

# ***PARTS LIST***

## **MF-7500D Series PARTS LIST**

下記 URL (PARTS Website/PC サイト) より、便利な検索機能のついた Web Parts Book をご利用頂けます。  
ご利用には会員登録が必要です。(無料)

<https://juki.aftama.com/JUKI/JA>

You can use a Web Parts Book with a convenient search function from the URLs (PARTS Website/PC-site)  
below. To use the PARTS Website, free membership registration is required.

<https://juki.aftama.com/JUKI/EN>

## HOW TO MAKE USE OF THIS PARTS LIST

### 1.Explanation of codes

1)"\*" mark.....means this part is changed from the previous parts book.

As to the details of the change, refer to the "List for information of change".

2)"#01".....refer to "Note" explanation at bottom of page.

### 2.Codes on the "Qty" column

- Each numeral indicates the number of parts required.
- "0.1" and "2.5" indicate the length (in meters) of the respective parts.

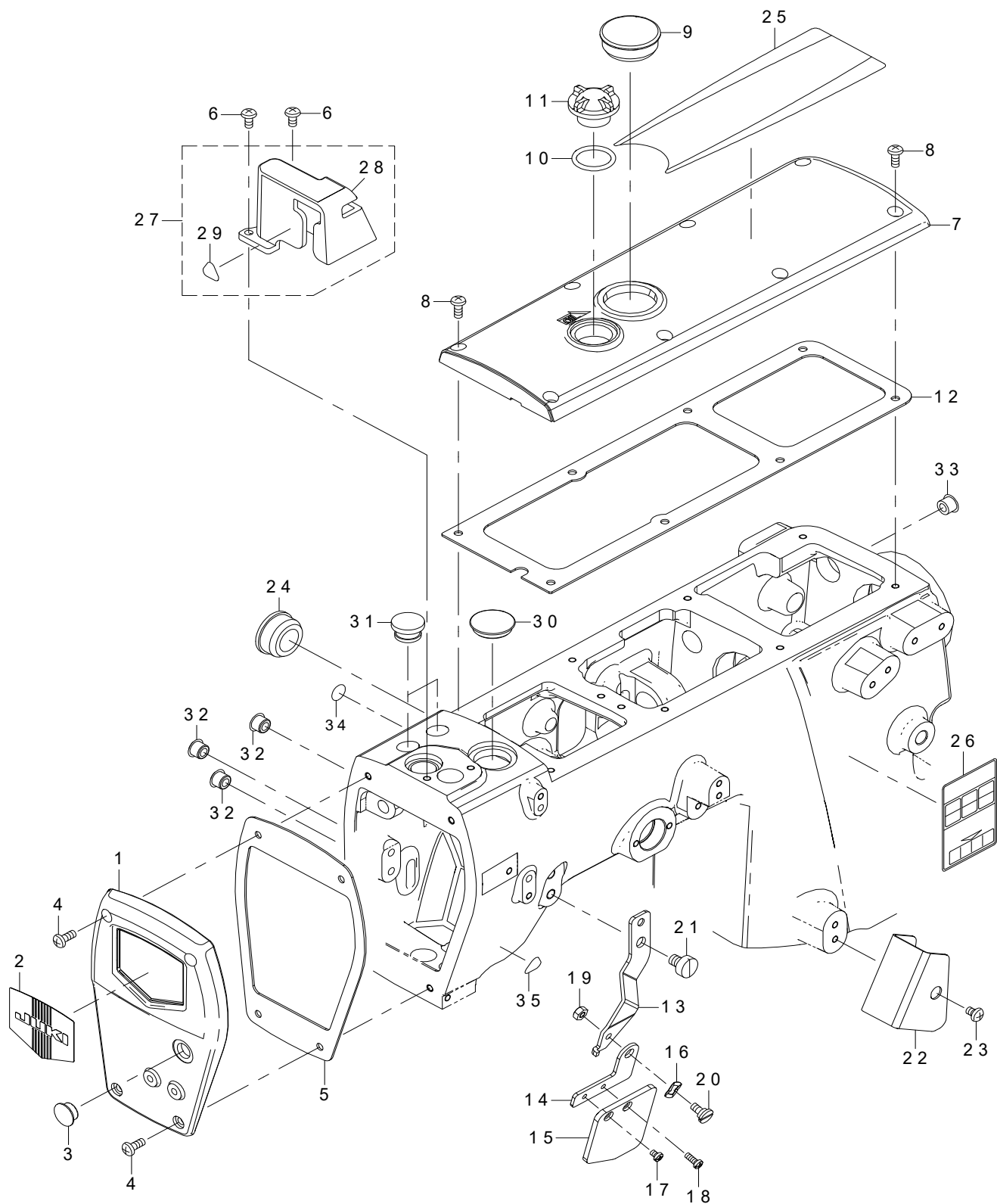
3.Parentheses mean that the corresponding part is a subpart that constructs an assembly part.

4.Dotted lines on the Figures indicate assembly parts.

# CONTENTS

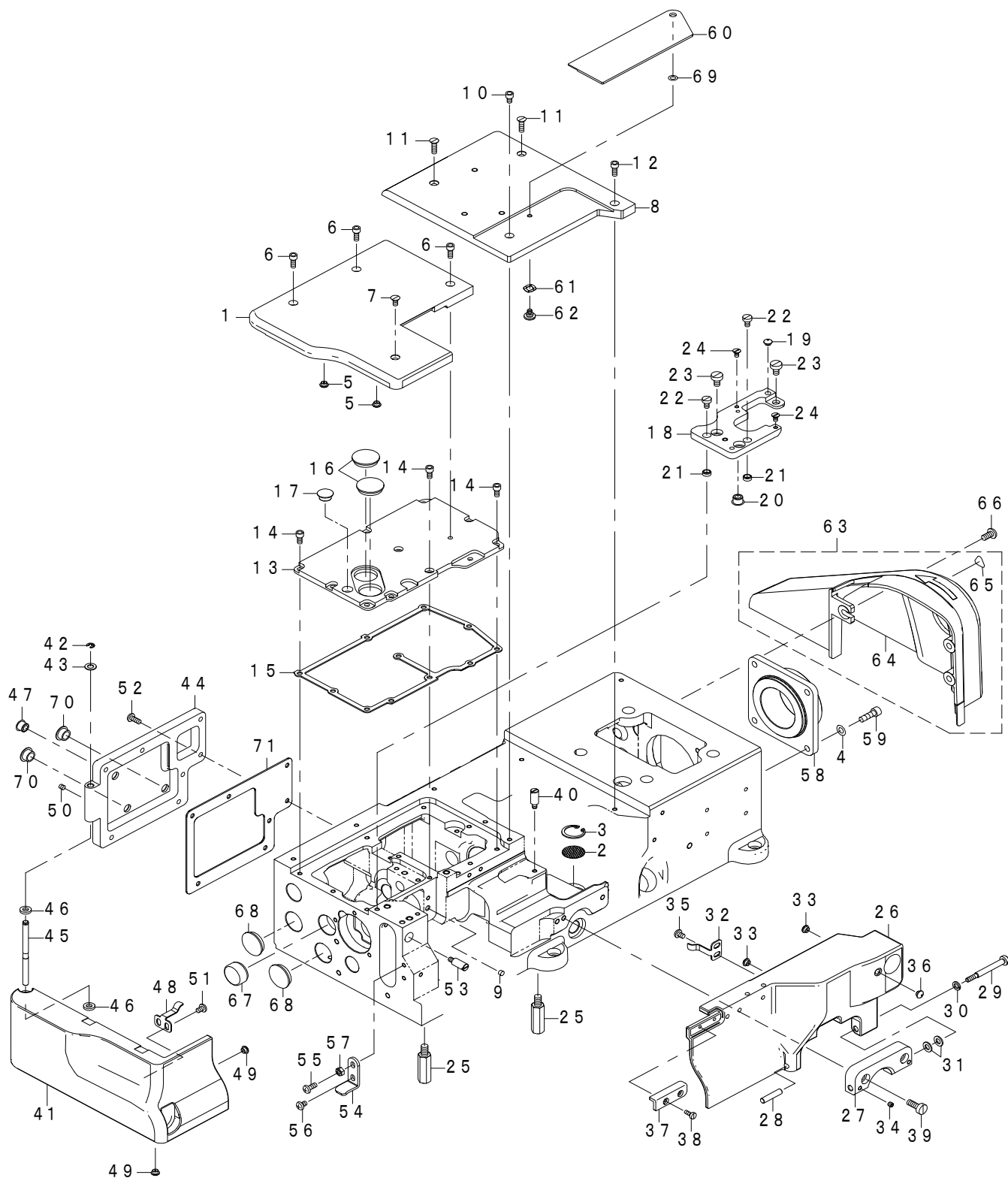
1. MISCELLANEOUS COVER COMPONENTS (1).....	1
2. MISCELLANEOUS COVER COMPONENTS (2).....	3
3. MAIN SHAFT COMPONENTS.....	5
4. NEEDLE BAR & PRESSER COMPONENTS .....	7
5. FEED DRIVE COMPONENTS (1).....	9
6. FEED DRIVE COMPONENTS (2).....	11
7. THREAD TAKE-UP LEVER COMPONENTS .....	13
8. SPREADER COMPONENTS.....	15
9. LOWER THREAD CAM COMPONENTS.....	17
10. NEEDLE GUARD COMPONENTS .....	19
11. LOOPER COMPONENTS.....	20
12. THREAD TENSION COMPONENTS.....	21
13. LUBRICATION COMPONENTS .....	23
14. THREAD STAND COMPONENTS.....	25
15. GAUGE PARTS COMPONENTS.....	27
16. NEEDLE COOLING COMPONENTS.....	29
17. ACCESSORIES PARTS COMPONENTS.....	31
18. LIST FOR INFORMATION OF CHANGE.....	33
NUMERICAL INDEX OF PARTS.....	34

# 1. MISCELLANEOUS COVER COMPONENTS (1)



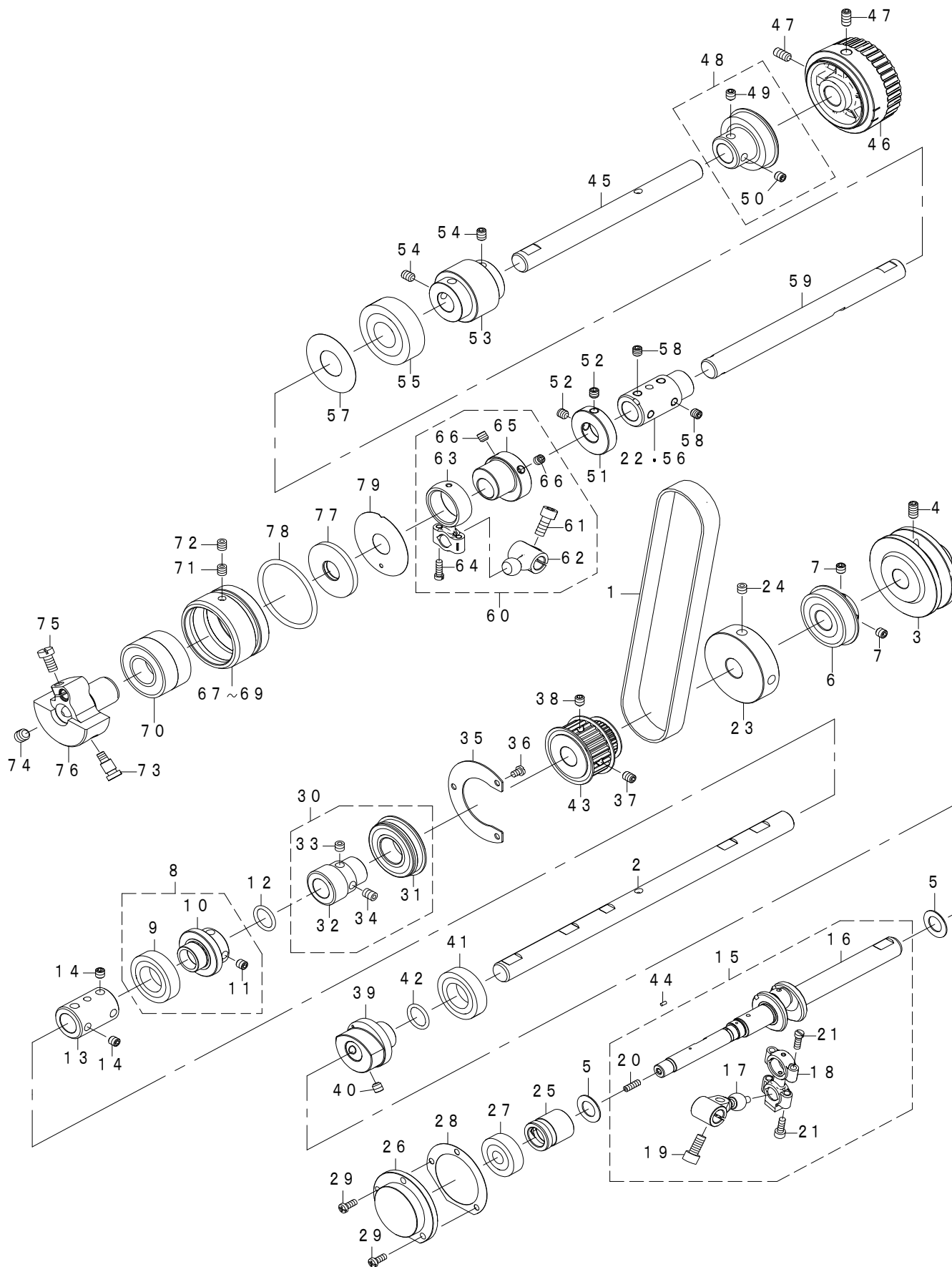
REF.NO	NOTE	PART NO	DESCRIPTION	Qty
1		700-01411	FACE COVER	1
2		229-02506	PLATE	1
3		TA-1050504-R0	RUBBER PLUG	1
4		SM-4041055-SP	SCREW	4
5		700-01416	GASKET H	1
6		SM-4040855-SP	SCREW	2
7		700-01409	TOP COVER	1
8		SM-4041055-SP	SCREW	8
9		107-53309	WINDOW PLATE RUBBER PLUG	1
10		RO-1952401-00	O-RING	1
11		229-24708	OIL SIGHT WINDOW	1
12		133-00801	GASKET T	1
13		700-01421	BRACKET HOLDER	1
14		400-33341	BRACKET	1
15		133-01700	PROTECTION SHIELD	1
16		WZ-0641510-KP	WAVED WASHER 6.4X11X0.3	1
17		SM-4030455-SN	SCREW	1
18		SM-4030855-SN	SCREW M3 L=8.0	1
19		NM-6040000-SN	NUT M4	1
20		SD-0640246-SP	SHOULDER SCREW D=6.35 H=2.4	1
21		SM-4060801-SE	SCREW	1
22		700-01422	THREAD COVER	1
23		SM-4040655-SP	SCREW M4 L=6	1
24		TA-2351004-R0	RUBBER PLUG	1
25		700-01430	SEMI DRY LABEL	1
26		CM-3012000-01	SAFETY LABEL S	1
27		700-01837	NEEDLE BAR GUARD ASSY	1
28		700-01407	NEEDLE BAR GUARD	(1)
29		CM-3002000-01	FINGER INJURY CAUTION LABEL (16)	(1)
30		TA-2050406-R0	RUBBER PLUG	1
31		TA-1250705-R0	RUBBER PLUG	2
32		TA-0850604-R0	RUBBER PLUG	3
33		TA-0850604-R0	RUBBER PLUG	1
34		229-01805	GROUND MARK	1
35		CM-3002000-01	FINGER INJURY CAUTION LABEL (16)	1

## 2. MISCELLANEOUS COVER COMPONENTS (2)



REF.NO	NOTE	PART NO	DESCRIPTION	Qty
1		700-01420	CLOTH PLATE LEFT	1
2		134-26903	MESH PLATE	1
3		RC-1900002-KP	C-RING 19(20.5)	1
4		WP-0531000-SD	WASHER M5	4
5		133-02302	RUBBER BUMPER	2
6		SM-6041002-TP	SCREW M4X0.7 L=10	3
7		SM-1040800-SP	SCREW	1
8		700-01978	CLOTH_PLATE_RIGHT	1
9		TA-0400301-M0	PLUG D=4X4.5 L=3	1
10		SM-6040602-TP	SCREW M4X0.7 L=6	1
11		SM-1041400-SP	SCREW	2
12		SM-6041002-TP	SCREW M4X0.7 L=10	1
13		700-01415	BED TOP COVER	1
14		SM-6040800-SP	SCREW	11
15		700-01423	GASKET B	1
16		TA-2050416-R0	RUBBER PLUG	2
17		TA-1050504-R0	RUBBER PLUG	1
18		700-01424	THROAT PLATE SUPPORT	1
19		133-02302	RUBBER BUMPER	1
20		TA-0850604-R0	RUBBER PLUG	1
21		400-82196	ADJUSTING COLLAR	2
22		SM-6040750-TP	SCREW M4 L=7	2
23		SM-6050800-SP	SCREW M5 L=8	3
24		133-02203	SCREW	2
25		133-01809	SUPPORT STUD	4
26		700-01426	SWING DOWN COVER	1
27	*	700-04972	HINGE	1
28		134-09800	DIFF LINK PIN	1
29		700-01414	SCREW	1
30		WS-0510002-KP	SPRING WASHER 5.1X9.2X1.3	1
31		WP-0531000-SC	WASHER 5.3X10X1	2
32		133-04308	LATCH SPRING	1
33		133-02302	RUBBER BUMPER	2
34		SM-8040412-TP	SET SCREW M4 L=4	2
35		SM-4040655-SP	SCREW M4 L=6	2
36		133-02302	RUBBER BUMPER	1
37		400-99371	BRACKET	1
38		SM-6030800-SP	SCREW M3X0.5 L=8	2
39		SM-6051400-SP	SCREW	2
40		133-02104	PIN	1
41		700-01418	SIDE COVER	1
42		RE-0300000-K0	E-RING 3	1
43		WP-0550800-SP	WASHER 5.5X10X0.8	1
44		700-01659	FEED CHAMBER COVER	1
45		133-05107	PIN FOR SIDE COVER	1
46		133-02708	RUBBER WASHER	2
47		TA-0850604-R0	RUBBER PLUG	1
48		133-04308	LATCH SPRING	1
49		133-02302	RUBBER BUMPER	2
50		SM-8040412-TP	SET SCREW M4 L=4	1
51		SM-4040555-SP	SCREW	2
52		SM-4041055-SP	SCREW	7
53		133-02104	PIN	1
54		133-04209	SUPPORT BRACKET	1
55		SM-4041055-SP	SCREW	1
56		SM-4040655-SP	SCREW M4 L=6	1
57		NM-6040000-SN	NUT M4	1
58		700-01436	HOUSING	1
59		SM-6051602-TP	SCREW M5X0.8 L=16	4
60		700-01976	SLIDE_COVER	1
61		WZ-0641510-KP	WAVED WASHER 6.4X11X0.3	1
62		SD-0600266-TP	SHOULDER SCREW D=6 H=2.6	1
63		700-01831	DRIVING BELT COVER ASSY	1
64		700-01830	DRIVING BELT COVER	(1)
65		CM-3002000-01	FINGER INJURY CAUTION LABEL (16)	(1)
66		SM-4051055-SP	SCREW	3
67		TA-2101002-R0	RUBBER PLUG	1
68		TA-2050416-R0	RUBBER PLUG	2
69		WP-0450000-SD	WASHER 4.5X8X0.5	1
70		TA-1050504-R0	RUBBER PLUG	2
71	*	133-04001	GASKET_F	1

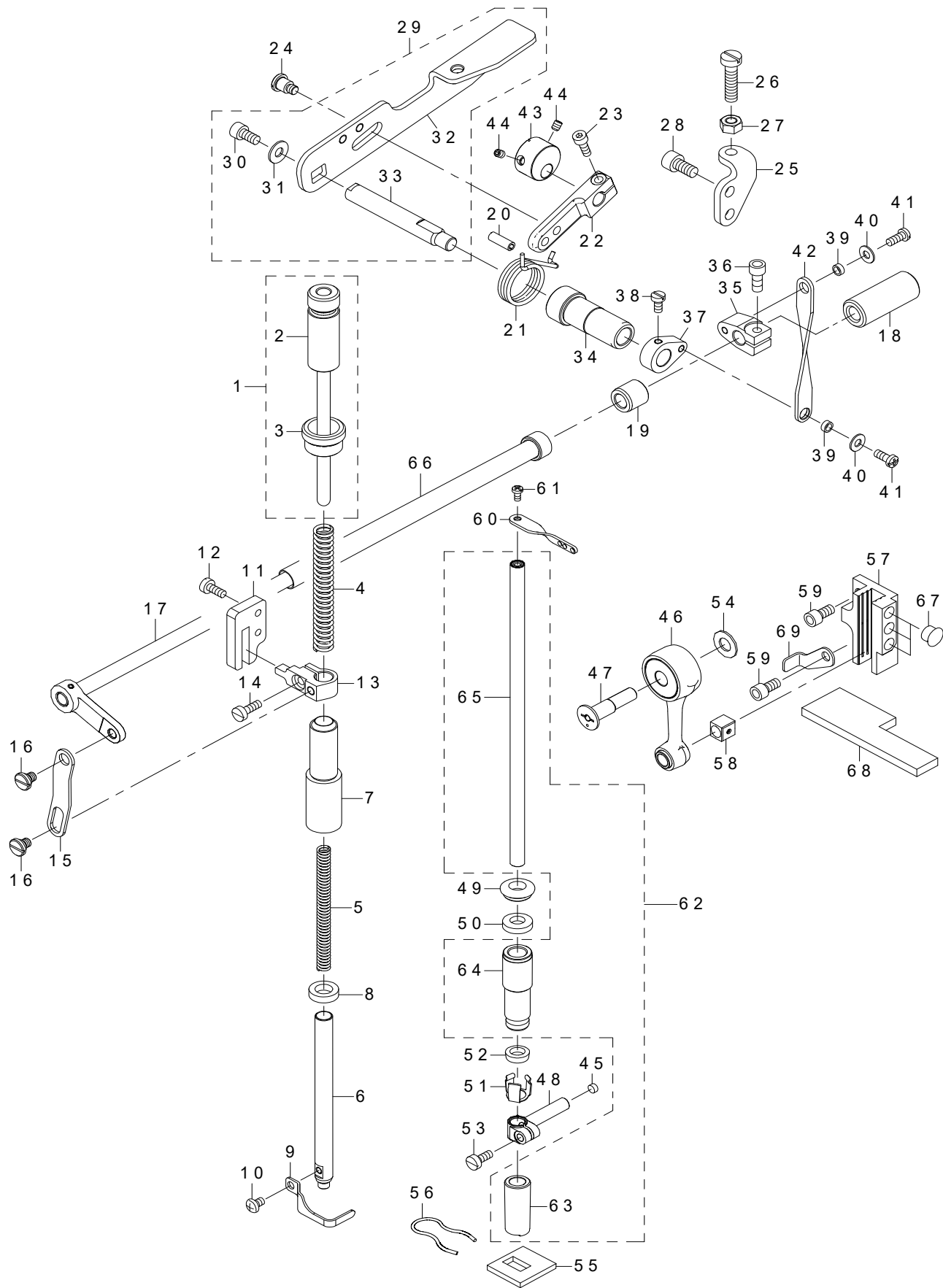
### 3. MAIN SHAFT COMPONENTS





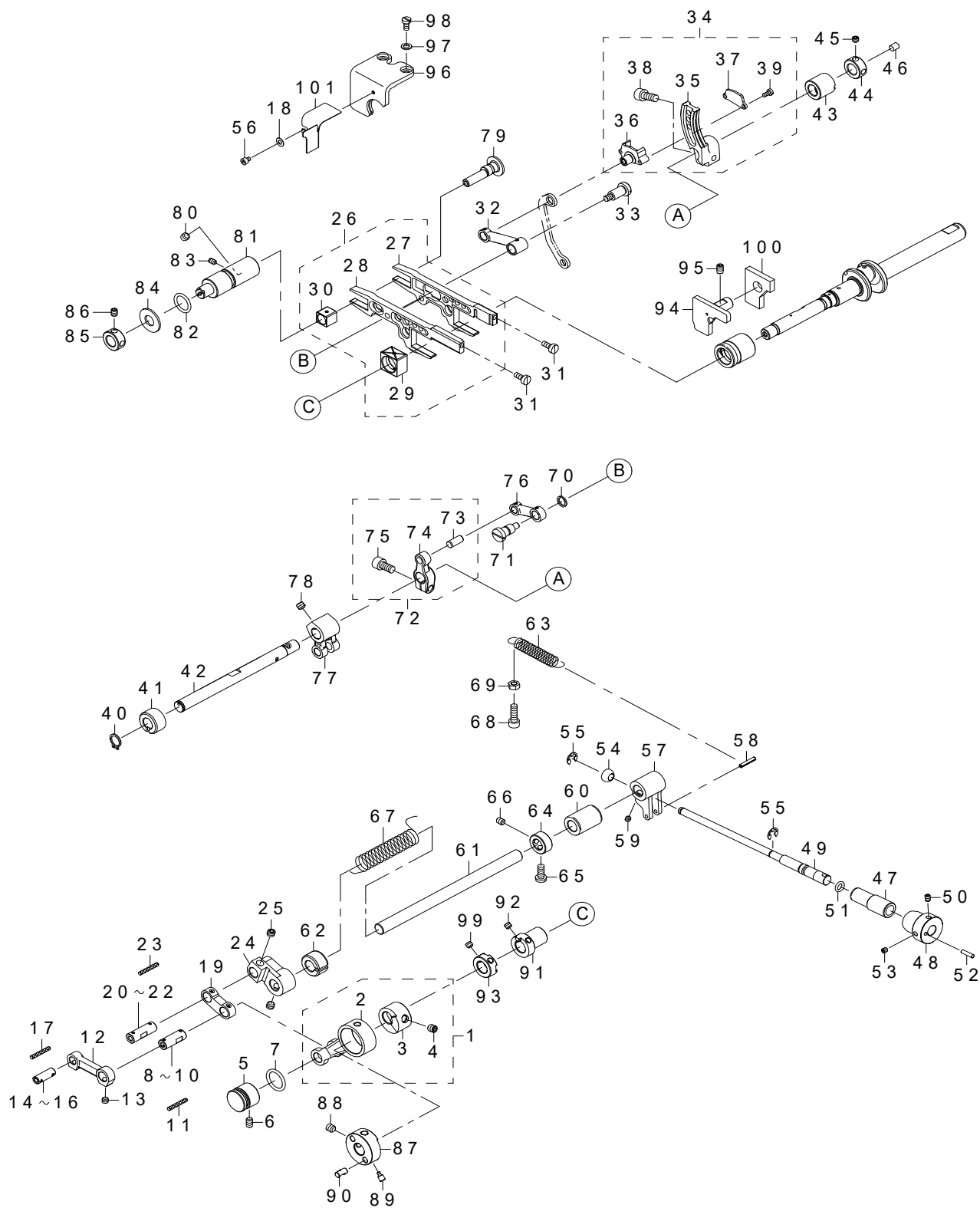
REF.NO	NOTE	PART NO	DESCRIPTION	Qty
1	*	133-08804	TIMING_BELT	1
2		700-01445	LOWER_MAINSHAFT_RIGHT	1
3		134-06707	LOWER_PULLEY	1
4		SM-8061212-TP	SCREW M6X12	2
5	*	400-17824	LOOPER LOD STOPPER	2
6	*	700-04640	COUPLING_E_ASSY	1
7		SM-8060612-TP	SCREW M6 L=6	2
8		133-08457	BEARING_ASSY_C	1
9		SB-1200015-00	BEARING	(1)
10		400-18922	COUPLING_C	(1)
11		SM-8060612-TP	SCREW M6 L=6	(2)
12		RO-1482402-00	RUBBER RING	1
13		133-07509	JOINT	1
14		SM-8060612-TP	SCREW M6 L=6	4
15	*	700-04630	LMS_LEFT_ASSY	1
16	*	700-04631	LOWER_MAINSHAFT_LEFT	(1)
17	*	700-04633	LOOPER_DRIVE	(1)
18	*	700-04632	LOOPER_ROD_DRIVE	(1)
19		SM-6061402-TP	SCREW M6 L=14	(1)
20		SM-8040412-TP	SET SCREW M4 L=4	(1)
21		133-24108	SCREW	(4)
22	#02	700-03331	COUPLING_B	1
23		700-03316	FLY_WHEEL	1
24		SM-8060612-TP	SCREW M6 L=6	2
25		700-01447	BUSHING_LMS_MIDDLE	1
26		700-01448	BUSHING_LMS_LEFT	1
27		SB-1100023-00	BEARING	1
28		133-08705	GASKET FOR BUSHING LEFT	1
29		SM-4041055-SP	SCREW	3
30	*	700-04489	LMS_WORM_ASSY	1
31	*	700-04484	BEARING	(1)
32		133-08507	COUPLING D	(1)
33		SM-8060842-TP	SCREW M6 L=8	(1)
34		SM-8060552-TP	SCREW M6 L=5	(1)
35		700-01451	THRUST_PLATE	1
36		SM-4040655-SP	SCREW M4 L=6	3
37		SM-8060812-TP	SCREW M6 L=8	1
38		SM-8060842-TP	SCREW M6 L=8	1
39		700-01453	BEARING HOLDER	1
40		SM-8060612-TP	SCREW M6 L=6	2
41		SB-1200015-00	BEARING	1
42		RO-1482402-00	RUBBER RING	1
43		700-04184	LMS_SPROCKET	1
44		400-35711	OIL WICK	2
45		700-01437	UPPER_MAINSHAFT_RIGHT	1
46		700-01439	UPPER_PULLEY	1
47		SM-8061212-TP	SCREW M6X12	2
48		133-07251	BEARING ASSY A	1
49		SM-8060842-TP	SCREW M6 L=8	(1)
50		SM-8060612-TP	SCREW M6 L=6	(1)
51		700-01443	COLLAR	1
52		SM-8060612-TP	SCREW M6 L=6	2
53		133-07301	UMS_SPROCKET	1
54		SM-8060812-TP	SCREW M6 L=8	4
55		SB-1200022-00	BEARING	1
56		700-01440	COUPLING_B	1
57		700-01638	BEARING_COVER_PLATE	1
58		SM-8060612-TP	SCREW M6 L=6	4
59		700-01454	UPPER_MAINSHAFT_LEFT_DRY	1
60		700-01442	TAKE_UP_ROD_ASSY	1
61		SM-6061402-TP	SCREW M6 L=14	(1)
62		700-01535	CRANK	(1)
63		700-01536	ROD	(1)
64		133-24108	SCREW	(2)
65		700-01444	TAKE_UP_ECCENTRIC	(1)
66		SM-8060612-TP	SCREW M6 L=6	(2)
67	#01	400-78278	HOUSING_A	1
68	#01	400-78279	HOUSING_B	1
69	#01	400-78280	HOUSING_C	1
70		SB-1200019-00	BEARING	1
71		SM-8060842-TP	SCREW M6 L=8	1
72		SM-8060612-TP	SCREW M6 L=6	1
73		133-09208	SCREW_FOR_COUNTERWEIGHT	1
74		SM-8080812-TP	SCREW M8X8	1
75		SM-6061200-SP	SCREW	1
76		700-01432	COUNTER_WEIGHT_DRY	1
77		400-78282	OIL SEAL	1
78		RO-4453001-00	RUBBER RING	1
79		400-81965	OIL_BLOCK_PLATE	1
		NOTE	#01....SELECTIVE PARTS #02....FOR UT35,UT37	

#### 4. NEEDLE BAR & PRESSER COMPONENTS



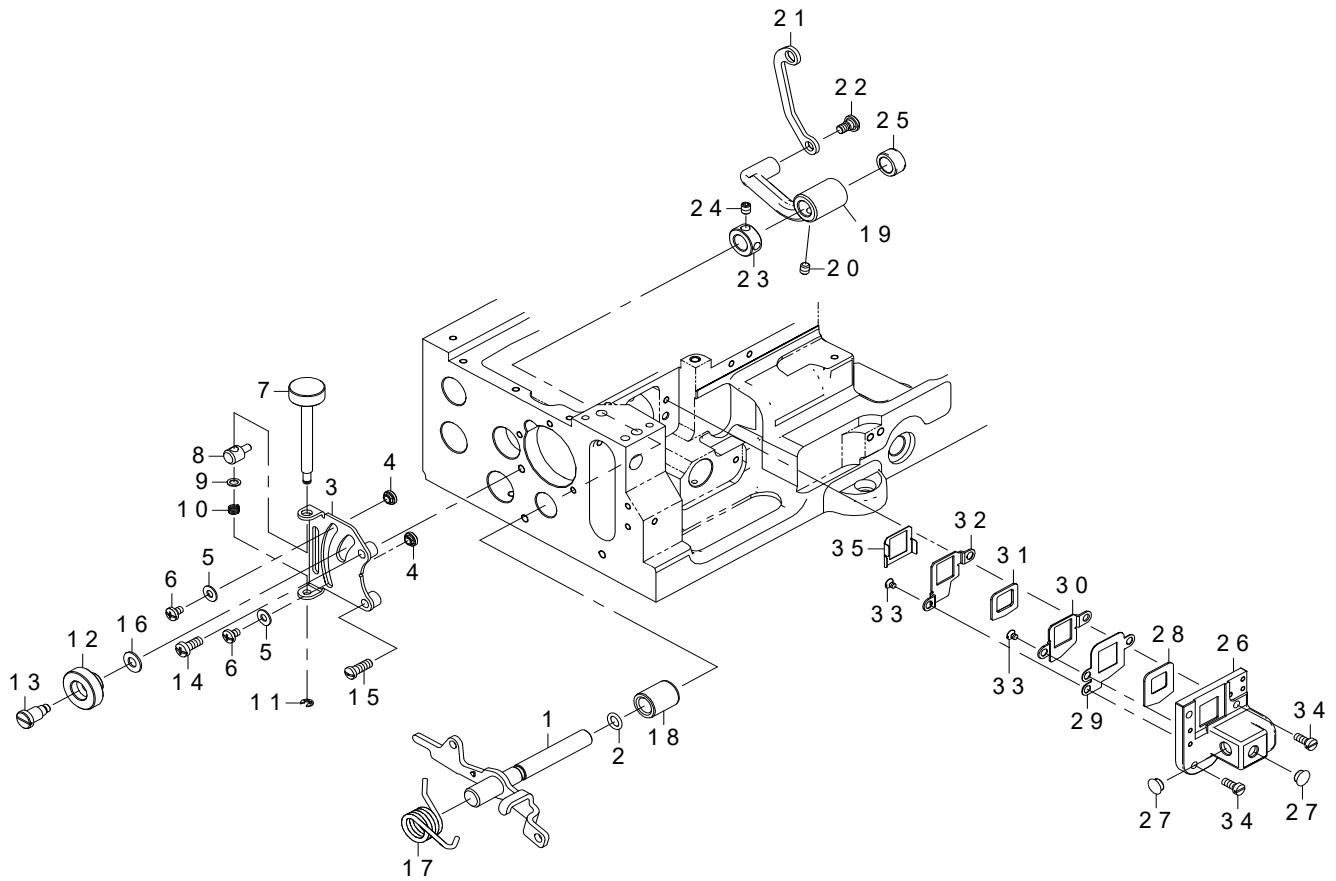
REF.NO	NOTE	PART NO	DESCRIPTION	Qty
1		400-70574	ADJ_SCREW_P_B_NUT_ASSY	1
2		400-70573	ADJ_SCREW_P_B_ASSY	(1)
3		133-13101	LOCKING NUT	(1)
4		133-13309	SPRING PRESSER BAR A	1
5		700-01480	SPRING_PRESSER_BAR_B	1
6		700-01481	PRESSER_BAR	1
7		700-01499	BUSHING_PRESSER_BAR	1
8		133-15908	OIL SEAL	1
9		700-01483	FINGER_GUARD	1
10		SM-4040655-SP	SCREW M4 L=6	1
11		133-13804	GUIDE PLATE	1
12		SM-6041000-SP	SCREW M4 L=10	2
13		700-01485	PRESSER_BAR_BRACKET	1
14		SM-6041200-SP	SCREW M4 L=12	1
15		133-14109	LINK	1
16		SD-0700206-TP	SHOULDER SCREW	2
17		400-78307	ASSY_LIFTER_SHAFT_DRY	1
18		700-01500	BUSHING_LIFTER_REAR	1
19		700-01486	BUSHING_LIFTER_FRONT	1
20		PS-0500142-KP	SPRING PIN	1
21		700-01498	SPRING_LIFTER_LEVER	1
22		700-01494	TENSION_RELEASE_LEVER	1
23		SM-6041202-TP	SCREW M4X0.7 L=12	1
24		SD-0700586-TP	SHOULDER SCREW	1
25		700-01495	LIFTER_LEVER_STOPPER	1
26		SM-6062550-TP	SCREW M6 L=25	1
27		NM-6060001-CP	NUT M6	1
28		SM-6061202-TP	SCREW M6 L=12	2
29		700-01487	LIFTER_LEVER_ASSY	1
30		SM-6051002-TP	SCREW M5X0.8 L=10	(1)
31		WP-0551016-SH	WASHER 5.5X13X1	(1)
32		700-01488	LIFTER_LEVER	(1)
33		700-01489	LIFTER_LEVER_SHAFT	(1)
34		700-01490	BUSHING_LIFTER_LEVER	1
35		700-01478	LIFTER_SHAFT_LEVER	1
36		SM-6051202-TP	SCREW M5X0.8 L=12	1
37		700-01477	LIFTER_LEVER_COLLAR	1
38		SM-6040800-SP	SCREW	1
39		700-01491	SPACER	2
40		WP-0450826-SC	WASHER 4.5X10X0.8	2
41		SM-4041055-SP	SCREW	2
42		700-01492	LIFTER_LEVER_LINK	1
43		700-01493	MINUTES_LIFTING_COLLAR	1
44		SM-8040512-TP	SCREW	2
45		400-78293	PLUG	1
46		700-01465	ASSY_NEEDLE_CRANK_ROD	1
47		700-01462	ECCENTRIC_PIN_DRY	1
48		400-78292	NEEDLE_BAR_CLAMP	1
49		400-78305	BUSHING_NB_U_PRESSER_A	1
50		400-78302	BUSHING_NB_U_FELT_A	1
51		400-78306	BUSHING_NB_U_PRESSER_B	1
52		400-78303	BUSHING_NB_U_FELT_B	1
53		SM-6041000-SP	SCREW M4 L=10	1
54		400-78291	WASHER	1
55		400-78301	BUSHING_NB_L_FELT	1
56		400-78304	BUSHING_NB_L_PRESSER	1
57		700-01463	NEEDLE_BAR_GUIDE	1
58		400-78295	SLIDE_BLOCK	1
59		SM-6051202-TP	SCREW M5X0.8 L=12	3
60		133-26806	NEEDLE BAR EYELET	1
61		SM-4030855-SN	SCREW M3 L=8.0	1
62		400-78317	ASSY_BUSHING_NB_DRY	1
63		400-78299	BUSHING_NB_LOWER	(1)
64		400-78300	BUSHING_NB_UPPER	(1)
65		400-78296	NEEDLE BAR ASSY	(1)
66		400-78320	PIPE_ASSY	1
67		TA-0850604-R0	RUBBER PLUG	4
68		400-87083	FELT	1
69		400-87101	FELT PRESSER	1

## 5. FEED DRIVE COMPONENTS (1)



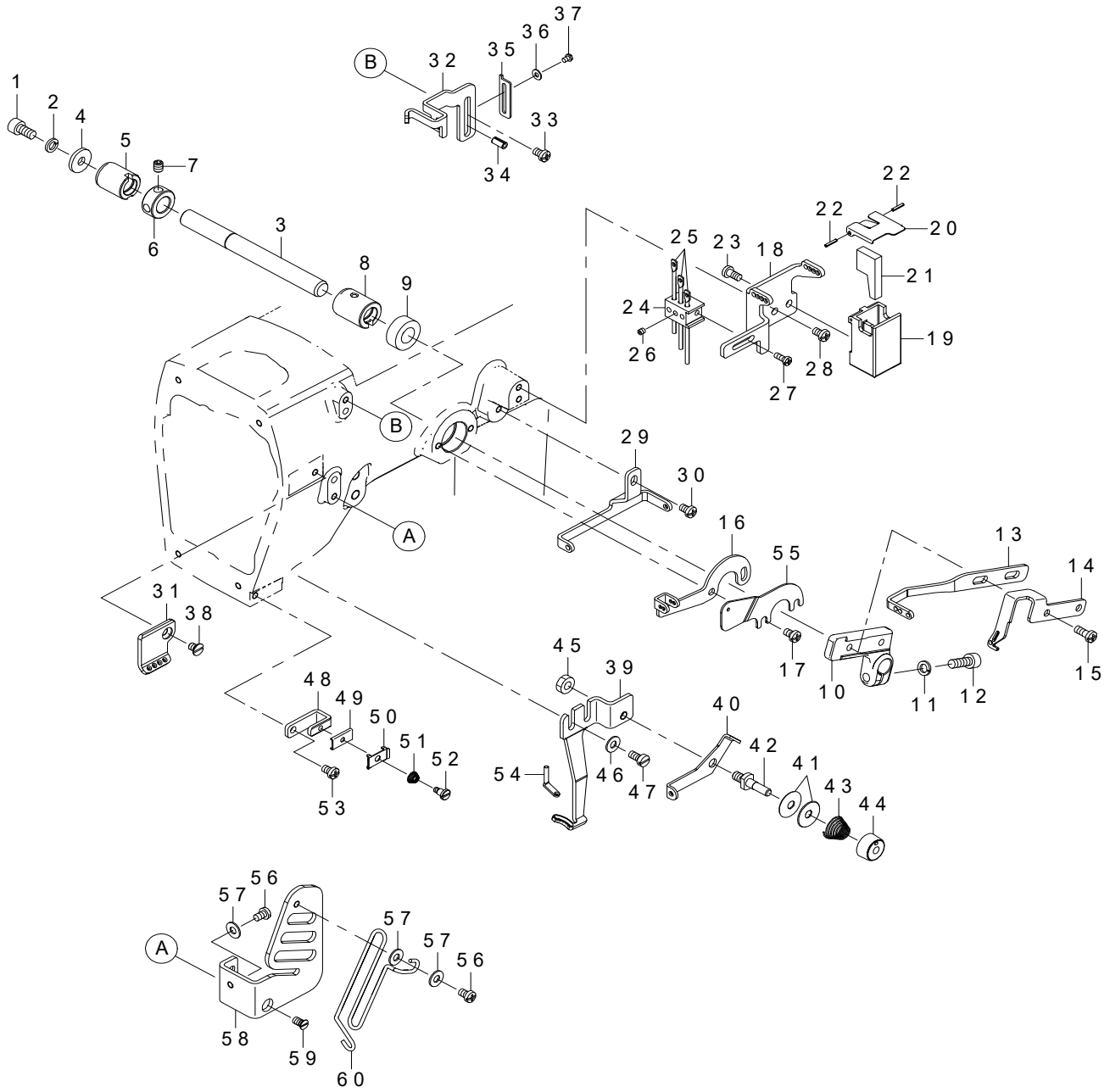
REF.NO	NOTE	PART NO	DESCRIPTION	Qty
1		700-01521	FEED ECCENTRIC HORIZON ASSY	1
2		700-01505	CRNAK ROD	(1)
3		700-01522	FEED ECCENTRIC HORIZON	(1)
4		SM-8060612-TP	SCREW M6 L=6	(2)
5		133-23803	CRANK ROD GUIDE	1
6		SM-8050812-TP	SCREW M5X8	1
7		RO-1582401-00	O-RING	1
8	#01	133-23308	FEED ADJ LINK PIN A	1
9	#01	133-23407	FEED ADJ LINK PIN B	1
10	#01	133-23506	FEED ADJ LINK PIN C	1
11		CQ-3030000-00	COTTON OIL WICK D=3	0.07
12		133-17201	MAIN FEED DRIVE LINK	1
13		SM-8050612-TP	SCREW M5X6	2
14	#01	133-18704	MAIN FEED CRANK PIN A	1
15	#01	133-18803	MAIN FEED CRANK PIN B	1
16	#01	133-18902	MAIN FEED CRANK PIN C	1
17		CQ-3030000-00	COTTON OIL WICK D=3	0.04
18		WP-0370316-SD	WASHER 3.7X8X0.3	1
19		133-17300	ADJUST LINK	1
20	#01	133-17409	FEED ADJ LINK PIN A	1
21	#01	133-17508	FEED ADJ LINK PIN B	1
22	#01	133-17607	FEED ADJ LINK PIN C	1
23		CQ-3030000-00	COTTON OIL WICK D=3	0.08
24		133-17706	MAIN FEED ADJ LEVER	1
25		SM-8060552-TP	SCREW M6 L=5	2
26		700-01528	FEED BAR ASSY	1
27		700-01959	MAIN FEED BAR	(1)
28		133-21708	DIFF FEED BAR	(1)
29		700-01509	SLIDE BLOCK	(1)
30		133-22409	SLIDE BLOCK	(1)
31		SM-6041000-SP	SCREW M4 L=10	2
32		133-19702	DIFF FEED LINK	1
33		SD-0801326-TH	SHOULDER SCREW D=8 H=13.2	1
34		133-19959	DIFF DRIVE ARM ASSY	1
35		133-19900	DIFF DRIVE ARM	(1)
36		133-20007	DIFF FEED PIN	(1)
37		133-20106	DIFF FEED PIN PLATE	(1)
38		SM-6061402-TP	SCREW M6 L=14	(1)
39		SM-6030600-SP	SCREW M3X0.5 L=6	(2)
40		RC-0100001-KP	C-RING 10 (9.3)	1
41		700-01510	BUSHING FEED FRONT	1
42		133-19009	ROCKER SHAFT	1
43		700-01511	BUSHING FEED REAR	1
44		CS-1000881-TP	THRUST COLLAR D=10 W=8	1
45		SM-8050612-TP	SCREW M5X6	2
46		TA-0500601-M0	PLUG D=5X5.4 L=6	1
47		133-18209	BUSHING FEED ADJUST	1
48		133-18001	KNOB FEED ADJUST	1
49		133-18100	SHAFT FEED ADJUST	1
50		SM-8040602-TP	SCREW M4X0.7 L=6	1
51		RO-0552001-00	O-RING	1
52		B3215-470-000	PIN	1
53		SM-8040412-TP	SCREW M4X4	1
54		133-18308	STOPPER FEED ADJUST	1
55		RE-0500000-K0	E-RING	2
56		SM-6030402-TP	SCREW M3X0.5 L=4	1
57		133-17904	FEED ADJUST LEVER	1
58		PS-0300162-KH	SPRING PIN 3X16	1
59		SM-8050612-TP	SCREW M5X6	1
60		700-01512	BUSHING FEED ADJUST	1
61		133-17805	FEED ADJUST SHAFT	1
62		700-01510	BUSHING FEED FRONT	1
63		133-18506	TORSIN SPRING	1
64		CS-1000881-TP	THRUST COLLAR D=10 W=8	1
65		SM-4051255-SP	SCREW	1
66		SM-8050612-TP	SCREW M5X6	1
67		B2556-280-000	SPRING	1
68		SM-6051602-TP	SCREW M5X0.8 L=16	1
69		NM-6050001-SC	NUT M5X0.8 TYPE1	1
70		RC-0741013-KP	C-RING 8 (7.4)	1
71		133-98409	SHOULDER SCREW	1
72		700-01513	MAIN FEED ROCKER ASSY	1
73		133-19405	MAIN FEED ROCKER PIN	(1)
74		700-01506	MAIN FEED ROCKER	(1)
75		SM-6061202-TP	SCREW M6 L=12	(1)
76		133-19504	MAIN FEED LINK	1
77		133-18605	MAIN FEED CRANK	1
78		SM-80606A2-TP	SCREW M6 L=6	2
79		133-22201	ECCENTRIC PIN	1
80		SM-8060552-TP	SCREW M6 L=5	1
81		133-22003	FEED BAR SHAFT	1
82		RO-1372301-00	O-RING	1
83		SM-8040612-TP	SCREW M4 L=6	1
84		133-22102	WASHER FEED BAR SHAFT	1
85		CS-1000881-TP	THRUST COLLAR D=10 W=8	1
86		SM-8050612-TP	SCREW M5X6	2
87		700-01523	POSITIONING CAM HORIZON	1
88		SM-8060612-TP	SCREW M6 L=6	2
89		700-01524	FEED ECCENTRIC SCREW	1
90		700-01525	FEED ECCENTRIC PIN	1
91		700-01526	FEED ECCENTRIC	2
92		SM-8050412-TP	SCREW M5 L=4	1
93		700-01527	POSITIONING CAM VERTICAL	1
94		700-01507	FEED BAR GUIDE 1	1
95		SM-8050812-TP	SCREW M5X8	1
96		700-01508	FEED BAR GUIDE 2	1
97		WP-0480856-SP	WASHER 4.8X8.4X0.8	2
98		SM-6040800-SP	SCREW	2
99		SM-8050412-TP	SCREW M5 L=4	2
100		700-01532	FELT FOR FEED BAR GUIDE	1
101		700-01533	OIL PROTECTION SHIELD	1
	NOTE		#01....SELECTIVE PARTS	

## 6. FEED DRIVE COMPONENTS (2)



REF.NO	NOTE	PART NO	DESCRIPTION	Qty
1		400-40206	DIFF FEED LEVER ASSY	1
2		RO-0681901-00	O-RING	1
3		400-39630	PLATE DIFF FEED LEVER	1
4		133-21203	STOPPER DIFF ADJ	2
5		WP-0450826-SC	WASHER 4.5X10X0.8	2
6		SM-5040655-SN	SCREW	2
7		700-01530	SCREW	1
8		132-17708	DIFFERENTIAL FEED BLOCK	1
9		WP-0460556-SD	WASHER 4.6X7.5X0.5	1
10		131-23302	ADJUSTING SPRING	1
11		RE-0300000-K0	E-RING 3	1
12		132-17500	DIFFERENTIAL FEED LOCK NUT	1
13		132-17401	DIFFERENTIAL FEED HINGE SCREW	1
14		SM-4051255-SP	SCREW	1
15		SM-7051460-TP	SCREW M5 L=14	1
16		WP-0621016-SD	WASHER 6.2X13X1	1
17		700-01531	ADJUSTING LEVER SPRING	1
18		133-20304	BUSHING DIFF ADJ LEVER	1
19		133-20403	DIFF ADJ LEVER	1
20		SM-8050612-TP	SCREW M5X6	1
21		400-18443	DIFF ADJ LINK	1
22		310-13808	HINGE SCREW	1
23		CS-1000881-TP	THRUST COLLAR D=10 W=8	1
24		SM-8050612-TP	SCREW M5X6	2
25		133-23209	BUSHING DIFF ADJ LEVER	1
26		700-01589	NEEDLE GUARD BASE	1
27		TA-0750404-R0	PLUG D=7.5 L=3.5	2
28		700-01514	FEED BAR SEAL 1	1
29		700-01515	FEED BAR SEAL PLATE 1	1
30		700-01516	FEED BAR SEAL PLATE 2	1
31		700-01517	FEED BAR SEAL 2	1
32		700-01518	FEED BAR SEAL PLATE 3	1
33		SM-1030400-SP	SCREW M3 L=4	3
34		SM-6041000-SP	SCREW M4 L=10	3
35		700-03995	FEED_BAR_SEAL_PLATE_4	1

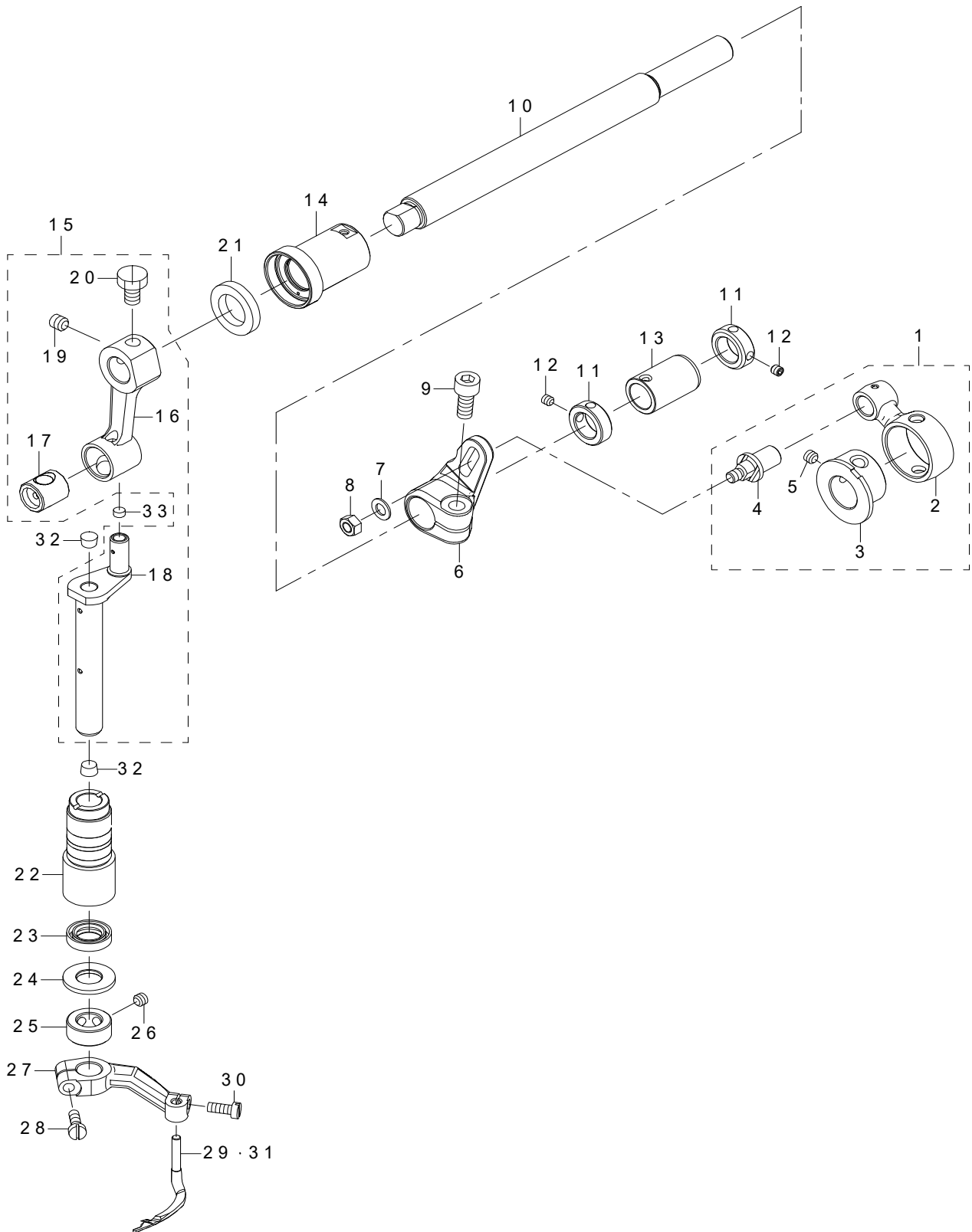
## 7. THREAD TAKE-UP LEVER COMPONENTS





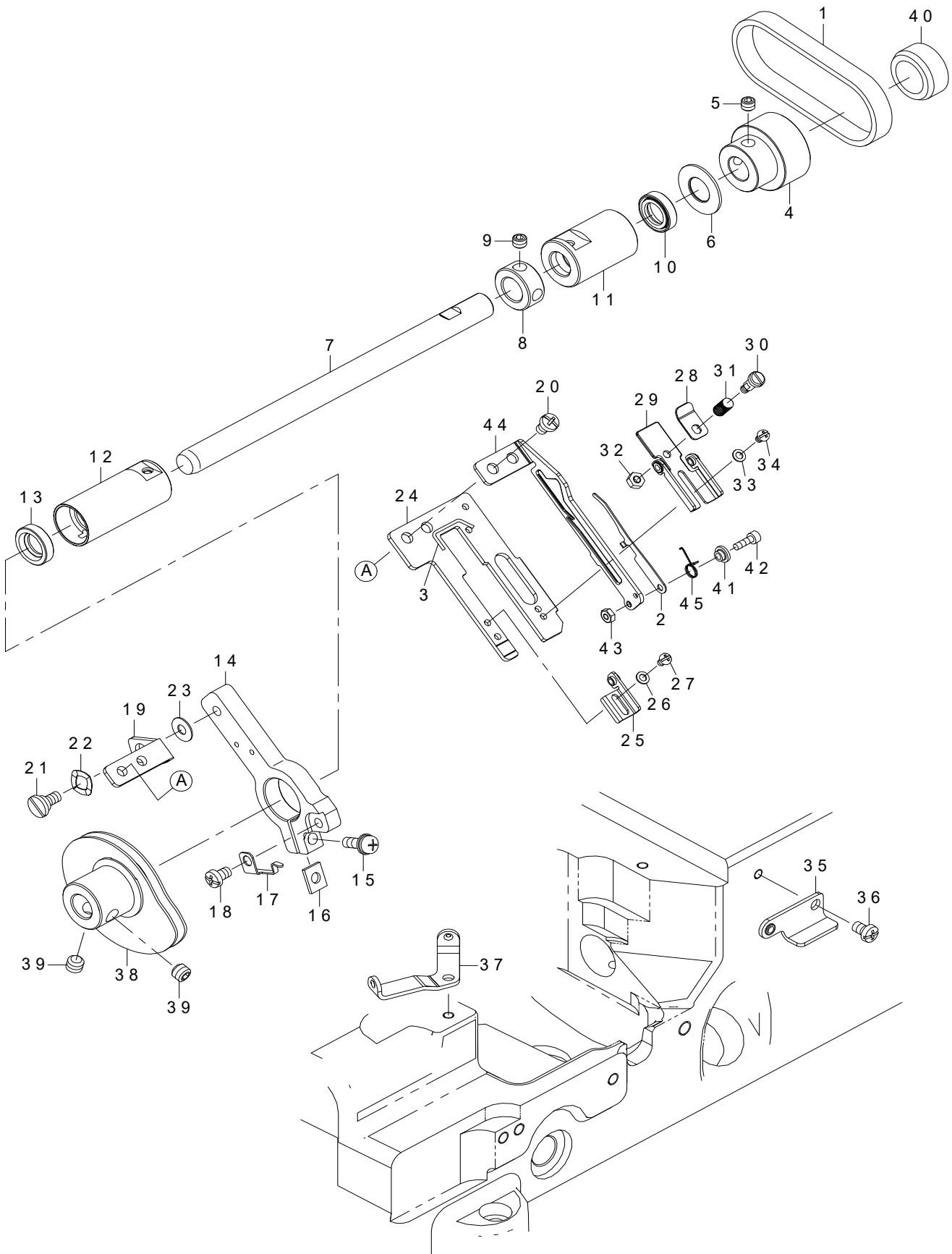
REF.NO	NOTE	PART NO	DESCRIPTION	Qty
1		SM-6051002-TP	SCREW M5X0.8 L=10	1
2		WS-0510002-KP	SPRING WASHER 5.1X9.2X1.3	1
3		700-01537	SHAFT	1
4		WP-0522016-SH	WASHER	1
5		133-24504	BUSHING REAR	1
6		CS-1000881-TP	THRUST COLLAR D=10 W=8	1
7		SM-8050612-TP	SCREW M5X6	2
8		133-24603	BUSHING FRONT	1
9		236-12609	FEED CHANGING SHAFT OIL SEAL	1
10		133-24702	HOLDER TAKE UP EYELET	1
11		WS-0510002-KN	SPRING WASHER M5	1
12		SM-6051402-TP	SCREW M5X0.8 L=14	1
13		700-01548	NDL THD TAKE UP	1
14		133-24900	UP LPR THREAD TAKE UP	1
15		SM-4041055-SP	SCREW	2
16		133-25006	THREAD GUIDE	1
17		SM-4040655-SP	SCREW M4 L=6	2
18		700-01540	THREAD TENSION GUIDE	1
19		133-48008	TANK	1
20		700-01546	SILICONE OIL TANK COVER	1
21		B9214-850-000	HEAT REMOVING FELT	1
22		PS-0150082-KH	SPRING PIN 1.5X8	2
23		ST-4040851-SN	TAPPING SCREW M4X8	2
24		133-25204	HOLDER	1
25		303-91601	NEEDLE THREAD EYELET	3
26		SM-8030312-TP	SCREW M3 L=3	3
27		SM-4030855-SN	SCREW M3 L=8.0	1
28		SM-4040655-SP	SCREW M4 L=6	2
29		700-01541	THREAD GUIDE	1
30		SM-4040655-SP	SCREW M4 L=6	1
31		700-01542	THREAD GUIDE	1
32		700-01543	NDL THD STRIKE OFF	1
33		SM-4040655-SP	SCREW M4 L=6	1
34		PS-0400082-KP	SPRING PIN TYPE W 4X8	1
35		133-26905	NDL THD STRIKE OFF R	1
36		WP-0280501-SC	WASHER M2.6	1
37		SM-4850455-SP	SCREW	1
38		SM-1040650-TP	SCREW	1
39		133-26301	THREAD GUIDE UPPER LPR	1
40		133-26400	THREAD GUIDE	1
41		229-45802	THREAD TENSION DISK	2
42		133-26509	TENSION POST	1
43		229-45505	THREAD TENSION SPRING	1
44		133-26608	TENSION NUT	1
45		NM-6050001-SC	NUT M5X0.8 TYPE1	1
46		WP-0450826-SC	WASHER 4.5X10X0.8	2
47		SM-6040800-SP	SCREW	2
48		133-25808	NIPPER PLATE SUPPORT	1
49		133-25907	NIPPER PLATE	1
50		133-26004	NIPPER GUIDE PLATE	1
51		133-26103	SPRING	1
52		133-26202	SHOULDER SCREW	1
53		SM-4040655-SP	SCREW M4 L=6	1
54		133-26707	THREAD GUIDE	1
55		400-85995	FINGER GUARD	1
56		SM-4040655-SP	SCREW M4 L=6	2
57		WP-0450801-SC	WASHER 4.5X10X0.8	3
58		700-01544	TAKE UP COVER	1
59		SM-1040750-TP	SCREW M4 L=7	1
60		700-01545	FINGER GUARD	1

## 8. SPREADER COMPONENTS



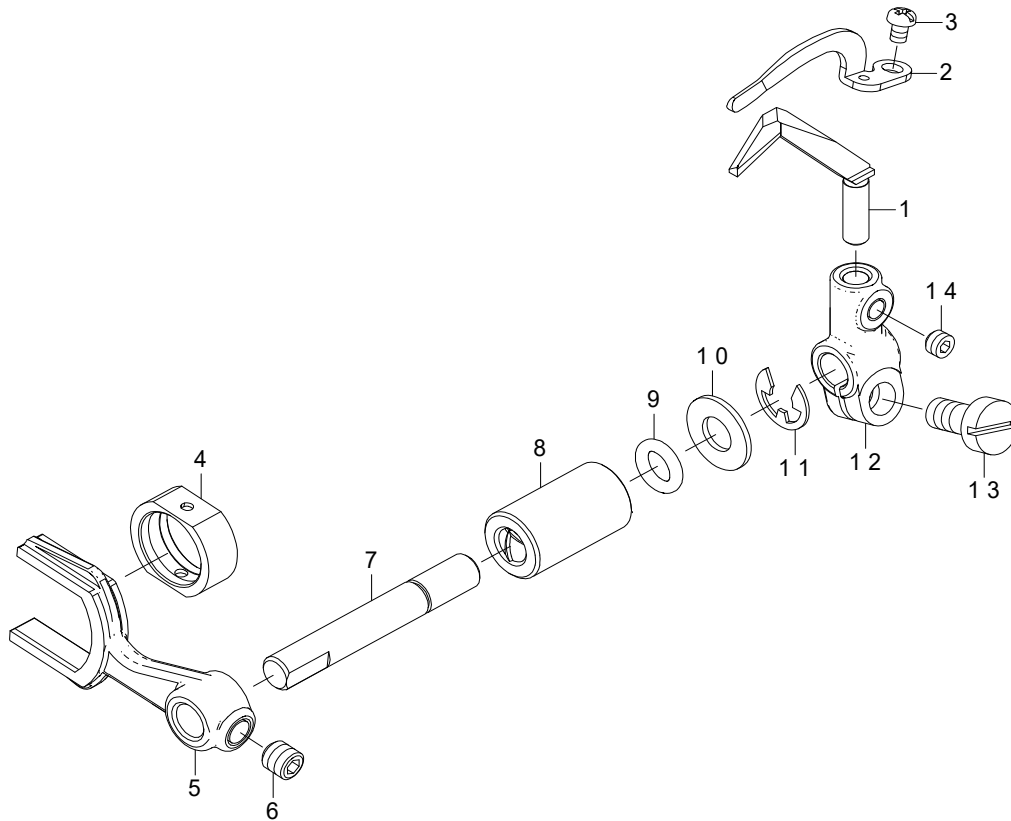
REF.NO	NOTE	PART NO	DESCRIPTION	Qty
1		400-78318	ASSY_UPPPER_LPR_MECH	1
2		400-78319	CONNROD_FOR_UPPER_LPR	(1)
3		133-28000	UPPER LOOPER ECCENTRIC	(1)
4		133-28208	STUD	(1)
5		SM-8050412-TP	SCREW M5 L=4	(2)
6		700-01555	DRIVING_ARM	1
7		WP-0550800-SP	WASHER 5.5X10X0.8	1
8		NM-6050001-SC	NUT M5X0.8 TYPE1	1
9		SM-6061402-TP	SCREW M6 L=14	1
10		700-01561	UPPER_LOOPER_SHAFT_DRY	1
11		133-99209	COLLAR	2
12		SM-8040412-TP	SET SCREW M4 L=4	4
13		133-29008	BUSHING REAR	1
14		700-01562	BUSHING_FRONT_DRY	1
15		400-78311	ASSY_UPPER_LPR_MECH_2	1
16		400-78312	CRANK_ROD	(1)
17		400-78313	UPPER_LOOPER_ROCKER	(1)
18		400-78314	U.L_SHAFT_VERTICAL	(1)
19		SM-8060612-TP	SCREW M6 L=6	(1)
20		SM-9061050-TP	SCREW M6 L=10	(1)
21		401-72767	OIL_SEAL	1
22		133-29206	BUSHING_VERTICAL	1
23		133-38900	OIL_SEAL	1
24		WP-1022016-SH	WASHER	1
25		CS-1000881-TP	THRUST_COLLAR	1
26		SM-8050412-TP	SCREW M5 L=4	2
27		133-28802	UPPER LOOPER HOLDER	1
28		SM-6041200-SP	SCREW M4 L=12	1
29	#01	700-04223	UPPER_LOOPER	1
30		SM-6041000-SP	SCREW M4 L=10	1
31	#02	700-04224	UPPER_LOOPER	1
32		TA-0600401-R0	PLUG	2
33		400-78293	PLUG	1
		NOTE	#01....EXCEPT TYPE TURKEY #02....TYPE TURKEY	

# 9. LOWER THREAD CAM COMPONENTS



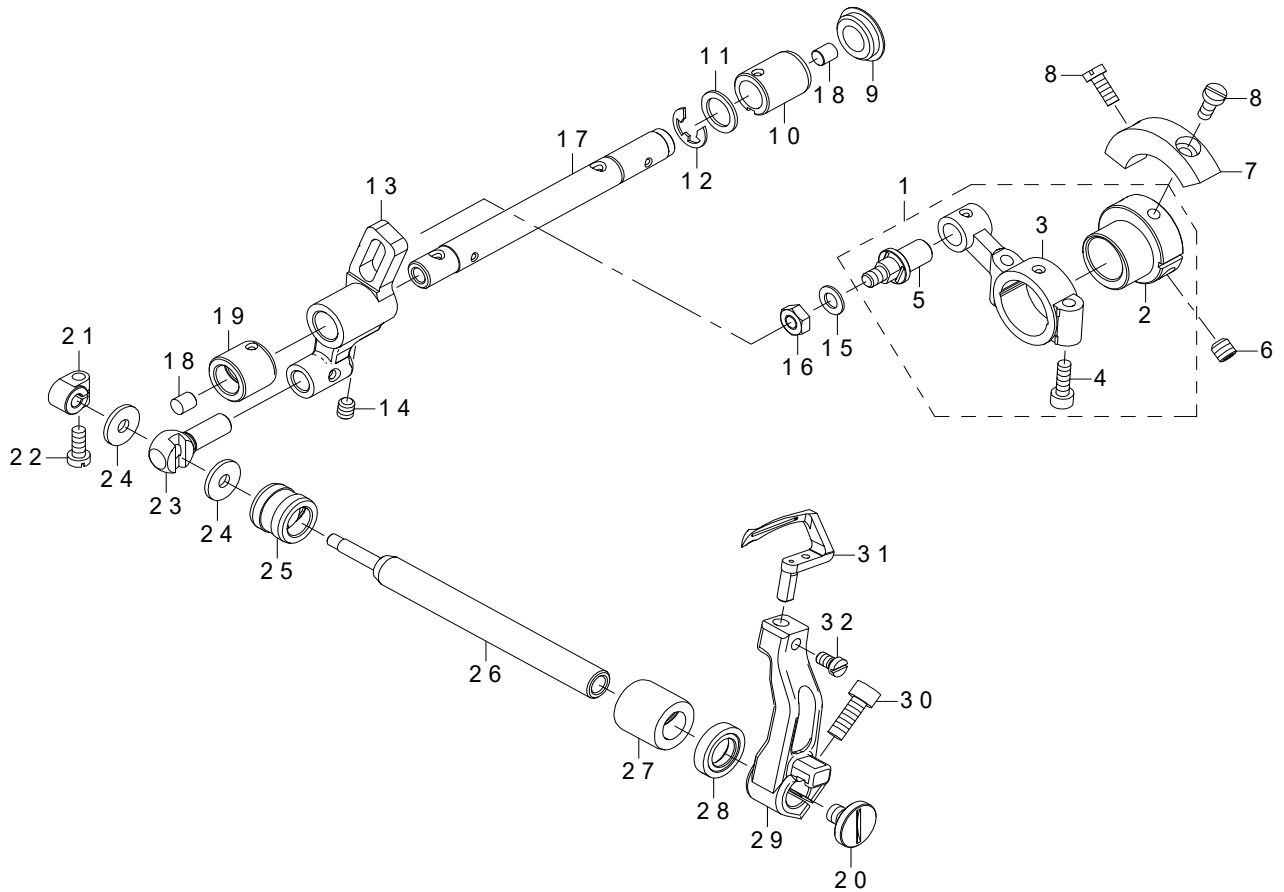
REF.NO	NOTE	PART NO	DESCRIPTION	Qty
1	*	700-01987	BELT TAKE UP	1
2		700-01582	THREAD GUIDE PLATE	1
3		400-87068	CAM THREAD CATCH	1
4		700-01580	SPROCKET TAKE UP	1
5		SM-8050612-TP	SCREW M5X6	2
6		700-01581	WASHER	1
7		700-01572	SHAFT TAKE UP	1
8		CS-1000881-TP	THRUST COLLAR D=10 W=8	1
9		SM-8050612-TP	SCREW M5X6	2
10		400-23441	OIL SEAL	1
11		700-01573	BUSHING A TAKE UP	1
12		400-23481	BUSHING B TAKE UP	1
13		400-23441	OIL SEAL	1
14		133-32309	BASE TAKE UP PLATE	1
15		SL-4041281-SC	SCREW M4 L=12	1
16		133-33208	WASHER	1
17		133-32903	SPRING	1
18		SM-4040655-SP	SCREW M4 L=6	1
19		133-32804	BRACKET	1
20		SM-4040655-SP	SCREW M4 L=6	2
21		SD-0640246-SP	SHOULDER SCREW D=6.35 H=2.4	1
22		WZ-0641510-KP	WAVED WASHER 6.4X11X0.3	1
23		WP-0410516-SD	PLAIN WASHER	1
24		700-01579	TAKE UP PLATE	1
25		401-00791	EYELET A ASSY	1
26		WP-0280500-SC	WASHER	1
27		SM-4850455-SP	SCREW	1
28		133-33307	LPR THD DISC UPPER	1
29		401-00793	LPR THD GUIDE BASE ASSY	1
30		133-33505	TENSION POST	1
31		133-33604	LOOPER CAM SPRING	1
32		NM-6030001-SC	NUT M3X0.5 TYPE1	1
33		WP-0280500-SC	WASHER	1
34		SM-4850455-SP	SCREW	1
35		700-01575	EYELET C ASSY	1
36		SM-4040655-SP	SCREW M4 L=6	1
37		133-33703	EYELET D	1
38		400-19335	ASSY TAKE UP	1
39		SM-8060552-TP	SCREW M6 L=5	2
40		TA-2101002-R0	RUBBER PLUG	1
41		700-01584	SPRING COLLAR	1
42		SM-6850802-TN	SCREW M2.5 L=8	1
43		NM-6850001-SC	NUT M2.5X0.45 TYPE1	1
44		700-01585	THREAD GUIDE	1
45		700-01583	THREAD GUIDE PLATE SPRING	1

## 10. NEEDLE GUARD COMPONENTS



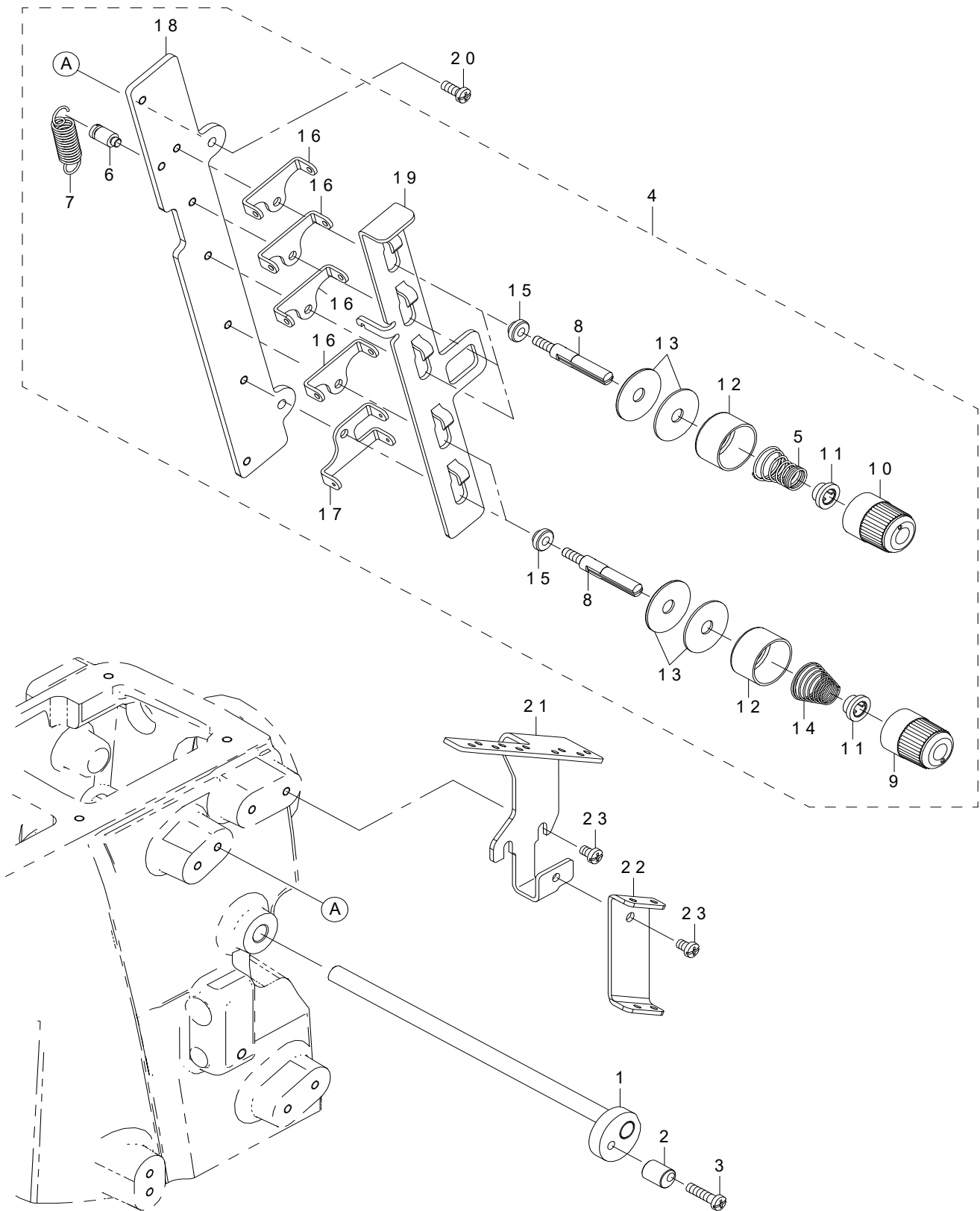
REF.NO	NOTE	PART NO	DESCRIPTION	Qty
1		400-52924	REAR NEEDLE GUARD	1
2		133-34701	FRONT NDL GUARD	1
3		SM-4850455-SP	SCREW	1
4		700-01592	NEEDLE GUARD BLOCK	1
5		700-01587	FORK NEEDLE GUARD	1
6		SM-8050612-TP	SCREW M5X6	1
7		700-01590	NEEDLE GUARD SHAFT	1
8		700-01591	BUSHING NEEDLE GUARD	1
9		RO-0552001-00	O-RING	1
10		WP-0621016-SD	WASHER 6.2X13X1	1
11		RE-0500000-K0	E-RING	1
12		700-01588	REAR NEEDLE GUARD HOLDER	1
13		SM-6051000-SP	SCREW	1
14		SM-8040312-TP	SCREW M4 L=3	1

# 11. LOOPER COMPONENTS



REF.NO	NOTE	PART NO	DESCRIPTION	Qty
1		133-37357	ECC LOOPER AVOID ASSY	1
2		133-37308	ECC LOOPER AVOID	(1)
3		133-37407	LOOPER ROD AVOID	(1)
4		SM-6041202-TP	SCREW M4X0.7 L=12	(2)
5		133-37506	PIN LOOPER AVOID	(1)
6		SM-8060612-TP	SCREW M6 L=6	2
7		133-38801	BALANCE WEIGHT LP	1
8		SM-6041000-SP	SCREW M4 L=10	2
9		TA-1600406-R0	PRUG	1
10		700-01601	BUSHING LPR RIGHT	1
11		WP-1021026-SH	WASHER	1
12		RE-0700000-K0	E-RING 7	1
13		133-37605	CRANK LOOPER AVOID	1
14		SM-8050612-TP	SCREW M5X6	1
15		WP-0550800-SP	WASHER 5.5X10X0.8	1
16		NM-6050001-SC	NUT M5X0.8 TYPE1	1
17		133-38504	LOOPER SHAFT AVOID	1
18		TA-0500601-M0	PLUG D=5X5.4 L=6	2
19		700-01602	BUSHING LPR LEFT	1
20		400-52522	SCREW	1
21		133-37704	COLLAR LOOPER AVOID	1
22		SM-6041000-SP	SCREW M4 L=10	1
23		133-37803	LOOPER AVOID PIN	1
24		WP-0461516-SH	WASHER	2
25		700-01603	BUSHING LPR SHAFT REAR	1
26		400-50448	LOOPER SHAFT	1
27		700-01604	BUSHING LPR SHAFT FRONT	1
28		133-38900	OIL SEAL	1
29		400-50449	LOOPER HOLDER	1
30		SM-6051402-TP	SCREW M5X0.8 L=14	1
31		133-37902	LOOPER	1
32		SM-6040750-TP	SCREW M4 L=7	1

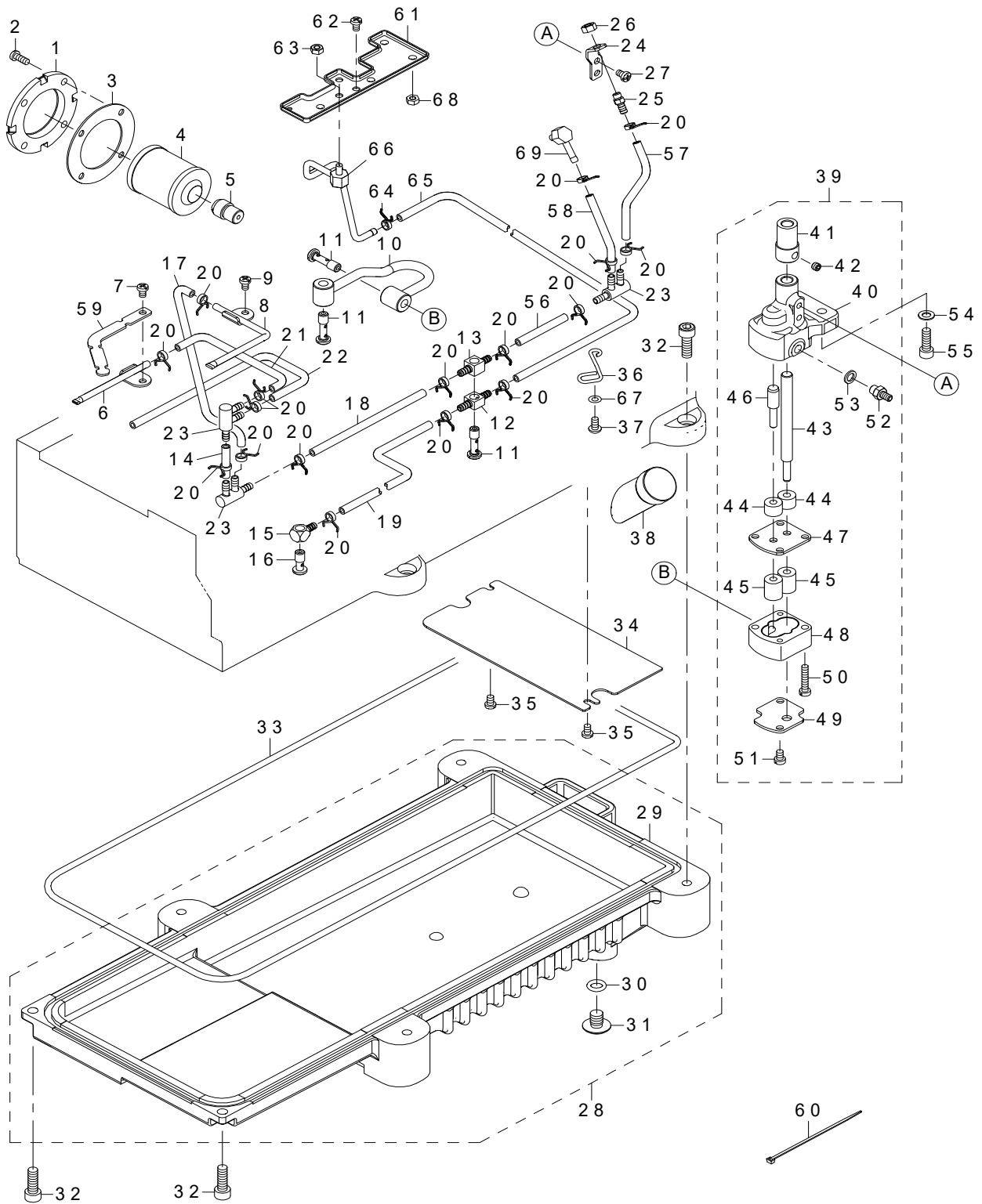
## 12. THREAD TENSION COMPONENTS





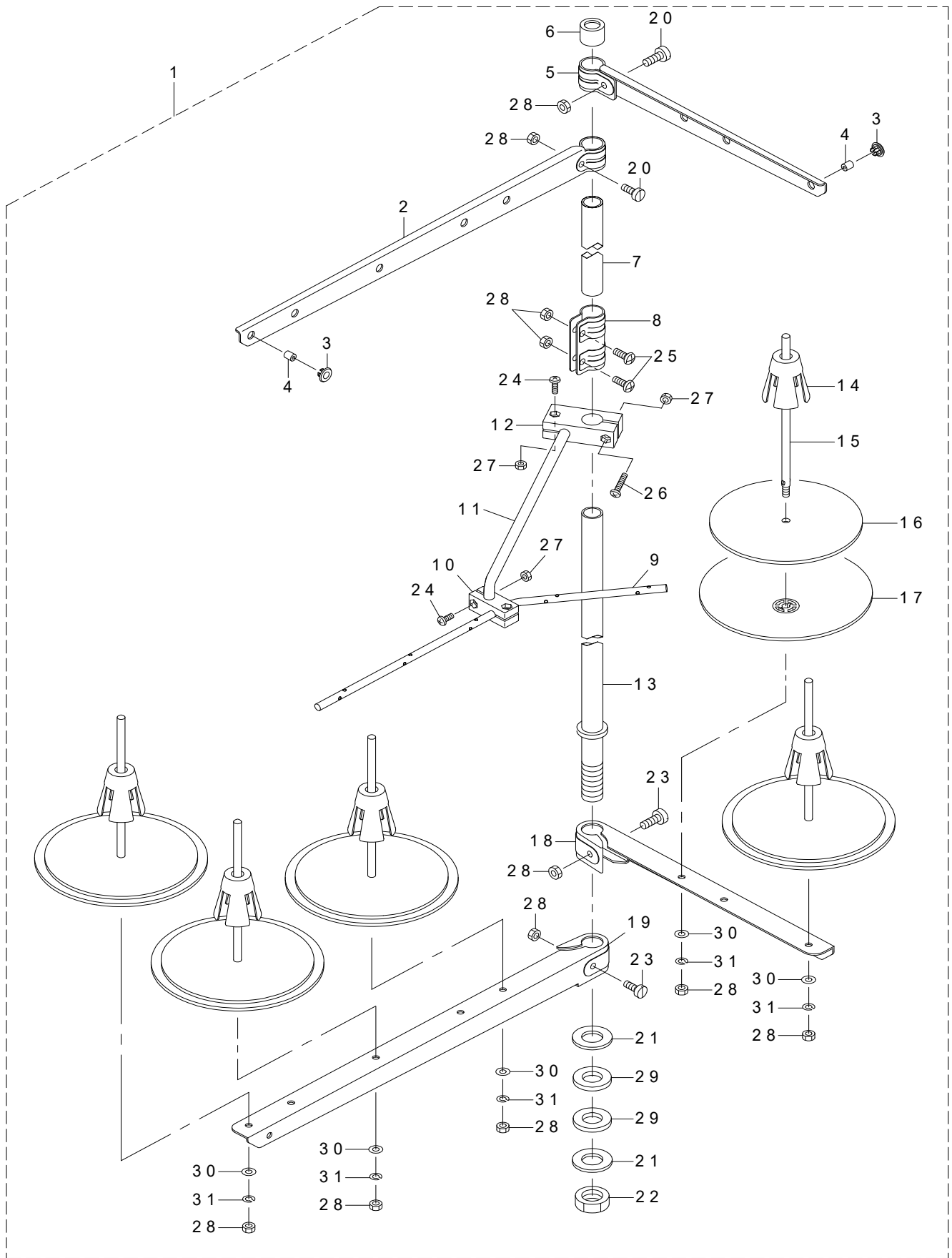
REF.NO	NOTE	PART NO	DESCRIPTION	Qty
1		700-01610	ASSY PULL OFF LEVER	1
2		400-65785	TENS RELEASE ADJ ECC	1
3		SM-4041655-SP	SCREW M4 L=16	1
4		700-01612	THREAD TENSION ASSY	1
5		131-40504	TENSION SPRING	(3)
6		133-40302	SHOULDER SCREW	(1)
7		260-19000	THREAD TENSION SPRING	(1)
8		700-01620	TENSION POST	(5)
9		400-42363	KNOB	(2)
10		400-42364	KNOB GREEN	(3)
11		400-42365	SPRING BUSHING	(5)
12		400-42366	THREAD TENSION DISK PRESSER	(5)
13		401-01602	THREAD TENSION DISC	(10)
14		401-02003	SPRING	(2)
15		700-01617	SPACER	(5)
16		700-01615	TENSION DISC EYELET A	(4)
17		700-01616	TENSION DISC EYELET B	(1)
18		700-01613	TENSION POST SUPPORT	(1)
19		700-01614	TENSION DISC SEPARATOR	(1)
20		SM-4041055-SP	SCREW	2
21		133-40005	THREAD GUIDE PLATE	1
22		133-40104	THREAD GUIDE	1
23		SM-4040655-SP	SCREW M4 L=6	3

# 13. LUBRICATION COMPONENTS



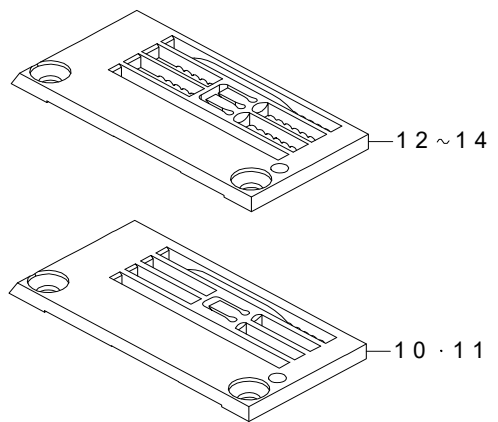
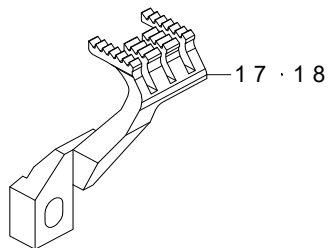
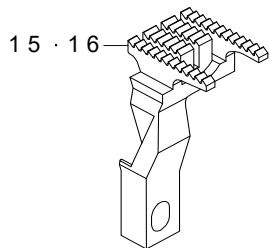
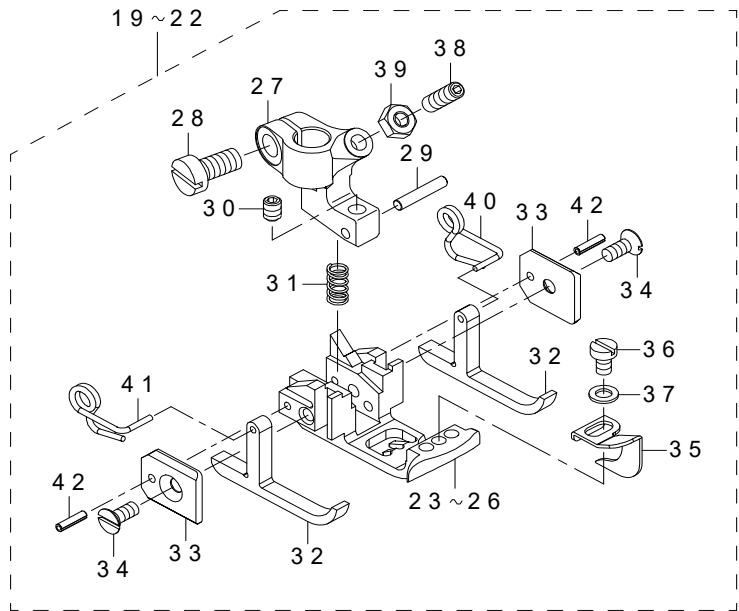
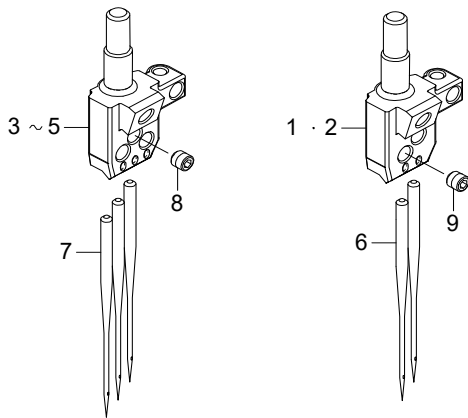
REF.NO	NOTE	PART NO	DESCRIPTION	Qty
1		133-45202	FILTER COVER	1
2		SM-4041055-SP	SCREW	4
3		133-44809	GASKET O	1
4		131-42500	CARTRIDGE FILTER	1
5		133-43801	FITTING FILTER	1
6		133-46556	ASSY_OIL_SUPPLY	1
7		SM-4040655-SP	SCREW M4 L=6	1
8		133-45855	OIL SUPPLY ASSY	1
9		SM-4040655-SP	SCREW M4 L=6	1
10		700-01634	ASSY_OIL_PIPE	1
11		SQ-2060442-SD	CONNECTING SCREW	3
12		SQ-0000454-MZ	CONNECTING SCREW	1
13		SQ-0000453-MZ	CONNECTING SCREW	1
14		BP-3000001-0R	VINYL PIPE	0.04
15		SQ-0000452-MZ	CONNECTING SCREW	1
16		SQ-2060441-SD	CONNECTING SCREW	1
17		BP-3000001-0R	VINYL PIPE	0.12
18		BP-3000001-0R	VINYL PIPE	0.12
19		BP-3000001-0R	VINYL PIPE	0.19
20		236-29306	PIPE STOPPER A	17
21		BP-3000001-0R	VINYL PIPE	0.1
22		BP-3000001-0R	VINYL PIPE	0.2
23		236-29504	DISTRIBUTOR	3
24		133-46705	CONNECTING_SCR_BRACKET	1
25		SQ-2050452-MZ	CONNECTING SCREW	1
26		NM-6050001-SC	NUT M5X0.8 TYPE1	1
27		SM-4040655-SP	SCREW M4 L=6	2
28		400-24405	ASSY_OIL_PAN	1
29		133-45509	OIL PAN	(1)
30		131-70105	RUBBER RING	(1)
31		131-71004	DRAIN SCREW	(1)
32		SM-6061802-TP	SCREW M6 L=18	6
33		133-45608	O RING	1
34		133-45905	COVER PLATE	1
35		SM-4040655-SP	SCREW M4 L=6	2
36		700-01636	OIL_TUBE HOLDER	1
37		SM-4040855-SP	SCREW	1
38		133-46101	OIL SIGHT GAUGE	1
39		133-45459	ASSY_PUMP_2-STAGE	1
40		133-43108	OIL PUMP HOUSING	(1)
41		133-43009	WORM WHEEL	(1)
42		SM-8050412-TP	SCREW M5 L=4	(2)
43		133-45400	OIL PUMP SHAFT LARGE	(1)
44		132-28309	OIL PUMP PINION	(2)
45		132-28200	OIL PUMP PINION	(2)
46		132-27905	GEAR PUMP SHAFT	(1)
47		133-43405	OIL PUMP SPACER	(1)
48		133-43207	OIL PUMP CASING	(1)
49		133-43306	OIL PUMP COVER	(1)
50		SM-6042000-SP	SCREW	(2)
51		SM-6040600-SP	SCREW M4 L=6	(2)
52		SQ-2060451-MZ	CONNECTING SCREW	(1)
53		400-04749	GASCKET	(1)
54		WP-0550800-SP	WASHER 5.5X10X0.8	2
55		SM-6051602-TP	SCREW M5X0.8 L=16	2
56		BP-3000001-0R	VINYL PIPE	0.05
57		BP-3000001-0R	VINYL PIPE	0.14
58		BP-3000001-0R	VINYL PIPE	0.1
59		700-01639	PIPE HOLDER	1
60		EA-9500B01-00	CABLE BAND	5
61		700-01631	OIL_SAUCER	1
62		SM-4040655-SP	SCREW M4 L=6	2
63		NM-6040000-SN	NUT M4	1
64		236-29306	PIPE STOPPER A	1
65		BP-3000001-0R	VINYL PIPE	0.5
66		133-45053	ASSY_OIL_SUPPLY_FOR_TOP	1
67		WP-0450801-SC	WASHER 4.5X10X0.8	1
68		NM-6040000-SN	NUT M4	1
69		700-01975	ASSY_OIL_SUPPLY	1

# 14. THREAD STAND COMPONENTS



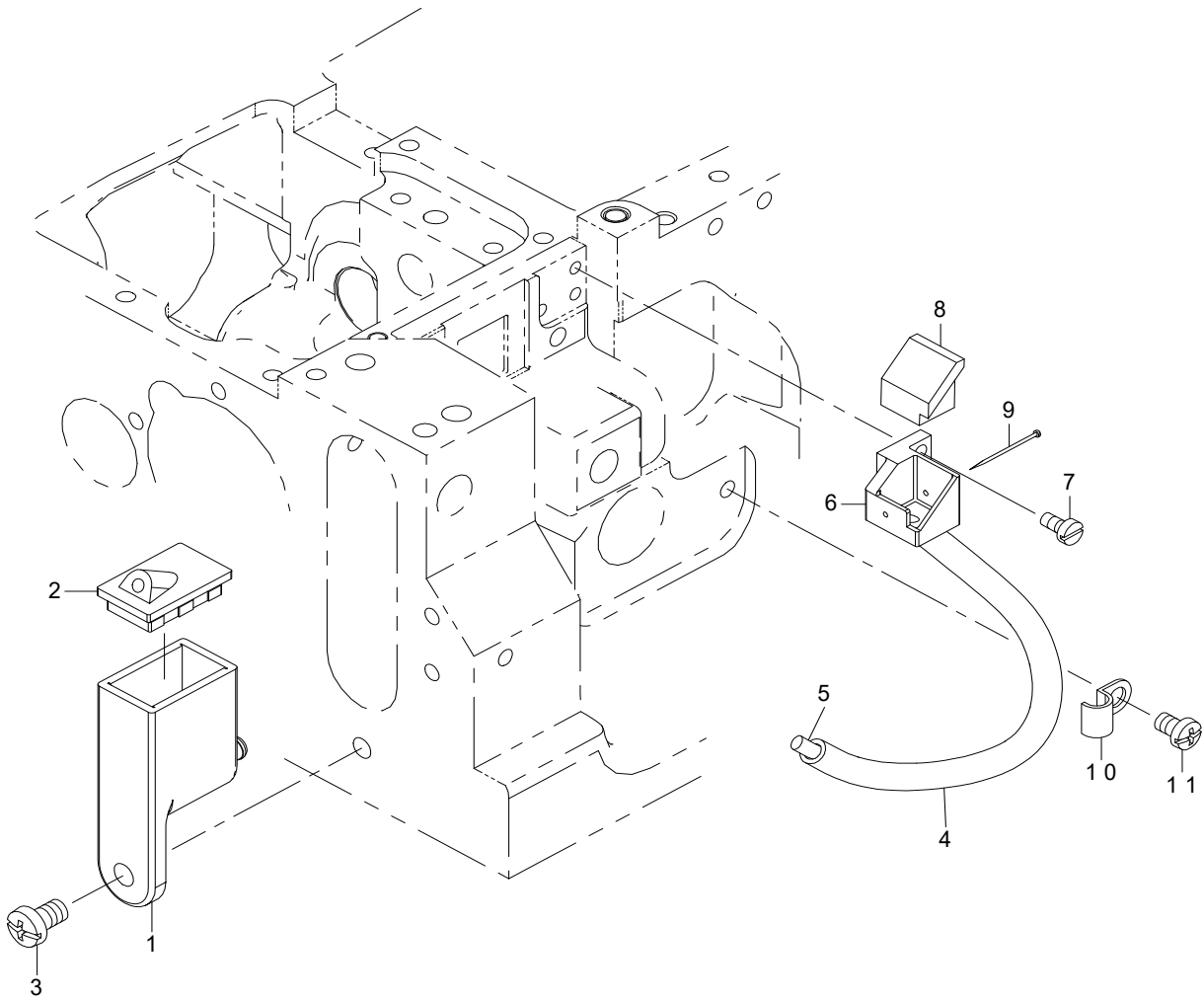
REF.NO	NOTE	PART NO	DESCRIPTION	Qty
1		401-06591	THREAD STAND ASM.	1
2		401-06575	SPOOL REST LONG ARM UPPER	(1)
3		400-85794	THREAD GUIDE	(5)
4		400-85795	THREAD GUIDE BUSHING	(5)
5		400-85787	SPOOL REST ARM UPPER	(1)
6		400-85793	SPOOL REST ROD RUBBER CAP	(1)
7		400-85785	SPOOL REST ROD UPPER	(1)
8		400-85792	SPOOL REST ROD JOINT	(1)
9		401-06581	THREAD GUIDE 5	(1)
10		401-06580	THREAD GUIDE UNDER BASE	(1)
11		401-06576	THREAD GUIDE ARM	(1)
12		401-06579	THREAD GUIDE ARM BASE	(1)
13		400-85784	SPOOL REST ROD LOWER	(1)
14		400-85791	SPOOL RETAINER	(5)
15		400-85790	SPOOL PIN	(5)
16		400-85789	SPOOL REST CUSHION	(5)
17		400-85788	SPOOL REST	(5)
18		400-85786	SPOOL REST ARM LOWER	(1)
19		401-06574	SPOOL REST LONG ARM LOWER	(1)
20		400-96327	SPOOL REST ARM UPPER SCREW	(2)
21		400-85796	SPOOL REST ROD RUBBER CUSHION	(2)
22		400-96325	SPOOL REST ROD NUT	(1)
23		400-96326	SPOOL REST ARM LOWER SCREW	(2)
24		SM-4041201-SC	SCREW_M4X0.7_L=12	(3)
25		SM-4051405-SE	SCREW M5 L=14	(2)
26		SM-4042501-SC	SCREW M4X0.7 L=25	(1)
27		NM-6040002-SC	NUT_M4X0.7 TYPE2	(4)
28		NM-6050001-SE	NUT M5X0.8 TYPE1	(11)
29		WP-1612616-SE	WASHER 16X30X2.6	(2)
30		WP-0531001-SC	WASHER M5	(5)
31		WS-0510002-KN	SPRING WASHER M5	(5)

# 15. GAUGE PARTS COMPONENTS



REF.NO	NOTE	PART NO	DESCRIPTION	Qty
1	#01	133-50004	NEEDLE HEAD 32	1
2	#02	133-50103	NEEDLE HEAD 40	1
3	#03	133-50202	NEEDLE HEAD 48	1
4	#04	133-50301	NEEDLE HEAD 56	1
5	#05	133-50400	NEEDLE HEAD 64	1
6	#06	MUY-128S1000	NEEDLE UYX128GAS (S BALL POINT) #10S	2
7	#07	MUY-128S1000	NEEDLE UYX128GAS (S BALL POINT) #10S	3
8	#06	SM-8030312-TP	SCREW M3 L=3	4
9	#07	SM-8030312-TP	SCREW M3 L=3	3
10	#01	400-58587	THROAT PLATE	1
11	#02	400-58706	THROAT PLATE	1
12	#03	400-40514	THROAT PLATE	1
13	#04	400-58033	THROAT PLATE	1
14	#05	400-40513	THROAT PLATE	1
15	#08	133-54204	MAIN FEED DOG	1
16	#09	133-53701	MAIN FEED DOG	1
17	#08	133-58304	DIFF FEED DOG	1
18	#09	133-57603	DIFF FEED DOG	1
19	#01	400-90133	PRESSER FOOT ASSY	1
20	#02	400-90196	PRESSER FOOT ASSY	1
21	#03	400-90197	PRESSER FOOT ASSY	1
22	#09	400-82974	PRESSER FOOT ASSY	1
23	#01	400-90130	PRESSER FOOT BOTTOM	(1)
24	#02	400-90131	PRESSER FOOT BOTTOM	(1)
25	#03	400-90132	PRESSER FOOT BOTTOM	(1)
26	#09	400-82975	PRESSER FOOT BOTTOM	(1)
27		400-70224	PRESSER FOOT HINGE	(1)
28		SM-6040800-SP	SCREW	(1)
29		133-75209	PIVOT PIN	(1)
30		SM-8030412-TP	SCREW	(1)
31		133-77106	SPRING	(1)
32		400-70226	P_F YIELDING SECTION	(2)
33		400-70227	GUIDE PLATE	(2)
34		SM-1850600-SP	SCREW	(2)
35		400-70231	PRESSER FOOT GUIDE	(1)
36		SM-6850400-SP	SCREW M2.5 L=4	(1)
37		WP-0280500-SC	WASHER	(1)
38		SM-8031002-TP	SCREW	(1)
39		NM-6030001-SD	NUT M3X0.5 TYPE1	(1)
40		400-70230	SPRING R	(1)
41		400-70229	SPRING L	(1)
42		PS-0150065-KP	SPRING PIN 1.5X6	(2)
	NOTE		#01....FOR B32	
			#02....FOR B40	
			#03....FOR B48	
			#04....FOR B56	
			#05....FOR B64	
			#06....FOR B32,B40	
			#07....FOR B48,B56,B64	
			#08....FOR B32,B40,B48	
			#09....FOR B56,B64	

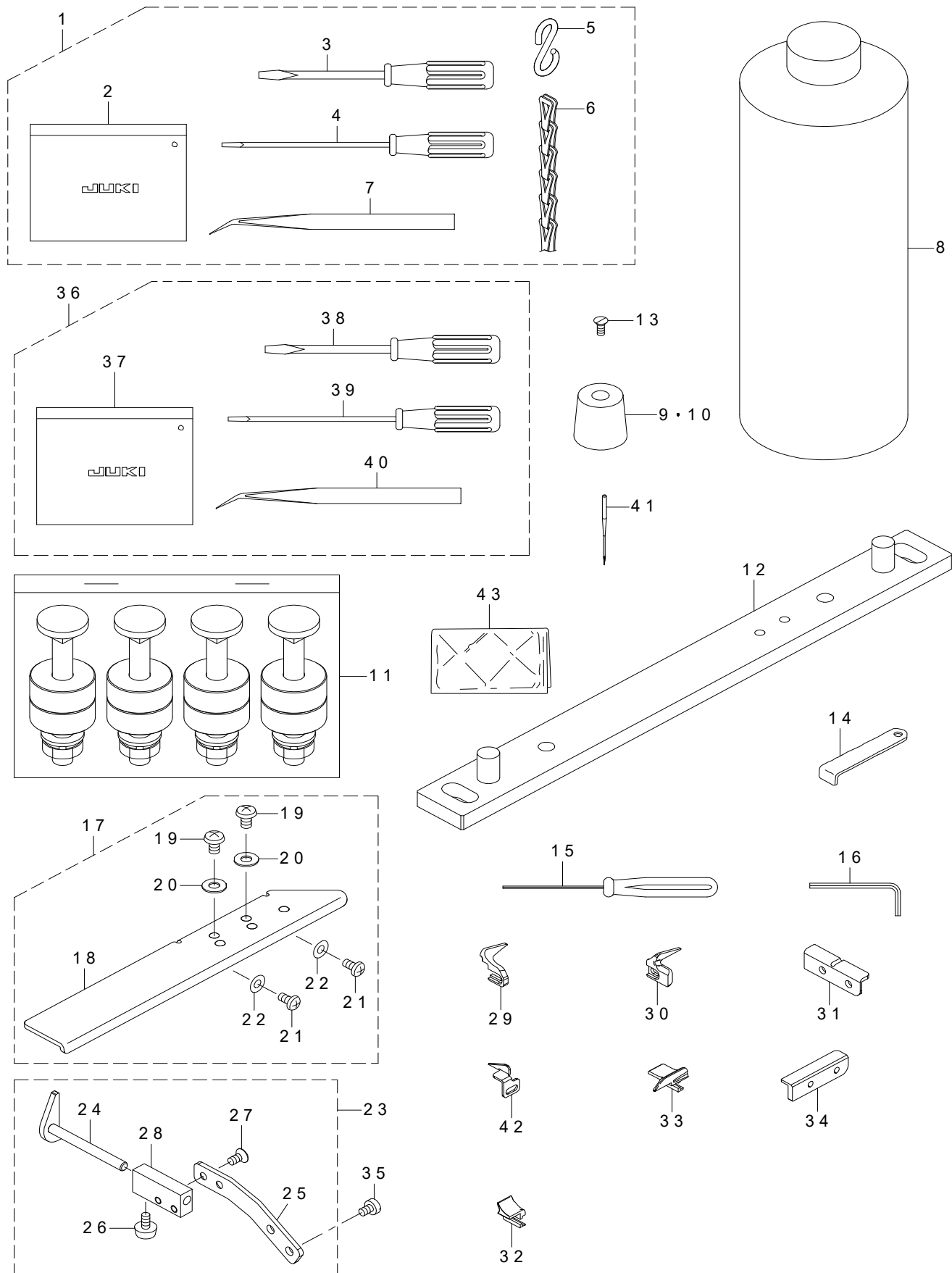
## 16. NEEDLE COOLING COMPONENTS





REF.NO	NOTE	PART NO	DESCRIPTION	Qty
1		400-56919	SILICONE OIL TANK	1
2		134-29105	SILICONE OIL TANK CAP	1
3		SM-4050855-SP	SCREW	1
4		BT-0600402-EA	URETHANE TUBE CLEAR BLUE 6X4	0.15
5		CQ-3030000-00	COTTON OIL WICK D=3	0.3
6		700-01644	SILICONE OIL CUP	1
7		SM-6030600-SP	SCREW M3X0.5 L=6	2
8		133-48305	FELT	1
9		118-56101	NEEDLE COOLER PIN	1
10		B3538-112-000	OIL RETURN TUBE HOLDER	1
11		SM-4040655-SP	SCREW M4 L=6	1

# 17. ACCESSORIES PARTS COMPONENTS



REF.NO	NOTE	PART NO	DESCRIPTION	Qty
1		400-13913	ACCESSORY_BAG_ASSY	1
2		229-32800	ACCESSORIE BAG	(1)
3		229-33105	SCREW DRIVER,MIDDLE	(1)
4		123-47308	SCREW DRIVER (SMALL)	(1)
5		131-60304	S SHAPED HOOK	(2)
6		700-01840	CHAIN	(1)
7		122-88403	TWEEZERS	(1)
8		MML-018800CB	JUKI CORPORATION GENUINE OIL 1	1
9		400-72505	ISOLATOR	1
10		131-55403	ISOLATOR	3
11		133-48966	ASSY_BOLT_SET	1
12		133-48859	SUPPORT_PLATE_ASSY	2
13		133-02203	SCREW	1
14		B9101-490-000	DRIVER	1
15		400-32763	HEXAGONAL_DRIVER(1.5)	1
16		J1066-000-00B	HEXAGONAL_WRENCH_KEY (2MM)	1
17		400-99374	BINDER_BRACKET_ASSY	1
18		400-99373	BINDER_BRACKET	(1)
19		SM-5050855-SN	SCREW M5 L=8	(2)
20		WP-0550836-SC	WASHER 5.5X12X0.8	(2)
21		SM-4040855-SP	SCREW	(2)
22		WP-0450801-SP	WASHER	(2)
23		700-01964	HEM_GUIDE_BASE_ASSY	1
24		700-01967	HEM_GUIDE	(1)
25		700-01962	HEM_GUIDE_BASE_1	(1)
26		400-19379	KNOB_SCREW	(1)
27		SM-1040801-SC	SCREW M4X0.7 L=8	(2)
28		700-01963	HEM_GUIDE_BASE_2	(1)
29		700-01813	COVERING_GUIDE_RIGHT	1
30		700-01814	COVERING_GUIDE_LEFT	1
31		400-99375	BRACKET_B	1
32		700-01838	COVERING_GUARD_L	1
33		700-01839	COVERING_GUARD_R	1
34		700-01846	BRACKET	1
35		SM-6040650-TP	SCREW	2
36	#01	700-04227	ACCESSORY_BAG_ASSY	1
37		229-32800	ACCESSORIE BAG	(1)
38		229-33105	SCREW DRIVER,MIDDLE	(1)
39		123-47308	SCREW DRIVER (SMALL)	(1)
40		122-88403	TWEEZERS	(1)
41		MUY-128S1003	NEEDLES(PACKAGE_OF_3)	1
42		700-01842	GUIDE_LEFT	1
43		400-66644	HEAD_COVER	1
		NOTE	#01....FOR UT35,UT37	



NUMERICAL INDEX OF PARTS

PART NO	PAGE	REF NO	PART NO	PAGE	REF NO	PART NO	PAGE	REF NO	PART NO	PAGE	REF NO
BP-3000001-0R	24	14	RO-1372301-00	10	82	SM-4850455-SP	18	34	SM-8050612-TP	10	13
BP-3000001-0R	24	17	RO-1482402-00	6	12	SM-4850455-SP	19	3	SM-8050612-TP	10	45
BP-3000001-0R	24	18	RO-1482402-00	6	42	SM-5040655-SN	12	6	SM-8050612-TP	10	59
BP-3000001-0R	24	19	RO-1582401-00	10	7	SM-5050855-SN	32	19	SM-8050612-TP	10	66
BP-3000001-0R	24	21	RO-1952401-00	2	10	SM-6030402-TP	10	56	SM-8050612-TP	10	86
BP-3000001-0R	24	22	RO-4453001-00	6	78	SM-6030600-SP	10	39	SM-8050612-TP	12	20
BP-3000001-0R	24	56				SM-6030600-SP	30	7	SM-8050612-TP	12	24
BP-3000001-0R	24	57	SB-1100023-00	6	27	SM-6030800-SP	4	38	SM-8050612-TP	14	7
BP-3000001-0R	24	58	SB-1200015-00	6	9	SM-6040600-SP	24	51	SM-8050612-TP	18	5
BP-3000001-0R	24	65	SB-1200015-00	6	41	SM-6040602-TP	4	10	SM-8050612-TP	18	9
BT-0600402-EA	30	4	SB-1200019-00	6	70	SM-6040650-TP	32	35	SM-8050612-TP	19	6
B2556-280-000	10	67	SB-1200022-00	6	55	SM-6040750-TP	4	22	SM-8050612-TP	20	14
B3215-470-000	10	52	SD-0600266-TP	4	62	SM-6040750-TP	20	32	SM-8050812-TP	10	6
B3538-112-000	30	10	SD-0640246-SP	2	20	SM-6040800-SP	4	14	SM-8050812-TP	10	95
B9101-490-000	32	14	SD-0640246-SP	18	21	SM-6040800-SP	8	38	SM-8060552-TP	6	34
B9214-850-000	14	21	SD-0700206-TP	8	16	SM-6040800-SP	10	98	SM-8060552-TP	10	25
			SD-0700586-TP	8	24	SM-6040800-SP	14	47	SM-8060552-TP	10	80
CM-3002000-01	2	29	SD-0801326-TH	10	33	SM-6040800-SP	28	28	SM-8060552-TP	18	39
CM-3002000-01	2	35	SL-4041281-SC	18	15	SM-6041000-SP	8	12	SM-80606A2-TP	10	78
CM-3002000-01	4	65	SM-1030400-SP	12	33	SM-6041000-SP	8	53	SM-8060612-TP	6	7
CM-3012000-01	2	26	SM-1040650-TP	14	38	SM-6041000-SP	10	31	SM-8060612-TP	6	11
CQ-3030000-00	10	11	SM-1040750-TP	14	59	SM-6041000-SP	12	34	SM-8060612-TP	6	14
CQ-3030000-00	10	17	SM-1040800-SP	4	7	SM-6041000-SP	16	30	SM-8060612-TP	6	24
CQ-3030000-00	10	23	SM-1040801-SC	32	27	SM-6041000-SP	20	8	SM-8060612-TP	6	40
CQ-3030000-00	30	5	SM-1041400-SP	4	11	SM-6041000-SP	20	22	SM-8060612-TP	6	50
CS-1000881-TP	10	44	SM-1850600-SP	28	34	SM-6041002-TP	4	6	SM-8060612-TP	6	52
CS-1000881-TP	10	64	SM-4030455-SN	2	17	SM-6041002-TP	4	12	SM-8060612-TP	6	58
CS-1000881-TP	10	85	SM-4030855-SN	2	18	SM-6041200-SP	8	14	SM-8060612-TP	6	66
CS-1000881-TP	12	23	SM-4030855-SN	8	61	SM-6041200-SP	16	28	SM-8060612-TP	6	72
CS-1000881-TP	14	6	SM-4030855-SN	14	27	SM-6041202-TP	8	23	SM-8060612-TP	10	4
CS-1000881-TP	16	25	SM-4040555-SP	4	51	SM-6041202-TP	20	4	SM-8060612-TP	10	88
CS-1000881-TP	18	8	SM-4040655-SP	2	23	SM-6042000-SP	24	50	SM-8060612-TP	16	19
			SM-4040655-SP	4	35	SM-6050800-SP	4	23	SM-8060612-TP	20	6
EA-9500B01-00	24	60	SM-4040655-SP	4	56	SM-6051000-SP	19	13	SM-8060812-TP	6	37
			SM-4040655-SP	6	36	SM-6051002-TP	8	30	SM-8060812-TP	6	54
J1066-000-00B	32	16	SM-4040655-SP	8	10	SM-6051002-TP	14	1	SM-8060842-TP	6	33
			SM-4040655-SP	14	17	SM-6051202-TP	8	36	SM-8060842-TP	6	38
MML-018800CB	32	8	SM-4040655-SP	14	28	SM-6051202-TP	8	59	SM-8060842-TP	6	49
MUY-128S1000	28	6	SM-4040655-SP	14	30	SM-6051400-SP	4	39	SM-8060842-TP	6	71
MUY-128S1000	28	7	SM-4040655-SP	14	33	SM-6051402-TP	14	12	SM-8061212-TP	6	4
MUY-128S1003	32	41	SM-4040655-SP	14	53	SM-6051402-TP	20	30	SM-8061212-TP	6	47
			SM-4040655-SP	14	56	SM-6051602-TP	4	59	SM-8080812-TP	6	74
NM-6030001-SC	18	32	SM-4040655-SP	18	18	SM-6051602-TP	10	68	SM-9061050-TP	16	20
NM-6030001-SD	28	39	SM-4040655-SP	18	20	SM-6051602-TP	24	55	SQ-0000452-MZ	24	15
NM-6040000-SN	2	19	SM-4040655-SP	18	36	SM-6061200-SP	6	75	SQ-0000453-MZ	24	13
NM-6040000-SN	4	57	SM-4040655-SP	22	23	SM-6061202-TP	8	28	SQ-0000454-MZ	24	12
NM-6040000-SN	24	63	SM-4040655-SP	24	7	SM-6061202-TP	10	75	SQ-2050452-MZ	24	25
NM-6040000-SN	24	68	SM-4040655-SP	24	9	SM-6061402-TP	6	19	SQ-2060441-SD	24	16
NM-6040002-SC	26	27	SM-4040655-SP	24	27	SM-6061402-TP	6	61	SQ-2060442-SD	24	11
NM-6050001-SC	10	69	SM-4040655-SP	24	35	SM-6061402-TP	10	38	SQ-2060451-MZ	24	52
NM-6050001-SC	14	45	SM-4040655-SP	24	62	SM-6061402-TP	16	9	ST-4040851-SN	14	23
NM-6050001-SC	16	8	SM-4040655-SP	30	11	SM-6061802-TP	24	32			
NM-6050001-SC	20	16	SM-4040855-SP	2	6	SM-6062550-TP	8	26	TA-0400301-M0	4	9
NM-6050001-SC	24	26	SM-4040855-SP	24	37	SM-6850400-SP	28	36	TA-0500601-M0	10	46
NM-6050001-SE	26	28	SM-4040855-SP	32	21	SM-6850802-TN	18	42	TA-0500601-M0	20	18
NM-6060001-CP	8	27	SM-4041055-SP	2	4	SM-7051460-TP	12	15	TA-0600401-R0	16	32
NM-6850001-SC	18	43	SM-4041055-SP	2	8	SM-8030312-TP	14	26	TA-0750404-R0	12	27
			SM-4041055-SP	4	52	SM-8030312-TP	28	8	TA-0850604-R0	2	32
PS-0150065-KP	28	42	SM-4041055-SP	4	55	SM-8030312-TP	28	9	TA-0850604-R0	2	33
PS-0150082-KH	14	22	SM-4041055-SP	6	29	SM-8030412-TP	28	30	TA-0850604-R0	4	20
PS-0300162-KH	10	58	SM-4041055-SP	8	41	SM-8031002-TP	28	38	TA-0850604-R0	4	47
PS-0400082-KP	14	34	SM-4041055-SP	14	15	SM-8040312-TP	19	14	TA-0850604-R0	8	67
PS-0500142-KP	8	20	SM-4041055-SP	22	20	SM-8040412-TP	4	34	TA-1050504-R0	2	3
			SM-4041055-SP	24	2	SM-8040412-TP	4	50	TA-1050504-R0	4	17
RC-0100001-KP	10	40	SM-4041201-SC	26	24	SM-8040412-TP	6	20	TA-1050504-R0	4	70
RC-0741013-KP	10	70	SM-4041655-SP	22	3	SM-8040412-TP	10	53	TA-1250705-R0	2	31
RC-1900002-KP	4	3	SM-4042501-SC	26	26	SM-8040412-TP	16	12	TA-1600406-R0	20	9
RE-0300000-K0	4	42	SM-4050855-SP	30	3	SM-8040512-TP	8	44	TA-2050406-R0	2	30
RE-0300000-K0	12	11	SM-4051055-SP	4	66	SM-8040602-TP	10	50	TA-2050416-R0	4	16
RE-0500000-K0	10	55	SM-4051255-SP	10	65	SM-8040612-TP	10	83	TA-2050416-R0	4	68
RE-0500000-K0	19	11	SM-4051255-SP	12	14	SM-8050412-TP	10	92	TA-2101002-R0	4	67
RE-0700000-K0	20	12	SM-4051405-SE	26	25	SM-8050412-TP	10	99	TA-2101002-R0	18	40
RO-0552001-00	10	51	SM-4060801-SE	2	21	SM-8050412-TP	16	5	TA-2351004-R0	2	24
RO-0552001-00	19	9	SM-4850455-SP	14	37	SM-8050412-TP	16	26			
RO-0681901-00	12	2	SM-4850455-SP	18	27	SM-8050412-TP	24	42	WP-0280500-SC	18	26

NUMERICAL INDEX OF PARTS

PART NO	PAGE	REF NO	PART NO	PAGE	REF NO	PART NO	PAGE	REF NO	PART NO	PAGE	REF NO
WP-0280500-SC	18	33	133-07251	6	48	133-29206	16	22	236-29306	24	20
WP-0280500-SC	28	37	133-07301	6	53	133-32309	18	14	236-29306	24	64
WP-0280501-SC	14	36	133-07509	6	13	133-32804	18	19	236-29504	24	23
WP-0370316-SD	10	18	133-08457	6	8	133-32903	18	17	260-19000	22	7
WP-0410516-SD	18	23	133-08507	6	32	133-33208	18	16			
WP-0450000-SD	4	69	133-08705	6	28	133-33307	18	28	303-91601	14	25
WP-0450801-SC	14	57	133-08804	6	1	133-33505	18	30	310-13808	12	22
WP-0450801-SC	24	67	133-09208	6	73	133-33604	18	31			
WP-0450801-SP	32	22	133-13101	8	3	133-33703	18	37	400-04749	24	53
WP-0450826-SC	8	40	133-13309	8	4	133-34701	19	2	400-13913	32	1
WP-0450826-SC	12	5	133-13804	8	11	133-37308	20	2	400-17824	6	5
WP-0450826-SC	14	46	133-14109	8	15	133-37357	20	1	400-18443	12	21
WP-0460556-SD	12	9	133-15908	8	8	133-37407	20	3	400-18922	6	10
WP-0461516-SH	20	24	133-17201	10	12	133-37506	20	5	400-19335	18	38
WP-0480856-SP	10	97	133-17300	10	19	133-37605	20	13	400-19379	32	26
WP-0522016-SH	14	4	133-17409	10	20	133-37704	20	21	400-23441	18	10
WP-0531000-SC	4	31	133-17508	10	21	133-37803	20	23	400-23441	18	13
WP-0531000-SD	4	4	133-17607	10	22	133-37902	20	31	400-23481	18	12
WP-0531001-SC	26	30	133-17706	10	24	133-38504	20	17	400-24405	24	28
WP-0550800-SP	4	43	133-17805	10	61	133-38801	20	7	400-32763	32	15
WP-0550800-SP	16	7	133-17904	10	57	133-38900	16	23	400-33341	2	14
WP-0550800-SP	20	15	133-18001	10	48	133-38900	20	28	400-35711	6	44
WP-0550800-SP	24	54	133-18100	10	49	133-40005	22	21	400-39630	12	3
WP-0550836-SC	32	20	133-18209	10	47	133-40104	22	22	400-40206	12	1
WP-0551016-SH	8	31	133-18308	10	54	133-40302	22	6	400-40513	28	14
WP-0621016-SD	12	16	133-18506	10	63	133-43009	24	41	400-40514	28	12
WP-0621016-SD	19	10	133-18605	10	77	133-43108	24	40	400-42363	22	9
WP-1021026-SH	20	11	133-18704	10	14	133-43207	24	48	400-42364	22	10
WP-1022016-SH	16	24	133-18803	10	15	133-43306	24	49	400-42365	22	11
WP-1612616-SE	26	29	133-18902	10	16	133-43405	24	47	400-42366	22	12
WS-0510002-KN	14	11	133-19009	10	42	133-43801	24	5	400-50448	20	26
WS-0510002-KN	26	31	133-19405	10	73	133-44809	24	3	400-50449	20	29
WS-0510002-KP	4	30	133-19504	10	76	133-45053	24	66	400-52522	20	20
WS-0510002-KP	14	2	133-19702	10	32	133-45202	24	1	400-52924	19	1
WZ-0641510-KP	2	16	133-19900	10	35	133-45400	24	43	400-56919	30	1
WZ-0641510-KP	4	61	133-19959	10	34	133-45459	24	39	400-58033	28	13
WZ-0641510-KP	18	22	133-20007	10	36	133-45509	24	29	400-58587	28	10
			133-20106	10	37	133-45608	24	33	400-58706	28	11
107-53309	2	9	133-20304	12	18	133-45855	24	8	400-65785	22	2
118-56101	30	9	133-20403	12	19	133-45905	24	34	400-66644	32	43
122-88403	32	7	133-21203	12	4	133-46101	24	38	400-70224	28	27
122-88403	32	40	133-21708	10	28	133-46556	24	6	400-70226	28	32
123-47308	32	4	133-22003	10	81	133-46705	24	24	400-70227	28	33
123-47308	32	39	133-22102	10	84	133-48008	14	19	400-70229	28	41
131-23302	12	10	133-22201	10	79	133-48305	30	8	400-70230	28	40
131-40504	22	5	133-22409	10	30	133-48859	32	12	400-70231	28	35
131-42500	24	4	133-23209	12	25	133-48966	32	11	400-70573	8	2
131-55403	32	10	133-23308	10	8	133-50004	28	1	400-70574	8	1
131-60304	32	5	133-23407	10	9	133-50103	28	2	400-72505	32	9
131-70105	24	30	133-23506	10	10	133-50202	28	3	400-78278	6	67
131-71004	24	31	133-23803	10	5	133-50301	28	4	400-78279	6	68
132-17401	12	13	133-24108	6	21	133-50400	28	5	400-78280	6	69
132-17500	12	12	133-24108	6	64	133-53701	28	16	400-78282	6	77
132-17708	12	8	133-24504	14	5	133-54204	28	15	400-78291	8	54
132-27905	24	46	133-24603	14	8	133-57603	28	18	400-78292	8	48
132-28200	24	45	133-24702	14	10	133-58304	28	17	400-78293	8	45
132-28309	24	44	133-24900	14	14	133-75209	28	29	400-78293	16	33
133-00801	2	12	133-25006	14	16	133-77106	28	31	400-78295	8	58
133-01700	2	15	133-25204	14	24	133-98409	10	71	400-78296	8	65
133-01809	4	25	133-25808	14	48	133-99209	16	11	400-78299	8	63
133-02104	4	40	133-25907	14	49	134-06707	6	3	400-78300	8	64
133-02104	4	53	133-26004	14	50	134-09800	4	28	400-78301	8	55
133-02203	4	24	133-26103	14	51	134-26903	4	2	400-78302	8	50
133-02203	32	13	133-26202	14	52	134-29105	30	2	400-78303	8	52
133-02302	4	5	133-26301	14	39				400-78304	8	56
133-02302	4	19	133-26400	14	40	229-01805	2	34	400-78305	8	49
133-02302	4	33	133-26509	14	42	229-02506	2	2	400-78306	8	51
133-02302	4	36	133-26608	14	44	229-24708	2	11	400-78307	8	17
133-02302	4	49	133-26707	14	54	229-32800	32	2	400-78311	16	15
133-02708	4	46	133-26806	8	60	229-32800	32	37	400-78312	16	16
133-04001	4	71	133-26905	14	35	229-33105	32	3	400-78313	16	17
133-04209	4	54	133-28000	16	3	229-33105	32	38	400-78314	16	18
133-04308	4	32	133-28208	16	4	229-45505	14	43	400-78317	8	62
133-04308	4	48	133-28802	16	27	229-45802	14	41	400-78318	16	1
133-05107	4	45	133-29008	16	13	236-12609	14	9	400-78319	16	2

NUMERICAL INDEX OF PARTS

PART NO	PAGE	REF NO	PART NO	PAGE	REF NO	PART NO	PAGE	REF NO	PART NO	PAGE	REF NO
400-78320	8	66	700-01454	6	59	700-01588	19	12			
400-81965	6	79	700-01462	8	47	700-01589	12	26			
400-82196	4	21	700-01463	8	57	700-01590	19	7			
400-82974	28	22	700-01465	8	46	700-01591	19	8			
400-82975	28	26	700-01477	8	37	700-01592	19	4			
400-85784	26	13	700-01478	8	35	700-01601	20	10			
400-85785	26	7	700-01480	8	5	700-01602	20	19			
400-85786	26	18	700-01481	8	6	700-01603	20	25			
400-85787	26	5	700-01483	8	9	700-01604	20	27			
400-85788	26	17	700-01485	8	13	700-01610	22	1			
400-85789	26	16	700-01486	8	19	700-01612	22	4			
400-85790	26	15	700-01487	8	29	700-01613	22	18			
400-85791	26	14	700-01488	8	32	700-01614	22	19			
400-85792	26	8	700-01489	8	33	700-01615	22	16			
400-85793	26	6	700-01490	8	34	700-01616	22	17			
400-85794	26	3	700-01491	8	39	700-01617	22	15			
400-85795	26	4	700-01492	8	42	700-01620	22	8			
400-85796	26	21	700-01493	8	43	700-01631	24	61			
400-85995	14	55	700-01494	8	22	700-01634	24	10			
400-87068	18	3	700-01495	8	25	700-01636	24	36			
400-87083	8	68	700-01498	8	21	700-01638	6	57			
400-87101	8	69	700-01499	8	7	700-01639	24	59			
400-90130	28	23	700-01500	8	18	700-01644	30	6			
400-90131	28	24	700-01505	10	2	700-01659	4	44			
400-90132	28	25	700-01506	10	74	700-01813	32	29			
400-90133	28	19	700-01507	10	94	700-01814	32	30			
400-90196	28	20	700-01508	10	96	700-01830	4	64			
400-90197	28	21	700-01509	10	29	700-01831	4	63			
400-96325	26	22	700-01510	10	41	700-01837	2	27			
400-96326	26	23	700-01510	10	62	700-01838	32	32			
400-96327	26	20	700-01511	10	43	700-01839	32	33			
400-99371	4	37	700-01512	10	60	700-01840	32	6			
400-99373	32	18	700-01513	10	72	700-01842	32	42			
400-99374	32	17	700-01514	12	28	700-01846	32	34			
400-99375	32	31	700-01515	12	29	700-01959	10	27			
401-00791	18	25	700-01516	12	30	700-01962	32	25			
401-00793	18	29	700-01517	12	31	700-01963	32	28			
401-01602	22	13	700-01518	12	32	700-01964	32	23			
401-02003	22	14	700-01521	10	1	700-01967	32	24			
401-06574	26	19	700-01522	10	3	700-01975	24	69			
401-06575	26	2	700-01523	10	87	700-01976	4	60			
401-06576	26	11	700-01524	10	89	700-01978	4	8			
401-06579	26	12	700-01525	10	90	700-01987	18	1			
401-06580	26	10	700-01526	10	91	700-03316	6	23			
401-06581	26	9	700-01527	10	93	700-03331	6	22			
401-06591	26	1	700-01528	10	26	700-03995	12	35			
401-72767	16	21	700-01530	12	7	700-04184	6	43			
			700-01531	12	17	700-04223	16	29			
700-01407	2	28	700-01532	10	100	700-04224	16	31			
700-01409	2	7	700-01533	10	101	700-04227	32	36			
700-01411	2	1	700-01535	6	62	700-04484	6	31			
700-01414	4	29	700-01536	6	63	700-04489	6	30			
700-01415	4	13	700-01537	14	3	700-04630	6	15			
700-01416	2	5	700-01540	14	18	700-04631	6	16			
700-01418	4	41	700-01541	14	29	700-04632	6	18			
700-01420	4	1	700-01542	14	31	700-04633	6	17			
700-01421	2	13	700-01543	14	32	700-04640	6	6			
700-01422	2	22	700-01544	14	58	700-04972	4	27			
700-01423	4	15	700-01545	14	60						
700-01424	4	18	700-01546	14	20						
700-01426	4	26	700-01548	14	13						
700-01430	2	25	700-01555	16	6						
700-01432	6	76	700-01561	16	10						
700-01436	4	58	700-01562	16	14						
700-01437	6	45	700-01572	18	7						
700-01439	6	46	700-01573	18	11						
700-01440	6	56	700-01575	18	35						
700-01442	6	60	700-01579	18	24						
700-01443	6	51	700-01580	18	4						
700-01444	6	65	700-01581	18	6						
700-01445	6	2	700-01582	18	2						
700-01447	6	25	700-01583	18	45						
700-01448	6	26	700-01584	18	41						
700-01451	6	35	700-01585	18	44						
700-01453	6	39	700-01587	19	5						