

# ***PARTS LIST***

**L-1C**

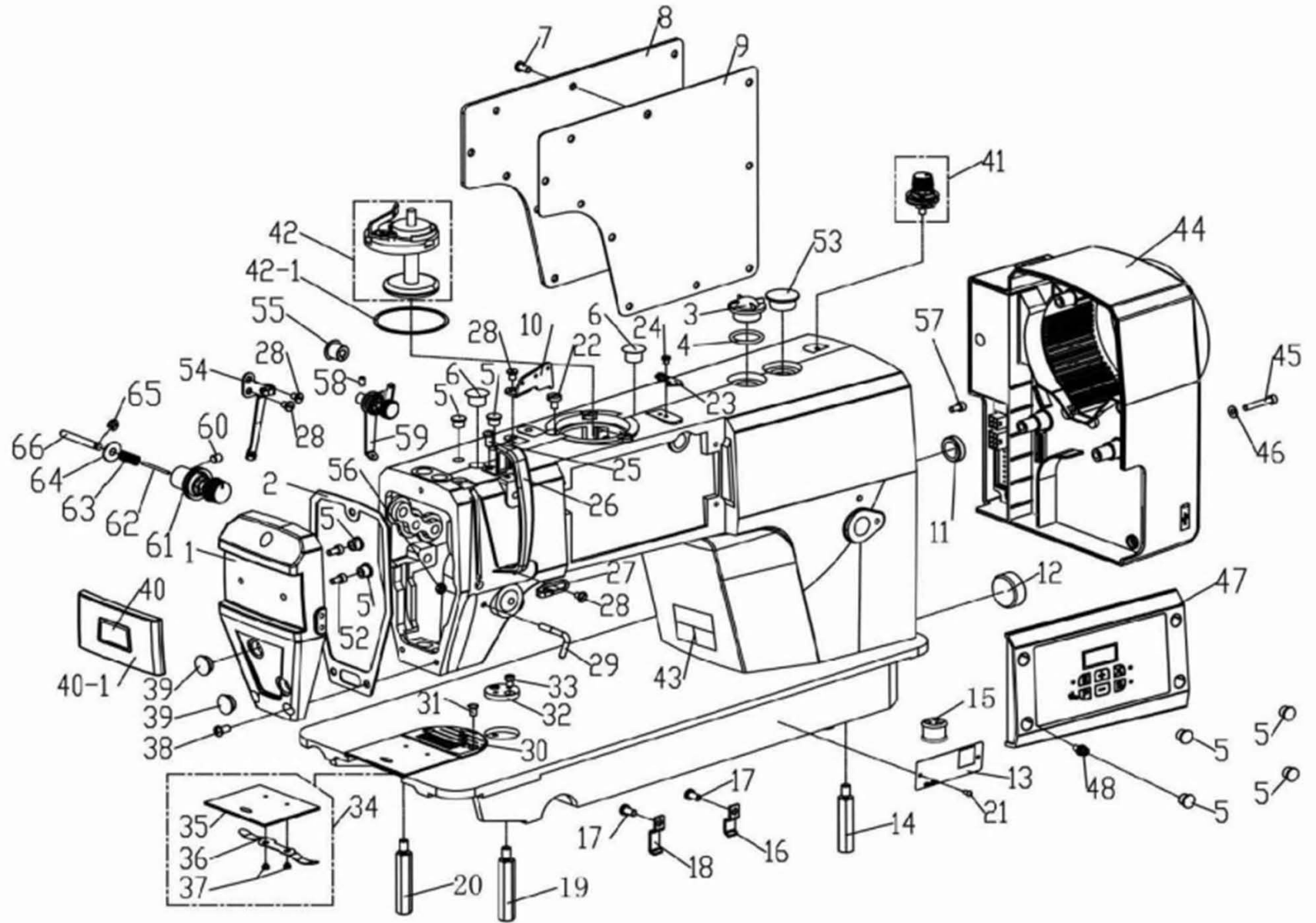
**PARTS LIST**



# CONTENTS

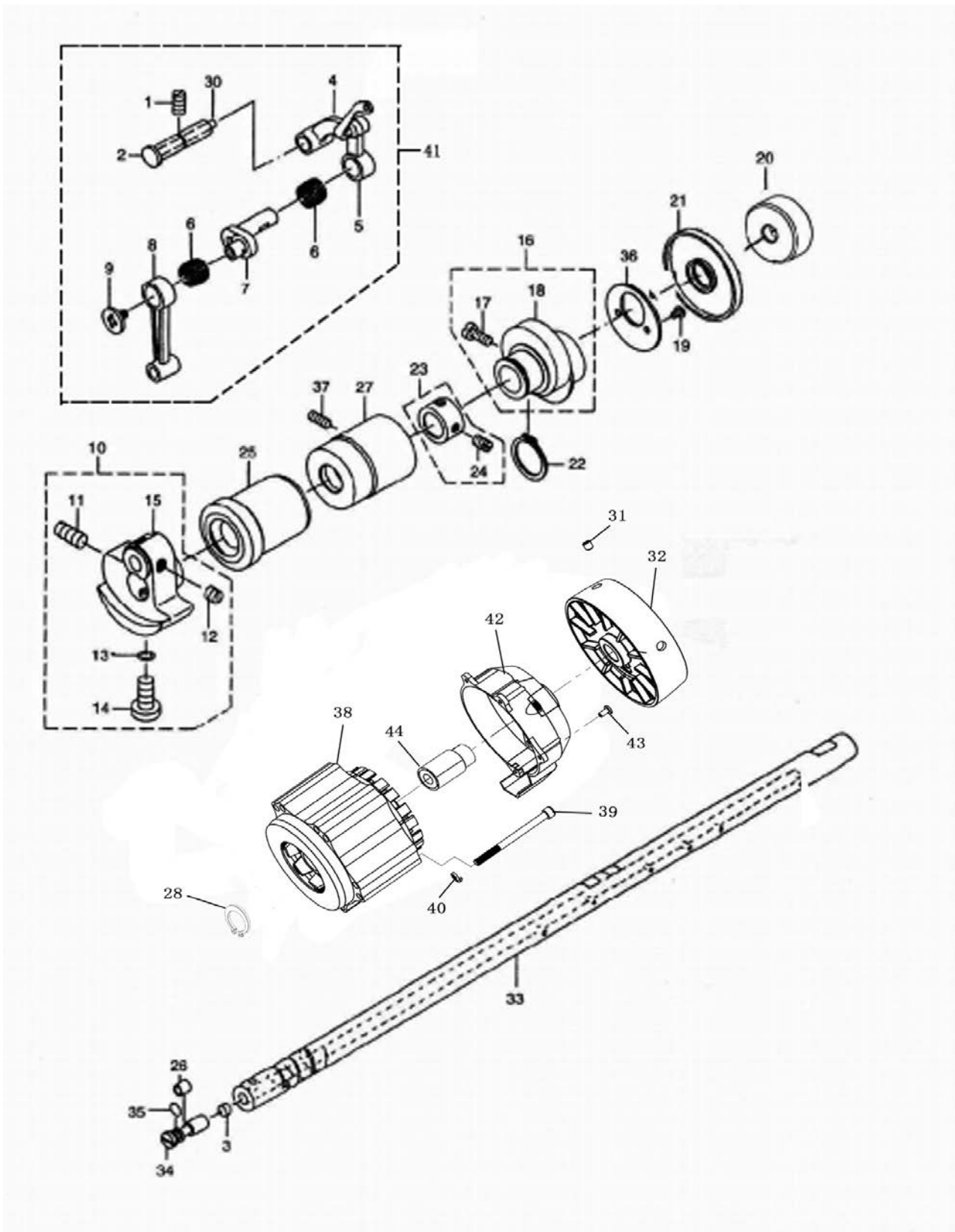
|   |    |
|---|----|
| 1. MACHINE FRAME & MISCELLANEOUS COVER COMPONENTS.....  | 1  |
| 2. MAIN SHAFT & THREAD-UP LEVER COMPONENTS.....         | 3  |
| 3. NEEDLE BAR & THREAD TENSION COMPONENTS.....          | 5  |
| 4. PRESSER BAR & TENSION RELEASE COMPONENTS .....       | 7  |
| 5. FEED MECHANISM COMPONENTS .....                      | 9  |
| 6. THREAD TRIMMER COMPONENTS .....                      | 11 |
| 7. LUBRICATION COMPONENTS .....                         | 13 |
| 8. PRESSER FOOT COMPONENTS OF OIL PLATE KNEE LIFT ..... | 15 |
| 9. COMPONENTS OF THREAD-RUNNING STAND.....              | 17 |
| 10. AUXILIARIES .....                                   | 19 |
| 11. REVESE SEWING SWITCH ASM .....                      | 21 |

# 1. MACHINE FRAME & MISCELLANEOUS COVER COMPONENTS



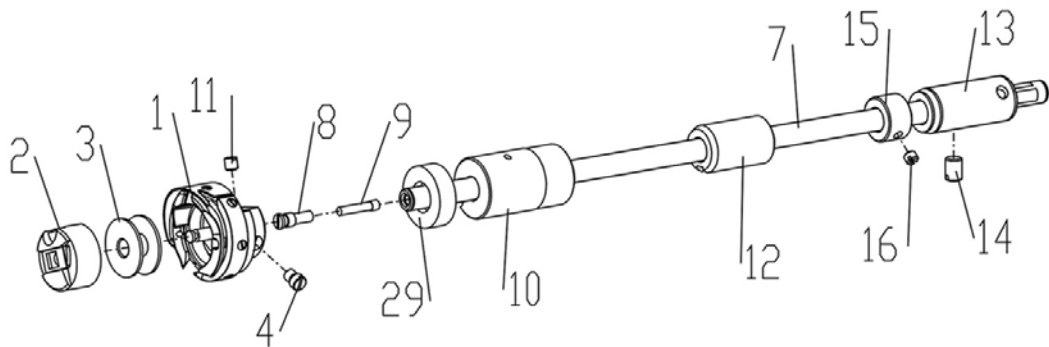
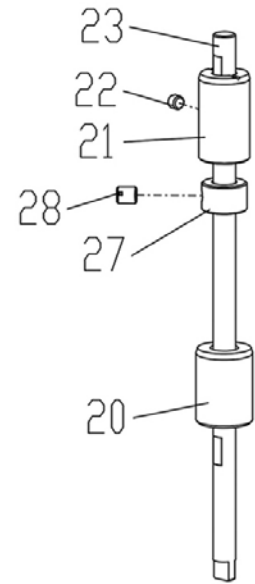
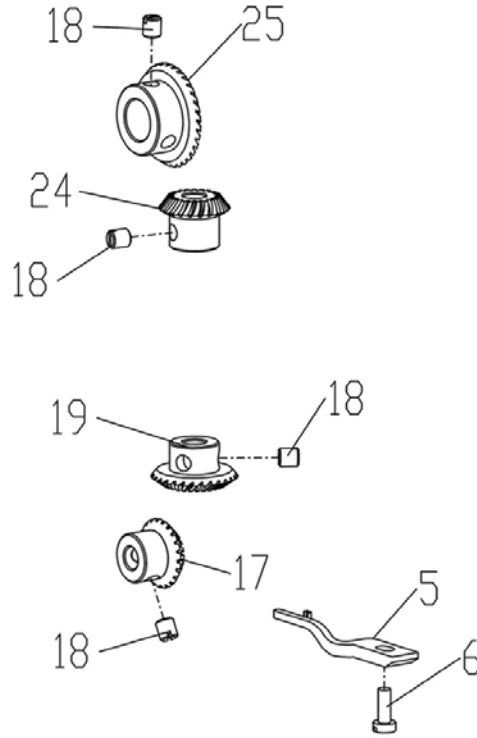
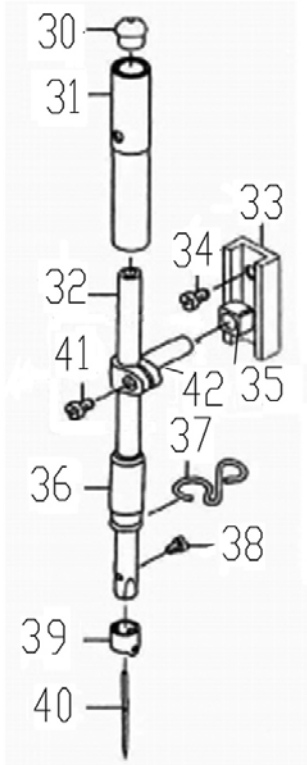
| Ref. No | Part No             | Description                      | QTY |
|---------|---------------------|----------------------------------|-----|
| 1       | JINPFS5T0101        | FACE PLATE                       | 1   |
| 2       | JINPFS5T0102        | FACE PLATE GASKET                | 1   |
| 3       | JINPF5550824        | OIL WINDOW                       | 1   |
| 4       | JINPF5550825        | THRUST COLLAR ASM                | 1   |
| 5       | JINPF5550113        | RUBBER PLUG                      | 8   |
| 6       | JINPF5550112        | RUBBER PLUG                      | 2   |
| 7       | JINPF555016         | SCREW 3/16X28 L=9                | 8   |
| 8       | JINPFQ518           | SIDE PLATE                       | 1   |
| 9       | JINPFQ519           | SIDE PLATE GASKET                | 1   |
| 10      | JINPF0302113        | THREE EVELINER HOOK              | 1   |
| 11      | JINPF5550114        | RUBBER PLUG                      | 1   |
| 12      | JINPF5550115        | RUBBER PLUG                      | 1   |
| 13      | JINBZ3464           | MODEL PLATE                      | 1   |
| 14      | JINPF555013         | BED SCREW STUD                   | 2   |
| 15      | JINPFQ20115         | NEEDLE BEARING(ONE HOLE)         | 1   |
| 16      | JINPF99901511       | CORD HOLDER(S)                   | 2   |
| 17      | JINPF5550161        | SCREW 3/16X28 L=12               | 3   |
| 18      | JINPF99901160       | CORD HOLDER(L)                   | 1   |
| 19      | JINPF90000120       | BED SCREW STUD(L)                | 1   |
| 20      | JINPF90000121       | BED SCREW STUD(M)                | 1   |
| 21      | JINSCJ6071          | POLE                             | 2   |
| 22      | JINPF90000131       | SCREW 3/16X32 L=7                | 3   |
| 23      | JINPF90000132       | THREAD CUTTER                    | 1   |
| 24      | JINPF68425K19       | SCREW 1/8X40 L=4                 | 2   |
| 25      | JINPF5550230        | SCREW 3/16X28 L=6                | 1   |
| 26      | JINPF5550229        | THERAD TAKE-UP LEVER COVER       | 1   |
| 27      | JINPF5550316        | RIGHT ARM THREAD GUIDE           | 1   |
| 28      | JINPF5550317        | SCREW 11/64X40 L=6               | 4   |
| 29      | JINPF9520MXDK021    | LARGE ARM THREAD GUIDE           | 1   |
| 30      | JINPF555063601D     | NEEDLE PLATE                     | 1   |
|         | JINPF0302141        | NEEDLE PLATE                     | 1   |
| 31      | JINPF5550637        | SCREW 11/64X40 L=8.5             | 2   |
| 32      | JINPF03030118       | RULER PLATE                      | 1   |
| 33      | JINPF5550117        | SCREW 11/64X40 L=5               | 2   |
| 34      | JINPF5550638        | SLIDE PLATE ASM                  | 1   |
| 35      | JINPF555063801      | SLIDE PLATE                      | 1   |
| 36      | JINPF555063802      | SPRING OF SLIDE PLATE            | 1   |
| 37      | JINPF555063803      | SCREW                            | 2   |
| 38      | JINPF5550161        | SCREW 3/16X28 L=12               | 3   |
| 39      | JINPF8420M-D3010107 | RUBBER PLUG                      | 2   |
| 40      | JINBZ3299           | PLATE                            | 1   |
| 40-1    | JINPFS5T014002      | DECORATION BOARD                 | 1   |
| 41      | JINPFQ514101        | BOBBIN THREAD TENSION ASM        | 1   |
| 42      | JINPFS5T014201      | BOBBIN WINDER ASM                | 1   |
| 42-1    | JINPF900001511      | OIL SEAL                         | 1   |
| 43      | JINBZ3141           | SAFETY-INDCATING PLATE           | 1   |
| 44      | JIN12010120         | PILLEY COVER ASM                 | 1   |
| 45      | JINSCJ2004          | SCREW M4 L=20                    | 3   |
| 46      | JINSCJ3010          | WASHER                           | 3   |
| 47      | JIN1201012001       | OPERATION PANEL                  | 1   |
| 48      | JINBF310167018      | SCREW M4                         | 4   |
| 52      | JINBF310164527      | SCREW                            | 2   |
| 53      | JINPF98000187       | RUBBER PLUG                      | 1   |
| 54      | JINPFQ5129          | LEFT ARM THREAD GUIDE            | 1   |
| 55      | JINPFS5T129         | OPERATION PANEL LINE HOLE PLUG   | 1   |
| 56      | JINPF9520MXDK02101  | NUT 11/64X40                     | 1   |
| 57      | JINPF1310D239       | SCREW M4                         | 1   |
| 58      | JINPF68425H33       | SCREW                            | 1   |
| 59      | JINPFQ531216        | UPPER THREAD CLIPPING FEVICE     | 1   |
| 60      | JINPF5550330        | SCREW                            | 1   |
| 61      | JINPFQ531726B       | THREAD TENSION ASM               | 1   |
|         | JINPFQ5H3172601     | THREAD TENSION ASM               | 1   |
| 62      | JINPF5550330        | THREAD RELEASE PIN               | 1   |
| 63      | JINPF5550334        | TESNION RELRASE PIN SPRING       | 1   |
| 64      | JINPF5550333        | WASHER                           | 1   |
| 65      | JINSCJ1004          | E-RING                           | 1   |
| 66      | JINPF90000329       | TESNION RELRELEASE SUPPORTINGPIN | 1   |

## 2. MAIN SHAFT & THREAD-UP LEVER COMPONENTS



| Ref. No | Part No         | Description                     | QTY |
|---------|-----------------|---------------------------------|-----|
| 1       | JINPF555022     | SCREW 15/64X28 L=10.5           | 1   |
| 2       | JINPF5550225    | THREAD TAKE-UP CRANK SHAFT      | 1   |
| 3       | JINPF5550211    | ROLLER FELT                     | 1   |
| 4       | JINPF55502211   | THREAD TAKE-UP LEVER            | 1   |
| 5       | JINPF55502212   | THREAD TAKE-UP LEVER ASM        | 1   |
| 6       | JINPF555022404  | NEEDLE BEARING                  | 2   |
| 7       | JINPF55502201   | NEEDLE BAR CRANK                | 1   |
| 8       | JINPF555031     | NEEFLE BAR CRANK ROD            | 1   |
| 9       | JINPF5550228    | LEFT SCREW 9/64X40 L=4.8        | 1   |
| 10      | JINPF5550215    | COUNTER WEIGHT ASM              | 1   |
|         | JINPFQ520201    | COUNTER WEIGHT ASM              | 1   |
| 11      | JINPF5550218    | SCREW 9/32X28 L=16              | 1   |
| 12      | JINPF5550625    | SCREW 1/4X40 L=6                | 2   |
| 13      | JINPF5550217    | RUBBER RING                     | 1   |
| 14      | JINPF5550216    | SCREW 9/32X28 L= 15.5           | 1   |
| 15      | JINPF5550215    | COUNTER WEIGHT                  | 1   |
| 16      | JINPF55506202   | FEED DRIVE ECCENTRIC CAM ASM    | 1   |
|         | JINPF55506203   | FEED DRIVE ECCENTRIC CAM ASM    | 1   |
| 17      | JINPF555063     | SCREW 1/4X40 L=13               | 2   |
| 18      | JINPF55506201   | FEED DRIVE ECCENTRIC CAM        | 1   |
| 19      | JINPF555065     | SCREW 9/64X40 L=6               | 2   |
| 20      | JINPF9802DP0205 | MAIN SHAFT BEHIND BUSHING ASM   | 1   |
| 21      | JINPF90000210   | OIL SEAL                        | 1   |
| 22      | JINPF5550652    | SNAP RING                       | 1   |
| 23      | JINPF555026     | THRUST COLLAR ASM               | 1   |
| 24      | JINPF5550625    | SCREW 1/4X40 L=6                | 2   |
| 25      | JINPF90000207   | MAIN SHAFT BEHIND BUSHING ASM   | 1   |
| 26      | JINPF5550212    | OIL ADJUSTING COLLAR            | 1   |
| 27      | JINPF555028     | BUSHING INTERMEDIATE            | 1   |
| 28      | JIN14160020     | CABLE BAND                      | 1   |
| 30      | JINPF5550226    | THREAD TAKE-UP CRANK SHAFT FELT | 1   |
| 31      | JINPF1790S033   | SCREW 15/64X28 L=10             | 2   |
| 32      | JINPFQ20221F    | HAND WHEEL                      | 1   |
| 33      | JINPFQ20201     | MAIN SHAFT                      | 1   |
| 34      | JINPF5550213    | OIL AMOUNT ADJUSTING PIN        | 1   |
| 35      | JINPF5550214    | RUBBER RING                     | 1   |
| 36      | JINPF555064     | THRUST COLLAR                   | 1   |
| 37      | JINPF555029     | SCREW                           | 1   |
| 38      | JINPFQ5TZ0212   | MOTOR ASM                       | 1   |
| 39      | JINPFQ1239      | SCREW                           | 4   |
| 40      | JINPFQ1240      | WASHER                          | 4   |
| 41      | JINPF55500223A  | THREED TAKE-UP ASM.             | 1   |
|         | JINPF5550H0223A | THREED TAKE-UP ASM.             | 1   |
| 42      | JIN12030016     | ENCODER COMPONENT               | 1   |
| 43      | JINPF1900A0319  | SCREW                           | 3   |
| 44      | JINPFQ5TZ021201 | MOTOR ROTOR                     | 1   |

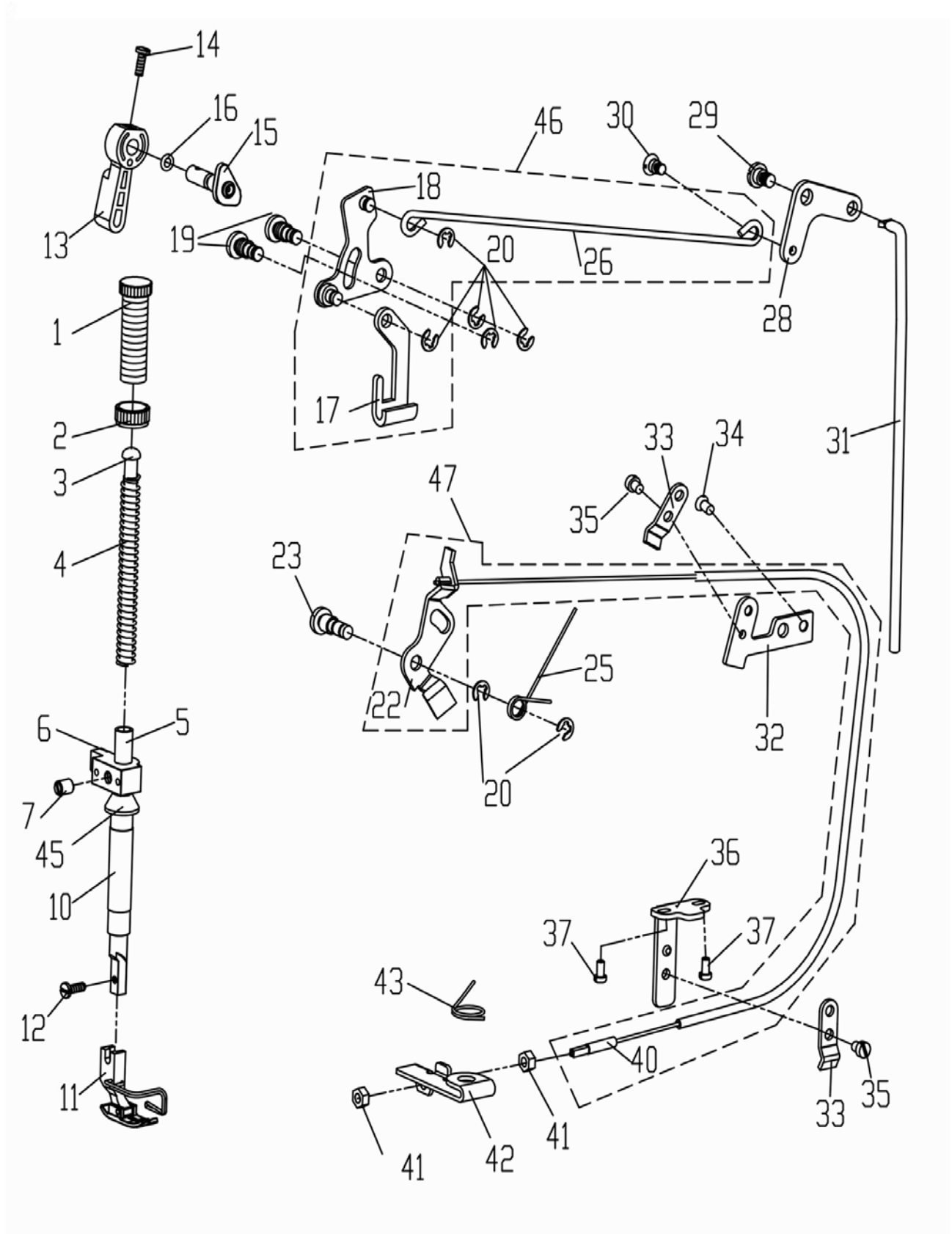
### 3. NEEDLE BAR & THREAD TENSION COMPONENTS





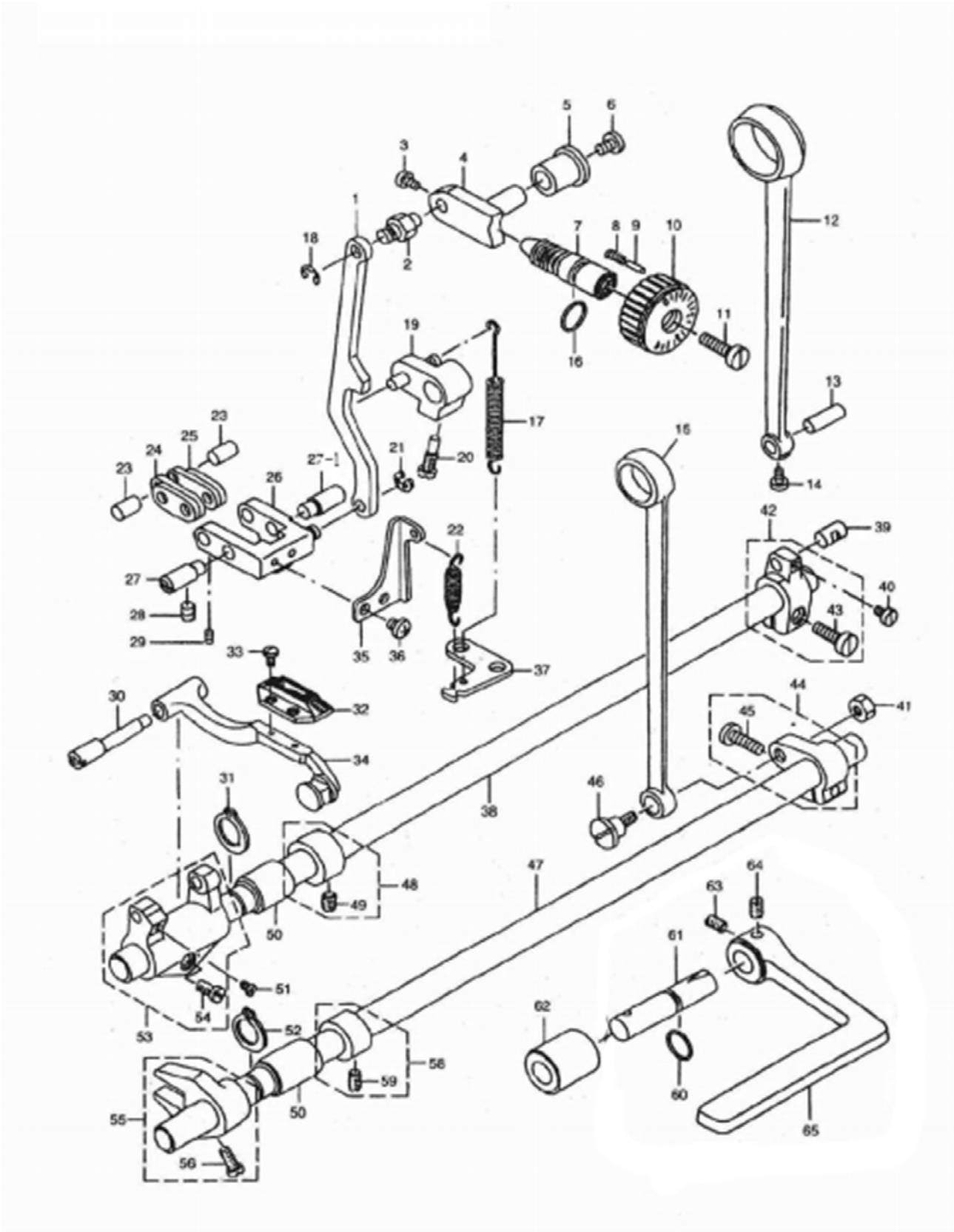
| Ref.No | Part No             | Description                     | QTY |
|--------|---------------------|---------------------------------|-----|
| 1      | JINPF888056D50112   | HOOK ASM. (M)                   | 1   |
|        | JINPF888056D50106   | HOOK ASM. (H)                   | 1   |
| 2      | JINPF888056D5202    | BOBBIN CASB ASM.                | 1   |
| 3      | JINPF555053         | BOBBIN                          | 1   |
| 4      | JINPF888056D5010801 | SCREW                           | 2   |
| 5      | JINPF555055         | POSTIONING FINGER               | 1   |
| 6      | JINBF700S039        | SCREW 11/64-40 L=12             | 1   |
| 7      | JINPF90000507       | HOOK DRIVING SHAFT              | 1   |
| 8      | JINPF555058         | OIL SEAL SCREW ASM.             | 1   |
| 9      | JINPF55505901       | OIL WICK                        | 1   |
| 10     | JINPF90000510       | FRONT BUSHING                   | 1   |
| 11     | JINPF888056D5010802 | SCREW                           | 1   |
| 12     | JINPF90000512       | MID BUSHING                     | 1   |
| 13     | JINPF90000513       | REAR BUSHING                    | 1   |
| 14     | JINPF555029         | SCREW 3/16-28 L=15              | 2   |
| 15     | JINPF6150404        | SNAP RING                       | 1   |
| 16     | JINPF55506261       | SCREW 15/64-28 L=4              | 2   |
| 17     | JINPF555051805      | BEVEL GEAR (SMALL)              | 1   |
| 18     | JINPF55505180501    | SCREW 1/4-40 L=8                | 8   |
| 19     | JINPF555052005      | BEVEL GEAR (LARGE)              | 1   |
| 20     | JINPF90000520       | LOWER BUSHING                   | 1   |
| 21     | JINPF90000521       | UPPER BUSHING                   | 1   |
| 22     | JINPF9800TD410      | SCREW 11/64-28 L=9              | 1   |
| 23     | JINPF5550524        | UPRING SHAFT                    | 1   |
| 24     | JINPF555052505      | BEVEL GEAR (SMALL)              | 1   |
| 25     | JINPF555052605      | BEVEL GEAR (LARGE)              | 1   |
| 27     | JINPF6150404        | SNAP RING                       | 1   |
| 28     | JINPF5550330        | SCREW 15/64-28 L=7              | 2   |
| 29     | JINPF9990709        | OIL SEAL RING                   | 1   |
| 30     | JINPF555037         | RUBBER PLUG                     | 1   |
| 31     | JINPF555036         | UPPER BUSHING OF NEEDLE BAR     | 1   |
| 32     | JINPF5550310        | NEEDLE BAR                      | 1   |
|        | JINPF9000303H       | NEEDLE BAR (H)                  | 1   |
| 33     | JINPF90010331       | NEEDLE BAR TROUGU               | 1   |
| 34     | JINPF6150227        | SLIDE BLOCK 11/64-40 L=8        | 2   |
| 35     | JINPF90010311       | SLIDE BLOCK                     | 1   |
| 36     | JINPF555038         | LOWER BUSHING OF NEEDLE BAR     | 1   |
|        | JINPF90000306H      | LOWER BUSHING OF NEEDLE BAR (H) | 1   |
| 37     | JINPF888056D309     | NEEDLE BAR THREAD GUIDE         | 1   |
|        | JINPF5550H39        | NEEDLE BAR THREAD GUIDE (H)     | 1   |
| 38     | JINPF5550312        | SCREW 1/8-44 L=4.5              | 1   |
| 39     | JINPF5550311        | NEEDLE BAR THREAD GUIDE         | 1   |
| 40     | JINPFDTDB114        | NEEDLE (DBx1#14)                | 1   |
|        | JINPFDTDP521        | NEEDLE (DBx5#21)                | 1   |
| 41     | JINPF55503301       | SCREW 9/64-40 L=6               | 1   |
| 42     | JINPF555033         | NEEDLE BAR HOLDER               | 1   |

#### 4. PRESSER BAR & TENSION RELEASE COMPONENTS



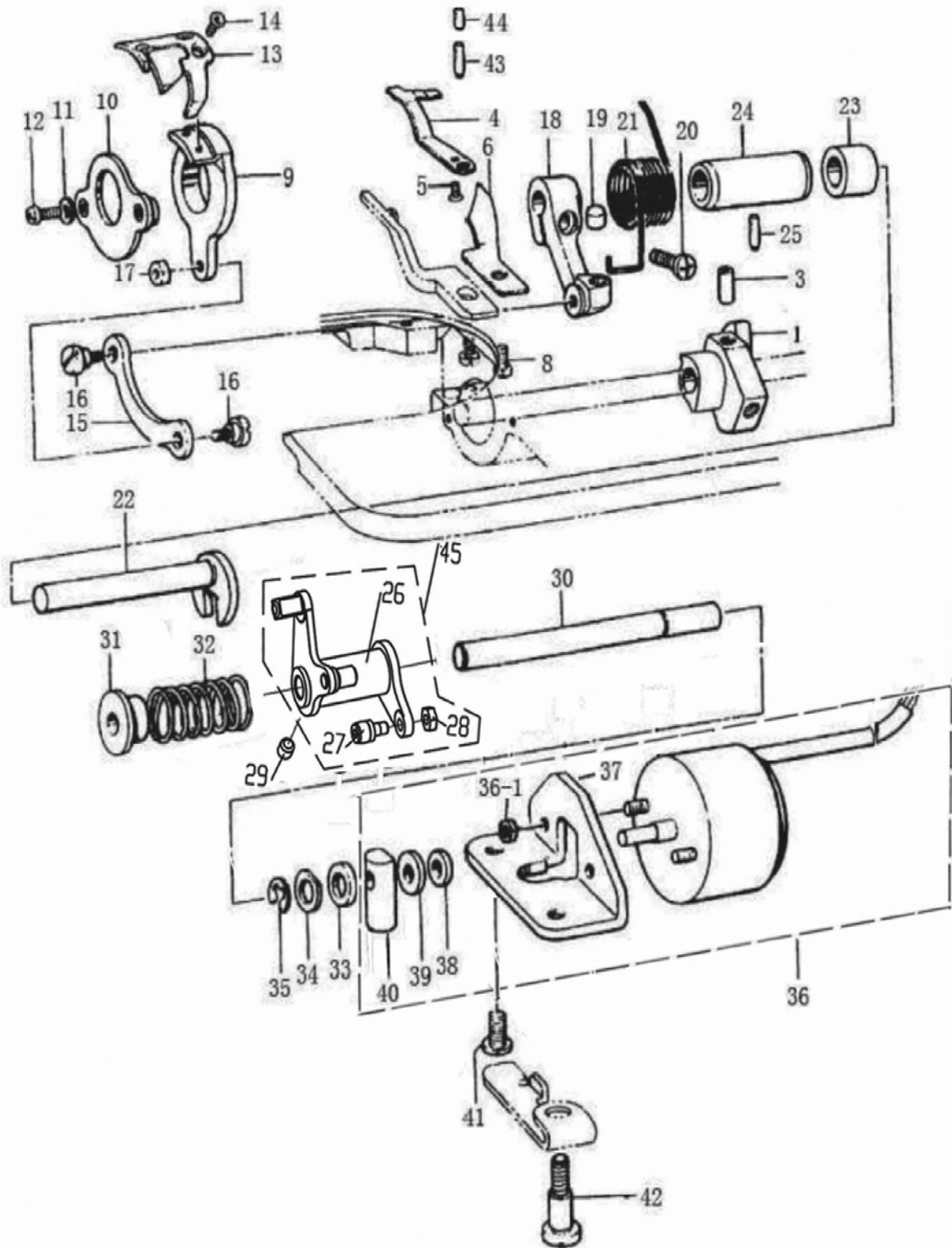
| Ref.No | Part No         | Description                  | QTY |
|--------|-----------------|------------------------------|-----|
| 1      | JINPFQ541       | PRESSER SPRING REGULATOR     | 1   |
| 2      | JINPFQ542       | NUT 1/2-28                   | 1   |
| 3      | JINPF555043     | PRESSER GUIDE BAR            | 1   |
| 4      | JINPF555044     | PRESSER SPRING               | 1   |
| 5      | JINPF555045     | PRESSER GUIDE BAR            | 1   |
| 6      | JINPF90000406   | NEDDLE BAR GUIDE BRACKET     | 1   |
| 7      | JINPF555047     | SCREW 1/4-40 L=8             | 1   |
| 10     | JINPF5550410    | PRESSER BAR BUSHING LOWER    | 1   |
| 11     | JINPF888056D411 | PRESSER FOOT ASM.            | 1   |
|        | JINPF5550H411   | PRESSER FOOT ASM.            | 1   |
| 12     | JINPF5550412    | SCREW 9/64-40 L=10.5         | 1   |
| 13     | JINPFQ541301    | HAND LOFTER                  | 1   |
| 14     | JINPF5550412    | SCREW 9/64-40 L=10.5         | 1   |
| 15     | JINPF90000415   | HAND LOFTER CAM ASM.         | 1   |
| 16     | JINPF5550416    | RUBBER RING                  | 1   |
| 17     | JINPF90000417   | LIFTING LEVER                | 1   |
| 18     | JINPF9000041801 | HAND LIFTER LINK ASM.        | 1   |
| 19     | JINPF5550419    | THREAD PIN                   | 2   |
| 20     | JINSCJ1008      | SNAP RING                    | 7   |
| 22     | JINPF5550422    | TENSION RELEASE PLATE        | 1   |
| 23     | JINPF5550423    | THREAD PIN                   | 1   |
| 25     | JINPF5550425    | TENSION RELEASE RETURN       | 1   |
| 26     | JINPF5550426    | LIFTING LEVER CONNECTING ROD | 1   |
| 28     | JINPF5550428    | LIFTING LEVER LINK           | 1   |
| 29     | JINPF5550429    | HINGE SCREW 15/64-28         | 1   |
| 30     | JINPF5550430    | HINGE SCREW 3/16-32          | 1   |
| 31     | JINPF5550431    | CONNECTING ROD VERRICAL      | 1   |
| 32     | JINPF90000432   | WIRE HOLDER BRACKET(UPPER)   | 1   |
| 33     | JINPF90000438   | WIRE HOLDER BRACKET(UPPER)   | 2   |
| 34     | JINPF5550637    | SCREW 11/64-40 L=8.5         | 1   |
| 35     | JINPF5550725    | SCREW 11/64-40 L=5           | 2   |
| 36     | JINPF90000436   | LOOSING LINE PLATE           | 1   |
| 37     | JINPF68425E28   | SCREW 9/64-40 L=7            | 2   |
| 40     | JINPF9000044002 | LOOSING LINE                 | 1   |
| 41     | JINPF9000044001 | NUT 11/64-40                 | 2   |
| 42     | JINPF90000442   | LOOSING LINE ASM.            | 1   |
| 43     | JINPF90000443   | SPRING                       | 1   |
| 45     | JINPF5550432    | PRESSER BAR OIL SEAL         | 1   |
| 46     | JINPF90000418   | HAND LIFTER LINK ASM.        | 1   |
| 47     | JINPF90000440   | LOOSING LINE ASM.            | 1   |

# 5. FEED MECHANISM COMPONENTS



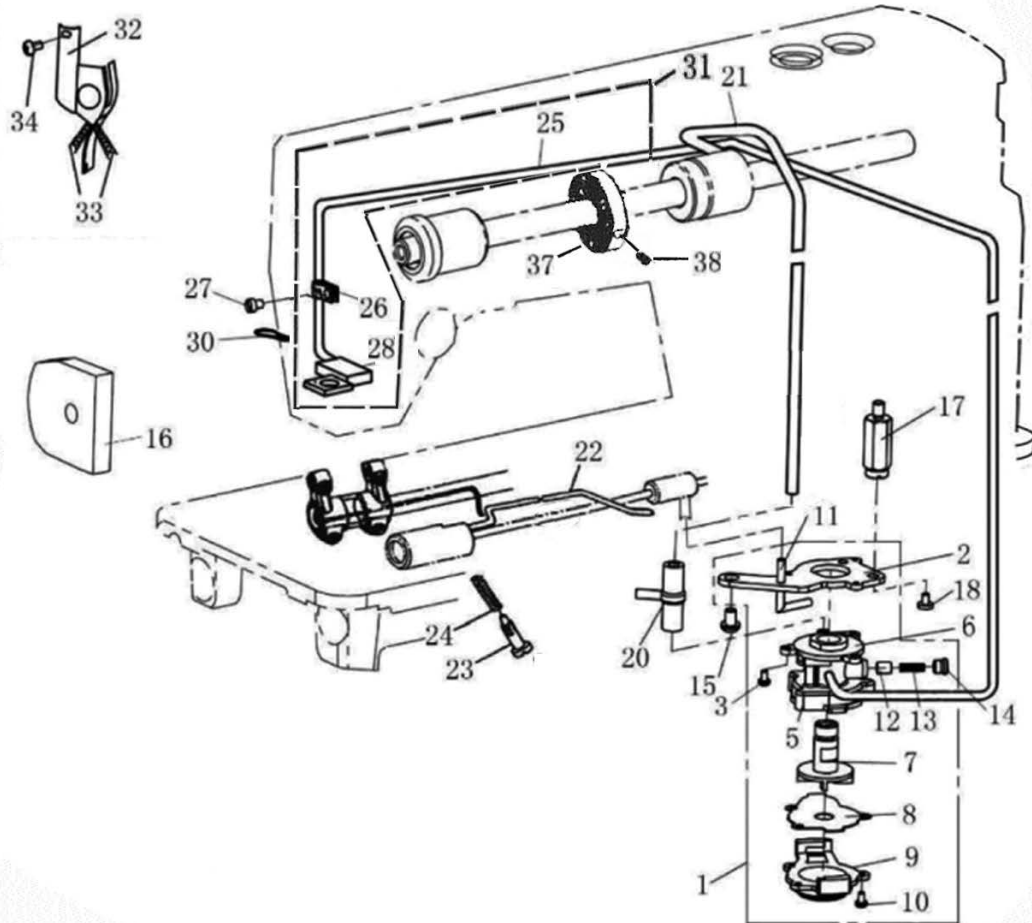
| Ref. No | Part No         | Description                  | QTY |
|---------|-----------------|------------------------------|-----|
| 1       | JINPF9802DP0713 | FEED ADJUST ROD              | 1   |
| 2       | JINPF90000710   | FEEDREGULATOR PIN            | 1   |
| 3       | JINPF5550711    | SCREW 9/64X40 L=6            | 2   |
| 4       | JINPF9802DP0707 | FEED REGULATOR               | 1   |
| 5       | JINPF555078     | FEED REGULATOR BUSING        | 1   |
| 6       | JINPF555079     | SCREW 3/16X28 L=7            | 1   |
| 7       | JINPFS5T0706    | FED REGULATOR SCREW          | 1   |
| 8       | JINPF555076     | SPRING                       | 1   |
| 9       | JINPF9800070401 | FEED ADJUST PIN              | 1   |
| 10      | JINPFQ57201     | FEED DIAL                    | 1   |
| 11      | JINPFQ571       | SCREW 3/16X28 L=16           | 1   |
| 12      | JINPF555066     | ROCKER SHAFT CONNECTING ROD  | 1   |
| 13      | JINPF555067     | WALKING FOOT LONG PIN        | 1   |
| 14      | JINPF555068     | SCREW 9/64X40 L=4            | 1   |
| 15      | JINPF5550649    | CONNECTING ROD               | 1   |
| 16      | JINPF555074     | RUBBER RING                  | 1   |
| 17      | JINPF5550722    | FEED REVERSE SPRING          | 1   |
| 18      | JINPF5550427    | E-RING 5                     | 1   |
| 19      | JINPF9000072101 | FEED REVERSE ARM ASM         | 1   |
| 20      | JINPF5550721    | SCREW                        | 1   |
| 21      | JINPF5550427    | E-RING 5                     | 1   |
| 22      | JINPF5550722    | SPRING                       | 1   |
| 23      | JINPF5550611    | WALKING FOOT PIN             | 2   |
| 24      | JINPF5550609    | CONNRECTING LINK LING PIN    | 2   |
| 25      | JINPF555060901  | CONNECTING LINK SHORT PIN    | 2   |
| 26      | JINPF5550613    | FEED ADJUST LINK ASM         | 1   |
| 27      | JINPF5550614    | ADJUSTING LINK FULCRUM SHAFT | 1   |
| 27-1    | JINPF555061601  | ADJUSTING LINK FULCRUM SHAFT | 1   |
| 28      | JINPF6150326    | SCREW 15/64X28 L=7           | 2   |
| 29      | JINPF555068     | SCREW 9/64X40 L=4            | 2   |
| 30      | JINPF5550632    | FEED BAR SHAFT               | 1   |
| 31      | JINPF5550652    | RETAINING RING               | 1   |
| 32      | JINPF5550634B   | FEDD DOG                     | 1   |
| 32      | JINPF030341     | FEDD DOG                     | 1   |
| 33      | JINPF5550635    | SCREW 1/8X44 L=6             | 2   |
| 34      | JINPF5550628    | FEED BAR ASM                 | 1   |
| 35      | JINPF5550724    | ADJUSTING LINK SPRING GUIDE  | 1   |
| 36      | JINPF6150304    | SCREW 11/64X40 L=5           | 2   |
| 37      | JINPF98000717   | FEED SPRING HOOD             | 1   |
| 38      | JINPF5550622    | FEED ROCKER SHAFT            | 1   |
| 39      | JINPF5550619    | WALKING FOOT MIDDLE PIN      | 1   |
| 40      | JINPF555068     | SCREW 9/64X70 L=6            | 1   |
| 41      | JINPF5550651    | NUT 9/32X28                  | 1   |
| 42      | JINPF5550618    | FEED ROCKER SHAFT CEANK ASM  | 1   |
| 43      | JINPF555068     | SCREW 3/16X28 L=15.5         | 1   |
| 44      | JINPF5550647    | LIFTING ROCER ASM            | 1   |
| 45      | JINPF5550648    | SCREW 3/16X28L=14            | 1   |
| 46      | JINPF5550650    | HINGE SCREW                  | 1   |
| 47      | JINPF5550644    | FEED DRIVING SHAFT           | 1   |
| 48      | JINPF5550653    | THRUST COLLAR ASM            | 1   |
| 49      | JINPF5550625    | SCREW 1/4X40 L=6             | 1   |
| 50      | JINPF5550626    | FEED ROCKER SHAFT BUSHING    | 2   |
| 51      | JINPF5550633    | SCREW 11/64X40 L=7           | 2   |
| 52      | JINPF5550652    | RETAINING RING               | 1   |
| 53      | JINPF5550628    | FEED BAR CRANK ASM           | 1   |
| 54      | JINPF5550629    | SCREW 3/16X28 L=14           | 1   |
| 55      | JINPF5550642    | DRIVING SAFT CRANK ASM       | 1   |
| 56      | JINPF6150607    | SCREW 3/16X28 L=10.5         | 1   |
| 58      | JINPF5550653    | THRUST COLLAR ASM            | 1   |
| 59      | JINPF6150304    | SCREW 1/4X40 L=6             | 2   |
| 60      | JINPF5550715    | RUBBER RING                  | 1   |
| 61      | JINPF9000072301 | FEED REVERSE SHAFT           | 1   |
| 62      | JINPF5550716    | FEED LEVER METAL             | 1   |
| 63      | JINPF5550330    | SCREW 1/4X40 L=8.5           | 1   |
| 64      | JINPF5550718    | SCREW 1/4X40 L=10            | 1   |
| 65      | JINPFQ156502    | REVERSE FEED CONTROL LEVER   | 1   |

## 6. THREAD TRIMMER COMPONENTS



| Ref.No | Part No         | Description                  | QTY |
|--------|-----------------|------------------------------|-----|
| 1      | JINPF90008101   | THREAD TRIMMER CAM           | 1   |
| 3      | JINPF90008103   | SCREW 1/4-40 L=10            | 2   |
| 4      | JINPF90008104   | CONNTER KNIFE                | 1   |
| 5      | JINPF68425H26   | SCREW                        | 1   |
| 6      | JINPF90008106   | DISPART THREAD SHUTTLE       | 1   |
| 8      | JINPF6150211    | SCREW                        | 1   |
| 9      | JINPF90008109   | ROUND KNIFE BRACKET          | 1   |
| 10     | JINPF90008110   | KNIFE HOLDER ASM             | 1   |
| 11     | JINPF5550630    | WASHER                       | 2   |
| 12     | JINPF90008112   | SCREW                        | 2   |
| 13     | JINPF9000811301 | ROUND KNIFE                  | 1   |
|        | JINPF90008113   | ROUND KNIFE Heavy            | 1   |
| 14     | JINPF90008114   | SCREW                        | 2   |
| 15     | JINPF90008115   | KNIFE SHAFT CRANK ROD        | 1   |
| 16     | JINPF90008116   | SCREW                        | 2   |
| 17     | JINPF90008117   | NUT                          | 1   |
| 18     | JINPF90008118   | TRIMMING CRANK               | 1   |
| 19     | JINPF9000811801 | BLOCK                        | 1   |
| 20     | JINPF9000812001 | SCREW                        | 1   |
| 21     | JINPF90008121   | REPLACE SPRING               | 1   |
| 22     | JINPF90008122   | TRIMMING CRANK SHAFT         | 1   |
| 23     | JINPF90008123   | SHORT BUSHING                | 1   |
| 24     | JINPF90008124   | BUSHING                      | 1   |
| 25     | JINPF55506461   | SCREW                        | 1   |
| 26     | JINPF9000812603 | TRIMMING CAM CRANK           | 1   |
| 27     | JINPF9000812601 | ROLLER BEARING SHAFT ASM.    | 1   |
| 28     | JINPF9000812602 | NUT 11/64-40                 | 1   |
| 29     | JINPF90008129   | SCREW 1/4-40 L=6             | 1   |
| 30     | JINPF90008130B  | TRIMMING SHAFT               | 1   |
| 31     | JINPF90008131   | SPRING COVER                 | 1   |
| 32     | JINPF90008132   | SPRING                       | 1   |
| 33     | JINPF90008133   | WASHER                       | 1   |
| 34     | JINPF90008134   | CLIP                         | 1   |
| 35     | JINSCJ1009      | WASHER                       | 1   |
| 36     | JINPF9802804    | THREAD TRIMMER SOLENOID ASM. | 1   |
| 36-1   | JINPF980280401  | NUT (M4)                     | 2   |
| 37     | JINPF980280402  | SOLENOID BASE                | 1   |
| 38     | JINPF980280403  | WASHER                       | 1   |
| 39     | JINPF980280404  | WASHER                       | 1   |
| 40     | JINPF980280405  | SOLENOID CONNECTING SHAFT    | 1   |
| 41     | JINPF90008141   | SCREW 1/4-28                 | 1   |
| 42     | JINPF90008142   | SCREW 1/4-28                 | 1   |
| 43     | JINPF900081412  | SCREW 1/8-44X6               | 1   |
| 44     | JINBF7005292    | SCREW 1/8-44X3               | 1   |
| 45     | JINPF90008126   | TRIMMING CAM CRANK ASM.      | 1   |

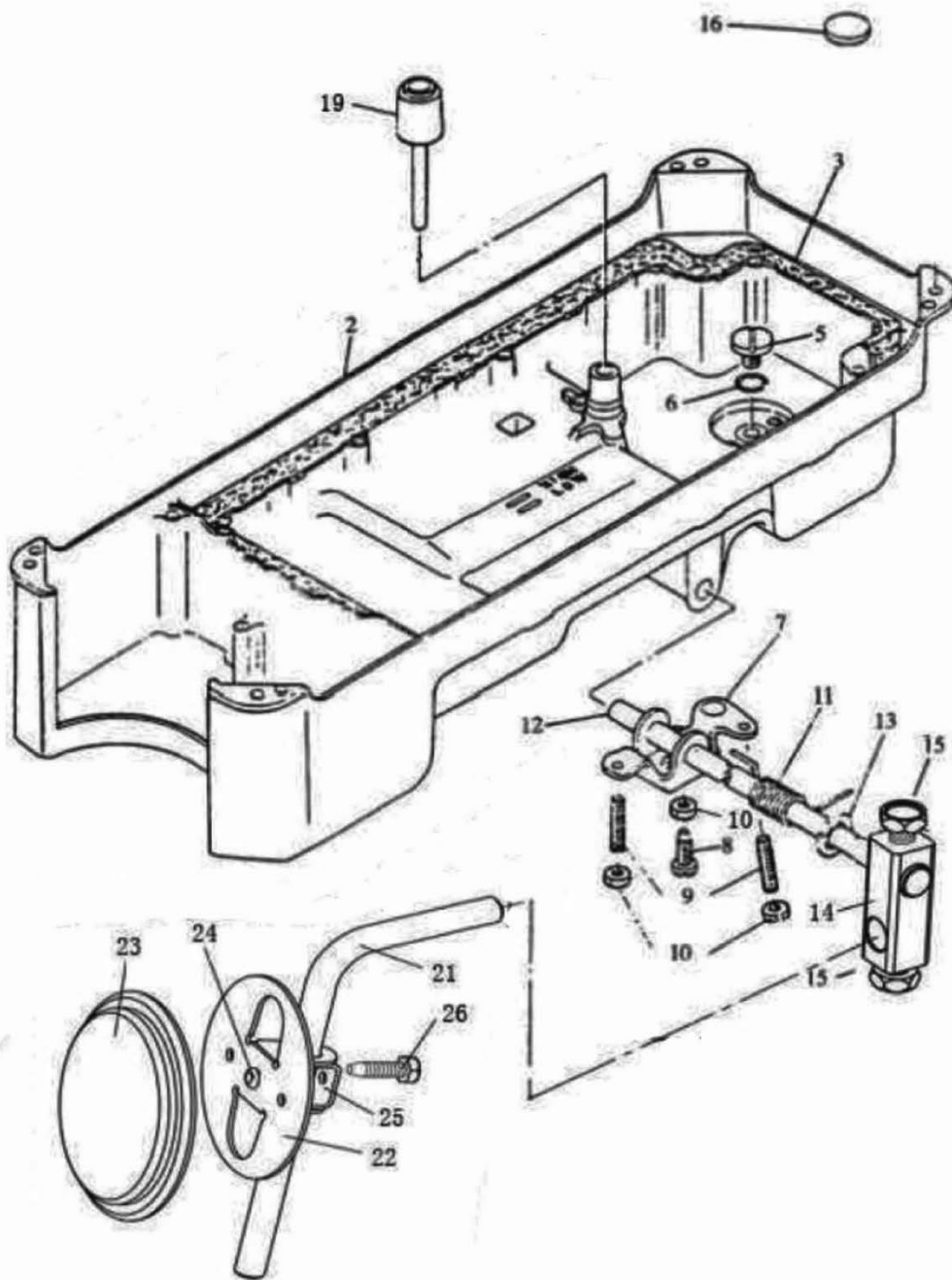
## 7. LUBRICATION COMPONENTS





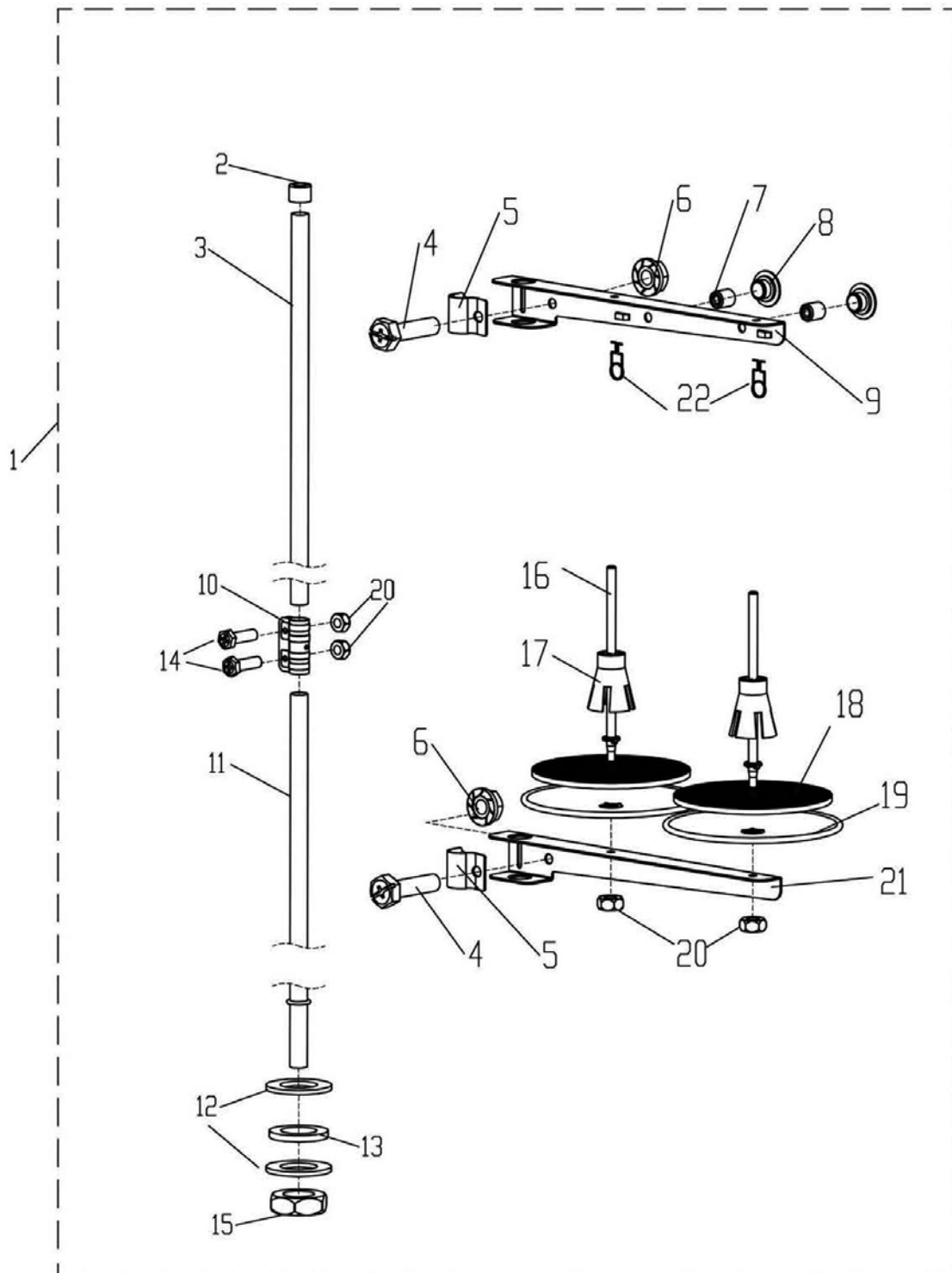
| Ref.No | Part No          | Description                 | QTY |
|--------|------------------|-----------------------------|-----|
| 1      | JINPF555081      | LUBRICATING OIL PUMP ASM.   | 1   |
| 2      | JINPF55508101    | OIL PUMP INSTALLING BASE    | 1   |
| 3      | JINPF55508102    | SCREW                       | 3   |
| 5      | JINPF55508103    | OIL PUMP                    | 1   |
| 6      | JINPF55508104    | OIL PUMP BUSHING            | 1   |
| 7      | JINPF55508105    | OIL PUMP IMPELLER           | 1   |
| 8      | JINPF55508106    | OIL PUMP IMPELLER COVER     | 1   |
| 9      | JINPF55508107    | LUBRICAING OIL PUMP COVER   | 1   |
| 10     | JINPF55508108    | SCREW                       | 3   |
| 11     | JINPF55508109    | HOOK DRIVING SHAFT OIL TUBE | 1   |
| 12     | JINPF55508110    | PLUNGER                     | 1   |
| 13     | JINPF55508111    | PLUNGER SPRING              | 1   |
| 14     | JINPF55508112    | SCREW                       | 1   |
| 15     | JINPF5550823     | SCREW                       | 1   |
| 16     | JINPF90011038    | SPONGE                      | 1   |
| 17     | JINPF5550815     | OIL PUMP SUPPORT            | 1   |
| 18     | JINPF555056      | SCREW                       | 1   |
| 20     | JINPF5550817     | RUBBER JOINT                | 1   |
| 21     | JINPF90001021    | MAIN SHAFT OIL TUBE         | 1   |
| 22     | JINPF5550819     | OIL TUBE                    | 1   |
| 23     | JINPF6150408     | OIL ADJUSTING SCREW         | 1   |
| 24     | JINPF5550821     | SPRING                      | 1   |
| 25     | JINSCJ5030       | OIL RETURN GUARD            | 1   |
| 26     | JINPF5550827     | OIL RETURN TUBE HOLDER      | 1   |
| 27     | JINPF5550230     | SCREW                       | 1   |
| 28     | JINPF5550830     | OIL FELT                    | 1   |
| 30     | JINPF5550831     | OIL FELT PRESSER            | 1   |
| 31     | JINPF5550830YGZJ | OIL RETURN GUARD ASM        | 1   |
| 32     | JINPF5550832     | OIL WICK SUPPORT            | 1   |
| 33     | JINPF5550833     | OIL WICK                    | 1   |
| 34     | JINPF5550834     | SCREW                       | 1   |
| 37     | JINPF03030223    | WHEEL                       | 1   |
| 38     | JINPF68425H33    | SCREW                       | 2   |

## 8. PRESSER FOOT COMPONENTS OF OIL PLATE KNEE LIFT



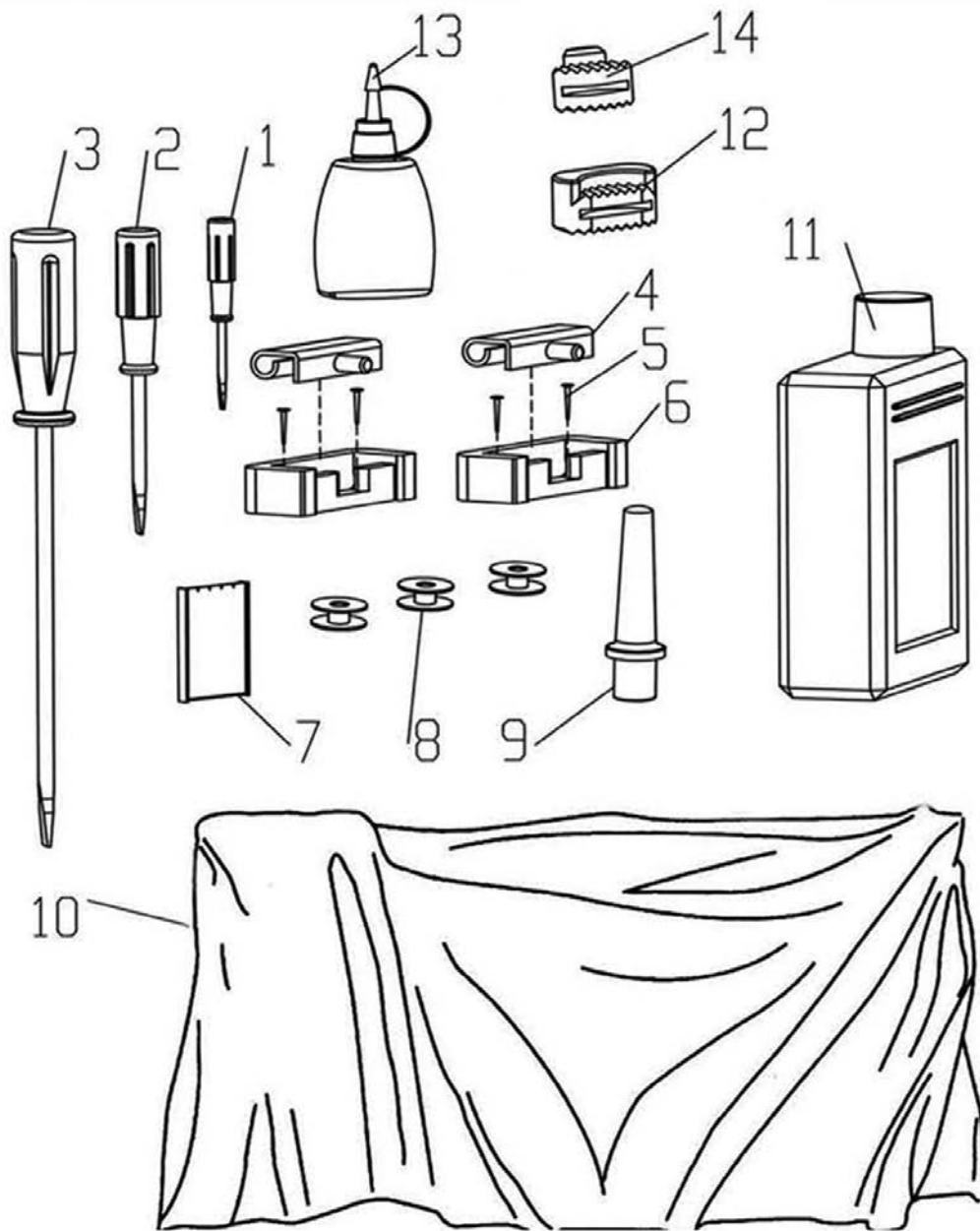
| Ref.No | Part No      | Description                    | QTY |
|--------|--------------|--------------------------------|-----|
| 2      | JINPF555092  | OIL PLATE                      | 1   |
| 3      | JINPF555093  | OIL PLATE BED                  | 1   |
| 5      | JINPF555095  | OIL EXPRACTION HOLE SCREW      | 1   |
| 6      | JINPF555096  | RUBBER RING                    | 1   |
| 7      | JINPF5550912 | TWO-WAY CRANK                  | 1   |
| 8      | JINPF5550913 | SCREW                          | 1   |
| 9      | JINPF5550914 | BANKING SCREW OF TWO-WAY CRANK | 2   |
| 10     | JINPF5550915 | BANKING NUT OF TWO-WAY CRANK   | 3   |
| 11     | JINPF5550916 | TWISTING SPRING                | 1   |
| 12     | JINPF5550917 | LIFTING PRESSOR FOOT SHAFT     | 1   |
| 13     | JINSCJ1014   | OPEN SHIELD RING               | 1   |
| 14     | JINPF5550919 | OPERATING BAR HEAD             | 1   |
| 15     | JINPF5550930 | OPERATING BAR HEAD SCREW       | 2   |
| 16     | JINSCJ6012   | OIL PLATE MAGNET               | 1   |
| 19     | JINPF5550911 | TOP PIN                        | 1   |
| 21     | JINPF5550922 | OPERATING BAR                  | 1   |
| 22     | JINPF5550923 | OPERATING PLATE                | 2   |
| 23     | JINPF5550924 | SOFT CUSHION OF OPERATING BAR  | 1   |
| 24     | JINPF5550925 | OPERATING BAR BED              | 1   |
| 25     | JINPF5550926 | OPERATING BAR TIP              | 1   |
| 26     | JINPF5550927 | TIP SCREW                      | 1   |

## 9. COMPONENTS OF THREAD-RUNNING STAND



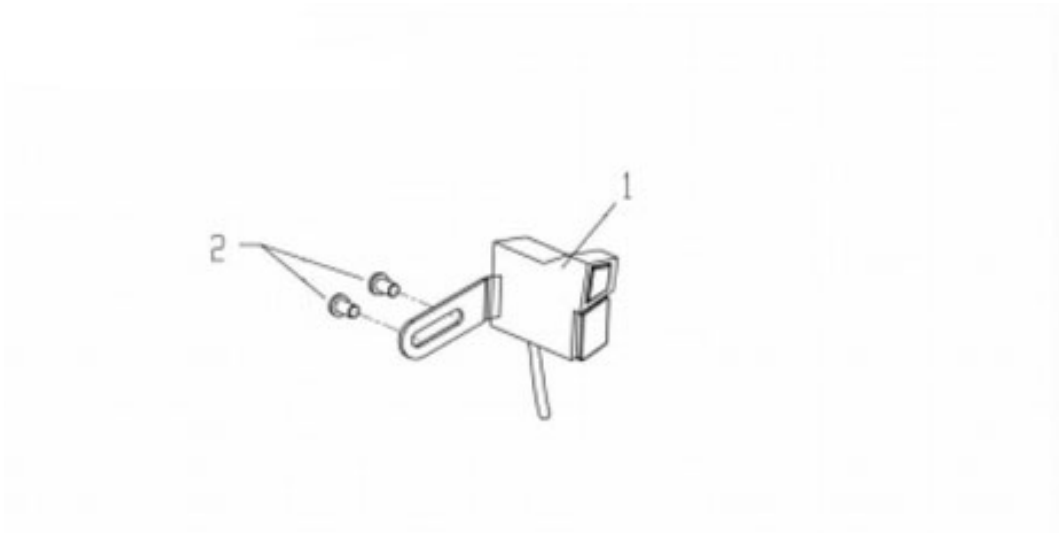
| Ref. No | Part No           | Description                   | QTY |
|---------|-------------------|-------------------------------|-----|
| 1       | JINPF5550112701   | THREAD STAND AMS.             | 1   |
| 2       | JINPF555011270101 | COLUMN CAP                    | 1   |
| 3       | JINPF5550112702   | COLUMN PIPE (UPPER)           | 1   |
| 4       | JINPF5550112703   | SCREW                         | 2   |
| 5       | JINPF5550112704   | THREAD GUIDE ARM JOINT        | 2   |
| 6       | JINPF5550112705   | NUT                           | 2   |
| 7       | JINPF5550112706   | THREAD GUIDE PIPE             | 2   |
| 8       | JINPF5550112707   | THREAD GUIDE BUSHING          | 2   |
| 9       | JINPF5550112708   | THREAD HANGER (2 SPOOLS TUPE) | 1   |
| 10      | JINPF5550112709   | COLUMN PIPE CONNECTOR         | 1   |
| 11      | JINPF5550112710   | COLUMN PIPE (LOWER)           | 1   |
| 12      | JINPF5550112711   | WASHER                        | 2   |
| 13      | JINPF5550112712   | WASHER                        | 1   |
| 14      | JINPF5550112713   | SCREW                         | 2   |
| 15      | JINPF5550112714   | NUT                           | 1   |
| 16      | JINPF5550112715   | SPOOL PIN                     | 2   |
| 17      | JINPF5550112716   | SPOOL CUSHION                 | 2   |
| 18      | JINPF5550112717   | SOFT CUSHION OF THREAD PLARE  | 2   |
| 19      | JINPF5550112718   | THREAD PLATE                  | 2   |
| 20      | JINPF5550112719   | NUT                           | 4   |
| 21      | JINPF5550112720   | THREAD HANGE (LOWER)          | 1   |
| 22      | JINPF5550112721   | THREAD GUIDE RING             | 2   |

# 10. AUXILIARIES



| Ref.No | Part No         | Description           | QTY |
|--------|-----------------|-----------------------|-----|
| 1      | JINPF55501018   | SCREW DRIVER (SMALL)  | 1   |
| 2      | JINPF55501017   | SCREW DRIVER (MIDDLE) | 1   |
| 3      | JINPF55501016   | SCREW DRIVER (LARGE)  | 1   |
| 4      | JINPF5550101    | HINGE COMPL           | 2   |
| 5      | JINSCJ6018      | RUBBER CUSHION NAIL   | 6   |
| 6      | JINPF5550102    | RUBBER CUSHION        | 2   |
| 7      | JINPFDTDB114    | NEEDLE                | 1   |
| 8      | JINPF0302319    | BOBBIN                | 3   |
| 9      | JINPF55501021   | FRAME SUPPORT BAR     | 1   |
| 10     | JINPF0303104004 | FRAMEVINYL COVER      | 1   |
| 11     | JINPF55501022   | OIL BOTTLE WITH OIL   | 1   |
| 12     | JINPF555099     | NOSE SUPPORT          | 2   |
| 13     | JINPF61501105   | OILER ASM.            | 1   |
| 14     | JINPF555098     | DIE CUSHION           | 2   |

## 11. REVESE SEWING SWITCH ASM





| Ref. No | Part No       | Description           | QTY |
|---------|---------------|-----------------------|-----|
| 1       | JINPFQ2019201 | REVEVSE SEWING SWITCH | 1   |
| 2       | JINPF555016   | SCREW                 | 2   |

**Company Name:** JUKI SINGAPORE PTE LTD.

**ADD:** 20 BENDEMEER ROAD, #04-12 BS BENDEMEER CENTRE SINGAPORE 339914

**Tel:** (65)6553-4388

**HP:** <http://www.juki.com.sg/>

**E-mail:** [we.sgp-sales@ml.juki.com](mailto:we.sgp-sales@ml.juki.com)

**Company Name:** Juki Machinery Vietnam Company Ltd.

**ADD:** 153 HOA LAN STR., WARD 2, PHU NHUAN DIST., HO CHI MINH CITY, VIETNAM

**Tel:** (84)28-35178833

**FAX:** (84)28-35178318

**E-mail:** [sales@jukimv.com](mailto:sales@jukimv.com)

**Company Name:** Juki Machinery Bangladesh Ltd

**ADD:** NATORE TOWER (5TH FLOOR) PLOT#32-D & 32-E, ROAD#02, SECTOR#03,

UTTARA MODEL TOWN, DHAKA, BANGLADESH

**Tel:** (880)2-48954731

**FAX:** (880)2-48954733

**E-mail:** [vl.jmbl-info@ml.juki.com](mailto:vl.jmbl-info@ml.juki.com)

**Company Name:** Juki India Private Limited

**ADD:** GROUND AND 1ST FLOOR, NO.1090/I, 18TH CROSS ROAD, 3RD SECTOR,

HSR LAYOUT BANGALORE-560 102, KARNATAKA STATE, INDIA

**Tel:** (91)80-4251-1900

**FAX:** (91)80-4251-1999

**HP:** <http://jukiindia.com/>

**E-mail:** [jukiblr@jukiindia.com](mailto:jukiblr@jukiindia.com)

**Company Name:** JUKI CENTRAL EUROPE

**ADD:** UL. POLECZKI 21 (PLATAN PARK C) 02-822 WARSAW, POLAND

**Tel:** (48)22-545-0400

**FAX:** (48) 22-5450411

**HP:** <http://jukieurope.com/>

**Company Name:** JUKI America INC