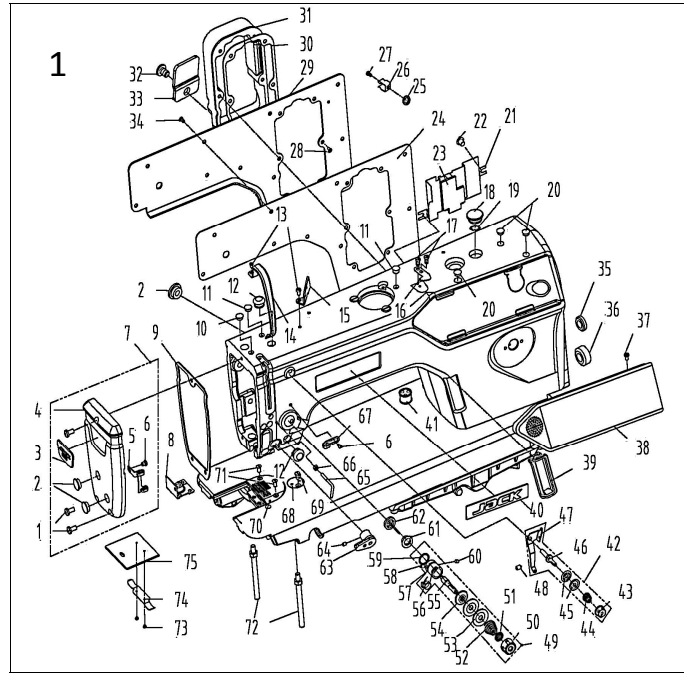
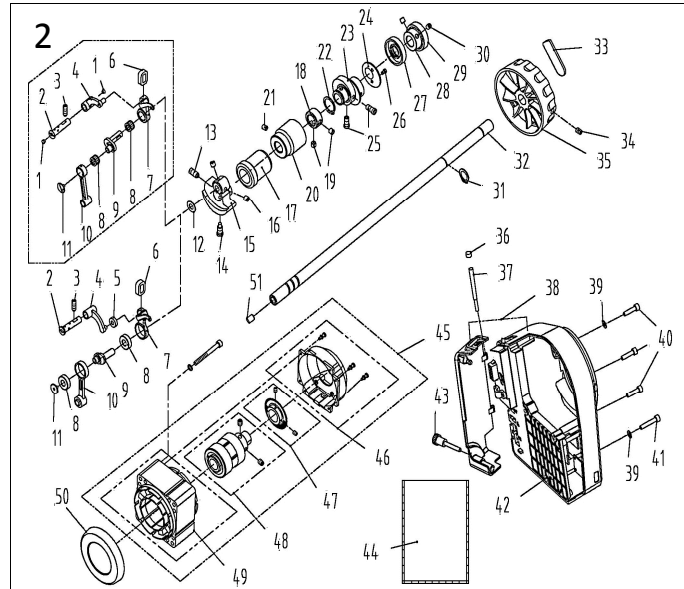


A6F 系列 A6F Series



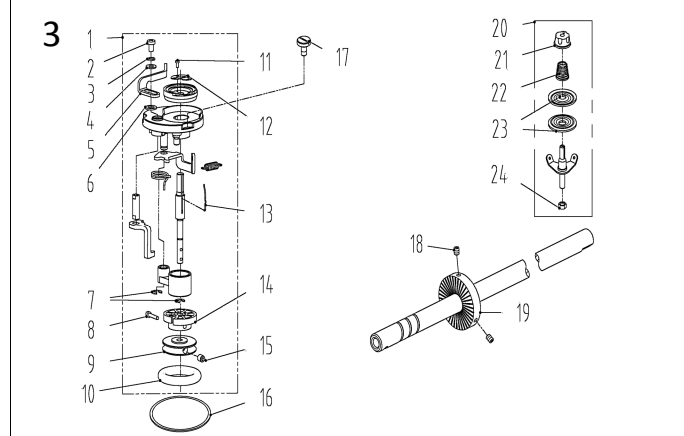
1. 机壳、外装部件/Machine Frame & Miscellaneous Cover Components

序号 NO	公司件号	Part NO	名称	PartName	零件描述	Description	数量	Number
1	101511001		后盖螺钉	Screw SM3/16" x 28 L=9			3	
2	10122003		面板调节孔塞	Rubber plug			1	
3	14437001		面板板	Head card			1	
4	14401005		面板	Face plate			1	
5	13813005		左线轴	Thread guide left			1	
6	101511007		右线轴螺钉	Screw SM11/64" x 40 L=6			2	
7	303979		面板(喷漆)	Face plate asm			1	
8	14422001		针杆油封套	Needle bar oil seal set			1	
9	14422004		面板垫	Face plate gasket			1	
10	13122003		针杆孔塞	Rubber plug			1	
11	10122005		挑线连杆销孔塞	Rubber plug			1	
12	10122004		针杆曲柄销孔塞	Rubber plug			2	
13	101511004		挑线杆护套螺钉 SM3/16" x 28 L=7	Screw SM3/16" x 28 L=7			1	
14	138112018		挑线杆防护罩	Thread take-up lever cover			1	
15	13512004		三孔线轴	3-hole thread guide			1	
16	11419001		割线刀	Knife			1	
17	114511015		割线刀螺钉	Screw			1	
18	21022007		油封	Rubber plug			1	
19	21012018		油封垫	Oil sealing washer			1	
20	13822001		操作屏孔塞	Rubber plug			3	
21	14412021		隔油板	Oil preventing plate			1	
22	141511002		圆柱头螺钉 SM3/16" x 28	Screw SM3/16" x 28			2	
23	14423002		隔油板棉	Oil cotton			1	
24	14422005		后盖板垫	Side plate gasket			1	
25	10128016		橡胶脚垫(喷漆)	Washer			1	
26	13812007		凸盖	Buckle			1	
27	504021		螺钉	Screw			1	
28	101511001		后盖板螺钉 SM3/16" x 28 L=9	Screw SM3/16" x 28 L=9			6	
29	303978		后盖板(喷漆)	Side plate			1	
30	14422002		拾压电磁铁盖板垫	Flat pad			1	
31	303980		拾压脚电磁铁盖板(喷漆)	Presser foot electromagnet cover plate			1	
32	101511033		油盖压板螺钉	Screw			1	
33	14412022		电线压板	Wire clamp			1	
34	101511001		后盖板螺钉 SM3/16" x 28 L=9	Screw SM3/16" x 28 L=9			12	
35	10122006		送料调节孔塞	Rubber plug			1	
36	10122007		下轴工艺孔塞	Rubber plug			1	
37	13850501		操作面板螺钉	Screw			2	
38	14430021		操作面板组件(喷漆)	Control panel qixing			1	
39	14422007		装饰条	Decorative article			1	
40	14437002		机头板	Head card			1	
41	14122001		橡皮脚(四孔)	Rubber plug			1	
42	141130040		小夹线器螺母	Thread tension asm			1	
43	141516019		小夹线器螺母	Thread tension nut			1	
44	11227001		小夹线器弹簧	Thread tension spring			1	
45	14112017		小夹线器板	Thread tension disk			2	
46	13810068		小夹线器柱	Thread tension post			1	
47	13812066		过线板	Thread tension guide plate			1	
48	13850306		小夹线器固定螺钉 SM3/16" x 28 L=7	Screw SM3/16" x 28 L=7			1	
49	141130000		夹线器零件(螺母)	Thread tension asm			1	
50	141130000		夹线器零件(螺母)	Thread tension asm			1	
51	141516013		小夹线器螺母	Thread tension nut			1	
52	101112007		夹线器脚踏	Thread disk rotating stopper			1	
53	10127002		夹线器弹簧	Thread tension spring A			1	
54	11427050		夹线器弹簧(厚料)	Thread tension spring A (-H)			1	
55	14112015		夹线器板	Thread tension disk			2	
56	14112016		夹线器板	Disk stopper			1	
57	141530001		夹线器柱	Thread tension post			1	
58	10127001		挑线轴	Thread take-up spring			1	
59	10127031		挑线轴(厚料)	Thread take-up spring (-H)			1	
60	10103011		挑线轴调节座	Thread tension base			1	
61	101515005		夹线器固定螺钉 SM9/64" x 40 L=5.5	Screw SM9/64" x 40 L=5.5			1	
62	10122014		挑线轴调节 O 型圈	Rubber ring			1	
63	101515010		左轴螺钉	Screw SM15/64" x 28 L=10.5			1	
64	14403003		松线杆支撑套	Loose wire nail support sleeve			1	
65	144260030		松线杆组件	Loose wire nail asm			1	
66	144300010		电子夹线器组件	Nest less e-device			1	
67	207514007		G8/T80 凹齿固定螺钉 M4 x 6	Screw M4x6			1	
68	13113001		固定式导线轴	Thread guide			1	
69	401516001		螺母 SM9/64" x 40	Nut SM9/64" x 40			1	
70	10113004		右线轴	Thread guide right			1	
71	13812019		卷边器	Ruler stop seat			1	
72	101511002		卷边器螺钉	Screw SM11/64" x 40 L=5.5			1	
73	13115001		针板	Needle plate			1	
74	13115002		针板(厚料)	Needle plate (-H)			1	
75	104537002		针板螺钉	Screw SM11/64" x 40			2	
76	140512001		压板头柱	Machine head stud			2	
77	101511019		推板螺钉	Slide plate			2	
78	10127009		推板簧	Slide plate spring			1	
79	10151002		推板	Screw SM3/32" x 56 L=2			1	

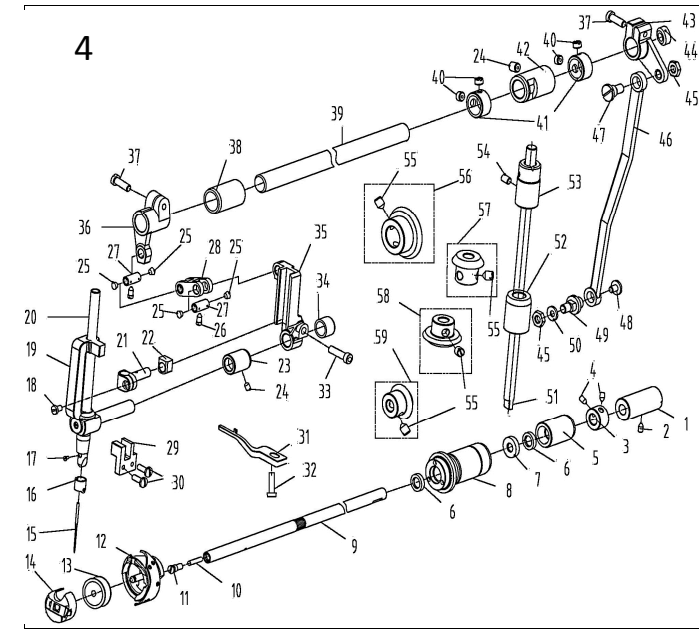


2. 上轴、挑线部件/Main Shaft & Thread Take-up Components

序号NO	公司件号	Part NO	名称	PartName	零件描述	Description	数量	Number
1	13111002		塞子	Plug			2	
2	12226001		挑线杆销	Thread take-up connecting rod pin			1	
3	101515001		上轴螺钉	Screw SM15/64" x 28 L=15			1	
4	12205001		挑线杆	Thread take-up connecting rod			1	
5	21305010		挑线杆(厚料)	Thread take-up connecting rod (-H)			1	
6	804020		G8/T27.8 轴承 695ZZ	Bearing 695ZZ			1	
7	14422008		挑线杆脚踏橡胶	Thread take-up lever rubber			1	
8	1223800100		挑线杆分组件	Thread take-up lever asm			1	
9	1133800200		挑线杆分组件(厚料)	Thread take-up lever asm (-H)			1	
10	904008		G8/T27.8 轴承 695ZZ	Bearing 695ZZ			1	
11	10124001		挑线杆脚踏橡胶(厚料)	Needle rubber (-H)			2	
12	13810012		挑线杆分组件	Thread take-up crank			1	
13	11310010		挑线杆分组件(厚料)	Thread take-up crank (-H)			1	
14	1440500400		针杆连杆	Needle bar connecting rod			1	
15	10109002		针杆连杆(厚料)	Needle bar connecting rod (-H)			1	
16	101517001		挑线杆螺母(左座)	Screw			1	
17	10112003		针杆曲柄护板	Needle bar crank protecting plate			1	
18	101515004		针杆曲柄固定螺钉 SM9/32" x 28 L=16	Screw SM9/32" x 28 L=16			1	
19	10111003		针杆曲柄固定螺钉 SM9/32" x 28 L=16	Screw SM9/32" x 28 L=16			1	
20	13804001		针杆曲柄	Needle bar crank			1	
21	10404001		针杆曲柄(厚料)	Needle bar crank (-H)			1	
22	101515002		送料轴固定螺钉 SM1/4" x 40 L=6	Screw SM1/4" x 40 L=6			2	
23	1440300200		送料轴前盖组件	Main shaft bushing front			1	
24	10108001		送料轴	Main shaft thrust collar			1	
25	101514001		上轴中轴套	Screw SM1/4" x 40 L=6			2	
26	14403000		上轴中轴套	Main shaft bushing mid			1	
27	101515006		夹线器螺钉 SM15/64" x 28 L=7	Screw SM15/64" x 28 L=7			1	
28	H03002		限位圈	Snap ring 20			1	
29	11310014		送料偏心凸轮	Feed eccentric cam			1	
30	101120017		送料轴前盖	Cover plate			1	
31	101511013		送料轴心轴螺钉 SM1/4" x 40 L=13	Screw SM1/4" x 40 L=13			2	
32	11310003		送料轴心轴	Screw SM9/64" x 40 L=5			2	
33	14422009		送料轴油封	Oil seal			1	
34	14403008		送料轴衬套	Bearing bush			1	
35	806023		G8/T27.8-201.3 轴承 604-2RS	Needle bearing			1	
36	510018		G8/T80 凹齿固定螺钉 M6 x 0.75 x 6	Screw M6x0.75x6			2	
37	H03001		G8/T89.4-1.98 限位圈 15	Snap ring 15			1	
38	14402001		上轴	Main shaft			1	
39	13811021		手轮胶条	Handwheel lable			1	
40	510009		螺钉	Screw			2	
41	302830		手轮(喷漆)	Handwheel			1	
42	12922015		橡皮塞	Rubber plug			1	
43	13826009		限位台销	Pin			1	
44	144113000		一体机电控箱组件(喷漆)	Eletronic control box			1	
45	W01009		G8/T97.1-1.985 垫圈 5	Washer 5			1	
46	11413001		直轴电机螺钉 M5 x 20	Screw M5x20			1	
47	114130001		螺帽(内六角) M5 x 25	Screw M5x25			1	
48	14133002		一体机电控箱(喷漆)	Eletronic control box			1	
49	144330001		电控箱后盖螺钉	Screw			1	
50	13813015		塑料袋 28x18cm 厚 0.03mm	Plastic bag 28x18cmx0.03mm			1	
51	13813050		光电编码器(喷漆)	Servo motor			1	
52	1381300700		电机编码器组件(喷漆)	Encoder housing assembly			1	
53	1381300900		电机编码器	Motor/generating sensor arm			1	
54	1381300400		电机转子总成	Motor rotor			1	
55	138130030		电机定子总成(喷漆)	Motor stator housing			1	
56	13811060		绝缘防护罩	Insulating shield			1	
57	10122012		上轴孔塞	Rubber plug			1	

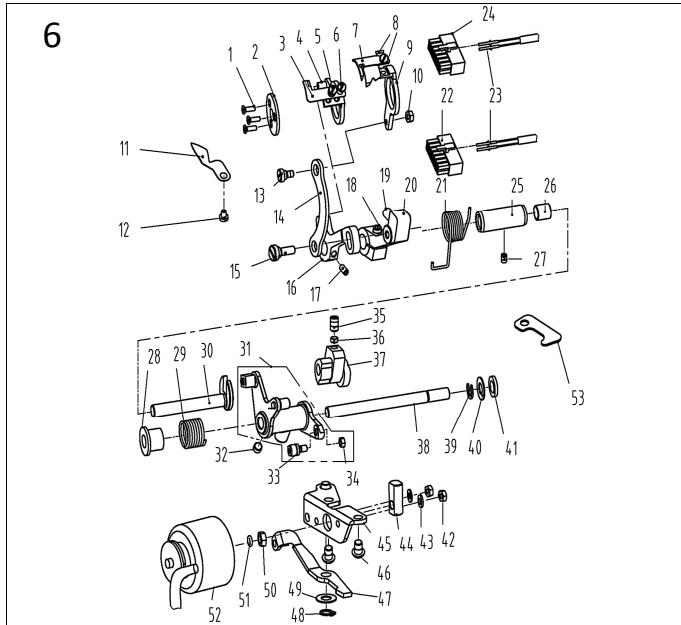


3. 绕线部件/Bobbin Components



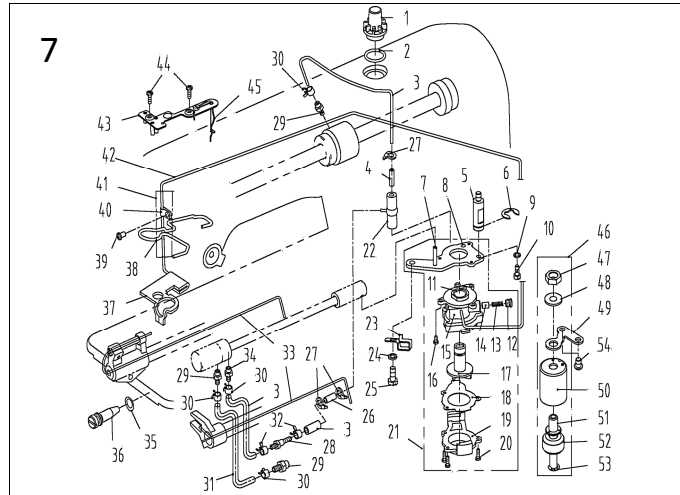
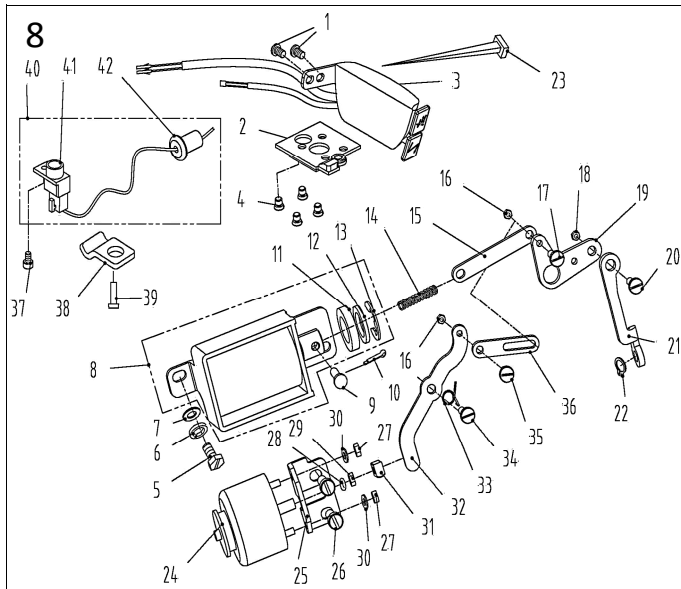
4. 针杆、竖轴、下轴部件/Needle bar,Upright Shaft & Hook Driving Shaft Components

序号NO	公司件号	Part NO	名称	PartName	零件描述	Description	数量	Number
1	13803037		下轴后轴套	Hook driving shaft bushing back			1	
2	11314020		下轴后套螺钉 SM11/64" x 40 L=6	Screw SM11/64" x 40 L=6			1	
3	10108002		下轴轴套	Hook driving shaft snap ring			1	
4	10151012		下轴轴套螺钉 SM11/64" x 40 L=4.8	Screw SM11/64" x 40 L=4.8			2	
5	14003004		下轴中套	Lower shaft middle bushing			1	
6	11522001		油封件 2	oil seal 2			2	
7	1142201600		油封件 18	oil seal 18			1	
8	14103004		下轴前轴套组件	Lower shaft before bushing asm			1	
9	14402003		下轴	Hook driving shaft			1	
10	13823001		下轴限位芯	Oil wick			1	
11	101530005		下轴限位螺钉	set screw			1	
12	11418003		广濶中厚料厚板(扩大驱动范围)	Hook asm (Hirose)			1	
13	11418004		广濶中厚料厚板(扩大驱动范围)	Hook asm (Hirose) (-H)			1	
14	11218504		磁心	Bobbin			1	
15	10117001		磁针(14#)	Needle (14#)			1	
16	10117002		磁针(21#)	Needle (21#)			1	
17	10113002		针线轴	Needle bar thread guide			1	
18	11412063		针线轴(厚料)	Needle bar thread guide (-H)			1	
19	104511006		支针螺钉(进口) SM1/8" x 44 L=4.5	Screw SM1/8" x 44 L=4.5			1	
20	101511005		针杆连接螺钉 SM9/64" x 40 L=6	Screw SM9/64" x 40 L=6			1	
21	1440100100		针杆支架组件	Needle bar support asm			1	
22	14402012		针杆轴套	Needle bar			1	
23	14402014		针杆(DLC)(厚料)	Needle bar (-H)			1	
24	14438002		针杆连接块	Needle bar connecting rod			1	
25	14409005		针杆连接块	Slide block			1	
26	14403006		针杆支架轴套	Needle bar stand collar			1	
27	138508006		小夹线器螺钉 SM3/16" x 28 L=7	Screw SM3/16" x 28 L=7			2	
28	13111002		塞子	Plug			1	
29	131501004		螺钉 9/64" x 40 L=					



6. 自动剪线部件/Feed Mechanism Components

序号NO	公司件号	Part NO	名称	PartName	零件描述	Description	数量	Number
1	114517001		刀架压板螺钉	Screw			3	
2	14112005		刀架压板	Knife bracket press component			1	
3	14119002		辅助刀片	knife			1	
4	14119005		辅助刀片 (厚料)	knife (-H)			1	
5	1440700200		剪线刀架组件	Knife bracket			1	
6	133517002		活动刀固定螺钉SM11/64*40 L=4.4	Screw SM11/64*40 L=4.4			1	
7	131501002		螺钉SM11/64*40	Screw SM11/64*40			1	
8	14119001		刀片	knife			1	
9	133517002		活动刀固定螺钉SM11/64*40 L=4.4	Screw SM11/64*40 L=4.4			2	
10	14407001		剪线主刀架	Knife bracket			1	
11	101516004		螺母SM11/64*40	Nut SM11/64*40			1	
12	14112001		分线片	Needle guard patch			1	
13	201511009		螺钉SM9/64*40 L=5.5	Screw SM9/64*40 L=5.5			1	
14	113520001		连杆螺钉SM11/64*40	hinge screw SM11/64*40			1	
15	11312005		连杆	Connecting rod			1	
16	141520002		剪线曲柄轴位螺钉	Screw			1	
17	14104003		剪线曲柄轴	Crank			1	
18	510007		GB/T80凹侧圆螺母M4*4(深型)	Screw			1	
19	505004		螺钉M5x14	Screw M5x14			1	
20	11322001		驱动曲柄轴止块	Stop block			1	
21	14104001		剪线曲柄	Crank			1	
22	11327001		弹簧	Spring			1	
23	11230004		14孔接线器	Plug			1	
24	11320005		电线插针	Pin			2	
25	14130001		10孔接线器	Plug			1	
26	14103003		剪线轴套	Thread cutting shaft bushing			1	
27	11503005		驱动曲柄轴衬套	Crank drive shaft bushing			1	
28	113514002		螺钉SM11/64*40 L=5.5	Screw SM11/64*40 L=5.5			1	
29	11322002		弹簧盖	Spring cover			1	
30	14104002		剪线凸轮轴	Crank shaft			1	
31	1400400100		剪线轴驱动件	Thread trimmer drive asm.			1	
32	101514001		上轴中套轴套螺钉SM1/4*40 L=6	Screw SM1/4*40 L=6			1	
33	11324001		滚柱	Rolling pin			1	
34	113516002		螺母SM11/64*40	Nut SM11/64*40			1	
35	116514005		螺钉SM1/4*40 L=10	Screw SM1/4*40 L=10			1	
36	11309030		凸轴顶柱	Push rod			2	
37	11310004		剪线凸轮	Cam			1	
38	11310011		剪线凸轮 (厚料)	Cam (-H)			1	
39	14002004		切线驱动轴	Shaft			1	
40	H05013		GB/T896-1986挡圈6	Snap ring 6			1	
41	14012003		针杆插板护板	Cutter wedge protecting			1	
42	11322003		电磁铁缓冲片	Solenoid cushion rubber			1	
43	N01001		螺母M4	Nut M4			2	
44	W01013		GB/T97.1-1985垫圈4.5	Washer			2	
45	11309001		切线电磁铁顶销	Solenoid pin			1	
46	14012000		切线电磁铁支架组件	Bracket			1	
47	517002		GB/T70.2-2000内六角平头螺钉M6x10	Screw M6x10			2	
48	14012001		切线杆	Tangent lever			1	
49	H03015		GB/T894.1卡簧8	Ring 8			1	
50	10112003		针杆插板护板	Needle bar crank protecting plate			1	
51	112516006		螺母SM1/4*40	Nut SM1/4*40			1	
52	O01004		O圈	Rubber ring			1	
53	1403003400		剪线电磁铁组件	Thread trimmer solenoid asm.			1	
54	10112022		旋板供油管压板	Plate			1	

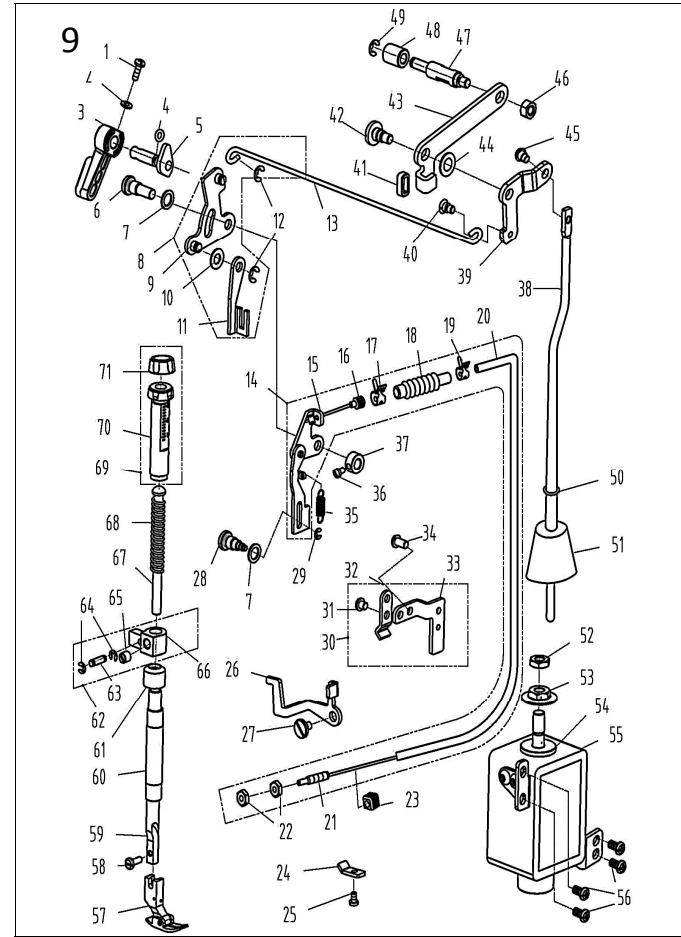


7. 润滑、油量检测部件/Oil Lubrication, Oil Measuring Components

序号NO	公司件号	Part NO	名称	PartName	零件描述	Description	数量	Number
1	11211004		油窗	Oil sight window			1	
2	10122019		油窗O形圈	Rubber ring			1	
3	14021001		油管Φ4×Φ6	Tubing Φ4×Φ6			0.6	
4	14436001		铝油管Φ4.5xΦ6	Aluminum tubing Φ4.5xΦ6			1	
5	112530005		油泵连接螺母	Oil pump connecting stud			1	
6	11329010		开口圈10	Snap ring 10			1	
7	10121001		下供油管	Hook driving shaft oil tube			1	
8	10112020		油泵安装板	Oil pump installing base			1	
9	W03002		弹垫	Spring washer			1	
10	209512001		压脚螺钉SM11/64*40 L=10.5	Screw SM11/64*40 L=10.5			1	
11	10103022		油泵体衬套	Oil pump bushing			1	
12	101530007		柱塞螺钉	Plunger Screw			1	
13	10127013		柱塞簧	Plunger spring			1	
14	10122018		柱塞塞	Plunger			1	
15	10120001		油泵体	Oil pump			1	
16	S04009		油泵螺钉	Screw			3	
17	10111003		油泵叶轮	Oil pump impeller			1	
18	10112021		油泵叶轮盖板	Oil pump impeller cover			1	
19	10111007		油泵盖	Lubricating oil pump cover			1	
20	101530006		螺钉	Screw			3	
21	1012000100		油泵分部件	Lubricating oil pump component			1	
22	10136001		橡胶接头	Rubber joint			1	
23	14112007		过线钩	Over wire hook			1	
24	W02004		GB/T93-1987弹垫M6	Spring Washer M6			1	
25	116530003		拾牙叉固定螺钉SM15/64*28 L=14.5	Screw SM15/64*28 L=14.5			1	
26	14021003		铝油管	Aluminum tubing			1	
27	11211005		尼龙扎带	Cable band			4	
28	14036004		油嘴油嘴	Oil nozzle			1	
29	14036002		油嘴	Oil nozzle			3	
30	20429001		油管卡簧6.5	Oil pipe clamp spring			4	
31	14021001		油管Φ4×Φ6	Tubing Φ4×Φ6			0.15	
32	11412055		油管卡簧5.7	Oil pipe clamp spring			2	
33	10423005		油线	Oil wick			1.5	
34	14036003		喷嘴	Oil nozzle			1	
35	14022011		O圈	Rubber ring			1	
36	140530001		油窗调节螺钉	Oil window adjusting screw			1	
37	14423001		油毡毡	Oil felt			1	
38	14427003		沥青毡垫	Asphalt felt clamp			1	
39	101511001		抽线杆护罩螺钉SM3/16*28 L=7	Screw SM3/16*28 L=7			1	
40	10112023		抽线管	Oil tube clamp			1	
41	10121007		回油管组件	Oil return tube component			1	
42	10121008		回油管	Oil return tube			1	
43	10112025		油线固定板	Oil line fixing plate			1	
44	101511010		压脚扳手螺钉SM9/64*40 L=11	Screw SM9/64*40 L=11			2	
45	10123010		油线 (厚料)	Oil wick (-H)			1	
46	1443000900		油窗检测量测组件	Oil measuring device			1	
47	N01009		螺母	Nut			1	
48	W02003		弹性垫圈	Washer			1	
49	14012006		油量检测量测固定板	Pull spring fixing plate			1	
50	14011004		油窗壳	Shell			1	
51	14002005		导向柱	Guide pillar			1	
52	14011002		浮子	Float			1	
53	H05009		开口圈6	Ring 6			1	
54	101511026		油泵安装螺钉SM15/64*28 L=9	Screw SM15/64*28 L=9			2	

8. 自动倒送料、感应拾压脚部件/Automatic Reverse Feed Components

序号NO	公司件号	Part NO	名称	PartName	零件描述	Description	数量	Number
1	101511004		抽线杆护罩螺钉SM3/16*28 L=7	Screw SM3/16*28 L=7			2	
2	1443000700		LED Light asm	LED Light asm			1	
3	1443000400		双开关组件	Double switch components			1	
4	131502001		螺钉 3/16*28 L=6.5	Screw 3/16*28 L=6.5			4	
5	116530003		拾牙叉固定螺钉SM15/64*28 L=14.5	Screw SM15/64*28 L=14.5			1	
6	W02004		GB/T93-1987弹垫M6	Spring washer M6			2	
7	11628005		拾牙叉固定螺钉垫圈	Washer			2	
8	1443001000		自动倒送料电磁铁	Auto reverse feed solenoid			1	
9	11326005		销子	Pin			1	
10	P04001		开口销 GB/T91.2x14	Cotter pin			1	
11	11322040		橡胶垫片	Rubber plunger			1	
12	11328031		垫片	Washer			1	
13	GB/T896-1986开口圈		平垫圈 2*15*1	Snap ring			1	
14	11227006		自动倒送料连杆弹簧	Plunger spring			1	
15	13812034		自动倒送料连杆	Auto reverse feed connecting rod			1	
16	112516008		自锁螺母SM11/64*40	Nut SM11/64*40			2	
17	141520004		曲柄轴螺钉SM11/64*40	Hinge Screw SM11/64*40			1	
18	112516007		曲柄轴螺母SM1/4*28	Nut SM1/4*28			1	
19	14104005		自动倒送料曲柄	Auto reverse feed crank			1	
20	112520001		曲柄轴螺钉 SM1/4*28	Hinge Screw SM1/4*28			1	
21	11212029		自动倒送料拉杆	Auto reverse feed pull shaft			1	
22	14029003		轴用弹性挡圈7(厚0.8mm)	External Circlips 7			1	
23	11211005		尼龙扎带	Cable band			8	
24	1443000800		短头电磁铁组件	Thread trimmer solenoid asm.			1	
25	14112002		短头电磁铁安装板	Bracket			1	
26	101511026		油泵安装螺钉SM15/64*28 L=9	Screw SM15/64*28 L=9			2	
27	N01001		螺母M4	Nut M4			2	
28	O01004		O圈	Rubber ring			1	
29	112516006		螺母SM1/4*40	Nut SM1/4*40			1	
30	W01013		GB/T97.1-1985垫圈4.5	Washer			2	
31	14126001		短头电磁铁顶销	pin			1	
32	14105001		短头电磁铁顶销	rod			1	
33	14127001		低位传感器	Lower sensor			1	
34	141520001		倒送料连杆轴位螺钉	Screw			1	
35	141520003		轴位螺钉SM11/64*40	Screw SM11/64*40			1	
36	14105002		辅助油杆	rod			1	
37	S05254		GB/T70.1-2000螺钉M2.5x4	Screw M2.5x4			1	
38	14013022		过线板	Wire guide press plate			1	
39	201511012		螺钉SM9/64*40	Screw SM9/64*40			1	
40	1403004100		下感应探头组件	Lower induction probe asm			1	
41	1403004000		下感应探头	Lower induction probe			1	
42	13822030		橡皮圈 (单只)	Rubber plug			1	



9. 压料、自动拾压脚部件/Presser Bar, Auto Lifter Components

序号NO	公司件号	Part NO	名称	PartName	零件描述	Description	数量	Number
1	101511010		压脚扳手螺钉SM9/64*40 L=11	Screw SM9/64*40 L=11			1	
2	10128002		压脚扳手螺钉垫圈	Washer			1	
3	13811029		压脚扳手	Hand lifter			1	
4	O01004		O圈	Rubber ring			1	
5	1441000200		压脚扳手凸轮分部件	Hand lifter cam asm.			1	
6	131520001		前杆杆螺紋帽	Screw			1	
7	10128016		橡胶圈橡胶垫圈(薄)	Washer			2	
8	1441200300		前杆杆组件	Front lever assembly			1	
9	1441200400		拾压脚前杆杆分部件	Lift front lever component			1	
10	14428002		垫圈 6.5x13x0.8	Washer 6.5x13x0.8			1	
11	14412005		压脚升降板	Lifting plate			1	
12	H05003		GB/T896-1986挡圈5	Snap ring 5			2	
13	14412006		拉杆	Pull rod			1	
14	1441200700		松线板组件	Pine line roof asm.			1	
15	1441201800		松线板组件	Loose line roof asm.			1	
16	14036006		密封接头	Seal joint			1	
17	14029002		平垫圈	Circlip Φ8			1	
18	14023006		松线管密封套	Loose pipe sealing sleeve			1	
19	14029001		衬套					