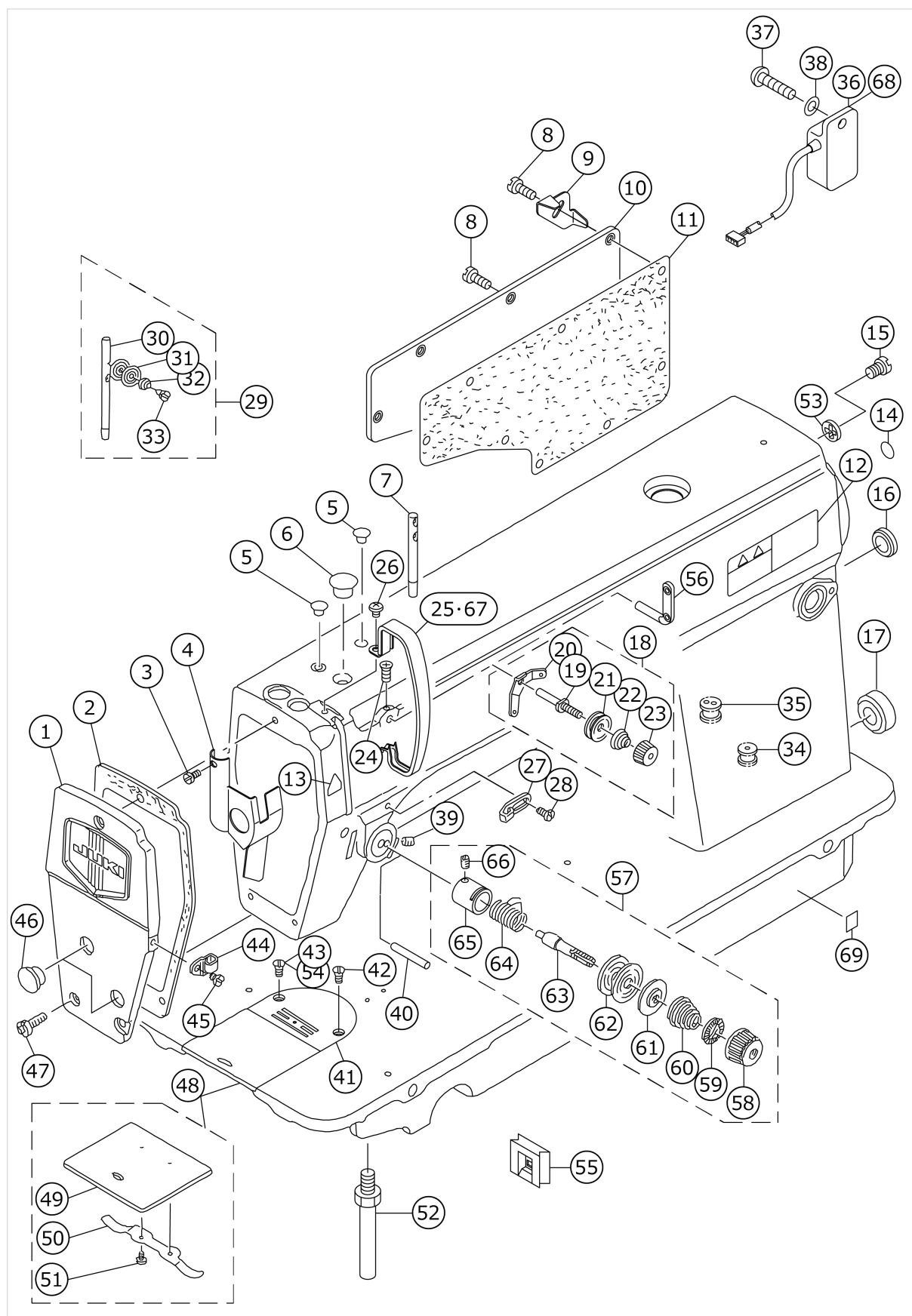


DLD-5430N/DLD-5430N-7

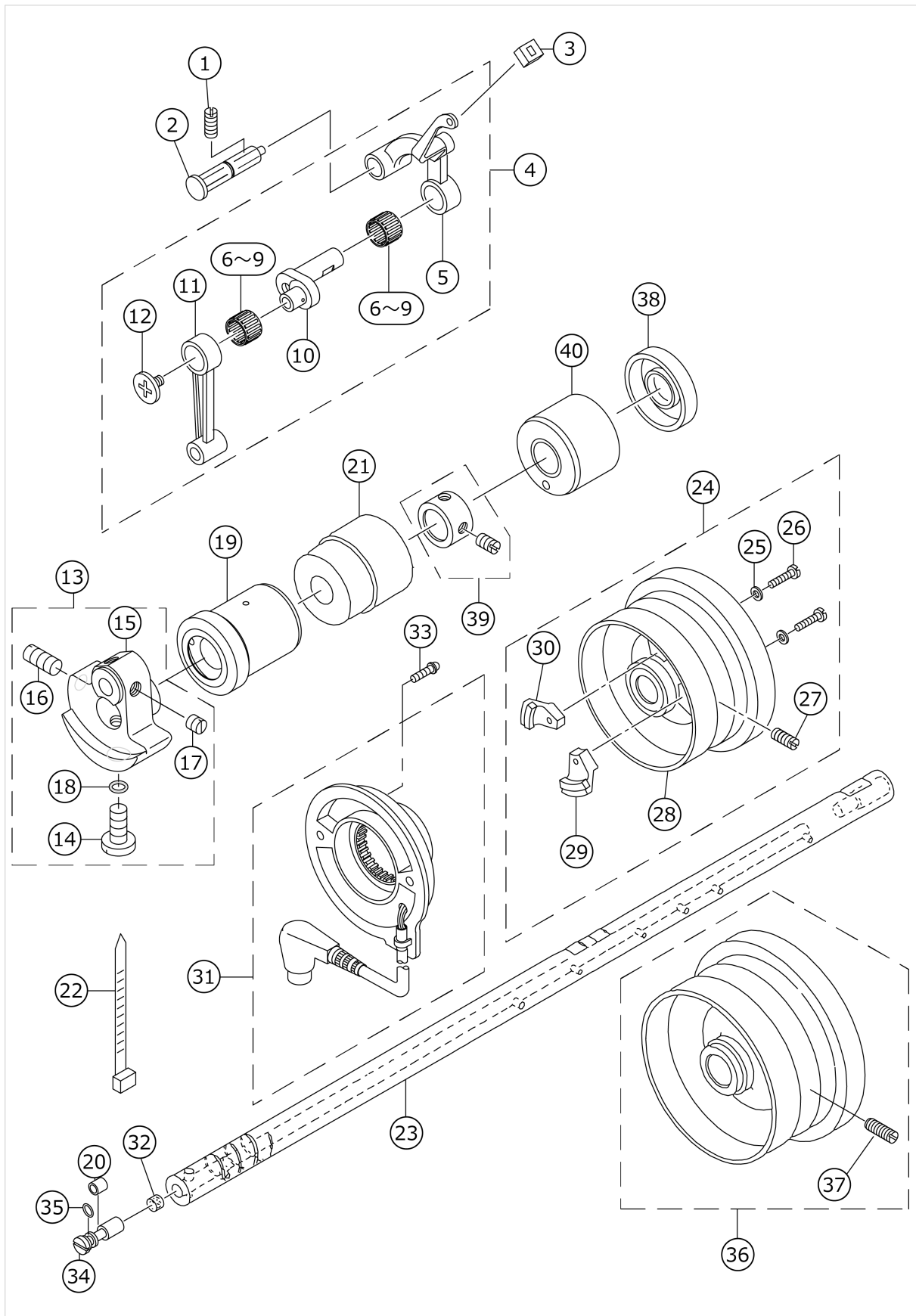
MACHINE FRAME & MISCELLANEOUS COVER COMPONENTS



No.	品番	品名	備考	子部品	消耗品	個数
1	11070851	FACE PLATE ASM.				1.00
2	11000304	FACE PLATE GASKET				1.00
3	SS6080410SP	SCREW 1/8-44 L=4				1.00
4	22900757	FACE PLATE OIL SHIELD ASM.				1.00
5	TA0850604R0	RUBBER PLUG				2.00
6	TA1250705R0	RUBBER PLUG				1.00
7	22958300	NEEDLE THREAD GUIDE PIN				1.00
8	SS4120915SP	SCREW 3/16-28 L=9				8.00
9	22954705	CORD FIXING METAL FITTING	FOR DLD-5430N-7-0B,-W0,-WB			1.00
10	22900401	WINDOW PLATE				1.00
11	11003308	SIDE PLATE PACKING				1.00
12	CM301300001	SAFETY LABEL				1.00
13	CM3002000B1	LABEL(16)				1.00
14	22901805	GROUND MARK				1.00
15	SS4120615SP	SCREW 3/16-28 L=6				1.00
16	TA2000502R0	RUBBER PLUG				1.00
17	TA2101002R0	RUBBER PLUG				1.00
18	22945463	THREAD TENSION ASM. NO.1	FOR DLD-5430N-7			1.00
19	22945414	THREAD TENSION POST		*		1.00
20	22945604	THREAD TENSION GUIDE		*		1.00
21	22945802	THREAD TENSION DISK		*		2.00
22	22945505	THREAD TENSION SPRING		*		1.00
23	22945703	THREAD TENSION NUT		*		1.00
24	SS4120615SP	SCREW 3/16-28 L=6				1.00
25	22900609	THREAD TAKE-UP LEVER COVER				1.00
26	SS4120615SP	SCREW 3/16-28 L=6				1.00
27	22920508	ARM THREAD GUIDE A				1.00
28	22921001	SCREW				1.00
29	22932552	NEEDLE THREAD GUIDE PIN ASM.	FOR DLD-5430N			1.00
30	22932503	THREAD GUIDE ROD		*		1.00
31	22932602	THREAD GUIDE DISK		*		2.00
32	22932701	THREAD GUIDE DISK SPRING		*		1.00
33	SD0380552SL	HINGE SCREW D=3.8 H=5.5		*		1.00
34	11030202	RUBBER BUSHING	FOR DLD-5430N-7-00,-W0			1.00
35	11100104	MAGNET CORD RUBBER	FOR DLD-5430N-7-0B,-WB			1.00
36	M6005350AAA	RESISTOR PACK ASM. AA	FOR JA(FOR DLD-5430N-7)			1.00
37	SS4121215SP	SCREW 3/16-28 L=12	FOR DLD-5430N-7			1.00
38	WP0501016SD	WASHER 5X10.5X1	FOR DLD-5430N-7			1.00
39	SS8150710TP	SCREW 15/64-28 L=7				1.00
40	22920904	TENSION RELEASING				1.00
41	D1109436D00	THROAT PLATE				1.00
42	SS2110920TP	SCREW 11/64-40 L=8.5				1.00
43	SS2110915SP	SCREW 11/64-40 L=8.5				1.00

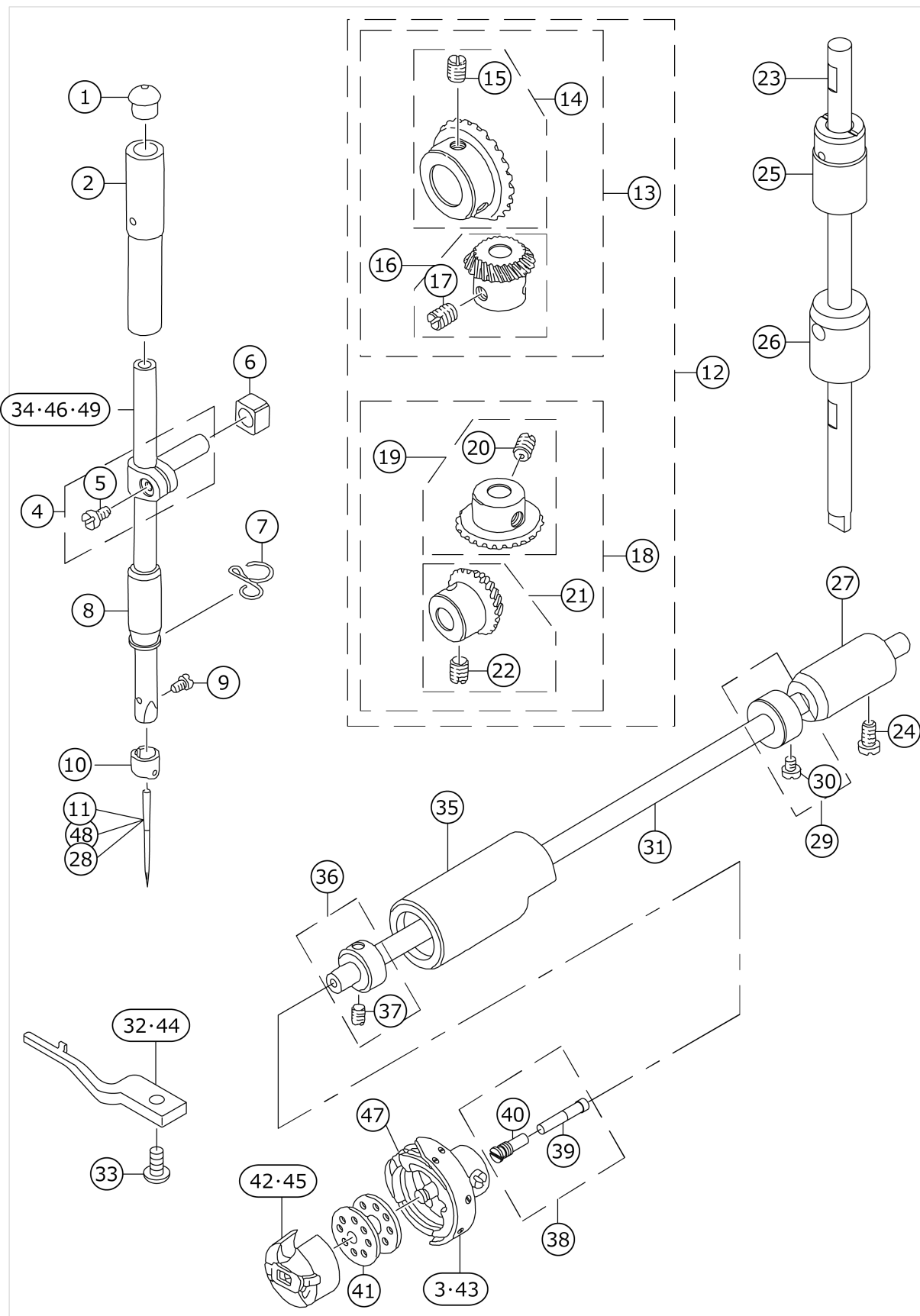
44	11380508	ARM THREAD GUIDE B				1.00
45	SS6110610TP	SCREW 11/64-40 L=6				1.00
46	TA1250406R0	RUBBER PLUG D=12.5 L=4				2.00
47	SS4120915SP	SCREW 3/16-28 L=9				3.00
48	B11104300A0	BED SLIDE ASM.				1.00
49	B1110430000	BED SLIDE		*		1.00
50	B1111012000	BED SLIDE SPRING		*		1.00
51	SS6060210SP	SCREW 3/32-56 L= 1.9		*		2.00
52	22901003	BED SCREW STUD				4.00
53	WT0530002KS	TOOTHED WASHER D=5.3				1.00
54	SS2110920TP	SCREW 11/64-40 L=8.5	FOR DLD-5430N			2.00
55	22935407	BED OIL SHIELD RUBBER				1.00
56	22920706	TWO EYELET	FOR DLD-5430N			1.00
57	22945356	THREAD TENSION ASM.				1.00
58	22921308	THREAD TENSION NUT		*		1.00
59	22921407	ROTATION STOPPER		*		1.00
60	22921704	THREAD TENSION SPRING A		*		1.00
61	22921803	DISK STOPPER		*		1.00
62	22921506	THREAD TENSION DISK		*		2.00
63	22921209	THREAD TENSION POST		*		1.00
64	22921605	THREAD TAKE-UP SPRING		*		1.00
65	22945307	THREAD TENSION POST BASE		*		1.00
66	SS8090670SP	SCREW 9/64-40 L= 5.5		*		1.00
67	11415205	THREAD TAKE-UP LEVER COVER(JE)	FOR JE			1.00
68	M6005350AAF	RESISTANCE PACK AF ASM.	FOR DLD-5430N-7			1.00
69	40116677	GOST_SAFETY_LABEL_S	FOR JE			1.00

MAIN SHAFT & THREAD TAKE-UP LEVER COMPONENTS



No.	品番	品名	備考	子部品	消耗品	個数
1	SS8151150TP	SCREW 15/64-28 L=10.5				1.00
2	11017357	THREAD TAKE-UP CRANK SHAFT ASM.				1.00
3	22919203	OIL PROTECTING RUBBER				1.00
4	22918072	THREAD TAKE-UP LEVER COMPL.				1.00
5	22918064	THREAD TAKE-UP LEVER ASM.		*		1.00
6	22918403	NEEDLE BEARING A	SELECTIVE PARTS(A ~ D)	*		2.00
7	22918502	NEEDLE BEARING B	SELECTIVE PARTS(A ~ D)	*		2.00
8	22918601	NEEDLE BEARING C	SELECTIVE PARTS(A ~ D)	*		2.00
9	22918700	NEEDLE BEARING D	SELECTIVE PARTS(A ~ D)	*		2.00
10	22918106	NEEDLE BAR CRANK		*		1.00
11	22906606	NEEDLE BAR CRANK ROD		*		1.00
12	22918304	LEFT SCREW		*		1.00
13	40106606	COUNTER_WEIGHT_ASM.				1.00
14	SS7681650TP	SCREW 9/32-28 L=16		*		1.00
15	22903108	COUNTER WEIGHT		*		1.00
16	SS8681650TP	SCREW 9/32-28 L=16		*		1.00
17	SS8660610TP	SCREW 1/4-40 L=6		*		2.00
18	RO044240100	RUBBER RING		*		1.00
19	22903207	MAIN SHAFT BUSHING FRONT				1.00
20	B1215552000	OIL ADJUSTING COLLAR				1.00
21	22903306	BUSHING INTERMEDIATE				1.00
22	EA9500B0100	CABLE BAND				1.00
23	22903009	MAIN SHAFT				1.00
24	11071495	HAND WHEEL ASM.				1.00
25	WP0450801SD	WASHER 4.5X10X0.8		*		2.00
26	SS6111210SP	SCREW 11/64-40 L=12		*		2.00
27	SS8151550SP	SCREW 15/64-28 L=15		*		2.00
28	11071453	HAND WHEEL ASM.		*		1.00
29	M40071100AA	MAGNET FITTING BASE A ASM.		*		1.00
30	M40071100AB	MAGNET FITTING BASE B ASM.		*		1.00
31	22937965	DYNAMO STATOR ASM.				1.00
32	11002904	ROLLER FELT				1.00
33	SL4051001MZ	SCREW M5 L=9.6				2.00
34	22903900	ADJUSTING PIN				1.00
35	RO029180100	RUBBER RING				1.00
36	11071362	FLYWHEEL ASM.	FOR DLD-5430N			1.00
37	SS8151550SP	SCREW 15/64-28 L=15	FOR DLD-5430N	*		2.00
38	40105231	OIL SEAL				1.00
39	22904155	MAIN SHAFT THRUST COLLAR ASM.				1.00
40	11002409	MAIN SHAFT BUSHING REAR				1.00

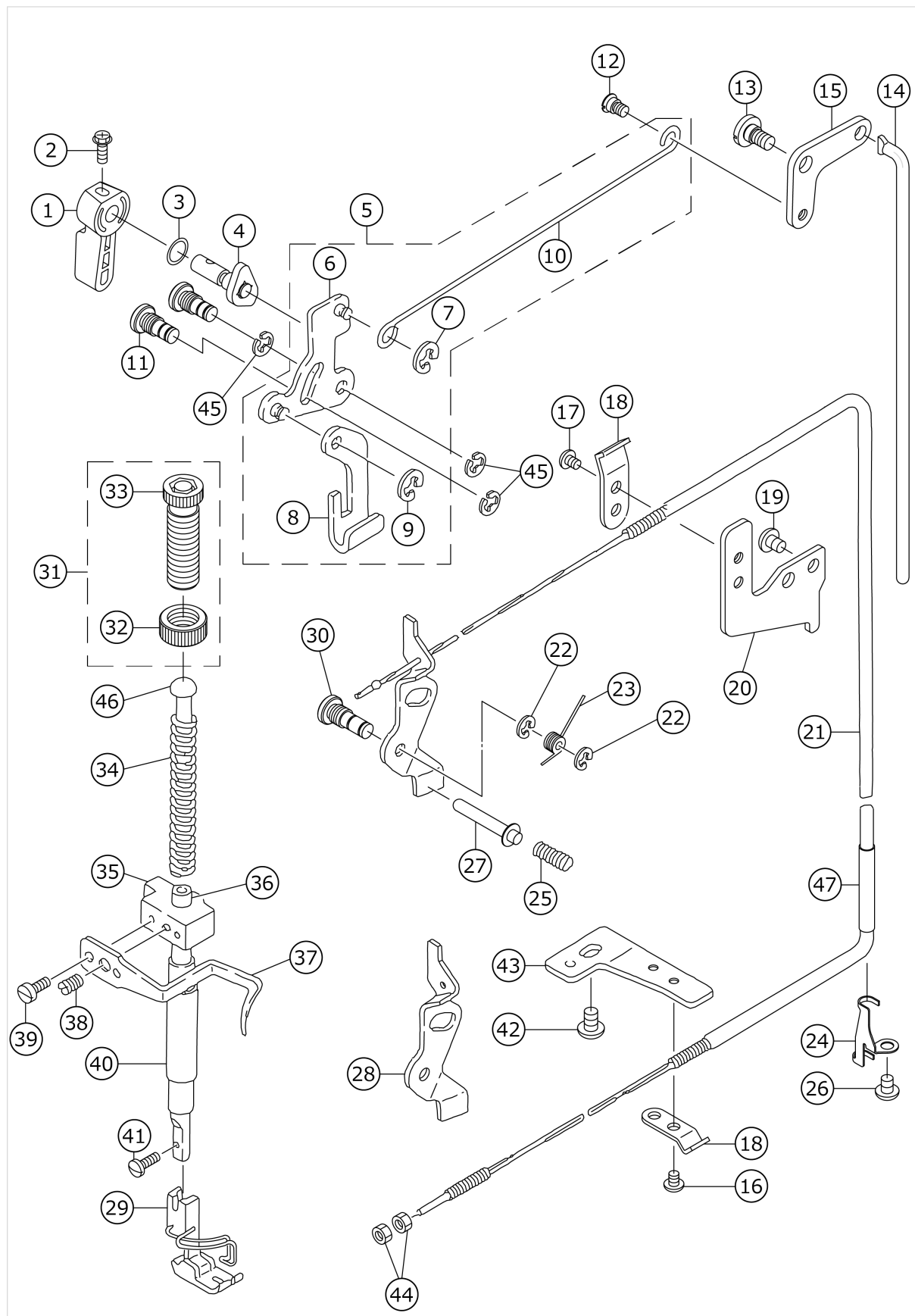
NEEDLE BAR, UPRIGHT SHAFT & HOOKDRIVING SHAFT COMPONENTS



No.	品番	品名	備考	子部品	消耗品	個数
1	22901409	NEEDLE BAR UPPER BUSH CAP				1.00
2	22906101	NEEDLE BAR BUSHING UPPER				1.00
3	11141355	HOOK ASM.				1.00
4	22906457	NEEDLE BAR HOLDER ASM.				1.00
5	SS6090670TP	SCREW 9/64-40 L=6		*		1.00
6	40090058	SLIDE BLOCK				1.00
7	22920805	NEEDLE BAR THREAD GUIDE				1.00
8	22906200	NEEDLE BAR BUSHING LOWER				1.00
9	SS7080510TP	SCREW 1/8-44 L=4.5				1.00
10	22906309	NEEDLE BAR THREAD GUIDE				1.00
11	MDB100B1400	NEEDLE DBX1 #14				1.00
12	B13061550C0	GEAR & PINION ASM.				1.00
13	B13061550B0	GEAR & PINION ASM. UPPER		*		1.00
14	B13050120A0	GEAR ASM.		*		1.00
15	SS8660810TP	SCREW 1/4-40 L=8		*		2.00
16	B13061550A0	PINION ASM.		*		1.00
17	SS8660810TP	SCREW 1/4-40 L=8		*		2.00
18	B13071550B0	GEAR & PINION ASM. LOWER		*		1.00
19	B13071550A0	GEAR ASM. LARGE		*		1.00
20	SS8660810TP	SCREW 1/4-40 L=8		*		2.00
21	B13081550A0	PINION ASM.		*		1.00
22	SS8660810TP	SCREW 1/4-40 L=8		*		2.00
23	22905004	UPRIGHT SHAFT				1.00
24	SS4120915SP	SCREW 3/16-28 L=9				1.00
25	22905103	UPRIGHT SHAFT BUSHING UPPER				1.00
26	11004207	UPRIGHT SHAFT BUSHING LOWER				1.00
27	22916308	HOOK DRIVING SHAFT BUSH REAR				1.00
28	MC200500900	NEEDLE 134 90	FOR JE			1.00
29	22917157	THRUST COLLAR ASM. REAR				1.00
30	SS6110420TP	SCREW 11/64-40 L=4.8		*		2.00
31	22916001	HOOK DRIVING SHAFT				1.00
32	11038809	BOBBIN CASE HOLDER	FOR DLD-5430N-7			1.00
33	SS4110915TP	SCREW 11/64-40 L=9				1.00
34	11141108	NEEDLE BAR B	FOR JE			1.00
35	22916100	HOOK DRIVING SHAFT BUSH FRONT				1.00
36	22917058	THRUST COLLAR ASM. FRONT				1.00
37	SS8110410TP	SCREW 11/64-40 L= 3.5		*		2.00
38	22916555	OIL SEAL SCREW ASM.				1.00
39	11015906	OIL WICK		*		1.00
40	22916506	SET SCREW		*		1.00
41	22932909	BOBBIN				1.00
42	11038759	BOBBIN CASE ASM.	FOR DLD-5430N-7			1.00
43	B18301270A0	HOOK ASM.	FOR DLD-5430N			1.00
44	22916407	BOBBIN CASE POSITIONING FINGER	FOR DLD-5430N			1.00
45	B18370120A0	BOBBIN CASE ASM.	FOR DLD-5430N			1.00
46	22906002	NEEDLE BAR	FOR DLD-5430N			1.00
47	11038650	HOOK ASM.	FOR USE IN JAPAN,JH			1.00

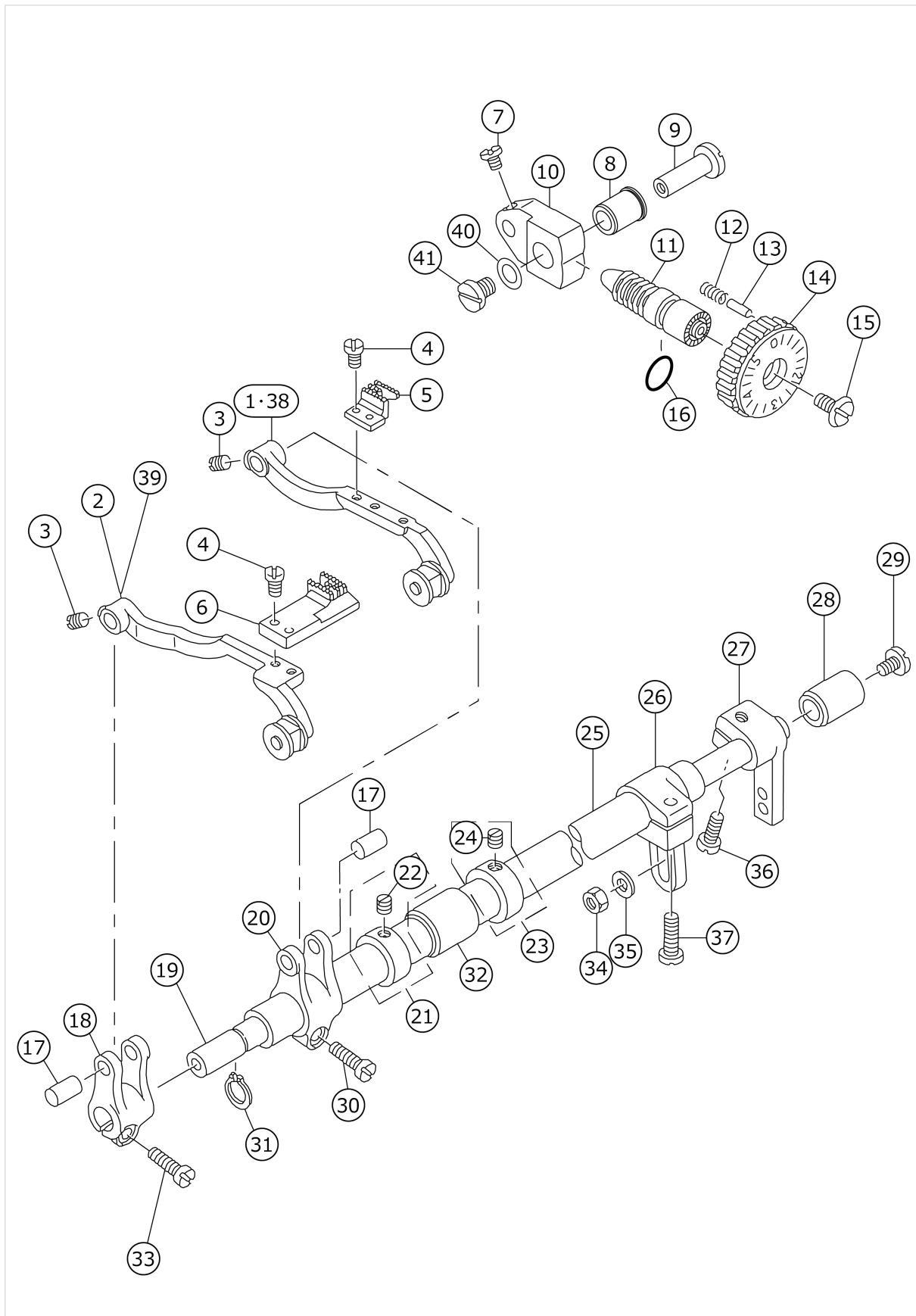
48	MDP500B1400	NEEDLE DPX5 #14	FOR JO			1.00
49	11035003	NEEDLE BAR	FOR DLD-5430N-7			1.00

HAND LIFTER COMPONENTS



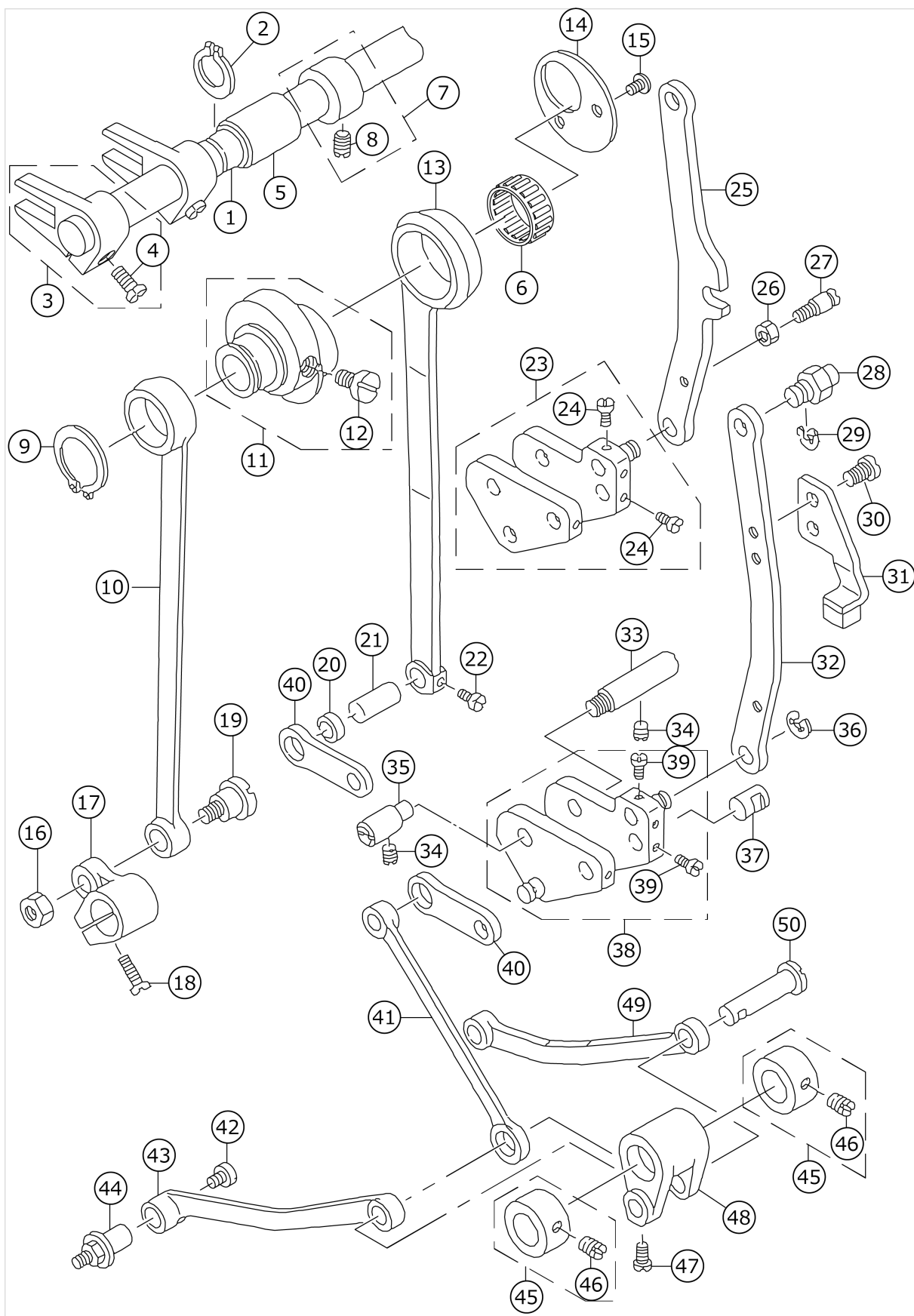
No.	品番	品名	備考	子部品	消耗品	個数
1	22907802	HAND LIFTER				1.00
2	B1521555000	SCREW				1.00
3	RO037180100	RUBBER RING				1.00
4	22908552	HAND LIFTER CAM ASM.				1.00
5	22908354	KNEE LIFTING CROSS ROD ASM.				1.00
6	22908156	LIFTING LINK ASM.		*		1.00
7	RE0500000K0	E-RING		*		1.00
8	22908008	LIFTING PLATE		*		1.00
9	RE0500000K0	E-RING		*		1.00
10	22908305	KNEE LIFTER SIDE ROD		*		1.00
11	22908701	LINK SHAFT				2.00
12	22908909	HINGE SCREW				1.00
13	SD0720331SP	HINGE SCREW D= 7.24 H= 3.3				1.00
14	22909006	KNEE LIFTER CONNECTING ROD				1.00
15	22908800	KNEE LIFTER LINK				1.00
16	SS4110515SP	SCREW 11/64-40 L=5				1.00
17	SS4110515SP	SCREW 11/64-40 L=5				1.00
18	22944508	WIRE PRESSER A				2.00
19	SS4120615SP	SCREW 3/16-28 L=6				1.00
20	22944607	WIRE PRESSER BASE UPPER				1.00
21	11394657	TENSION RELEASE WIRE ASM.				1.00
22	RE0500000K0	E-RING				2.00
23	22920201	RETURN SPRING				1.00
24	11394707	WIRE PRESSER PLATE				1.00
25	22920409	THREAD RELEASE PIN SPRING				1.00
26	SS4120615SP	SCREW 3/16-28 L=6				1.00
27	22920300	THREAD RELEASE SUPPORTING PIN				1.00
28	22920003	THREAD RELEASE PLATE	FOR DLD-5430N			1.00
29	B15244300BA	PRESSER FOOT ASM.				1.00
30	22920102	TENSION RELEASE SHAFT				1.00
31	22907554	PRESSER SPRING REG NUT ASM.				1.00
32	22907604	PRESSER SPRING REGULATOR NUT		*		1.00
33	22907505	PRESSER SPRING REGULATOR		*		1.00
34	22907406	PRESSER SPRING				1.00
35	22907208	PRESSER BAR GUIDE BRACKET				1.00
36	40017805	PRESSER BAR				1.00
37	22907307	THREAD GUIDE				1.00
38	SS8660810TP	SCREW 1/4-40 L=8				1.00
39	SS6090910SP	SCREW 9/64-40 L=9				2.00
40	40060989	PRESSER BAR BUSHING LOWER				1.00
41	SS7091110TP	SCREW 9/64-40 L=10.5				1.00
42	SS4150915SP	SCREW 15/64-28 L=9				1.00
43	22944706	WIRE PRESSER BASE LOWER				1.00
44	NS6620310SP	NUT 3/16-32				2.00
45	RE0500000K0	E-RING				3.00
46	22907703	PRESSER GUIDE BAR				1.00
47	E8760452H00	TUBE				0.04

FEED ROCKER MECHANISM COMPONENTS (1)



No.	品番	品名	備考	子部品	消耗品	個数
1	11393055	MAIN FEED BAR ASM.				1.00
2	11393352	VICE-FEED BAR ASM.				1.00
3	SS8110410TP	SCREW 11/64-40 L= 3.5				2.00
4	SS4080620TP	SCREW 1/8-44 L=6				4.00
5	B1613430A00	MAIN FEED DOG STRETCH				1.00
6	B1613432A00A	FEED DOG STRETCH				1.00
7	SS6090560TP	SCREW 9/64-40 L=4.5				2.00
8	11009800	FEED REGULATOR BUSHING				1.00
9	11385127	FEED REGULATOR SHAFT				1.00
10	11385028	FEED REGULATOR				1.00
11	22911804	FEED REGULATOR SCREW				1.00
12	22912109	FEED REGULATOR PIN SPRING				1.00
13	22912000	FEED REGULATOR PIN				1.00
14	11397007	FEED DIAL				1.00
15	SS6121860SP	SCREW 3/16-28 L=18				1.00
16	RO092270200	RUBBER RING				1.00
17	B1610430000	DIFFERENTIAL FEED ROCKER SHAFT				2.00
18	11382603	DIFFERENTIAL FEED BAR ARM				1.00
19	11382702	FEED ROCKER SHAFT				1.00
20	11381100	MAIN FEED ROCKER				1.00
21	CS1470710SH	THRUST COLLAR ASM. D=14.72 W=7				1.00
22	SS8110410TP	SCREW 11/64-40 L= 3.5		*		2.00
23	22904155	MAIN SHAFT THRUST COLLAR ASM.				1.00
24	SS8660610TP	SCREW 1/4-40 L=6		*		2.00
25	11381209	MAIN FEED ROCK SHAFT				1.00
26	11381308	MAIN FEED ROCK ARM				1.00
27	11382801	FEED ROCKER ARM				1.00
28	11383205	BUSHING REAR				1.00
29	SS7120770SH	SCREW 3/16-28 L=7				1.00
30	SS7121610SP	SCREW 3/16-28 L=15.5				1.00
31	RC0931011KP	RETAINING RING				1.00
32	22913008	FEED ROCKER SHAFT BUSHING				1.00
33	SS6121210SP	SCREW 3/16-28 L=12				1.00
34	NS6110530SP	NUT 11/64-40				1.00
35	WP0501016SD	WASHER 5X10.5X1				1.00
36	SS6121210SP	SCREW 3/16-28 L=12				1.00
37	SS6121610TP	SCREW 3/16-28 L=15.5				1.00
38	11381050	FEED BAR ASM. MAIN	FOR DLD-5430N			1.00
39	11382553	DIFFERENTIAL FEED BAR ASM.	FOR DLD-5430N			1.00
40	WP0702026SP	WASHER 7X15X2				1.00
41	SS9661120CP	SCREW 1/4-40 L=10.5				1.00

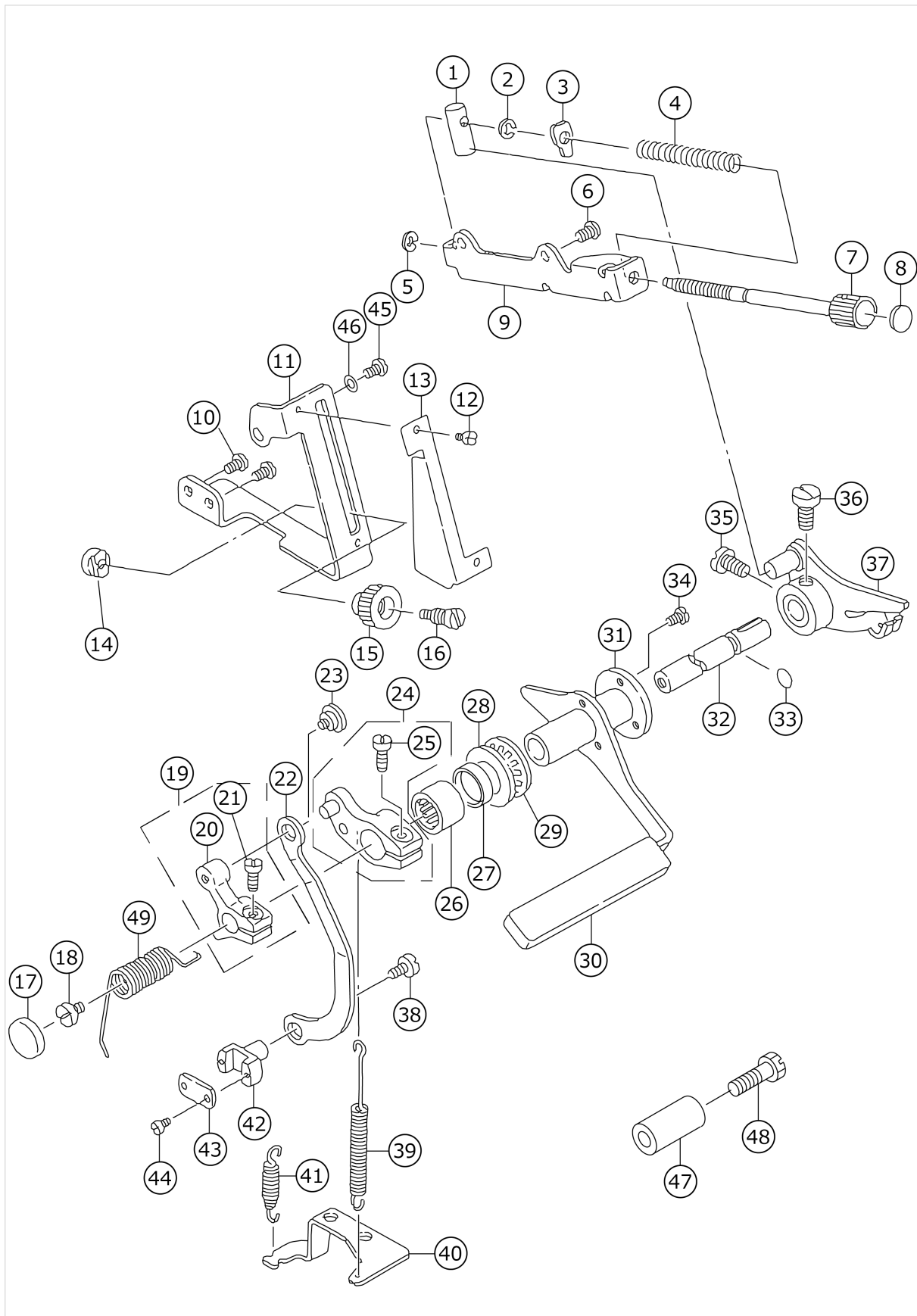
FEED ROCKER MECHANISM COMPONENTS (2)



No.	品番	品名	備考	子部品	消耗品	個数
1	22912901	FEED ROCKER SHAFT				1.00
2	RC0150001KP	RETAINING RING 13.8				1.00
3	11390754	FEED BRANCH ASM.				2.00
4	SS7111410SP	SCREW 11/64-40 L=14		*		2.00
5	22913008	FEED ROCKER SHAFT BUSHING				1.00
6	B1636581A00	NEEDLE BEARING	SELECTIVE PARTS(A ~ D)			1.00
7	22904155	MAIN SHAFT THRUST COLLAR ASM.				1.00
8	SS8660610TP	SCREW 1/4-40 L=6		*		2.00
9	RC1850001KP	SNAP RING 18.5				1.00
10	22915003	CONNECTING ROD				1.00
11	11384054	FEED ECCENTRIC CAM ASM.				1.00
12	SS6661110SP	SCREW 1/4-40 L=11		*		2.00
13	11384211	FEED ROCKER ROD				1.00
14	22910103	THRUST COLLAR				1.00
15	SS4090615SP	SCREW 9/64-40 L=6				2.00
16	NS6680410SP	NUT 9/32-28				1.00
17	11390903	DRIVING SHAFT ARM				1.00
18	SS6121210SP	SCREW 3/16-28 L=12				1.00
19	SD1000801SH	HINGE SCREW D=10 H=8				1.00
20	11384500	CONNECTING LINK COLLAR				1.00
21	11384302	PIN B				1.00
22	SS6090620TP	SCREW				1.00
23	11385556	FEED ADJUST LINK ASM.	FOR DLD-5430N, 5430N-7-00,-W0			1.00
24	SS6090620TP	SCREW		*		2.00
25	11385309	CONNECTING ROD	FOR DLD-5430N, 5430N-7-00,-W0			1.00
26	NS6110310SP	NUT 11/64-40				1.00
27	11385408	SUSPENSION PIN				1.00
28	22911507	WALKING FOOT PIN C				1.00
29	RE0500000KO	E-RING				1.00
30	SS6110610TP	SCREW 11/64-40 L=6	FOR DLD-5430N-7-0B,-WB			2.00
31	11393758	ADJUSTING ROD PLATE ASM.	FOR DLD-5430N-7-0B,-WB			1.00
32	11393600	ADJUSTING ROD	FOR DLD-5430N-7-0B,-WB			1.00
33	11385804	ADJUSTING LINK FULCRM SHAFT B				1.00
34	SS8150710TP	SCREW 15/64-28 L=7				2.00
35	22910806	ADJUST LINK FULCRUM SHAFT A				1.00
36	RE0500000KO	E-RING				1.00
37	22910905	WALKING FOOT PIN A				1.00
38	11393857	ADJUSTING LINK ASM.	FOR DLD-5430N-7-0B,-WB			1.00
39	SS6090620TP	SCREW		*		2.00
40	11384401	CONNECTING LINK				2.00
41	11384658	CONNECTING LINK ASM.				1.00
42	SS6110640SP	SCREW 11/64-40 L=6				1.00
43	11381506	MAIN FEED LINK				1.00

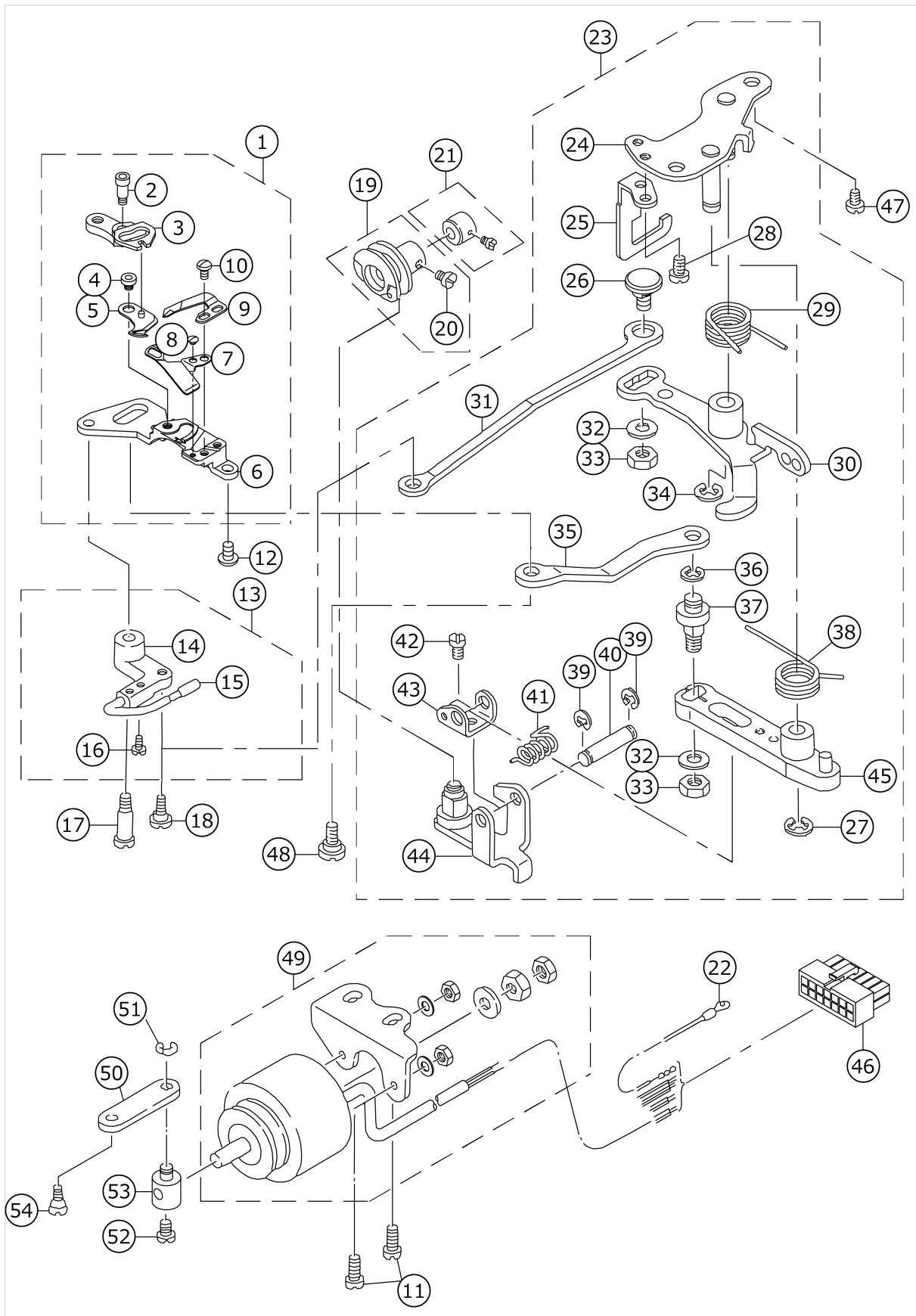
44	11381407	LINK PIN				1.00
45	CS1470710SH	THRUST COLLAR ASM. D=14.72 W=7				2.00
46	SS8110410TP	SCREW 11/64-40 L= 3.5		*		4.00
47	SS6090620TP	SCREW				1.00
48	11384807	DRIVING ARM				1.00
49	11383106	DIFFERENTIAL LINK				1.00
50	11384906	PIN				1.00

FEED MECHANISM COMPONENTS



No.	品番	品名	備考	子部品	消耗品	個数
1	11389400	STOPPER				1.00
2	RE0400000K0	E-RING 4				1.00
3	11389301	STOPPER PLATE				1.00
4	11212701	STOPPER SPRING				1.00
5	RE0320000K0	E-RING 3.2				1.00
6	SS4120615SP	SCREW 3/16-28 L=6				2.00
7	11389251	REGULATING DIAL SCREW				1.00
8	11212503	STOPPER DIAL PLATE				1.00
9	11389103	ADJUSTING BASE				1.00
10	SS4120615SP	SCREW 3/16-28 L=6				2.00
11	11388501	DIFFERENTIAL BAR				1.00
12	SS6080320SP	SCREW 1/8-44 L= 2.5				2.00
13	11388600	GAUGE PLATE				1.00
14	11388808	STOPPER				1.00
15	11389004	NUT				1.00
16	11388907	SCREW				1.00
17	TA1750502R0	RUBBER PLUG D=17.5 L=5				1.00
18	SS7620750SP	SCREW 3/16-32 L= 6.5				1.00
19	11387958	DIFFERENTIAL ADJUST ARM ASM.				1.00
20	11387909	DIFFERENTIAL ADJUST ARM		*		1.00
21	SS6121010SP	SCREW 3/16-28 L=10		*		1.00
22	11387800	DIFFERENTIAL ADJUST ROD				1.00
23	SD0800231SP	HINGE SCREW D=8 H=2.3				1.00
24	11387461	LEVER ARM ASM.				1.00
25	SS7121410TP	SCREW 3/16-28 L=14		*		1.00
26	B1644490000	NEEDLE BEARING				1.00
27	B1641490000	OIL SEAL				1.00
28	B1242980000	THRUST WASHER SMALL				1.00
29	B1211980000	UPPER SHAFT THRUST BEARING				1.00
30	11397155	LEVER ASM.				1.00
31	11387206	LEVER SHAFT				1.00
32	11388105	LEVER				1.00
33	RO069180100	RUBBER RING				1.00
34	SS6090510TP	SCREW 9/64-40 L= 5.0				3.00
35	SS6661110SP	SCREW 1/4-40 L=11				1.00
36	SS6661310SP	SCREW 1/4-40 L=13				1.00
37	11388253	DIFFERENTIAL PLATE				1.00
38	SS6110640SP	SCREW 11/64-40 L=6				1.00
39	11302700	SPRING				1.00
40	11385903	FEED SPRING HOOK				1.00
41	11386000	SPRING				1.00
42	11382900	FEED ROCKER ARM SLIDE				1.00
43	11383007	SLIDE COVER				1.00
44	SS6080410SP	SCREW 1/8-44 L=4				2.00
45	SS4120915SP	SCREW 3/16-28 L=9				1.00
46	WP0551016SH	WASHER 5.5X13X1				1.00
47	11100500	REVERSE FEED LEVER STOPPER				2.00
48	SS6121840SP	SCREW 3/16-28 L=18				2.00
49	11388006	SPRING				1.00

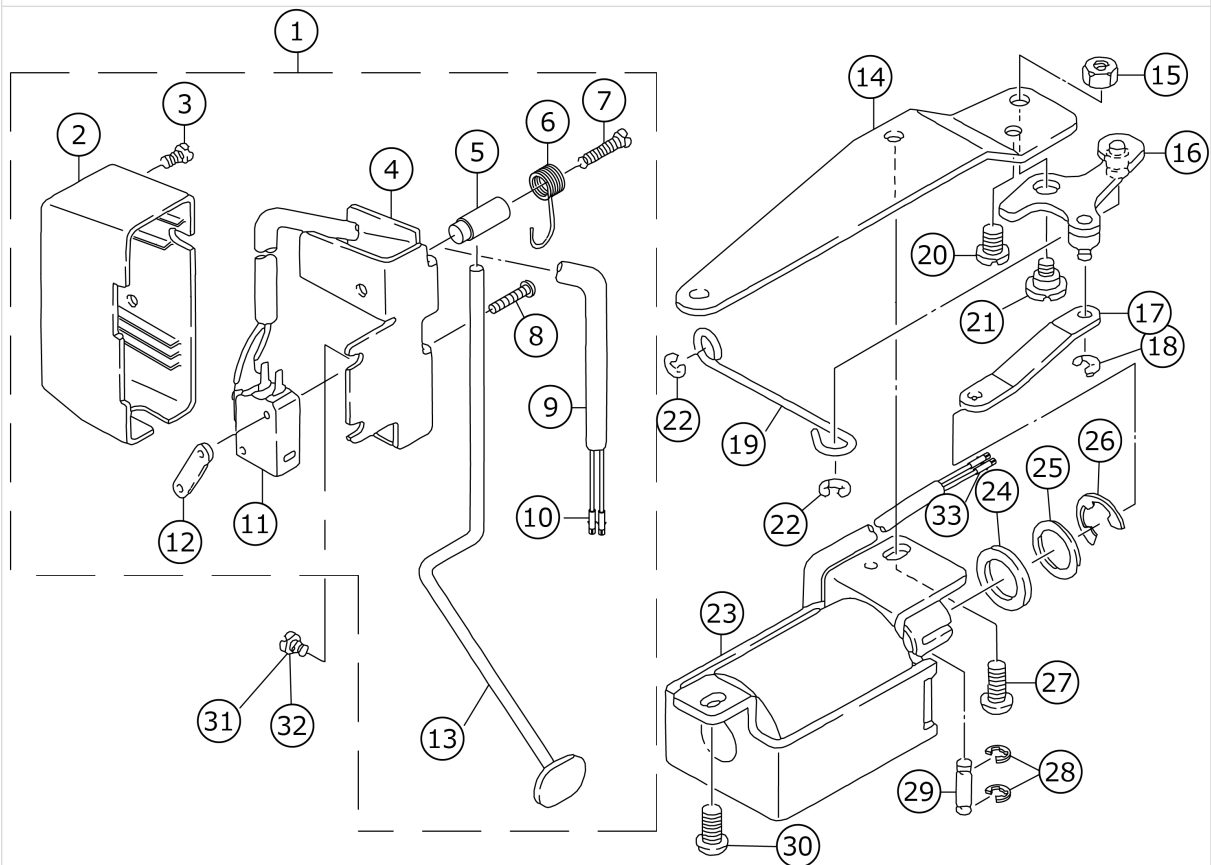
THREAD TRIMMER MECHANISM COMPONENTS



No.	品番	品名	備考	子部品	消耗品	個数
1	11040359	KNIFE UNIT				1.00
2	SD0460703TP	HINGE SCREW D=4.6 H=7		*		1.00
3	11040508	FORKED BASE FOR KNIFE		*		1.00
4	11040409	MOVING KNIFE HINGE SCREW		*		1.00
5	11040052	MOVING KNIFE ASM.		*		1.00
6	22947907	KNIFE MOUNTING BASE		*		1.00
7	11313103	THREAD GUIDE FOR KNIFE		*		1.00
8	SS2060210SP	SCREW 3/32-56 L=2.3		*		1.00
9	D2406555D0H	COUNTER KNIFE		*		1.00
10	SS4080620TP	SCREW 1/8-44 L=6		*		2.00
11	SS4151215SP	SCREW 15/64-28 L=12				2.00
12	SS4110715SP	SCREW 11/64-40 L=7				1.00
13	11042553	PICKER ARM ASM.				1.00
14	11042504	PICKER ARM		*		1.00
15	22950356	HOOK THREAD PRESSER ASM.		*		1.00
16	SS6090510TP	SCREW 9/64-40 L= 5.0		*		2.00
17	SD0641451SP	HINGE SCREW D= 6.35 H=14.5				1.00
18	SD0630275SP	HINGE SCREW D= 6.35 H= 2.7				1.00
19	11042850	THREAD TRIMMER CAM ASM.				1.00
20	SS6660610TP	SCREW 1/4-40 L=6		*		2.00
21	22950950	CAM COLLAR ASM.				1.00
22	22951552	GROUND WIRE ASM.				1.00
23	11042264	THREAD TRIMMER DRIVING UNIT				1.00
24	22949754	BASE PLATE ASM.		*		1.00
25	22950703	DRIVING ARM STOPPER		*		1.00
26	22950000	PICKER LINK PIN		*		1.00
27	RE0600000K0	E-RING 6		*		1.00
28	SS4110715SP	SCREW 11/64-40 L=7		*		2.00
29	22949408	CLUTCH SPRING		*		1.00
30	11041852	CLUTCH PLATE ASM.		*		1.00
31	22950109	PICKER LINK		*		1.00
32	WP0621016SH	WASHER		*		2.00
33	NS6150430SP	NUT 15/64-28		*		2.00
34	RE0600000K0	E-RING 6		*		1.00
35	22948301	MOVING KNIFE LINK		*		1.00
36	RE0500000K0	E-RING		*		1.00
37	22948400	MOVING KNIFE LINK PIN		*		1.00
38	22949309	KNIFE RETURN SPRING B		*		1.00
39	RE0400000K0	E-RING 4		*		2.00
40	22949101	ROLLER FULCRUM SHAFT		*		1.00
41	22949200	ROLLER RETURN SPRING		*		1.00
42	SS7090610SP	SCREW 9/64-40 L=6		*		1.00
43	22949002	ROLLER ARM SEAT		*		1.00
44	11040953	ROLLER ARM ASM.		*		1.00
45	11040854	KNIFE DRIVING ARM ASM.		*		1.00
46	HK034610140	HOUSING 14P				1.00
47	SS4150915SP	SCREW 15/64-28 L=9				2.00
48	SD0640631TP	HINGE SCREW D=6.35 H=6.3				1.00
49	40106930	THREAD TRIMMER SOLENOID ASM.				1.00
50	22949903	CLUTCH LINK				1.00

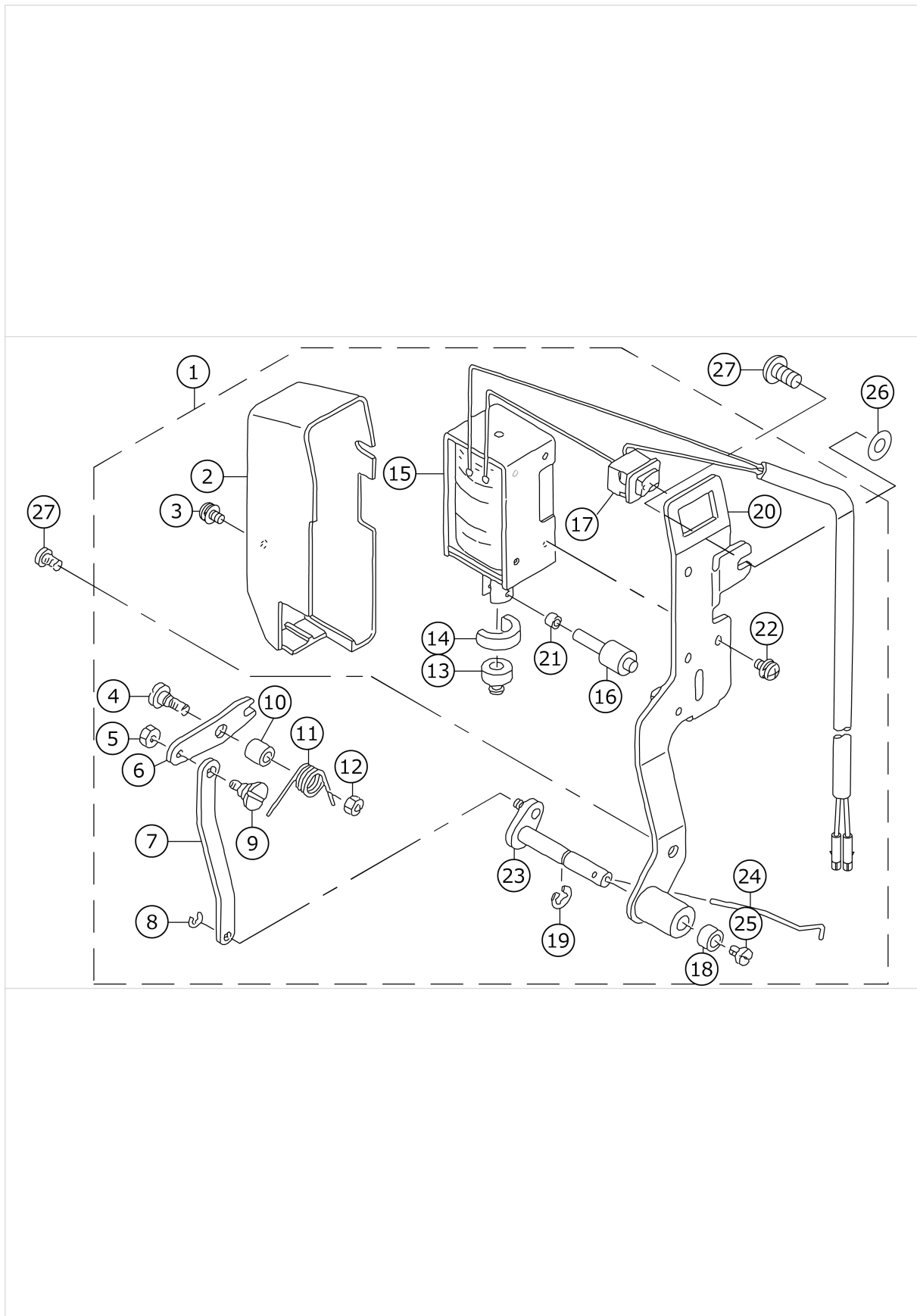
51	RE0500000K0	E-RING				1.00
52	SS6110710TP	SCREW 11/64-40 L= 6.5				1.00
53	22951008	SOLENOID PIN				1.00
54	SD0600361SP	HINGE SCREW D=6 H=3.6				1.00

AUTOMATIC REVERSE FEED COMPONENTS



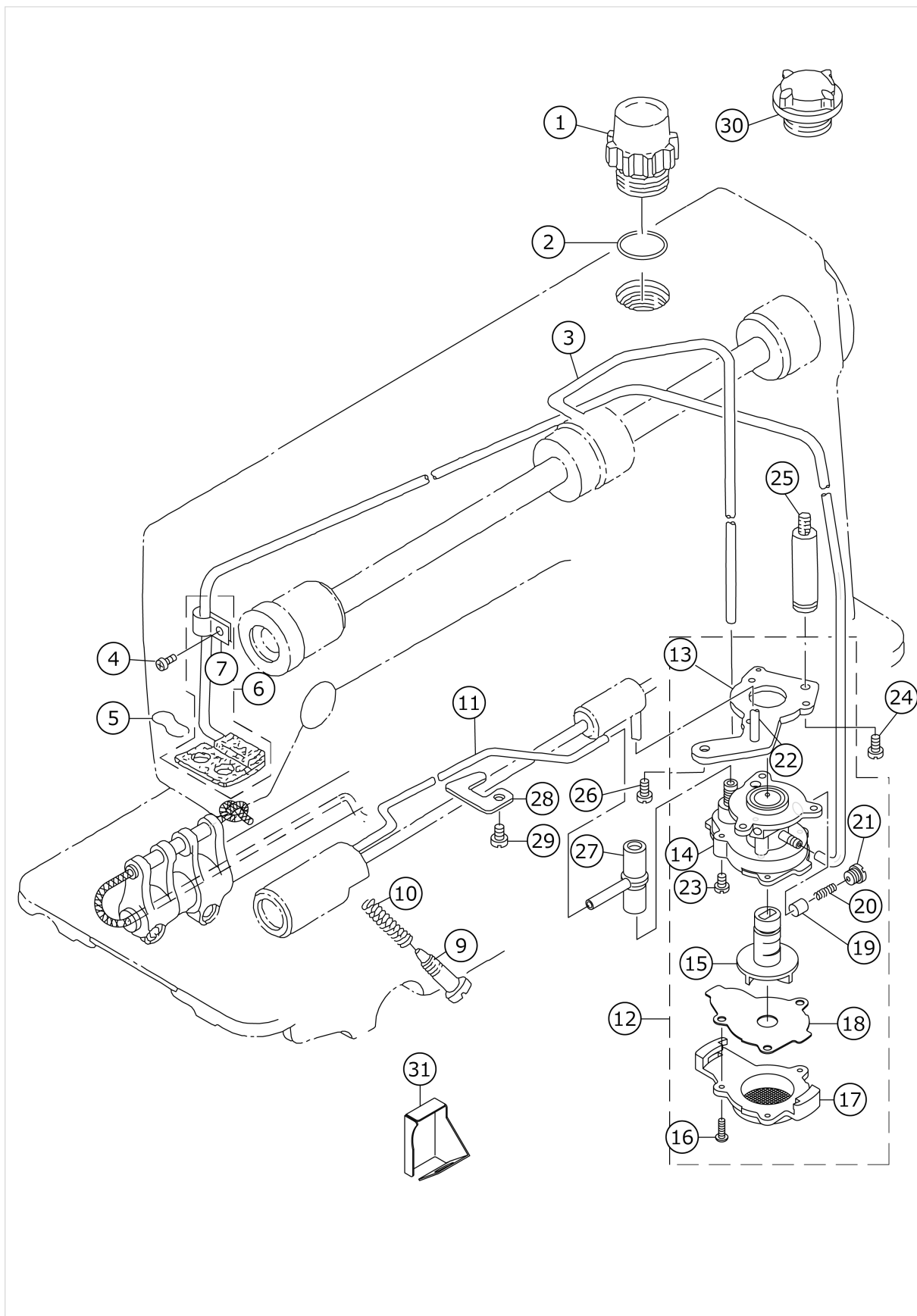
No.	品番	品名	備考	子部品	消耗品	個数
1	11075058	REVERSE FEED SWITCH ASM.				1.00
2	22954606	REVERSE FEED SWITCH COVER		*		1.00
3	SM4040655SP	SCREW M4 L=6		*		1.00
4	22954101	REVERSE FEED SWITCH BASE		*		1.00
5	22954200	REVERSE FEED SWITCH SHAFT		*		1.00
6	22954309	REVERSE FEED SWITCH SPRING		*		1.00
7	SM4041655SP	SCREW M4 L=16		*		1.00
8	SM4031501SC	SCREW M3 L=15		*		2.00
9	HW500070000	2-CORE CABTYRE CORD		*		1.31
10	HK03464000B	PIN CONTACT		*		2.00
11	HA001900000	MICROSWITCH		*		1.00
12	11102308	MICRO SWITCH PLATE		*		1.00
13	22954507	REVERSE FEED SWITCH LEVER		*		1.00
14	11395001	SOLENOID INSTALLING BAR				1.00
15	NS6660430SP	NUT 1/4-40				1.00
16	11395258	REVERSE FEED ARM ASM.				1.00
17	11395100	CONNECTING LINK				1.00
18	RE0400000KP	E-RING 4				1.00
19	11395506	CONNECTING ROD				1.00
20	SS7150940SP	SCREW 15/64-28 L=9				1.00
21	SD0800321TH	HINGE SCREW D=8 H=3.2				1.00
22	RE0500000KP	E-RING 5				2.00
23	11395951	REVERSE FEED SOLENOID ASM.				1.00
24	D2468555B00	RUBBER PLUNGER				1.00
25	WP1602616SZ	WASHER 16X24X2.6				1.00
26	RE1200000K0	E-RING 12				1.00
27	SS4151415SP	SCREW 15/64-28 L=14				1.00
28	RE0400000K0	E-RING 4				1.00
29	22953509	REVERSE FEED PLUNGER ARM PIN				2.00
30	SS4151215SP	SCREW 15/64-28 L=12				1.00
31	SS4120915SP	SCREW 3/16-28 L=9				1.00
32	SS4120615SP	SCREW 3/16-28 L=6	FOR DLD-5430N-7-0B			1.00
33	HK03464000B	PIN CONTACT				2.00

WIPER COMPONENTS



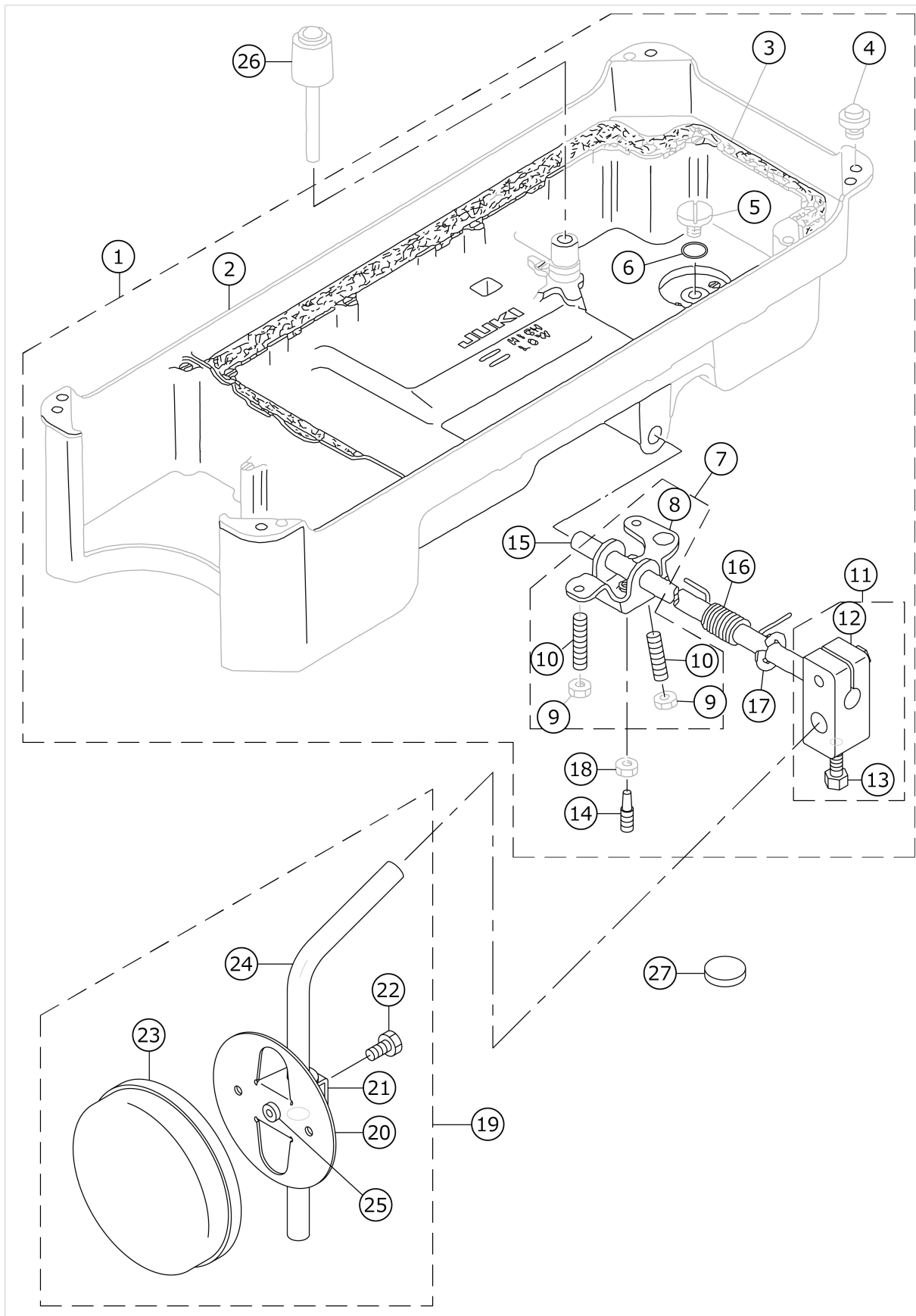
No.	品番	品名	備考	子部品	消耗品	個数
1	22955553	WIPER ASM.				1.00
2	22955504	WIPER COVER		*		1.00
3	SL4030631SC	SCREW M3X6		*		1.00
4	SD0650321TP	HINGE SCREW D=6.5 H=3.2		*		1.00
5	NS6090310SP	NUT 9/64-40		*		1.00
6	22956106	WIPER LINK A		*		1.00
7	22956403	WIPER LINK B		*		1.00
8	RE0250000K0	E-RING 2.5		*		1.00
9	22956908	WIPER LINK B HINGE SCREW		*		1.00
10	22956205	WIPER HINGE SCREW COLLAR		*		1.00
11	22956304	WIPER SPRING		*		1.00
12	NS6110310SP	NUT 11/64-40		*		1.00
13	22955900	WIPER RUBBER A		*		1.00
14	22956007	WIPER RUBBER B		*		1.00
15	40106936	WIPER SOLENOID ASM.		*		1.00
16	22957104	WIPER SOLENOID SHAFT		*		1.00
17	HA00600000A	SWITCH		*		1.00
18	22956809	WIPER COLLAR		*		1.00
19	RE0500000K0	E-RING		*		1.00
20	11110152	WIPER BASE ASM.		*		1.00
21	22957203	WIPER LINK COLLAR		*		1.00
22	SL4030641SE	SCREW		*		3.00
23	11111051	WIPER DRIVING SHAFT ASM.		*		1.00
24	22957005	WIPER		*		1.00
25	SS6090540SP	SCREW 9/64-40 L= 5.0		*		1.00
26	WP0482086SD	WASHER 4.8X11.5X2				1.00
27	SS4120915SP	SCREW 3/16-28 L=9				2.00

OIL LUBRICATION COMPONENTS



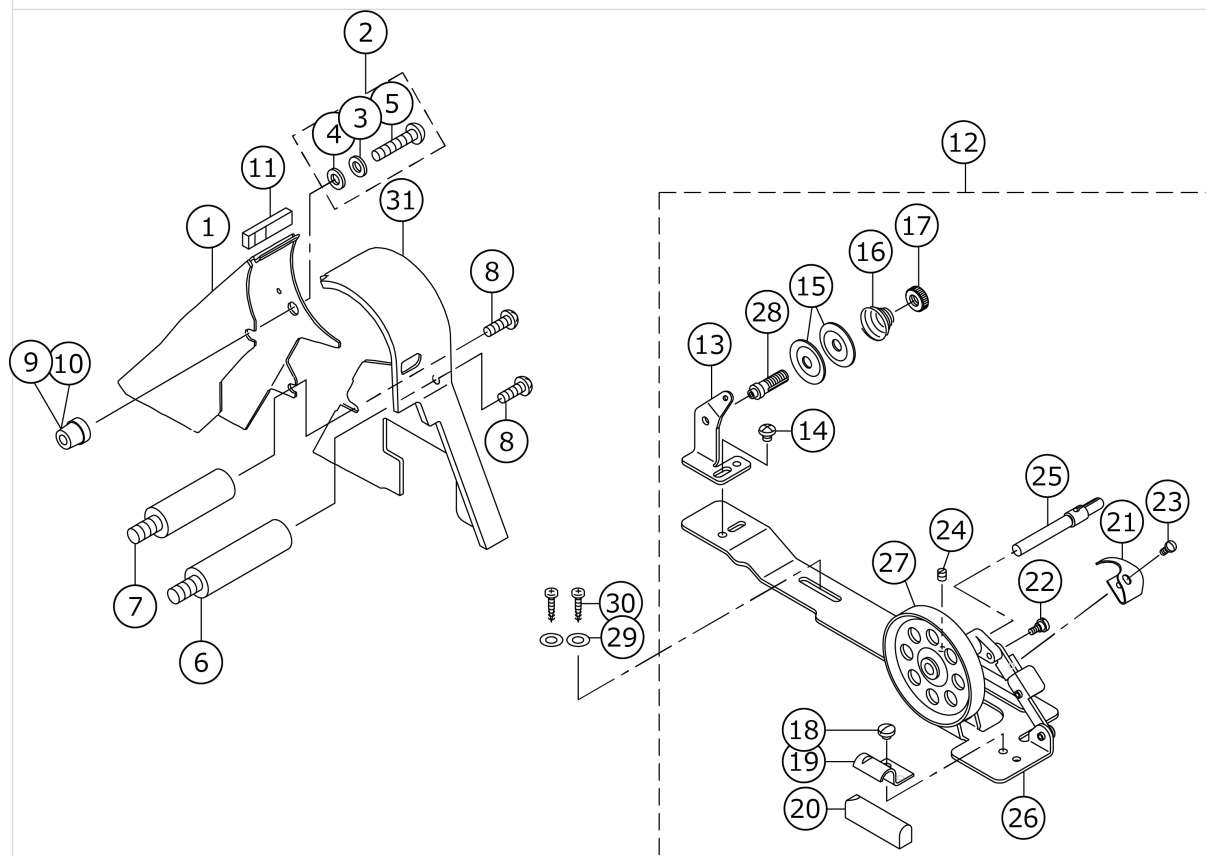
No.	品番	品名	備考	子部品	消耗品	個数
1	22947006	OIL SIGHT WINDOW				1.00
2	RO195240100	RUBBER RING				1.00
3	22924401	MAIN SHAFT OIL TUBE				1.00
4	SS4120615SP	SCREW 3/16-28 L=6				1.00
5	22925101	OIL FELT PRESSER				1.00
6	22924153	RETURN PIPE ASM.				1.00
7	22924302	RETURN PIPE HOLDER		*		1.00
8	CQ202000000	OIL WICK				0.28
9	22925002	OIL REGULATOR SCREW				1.00
10	22924906	OIL REGULATOR SCREW SPRING				1.00
11	22924500	HOOK OIL TUBE				1.00
12	11392057	OIL PUMP ASM.				1.00
13	22923312	OIL PUMP INSTALLING BASE		*		1.00
14	22923015	OIL PUMP		*		1.00
15	22923700	IMPELLER		*		1.00
16	SE4301041SR	SCREW D=3 L=10		*		3.00
17	22923205	PUMP BODY COVER		*		1.00
18	22923809	PUMP BODY SUPPORT PLATE		*		1.00
19	22923403	PLUNGER		*		1.00
20	22923601	PLUNGER SPRING		*		1.00
21	22923502	PLUNGER SCREW		*		1.00
22	22923908	HOOK DRIVING SHAFT OIL TUBE		*		1.00
23	SL4030851SF	SCREW M3 L=8		*		3.00
24	SS6111010SP	SCREW 11/64-40 L= 9.5				1.00
25	22924005	PUMP BODY STRUT				1.00
26	SS4150915SP	SCREW 15/64-28 L=9				1.00
27	22924609	RUBBER JOINT				1.00
28	22924807	PIPE HOLDER LOWER				1.00
29	SS4150915SP	SCREW 15/64-28 L=9				1.00
30	22924708	OIL SIGHT WINDOW	FOR DLD-5430N			1.00
31	22942601	OIL SHIELD				1.00

OIL RESERVOIR COMPONENTS



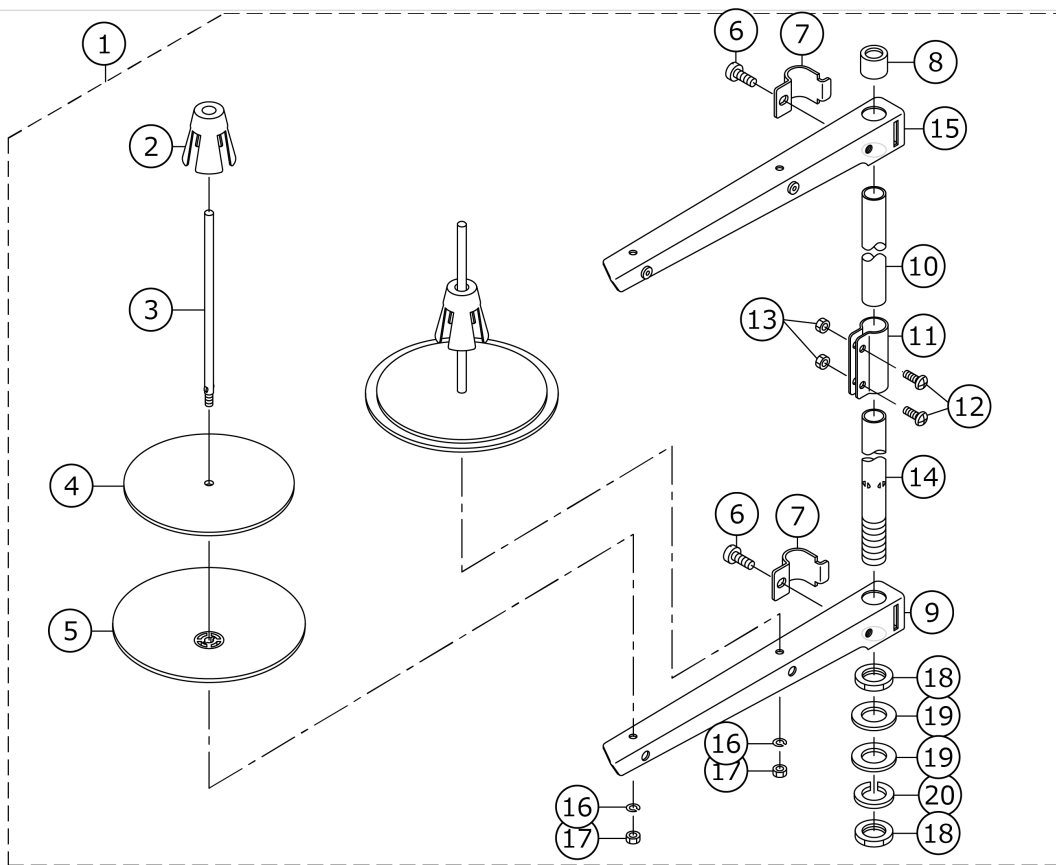
No.	品番	品名	備考	子部品	消耗品	個数
1	11047057	OIL RESERVOIR ASM.				1.00
2	11023017	OIL RESERVOIR		*		1.00
3	11024700	GASKET		*		1.00
4	11047107	RUBBER CUSHION		*		4.00
5	SS6700710SH	SCREW 5/16-24 L=7		*		1.00
6	RO098240100	RUBBER RING		*		1.00
7	22932156	KNEE LIFTER ROTATION ARM ASM.		*		1.00
8	22932107	KNEE LIFTER ROTATION ARM		*		1.00
9	NM6060001SE	NUT M6		*		2.00
10	SM8063012TR	SCREW M6 L=30		*		2.00
11	22932453	BRACKET ASM.		*		1.00
12	22932404	BRACKET		*		1.00
13	22934707	SCREW		*		2.00
14	40101720	SCREW_M6		*		1.00
15	22932305	KNEE PRESS ROD		*		1.00
16	22932206	SPRING		*		1.00
17	RE1000000K0	E-RING 10		*		1.00
18	NM6060001SE	NUT M6		*		1.00
19	22934251	KNEE PRESS PLATE ASM.				1.00
20	22934202	KNEE PRESS PLATE		*		1.00
21	22934301	KNEE PRESS PLATE HOLDER		*		1.00
22	SM9061203SE	SCREW M6 L=12		*		1.00
23	22934509	KNEE PRESS PLATE COVER		*		1.00
24	22934608	KNEE LIFTER PLATE ROD		*		1.00
25	22934400	RUBBER		*		1.00
26	11024304	KNEE PRESS LIFTER ROD				1.00
27	B8228125000	OIL RESERVOIR MAGNET				1.00

BELT COVER & BOBBIN WINDER COMPONENTS



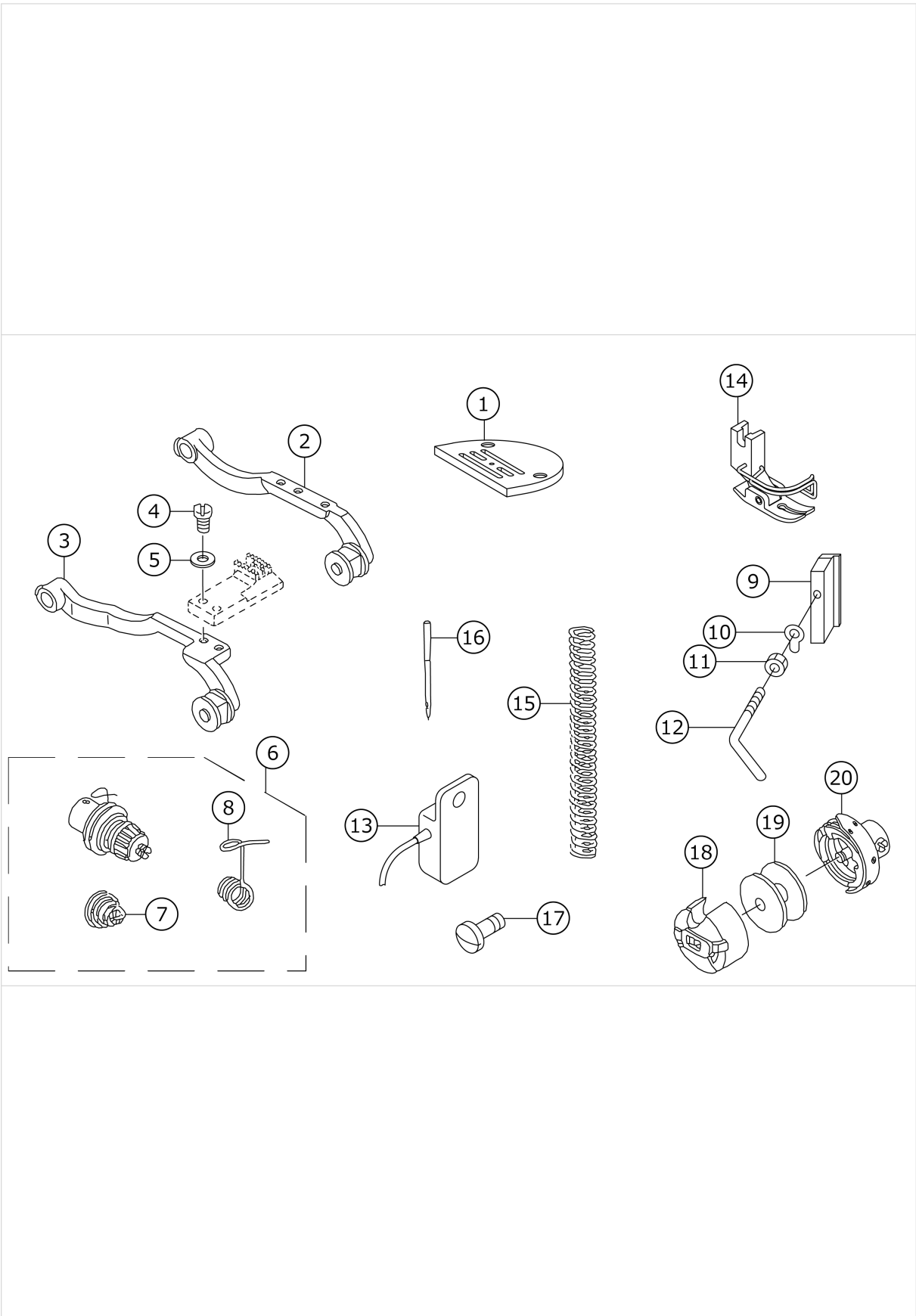
No.	品番	品名	備考	子部品	消耗品	個数
1	11258308	BELT COVER A				1.00
2	11047354	BELT COVER SET SCREW ASM.				1.00
3	WP0820526SD	WASHER 8.2X14X0.5		*		1.00
4	11047305	BELT COVER RUBBER CUSHION		*		1.00
5	SS4701415SD	SCREW		*		1.00
6	11023504	BELT COVER SUPPORT A				1.00
7	11391604	BELT COVER SUPPORT B				1.00
8	SS7120640SP	SCREW 3/16-28 L=6				2.00
9	11047255	BELT COVER COLLAR ASM.				1.00
10	11023603	BELT COVER COLLAR	FOR DLD-5430N			1.00
11	11222908	COVER FELT				1.00
12	22927354	BOBBIN WINDER COMPL.				1.00
13	22928501	THREAD TENSION POST BASE		*		1.00
14	SS4110515SP	SCREW 11/64-40 L=5		*		1.00
15	22928907	THREAD TENSION DISK		*		2.00
16	22929004	THREAD TENSION SPRING		*		1.00
17	22928808	NUT		*		1.00
18	SS7110350SP	SCREW 11/64-40 L=3.5		*		1.00
19	22928402	CONTROL RUBBER HOLDING PLATE		*		1.00
20	22928303	CONTROL RUBBER		*		1.00
21	22928105	BOBBIN PRESSER		*		1.00
22	SD0490261SP	HINGE SCREW D=4.9 H=2.6		*		1.00
23	SS7081310SP	SCREW 1/8-44 L=12.5		*		1.00
24	SS8110510SP	SCREW 11/64-40 L=5		*		1.00
25	22927602	BOBBIN WINDER SPINDLE		*		1.00
26	22927305	BOBBIN WINDER BASE		*		1.00
27	22927404	BOBBIN WINDER		*		1.00
28	22928709	THREAD TENSION POST		*		1.00
29	WP0450826SC	WASHER 4.5X10X0.8				2.00
30	SK3412000SC	WOOD SCREW D=4.1 L=20				2.00
31	11397205	BELT COVER B				1.00

THREAD STAND COMPONENTS



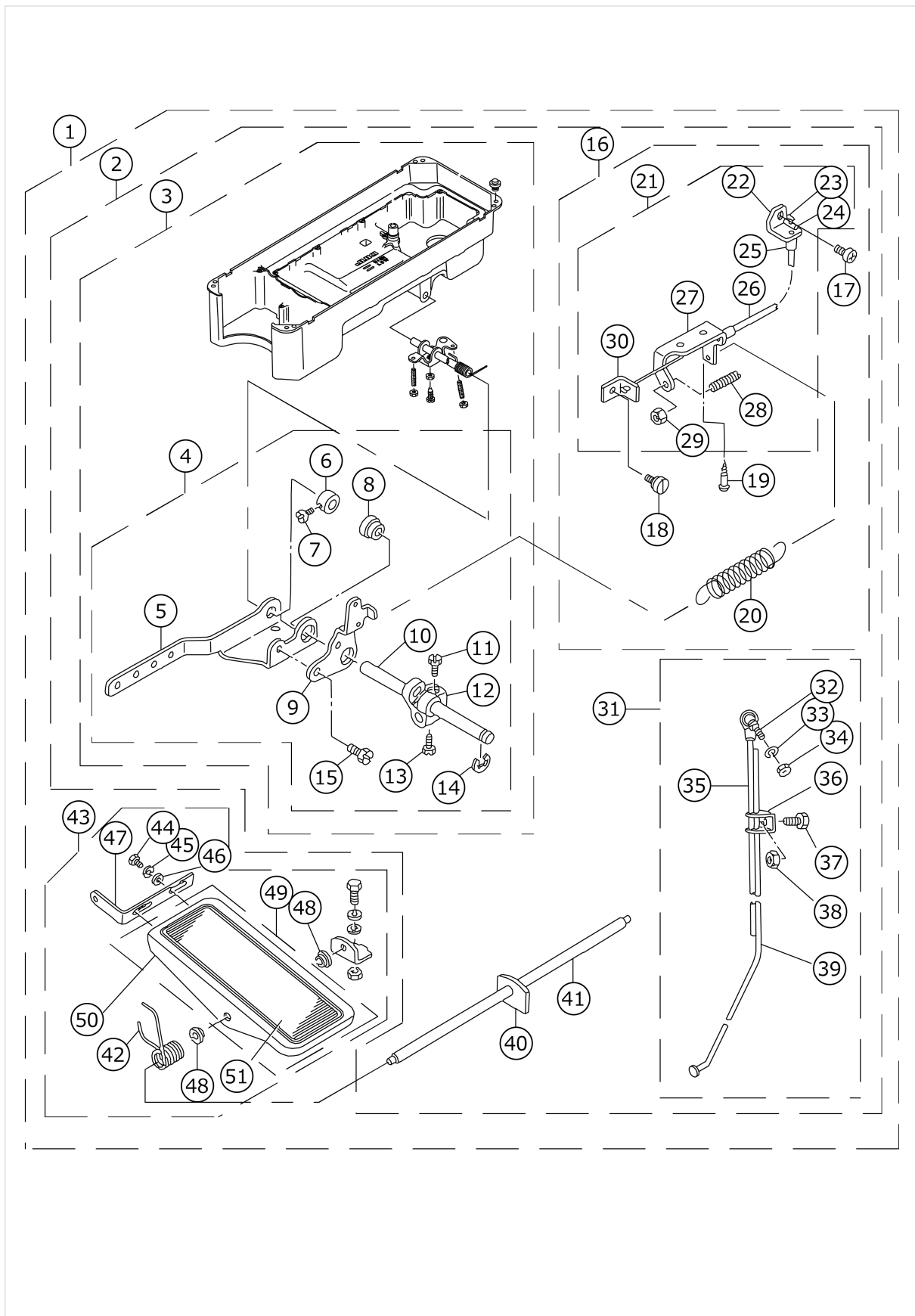
No.	品番	品名	備考	子部品	消耗品	個数
1	22930358	THREAD STAND ASM.				1.00
2	22931109	SPOOL RETAINER		*		2.00
3	22931000	SPOOL PIN		*		2.00
4	22930903	SPOOL REST CUSHION		*		2.00
5	22930804	SPOOL REST		*		2.00
6	SM6061610SC	SCREW M6 L=16		*		2.00
7	22930705	THREAD GUIDE ARM JOINT		*		2.00
8	22931406	SPOOL REST ROD RUBBER CAP		*		1.00
9	22930507	SPOOL REST ARM		*		1.00
10	22930408	SPOOL REST ROD UPPER		*		1.00
11	22931307	SPOOL REST ROD JOINT		*		1.00
12	SM4051405SE	SCREW M5 L=14		*		2.00
13	NM6050001SE	NUT M5		*		2.00
14	22930309	SPOOL REST ROD LOWER		*		1.00
15	22930556	THREAD STANDING ARM ASM.		*		1.00
16	WS0510002KN	SPRING WASHER		*		2.00
17	NM6050001SE	NUT M5		*		2.00
18	NM6160511SE	NUT M16X1.5		*		2.00
19	WP1612616SE	WASHER 16X30X2.6		*		2.00
20	WS1643202KR	SPRING WASHER		*		1.00

EXCLUSIVE PARTS FOR DLD-5430NE-7



No.	品番	品名	備考	子部品	消耗品	個数
1	11380201	THROAT PLATE				1.00
2	11393154	MAIN FEED BASE ASM.				1.00
3	11393451	SUB-FEED BASE ASM.				1.00
4	SS7060510SP	SCREW 3/32-56 L=4.8				1.00
5	WP0280500SC	WASHER				1.00
6	40011503	THREAD TENSION ASM.				1.00
7	40054785	THREAD TENSION SPRING		*		1.00
8	40054784	THREAD TAKE-UP SPRING		*		1.00
9	11403805	THREAD GUIDE C FITTING PLATE				1.00
10	11404209	SPACER				1.00
11	11404308	NUT				1.00
12	22972608	ARM THREAD GUIDE C				1.00
13	M6005350AAS	RESISTOR PACK AS ASM.				1.00
14	D1524555DBA	PRESSER FOOT ASM.				1.00
15	B1505227T00A	PRESSER SPRING T				1.00
16	MDB1SFB0900	NEEDLE DBX1SF #9				1.00
17	11079506	FRONT SCREW				1.00
18	B18370120A0	BOBBIN CASE ASM.				1.00
19	22964001	BOBBIN A				1.00
20	11079456	OIL HOOK ASM.				1.00

PF-7: PEDAL/KNEE PRESSER-CONTROLLED GATHERING MECHANISM (SPECIAL ORDER PARTS)



No.	品番	品名	備考	子部品	消耗品	個数
1	GPF070200BA	PF-7:MECHANISH ASM. B				1.00
2	GPF070200A0	PF-7:MECHANISM ASM. A		*		1.00
3	11245156	OIL RESERVOIR ASM.		*		1.00
4	GPF070500A0	GATHERING MECHANISM ASM.		*		1.00
5	11245305	PEDAL CONNECTING ARM		*		1.00
6	CS1111019SH	THRUST COLLAR D=11.11 W=10		*		1.00
7	SS8660530TP	SCREW 1/4-40 L= 4.5		*		1.00
8	GPF01015000	CONNECTING ROD LOWER		*		1.00
9	11245404	DRIVING ARM		*		1.00
10	11245206	KNEE PRESSER LIFTING SHAFT		*		1.00
11	SS9151540SR	SCREW 15/64-28 L=15		*		1.00
12	22983902	BRACKET		*		1.00
13	SS9151160CP	SCREW 15/64-28 L=10.5		*		1.00
14	RE1000000K0	E-RING 10		*		1.00
15	SS9661120CP	SCREW 1/4-40 L=10.5		*		1.00
16	GPF070300B0	WIRE ASM.		*		1.00
17	SS4120915SP	SCREW 3/16-28 L=9		*		1.00
18	SD0640241SP	HINGE SCREW D= 6.35 H= 2.4		*		1.00
19	SK3482500SC	WOOD SCREW D=4.8 L=25		*		2.00
20	B3417552000	LIFTING LEVER LINK SPRING		*		1.00
21	GPF070300A0	WIRE ASM.		*		1.00
22	GPF07031000	WIRE TUBE SUPPORT PLATE		*		1.00
23	GPF01005000	WIRE STOPPER		*		2.00
24	GPF01004000	WIRE ROLL PIN		*		1.00
25	GPF01003000	WIRE TUBE GUIDE		*		2.00
26	GPF01002000	WIRE TUBE		*		1.00
27	11245602	STOPPER		*		1.00
28	SS8153010SR	SCREW 15/64-28 L=30		*		1.00
29	NS6150430SP	NUT 15/64-28		*		1.00
30	GPF01008000	WIRE SUPPORTER		*		1.00
31	GPF010150C0	CONNECTING ROD ASM.		*		1.00
32	D7117555BA0	JOINT BAR A ASM.		*		1.00
33	WS0641560KR	SPRING WASHER 6.4X11.9X1.5		*		1.00
34	NM6060001SE	NUT M6		*		1.00
35	D7115555B0B	CONNECTING ROD (B)		*		1.00
36	B7114012000	MOTOR CONNECTING ROD		*		1.00
37	SM9081423SE	SCREW M8 L=14		*		1.00
38	NM6080721SE	NUT M8		*		1.00
39	GPF01015000	CONNECTING ROD LOWER		*		1.00
40	GPF06017000	PEDAL SHAFT BRACKET		*		1.00
41	GPF01016000	PEDAL SHAFT		*		1.00
42	11245800	SPRIG		*		1.00
43	GPF060600B0	PEDAL ASM.		*		1.00
44	SM9061203SE	SCREW M6 L=12		*		2.00
45	WS0621210KR	SPRING WASHER 6.2X11.4X1.2		*		2.00
46	WP0671016SE	WASHER 6.7X13X1		*		2.00
47	GPF06080000	PEDAL ADJUSTING PLATE		*		1.00
48	D8113555B00	PEDAL BUSHING		*		2.00
49	GPF060600A0	PEDAL ASM.		*		1.00
50	GPF06060000	PEDAL		*		1.00

51	GPF06070000	PEDAL MAT		*		1.00
----	-------------	-----------	--	---	--	------

HOW TO MAKE USE OF THIS PARTS LIST

1.Explanation of codes

1)"*"mark.....means this part is changed from the previous parts book.

As to the details of the change, refer to the "List for information of change".

2)"#01".....refer to "Note" explanation at bottom of page.

2.Codes on the "Qty" column

· Each numeral indicates the number of parts required.

· "0.1" and "2.5" indicate the length (in meters) of the respective parts.

3.Parentheses mean that the corresponding part is a subpart that constructs an assembly part.

4.Dotted lines on the Figures indicate assembly parts.

1."注記"欄の記号説明

1) "*"印.....前回のパーツブックに比較して今回変更された部品を意味します。

変更内容は、"変更情報リスト"を参照してください。

2) "#01".....ページ下の"注記"の説明を参照してください。

2.数量欄の数字は、個数を表し、0.1、2.5等の数値は、長さ（単位メートル）を表します。

3.数量欄の（ ）は、組部品を構成している子部品であることを意味します。

4.イラストページの-----枠は、組構成であることを意味します。