

PARTS LIST

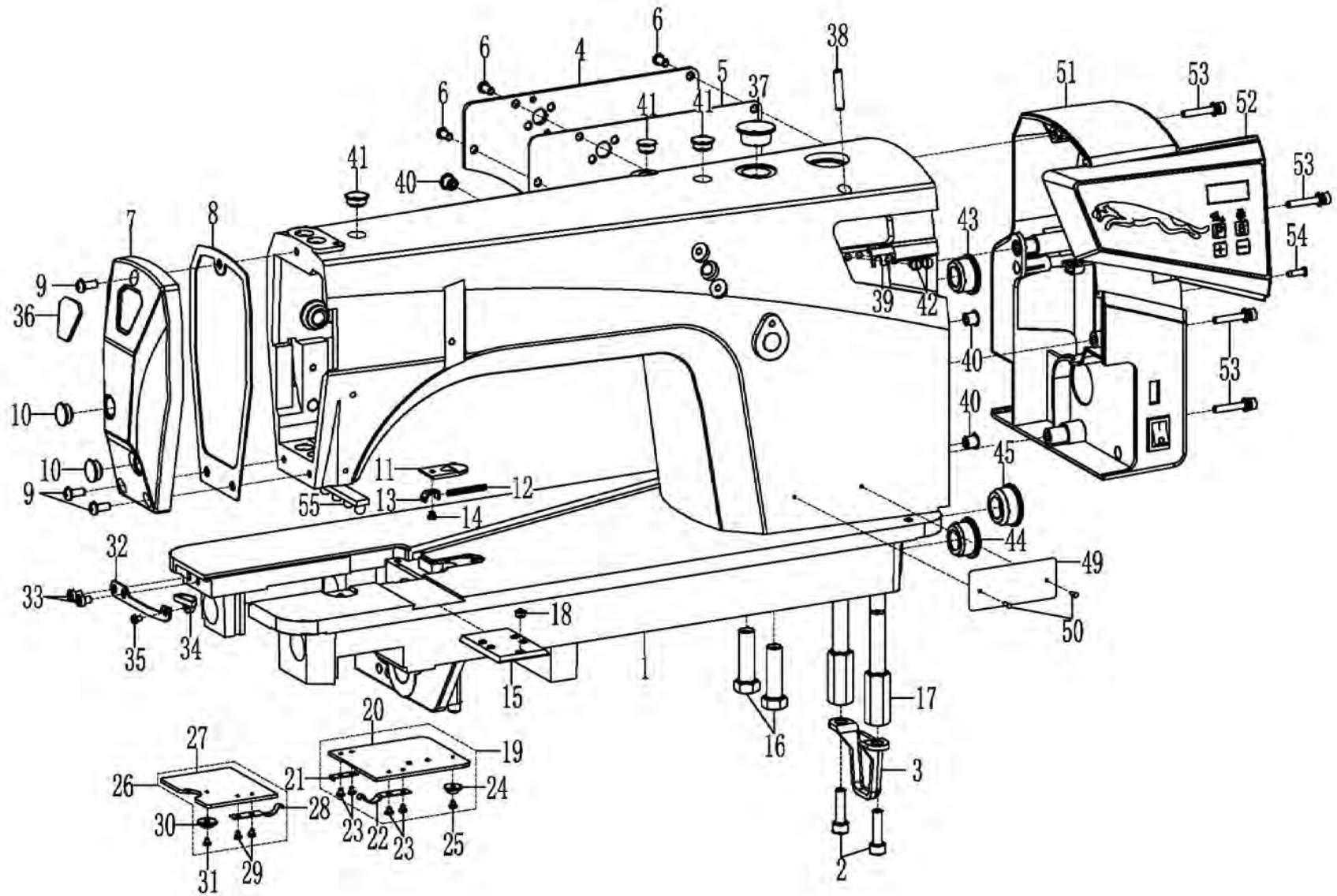
H-1

零件表 /PARTS LIST

目录 / INDEX

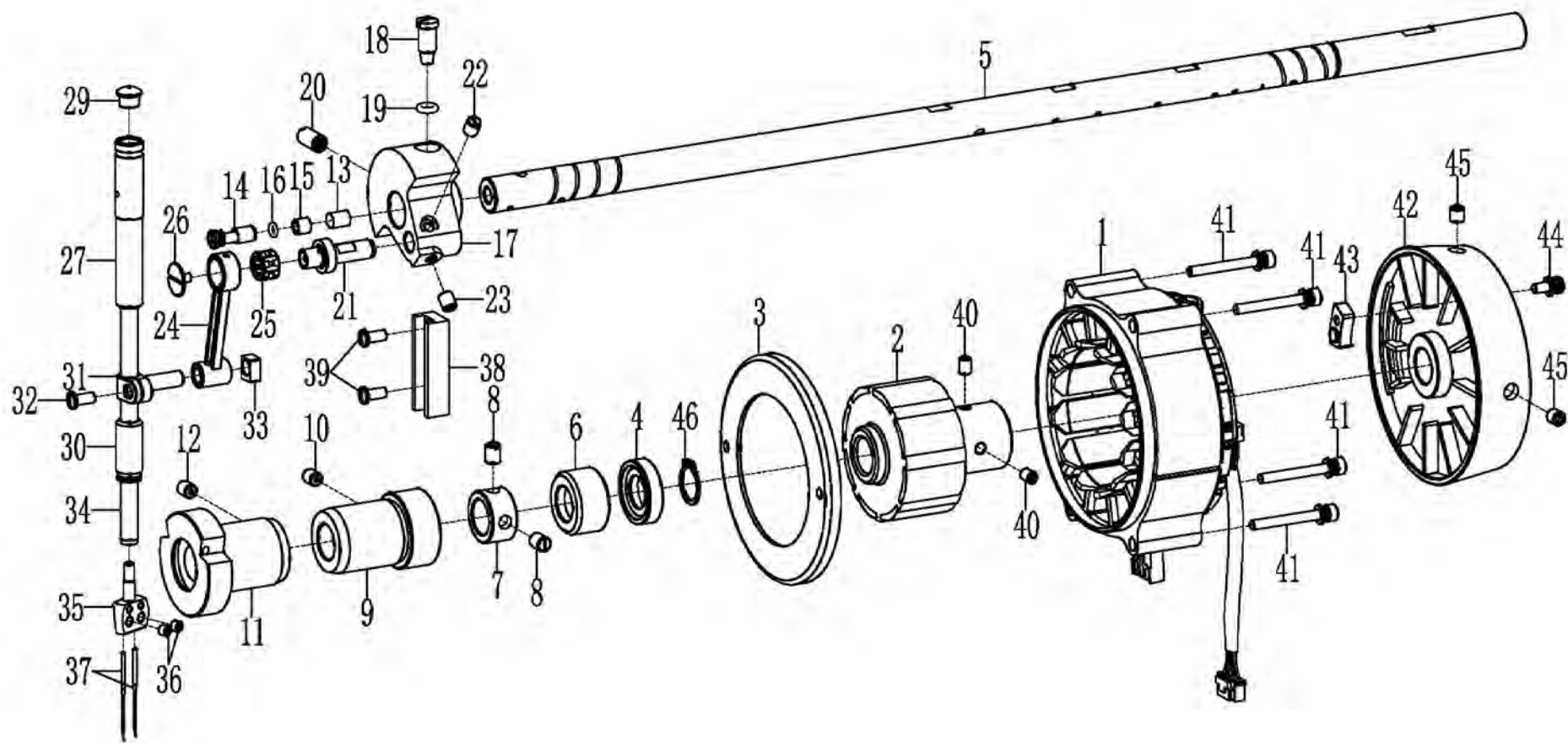
1. 机壳分组件 / Arm bed components	1
2. 上轴针杆分组件 / Main shaft & needle bar components	3
3. 压料分组件 / Presser bar components	5
4. 送料分组件 (1) / Feed mechanism components (1)	7
5. 送料分组件 (2) / Feed mechanism components (2)	9
6. 送料调节分组件 / Feed regulating components	11
7. 弯针勾线分组件 (1) / Looper thread retainer components (1)	13
8. 弯针勾线分组件 (2) / Looper thread retainer components (2)	15
9. 挑线、松线、夹线分组件 (1) / Thread take-up, tension, and tension releasing assembly components (1)	17
10. 挑线、松线、夹线分组件 (2) / Thread take-up, tension, and tension releasing assembly components (2)	19
11. 润滑分组件 / Lubrication	21
12. 油盘、膝抬压脚分组件 / Oil reservoir & knee lifter components	23
13. 机头附件 / Machine head accessories	25
14. 过线架分组件 / Thread stand components	27
15. 机架、台板、电器分组件 / Machine stand, table & electric appliance components	29
16. 单针、三针专用部件 / Special parts for single needle and three needles	31
17. 直驱拖轮的装置部分 (装置不可后加装) (1) / Direct drive tugboat components (The device cannot be installed after installation)(1)	33
18. 直驱拖轮的装置部分 (装置不可后加装) (2) / Direct drive tugboat components (The device cannot be installed after installation)(2)	35
19. 双针链缝机针位一览表 / List of accessories for double-needle chainstitcher	37

1. 机壳分组件 / Arm bed components



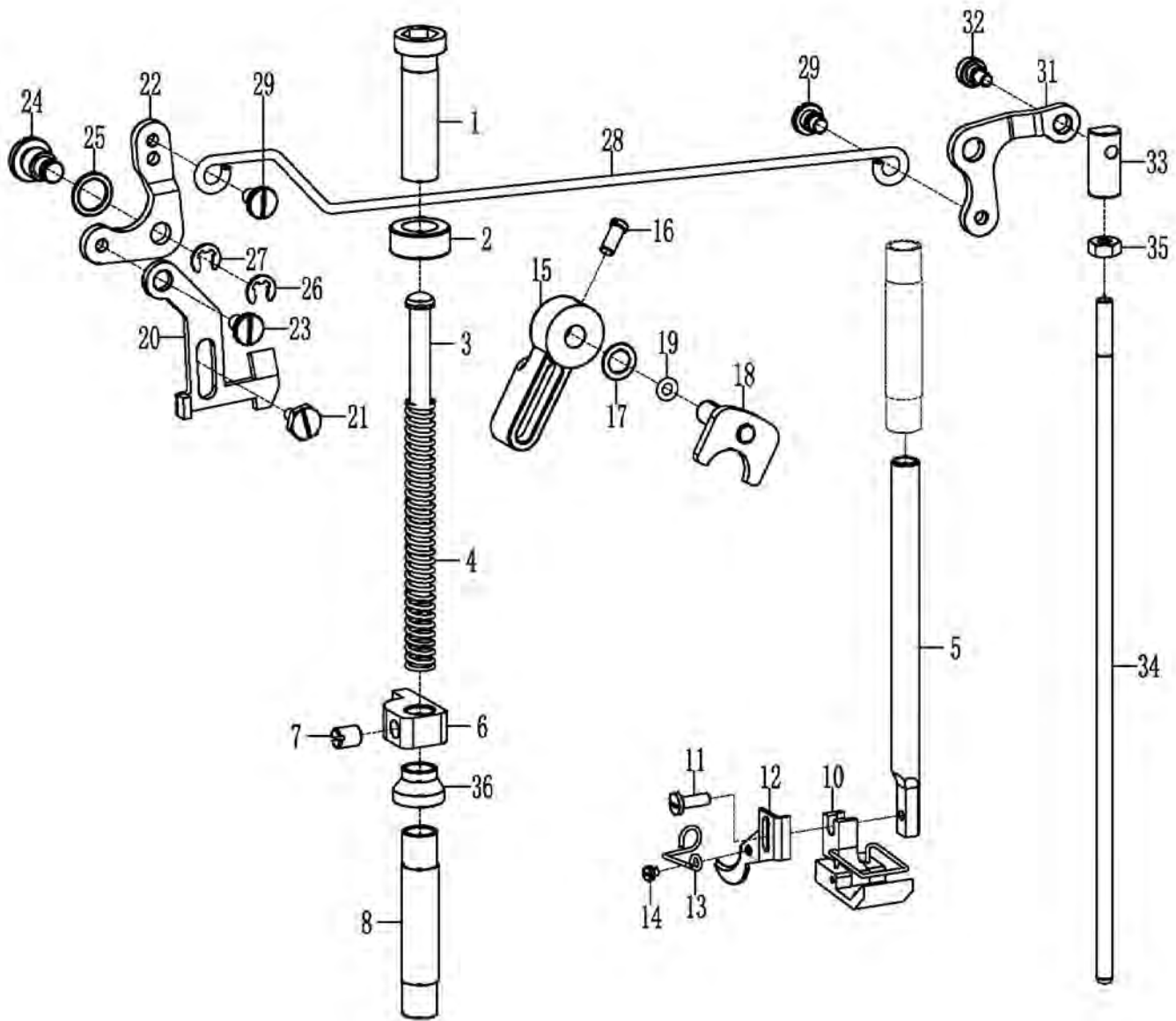
序号 Ref.NO	件号 Part No	名称	Description	数量 QTY
1	JINO31204014	机壳部件	Arm bed compkte	1
2	JINPF3800006	底板支撑螺钉	Screw	2
3	JINPF38000103	底板支撑板	Bed support	1
4	JINPF38000104L	后窗板	Side plate	1
5	JINPF380001051	后窗板垫	Gasket	1
6	JINPF6150211	后窗板螺钉	Side platc screw	8
7	JINPF3800DP010702	面板	Face plate	1
8	JINPF3800DP0108	面板垫	Face plate gasket	1
9	JINPF6150107	面板螺钉	Screw	3
10	JINPF6150104	面板调节螺孔塞	Rubber plug	2
11	JINPF38000111	凸轮盖压板	Cam cover latch	1
12	JINPF38000112	凸轮盖压板弹簧	Spring	1
13	JINPF38000113	凸轮盖压板弹簧座	Spring suspension	1
14	JINPF38000114	凸轮盖压板座螺钉	Screw	1
15	JINPF38000115	附件安装板	Attachment installing plate	1
16	JINSCJ2102	拼装螺钉	Screw	2
17	JINSK931204301-1	拼装长螺钉	Screw	1
18	JINPF38000118	附件安装板定位螺钉	Screw	1
19	JINPF38000119	凸轮盖部件	Cam cover sam	1
20	JINPF38000120	凸轮盖	Cam cover	1
21	JINPF38000121	凸轮盖托板	Cam cover	1
22	JINPF38000122	凹轮盖弹簧	Spring	1
23	JINPF38000118	凹轮盖弹簧螺钉	Screw	4
24	JINPF38000124	凹轮盖导轮	Cam cover guide	1
25	JINPF38000118	凹轮盖导轮螺钉	Screw	1
26	JINPF38000126	推板部件	Bed slide asm	1
27	JINPF38000127	推板	Bed slide	1
28	JINPF38000128	推板簧	Spring	1
29	JINPF38000118	推板簧螺钉	Screw	2
30	JINPF38000130	推板导轮	Bed slide guide	1
31	JINPF38000118	推板导轮螺钉	Screw	1
32	JINPF38000132	推板锁簧	Bed slide lock spring	1
33	JINPF5550725	推板锁簧螺钉	Screw	2
34	JINPF38000134	推板簧把手	Latch	1
35	JINPF5550834	推板簧把手螺钉	Screw	1
36	JINPFQ50140	面板装饰板	Plate	1
38	JINSCJ2011	内六角螺钉	Screw	1
39	JINPFQ5150	支架	Stand	1
40	JINPF38000140	轴套定位螺纹塞	Rubber plug	3
41	JINPF8420M-D30646	上轴套油线孔塞	Rubber plug	3
42	JINPFQ5149	支架固定螺钉	Screw	2
43	JINPF38000143	送料针距调节孔塞	Rubber plug	1
44	JINPF38000144	抬牙轴孔塞	Rubber plug	1
45	JINPF38000145	下轴盲孔塞	Rubber plug	1
49	JINPFQ60113	型号牌	Name Plate	1
50	JINPFQ60121	型号牌柳钉	Rivet	2
51	JINPFQ1190	电机罩组件	Pilley cover panel	1
52	JINPFQ1190	操作面板组件	Operation panel	1
53	JINSCJ2004	内六角螺钉	Screw	4
54	JINSCJ2035	自攻螺钉	Screw	1
54	JINPR38000150	LED灯	LED	1

2. 上轴针杆分组件 / Main shaft & needle bar components



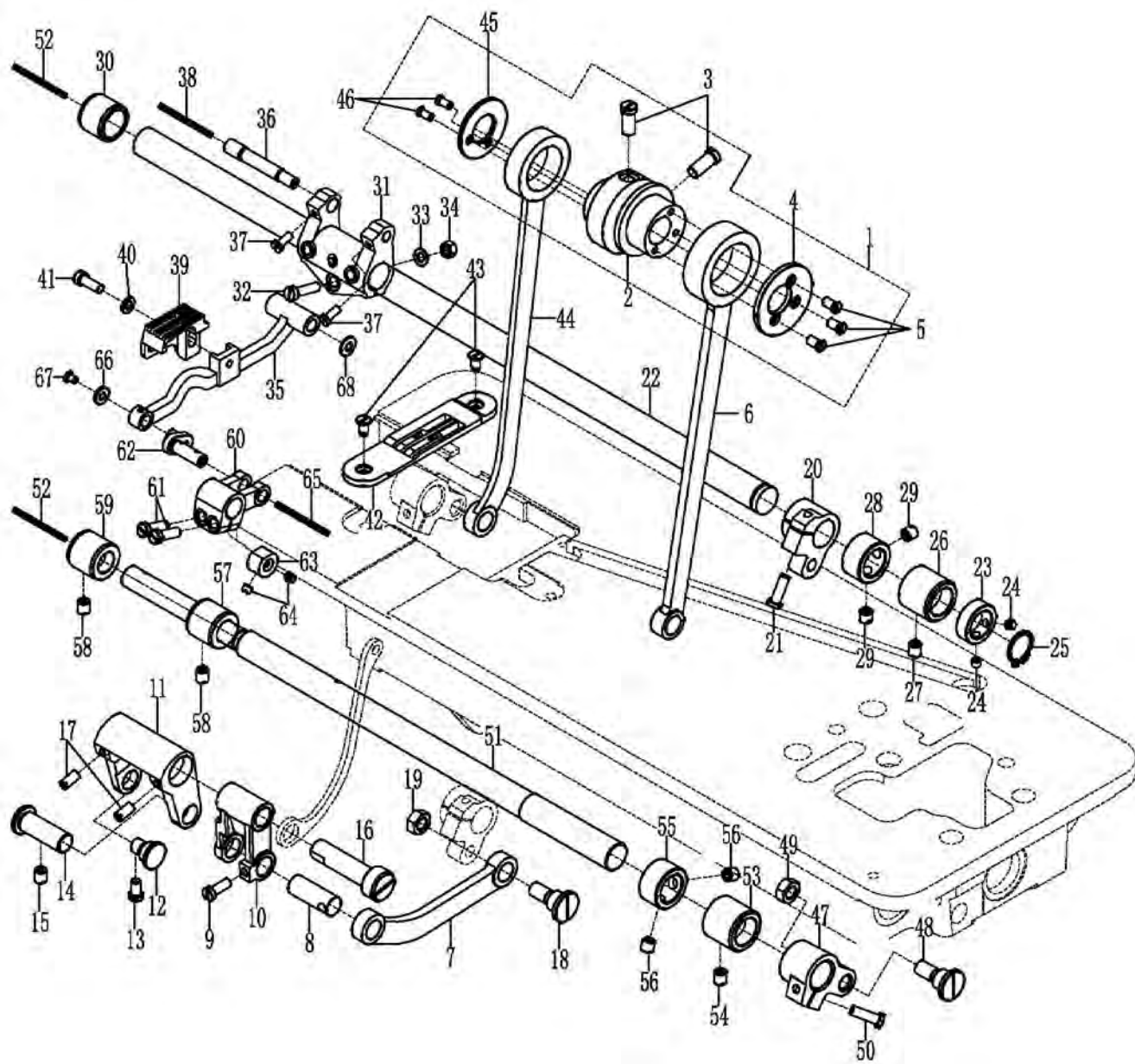
序号 Ref. NO	件号 Part NO	名称	Description	数量 QTY
1	JINPF9802DP0219	无壳电机组件	Motor stator	1
2	JINPF9802DP0219	电机转子	motor totor	1
3	JINPF9802DP0219	塑料绝缘垫圈	Insulated washer	1
4	JINPF38000204	上轮油封	Oil seal	1
5	JINPF3800DP0205	上轴	Main shaft	1
6	JINPF3800DP0206	上轴后套部件	Main shaft busgingear	1
7	JINPF38000207	上轴挡圈螺钉	Main shaft thrust collar	1
8	JINPF555047	上轴挡圈螺钉	Screw	2
9	JINPF38000209	上轴中轴套部件	Main shaft bushing intermediate	1
10	JINPF555056	中轴套螺钉	Screw	1
11	JINPF38000211	上轴前轴套部件	Main shaft bushing front	1
12	JINPF5550227	轴套螺钉	Bushing screw	1
13	JINPF5550211	曲柄油量限制毡	Roller felt	1
14	JINPF5550212	曲柄油量调节销	Crank oil adjusting pin	1
15	JINPF5550213	曲柄油量调节销套	Rubber bushing	1
16	JINPF5550214	曲柄油量调节销O形圈	O-Rubbcr ring	1
17	JINPF3800021701	针杆曲柄	Counterweight asm	1
18	JINPF5550216	针杆曲柄定位螺丝	Screw	1
19	JINPF5550217	定位螺钉O形圈	O-Rubbcr ring	1
20	JINPF5550218	针杆曲柄固定螺丝	Screw	1
21	JINPF38000221	针杆连杆销	Needle crank	1
22	JINPF5550330	挑线曲柄定位螺钉	Screw	1
23	JINPF5550330	挑线曲柄螺钉	Screw	1
24	JINPF555031	针杆连杆	Needle bar crank rod	1
25	JINPF555022401	针杆连杆液针轴承	Needle roller bearing	1
26	JINPF5550228	针杆连杆左旋螺钉	Left twist screw	1
27	JINPF38000227	针杆上衬套	Needle bar bushing upper	1
29	JINPF555037	针杆上衬套孔塞	Rubber plug	1
30	JINPF5550H38	针杆下衬套	Needle bar bushing lower	1
31	JINPF555033	针杆连接柱	Needle bar connection asm	1
32	JINPF5550340	针杆连接柱螺钉	Screw	1
33	JINPF555035	针杆连接柱滑块	Crank slide block	1
34	JINPF38000234	针杆	Needle bar	1
35	JINPF38000235	针夹 (1/4")	Needle clamp (1/4")	1
36	JINPF5550340	支针螺钉	Screw	2
37	JINPFDT1V716	机针	Needle	2
38	JINPF5550341	针杆接头滑块导轨	Slide blcok bushing	1
39	JINPF6150227	滑块导轨螺钉	Screw	2
40	JINPF1310D239	内六角螺钉	Screw	2
41	JINSCJ2006	内六角螺钉	Screw	4
42	JINPF9802DP0221	手轮	Hand wheel	1
43	JINPF9802DP0223	磁钢	Magnetic steel	1
44	JINSCJ2038	自带垫片螺钉	Screw	1
45	JINPF1790S033	手轮螺钉	Screw	2
46	JINSCJ1036	轴用挡圈	Retaining ring	1

3. 压料分组件 / Presser bar components



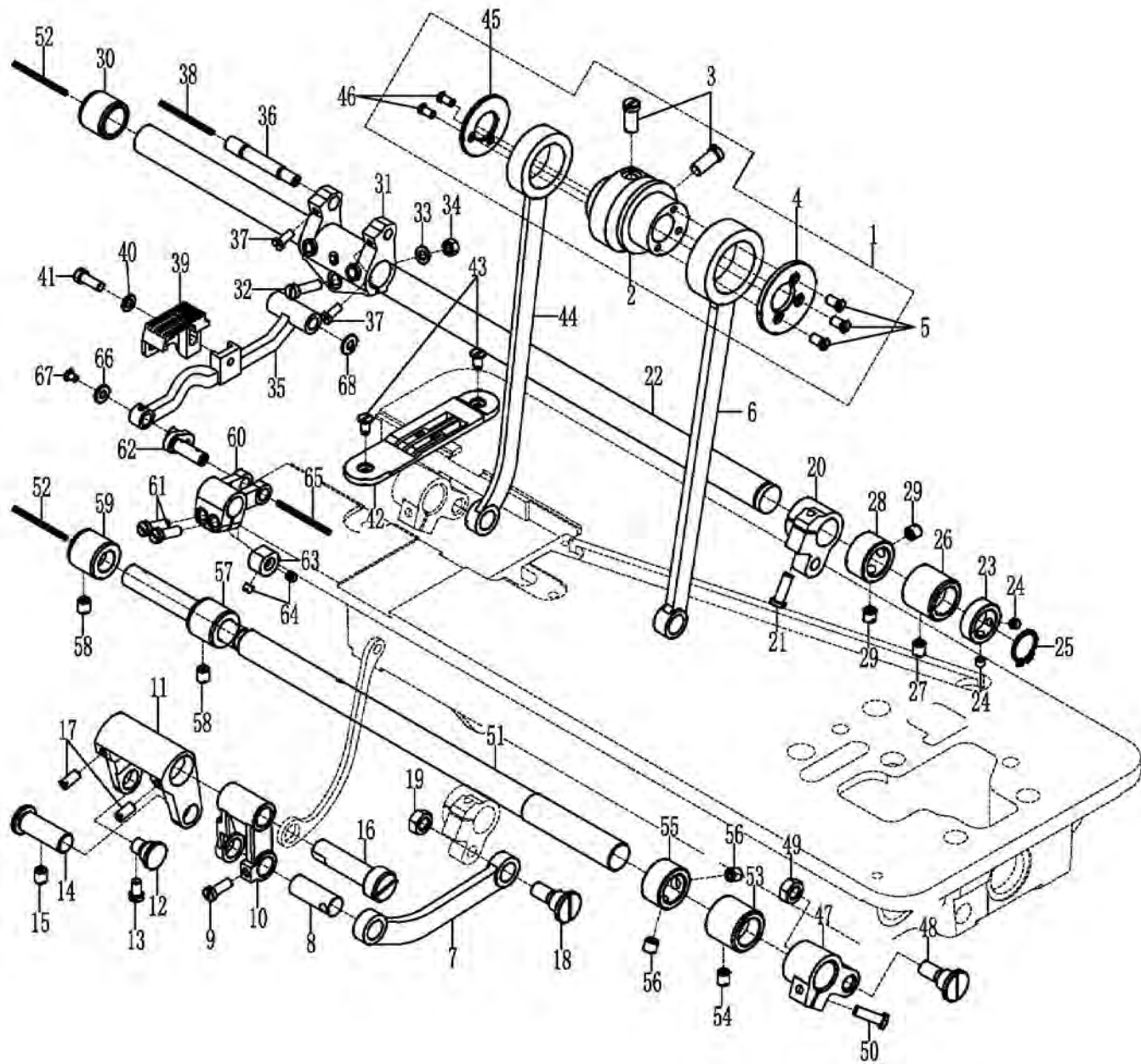
序号 Ref. NO	件号 Part NO	名称	Description	数量 QTY
1	JINPF555041	调压螺钉	Presser spring regulaior	1
2	JINPF555042	调压螺钉螺母	Nut	1
3	JINPF555043	调压导杆	Presser bar guide bar	1
4	JINPF555044	调压簧	Presser spring	1
5	JINPF38000305	压杆	Presser bar	1
6	JINPF3800DP0306	压杆导架	Presser bar guide bracket asm	1
7	JINPF555047	压杆导架螺钉	Screw	1
8	JINPF5550410	压杆衬套	Presser bar bushing lower	1
10	JINPF38000310	压脚部件 (1/4")	Presser foot asm	1
11	JINPF5550412	压脚螺钉	Screw	1
12	JINPF38000312	切线刀	Thread knife	1
13	JINPF38000313	切线刀导钩	Thcad knife guide	1
14	JINPF03021561	切线刀导钩螺钉	Screw	1
15	JINPF38000315Q	压脚扳手	Hand lifter	1
16	JINPF555016	压脚扳手螺钉	Screw	1
17	JINPF38000317	压脚扳手垫圈	Washer	1
18	JINPF3800031803	压脚扳手凸轮部件	Hand lifter cam asm	1
19	JINPF5550416	压脚扳手O形圈	O-Rubbcr ring	1
20	JINPF38000320	压脚升降板	Lifting lever	1
21	JINPF38000321	升降板轴位螺丝	Hinge screw	1
22	JINPF38000322	抬压脚轴位螺丝	Lifting link for lifting kver	1
23	JINPF38000323	前杠杆轴位螺丝	Hinge screw	1
24	JINPF38000324	前杠杆螺纹销	Hinge pin	1
25	JINPF38000325	前杠杆螺纹销垫圈	Lifting lever gasket	1
26	JINSCJ1009	前杠杆开口挡圈	Snap ring	1
27	JINSCJ1009	前杠杆开口挡圈	Snap ring	1
28	JINPF38000328	抬压脚拉杆	Lifting lever connecting rod	1
29	JINPF38000323	抬压脚拉杆螺钉	Hinge screw	2
31	JINPF38000331	抬压脚后杠杆	Lifting kver link rear	1
32	JINPF38000332	后杠杆轴位螺钉	Hinge screw	1
33	JINPF38000333	抬压脚顶杆接头	Swivel	1
34	JINPF38000334	抬压脚顶杆	Lifting lever connecting rod. vertical	1
35	JINPF38000335	抬压脚顶杆螺母	Nut	1
36	JINPF5550432	压杆密封套	Rubber rule	1

4. 送料分组件 (1) / Feed mechanism components (1)



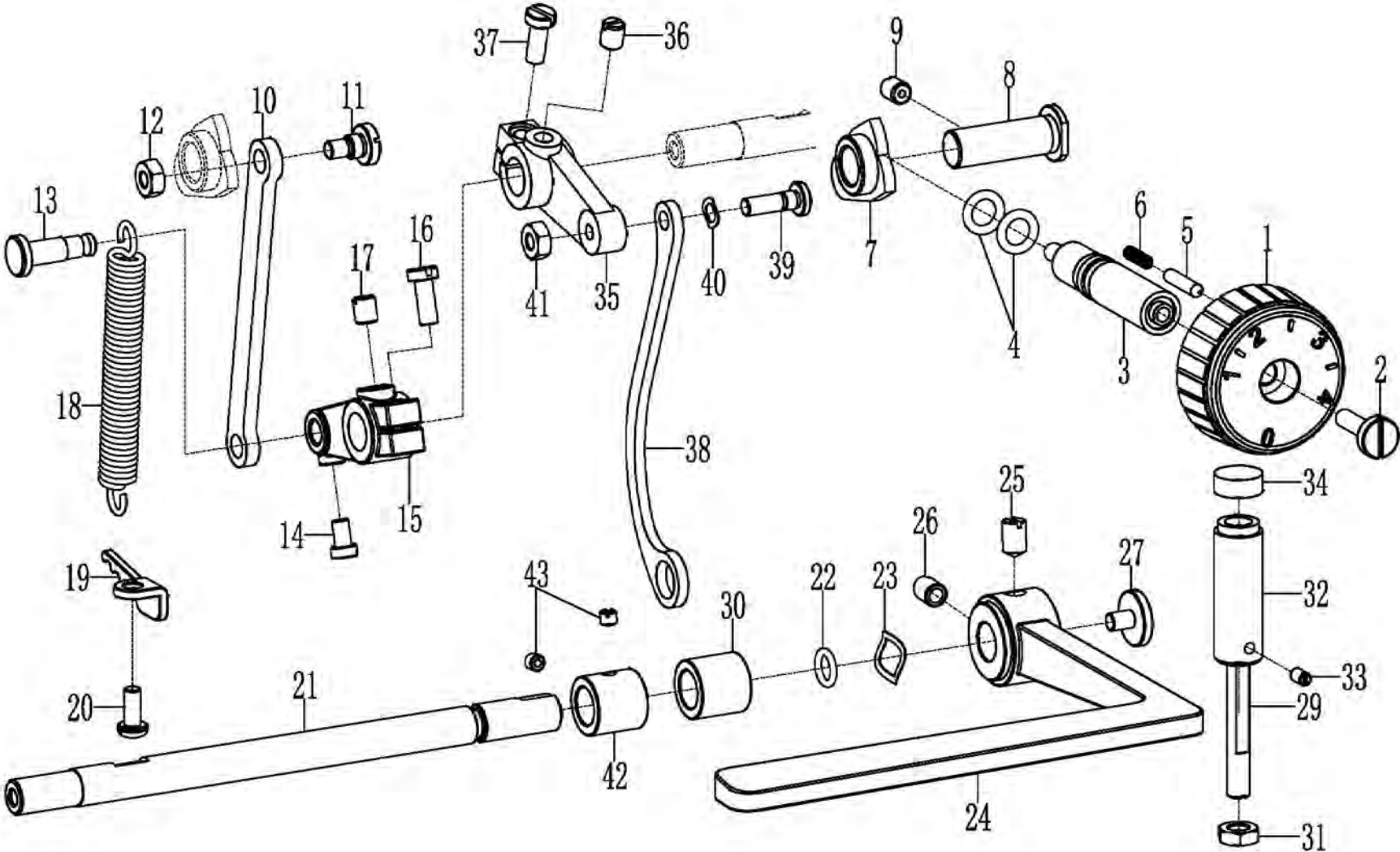
序号 Ref. NO	件号 Part NO	名称	Description	数量 QTY
1	JINPF38000401	送料偏心轮部件	Feed eccentric cam asm	1
2	JINPF38000402	送料偏心轮	Feed ccccntriv vam	1
3	JINPF555063	送料偏心轮螺钉	Screw	2
4	JINPF38000404	送料偏心轮盖板	Feed ccccntrk thrust washer	1
5	JINPF555065	偏心轮盖板螺钉	Screw	1
6	JINPF38000406	送料大连杆	Feed rocker shaft connecting rod	1
7	JINPF38000407	送料小连杆	Connecting rod	1
8	JINPF38000408	送料连杆销	Connecting pin	1
9	JINPF6150607	送料连杆销螺钉	Screw	1
10	JINPF38000410	送料摆杆	Feed driving rocker asm	1
11	JINPF38000411	送料摆杆座	Reed driving rocker	1
12	JINPF38000412	送料摆杆座销左销	Hinge pin	1
13	JINPF6150227	送料摆杆座销左销螺钉	Screw	1
14	JINPF38000414	送料摆杆座销右销	Hinge pin	1
15	JINPF555022	送料摆杆座销右销螺钉	Screw	1
16	JINPF38000416	送料摆杆销	Hinge pin	1
17	JINPF38000417	送料摆杆销螺钉	Screw	2
18	JINPF38000418	送料曲柄轴位螺钉	Hinge screw	1
19	JINPF5550651	送料曲柄轴位螺母	Nut	1
20	JINPF38000420	送料曲柄	Feed rocker shaft crank	1
21	JINPF5550621	送料曲柄螺钉	Screw	1
22	JINPF38000422	送料轴	Feed rocket	1
23	JINPF38000423	送料轴薄挡圈	Thrust collar	1
24	JINPF5550511	送料轴薄挡圈螺钉	Screw	2
25	JINSCJ1036	送料轴轴用挡圈	Retaining ring	1
26	JINPF38000426	送料轴后轴套	Bushing	1
27	JINPF555029	送料轴后轴套螺钉	Screw	1
28	JINPF5550653	送料轴挡圈	Thrust collar	1
29	JINPF555027	送料轴挡圈螺钉	Screw	2
30	JINPF38000430	送料轴前轴套	Bushing	1
31	JINPF38000431	牙架座	Feed rocker	1
32	JINPF38000432	牙架座螺钉	Screw	1
33	JINPF5550630	牙架座螺钉垫圈	Washer	1
34	JINPF38000434	牙架座螺钉螺母	Nut	1
35	JINPF38000435	牙架	Feed bar	1
36	JINPF38000436	牙架销	Peed bar shaft	1
37	JINPF555049	牙架销螺钉	Screw	2
38	JINPF5550627	牙架销油线	Oil wick	1
39	JINPF38000439	送料牙 (1/4")	Reed dog	1
40	JINPF5550630	送料牙垫圈	Washer	1
41	JINPF615067	送料牙螺钉	Screw	1
42	JINPF38000442	针板 (1/4")	Throat plate	1
43	JINPF5550637	针板螺钉	Screw	2
44	JINPF38000444	抬牙大连杆	Feed driving shaaft conoccting rod	1
45	JINPF38000445	抬牙连杆凸轮盖	Feed driving eccentric thrust washer	1
46	JINPF38000446	抬牙连杆凸轮盖螺钉	Screw	2
47	JINPF38000447	抬牙后曲柄	Feed driving shaft crank rear	1
48	JINPF38000418	抬牙连杆轴位螺钉	Hinge screw	1
49	JINPF5550651	抬牙连杆轴位螺母	Nut	1
50	JINPF5550621	抬牙后曲柄紧固螺钉	Screw	1
51	JINPF38000451	抬牙轴	Feed driving shaft	1
52	JINPF5550627	抬牙轴油线	Oil wick	1
53	JINPF38000426	抬牙轴后轴套	Bushing	1
54	JINPF5550615	抬牙轴后轴套螺钉	Screw	1

5. 送料分组件 (2) / Feed mechanism components (2)



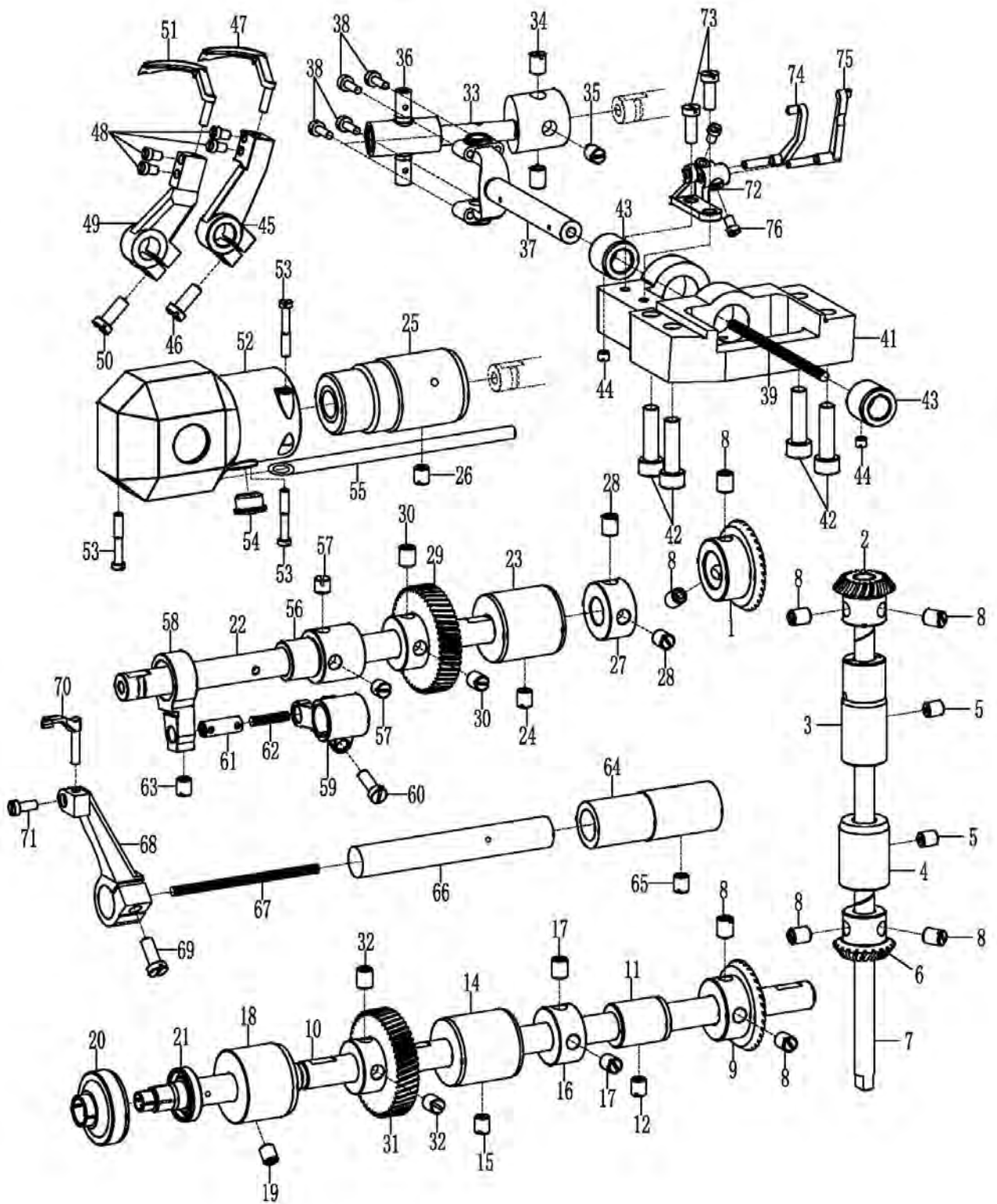
序号 Ref. NO	件号 Part NO	名称	Description	数量 QTY
55	JINPF38000207	抬牙轴后轴套挡圈	Thrust collar	1
56	JINPF555027	后轴套挡圈螺钉	Screw	2
57	JINPF38000457	抬牙轴中轴套	Bushing	1
58	JINPF5550227	抬牙轴中轴套螺钉	Screw	1
59	JINPF38000459	抬牙轴前轴套	Bushing	1
60	JINPF38000460	抬牙轴前曲柄	Feed rocker shaft crank	1
61	JINPF38000461	抬牙轴前曲柄螺钉	Screw	2
62	JINPF38000462	牙架连杆	Feed bar link	1
63	JINPF38000463	牙架连杆挡圈	Thrusi collar	1
64	JINPF5550511	牙架连杆挡圈螺钉	Screw	1
65	JINPF5550627	牙架连杆油线	Oil wick	1
66	JINPF38000466	牙架连杆锥孔垫圈	Countersunk washer	1
67	JINPF38000467	牙架连杆垫圈螺钉	Screw	1
68	JINPF38000468	牙架销垫片	Washer	1

6. 送料调节分组件 / Feed regulating components



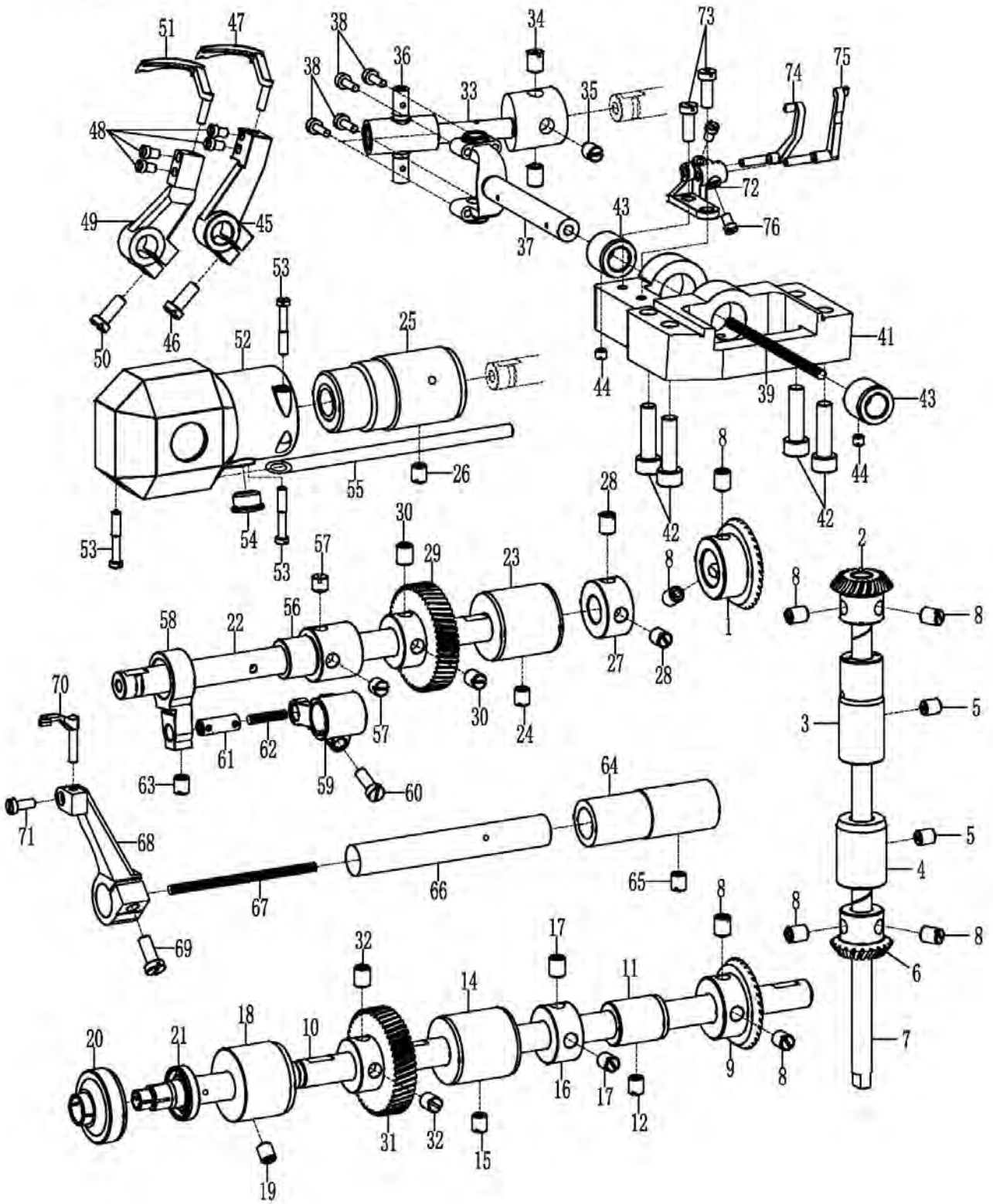
序号 Ref. NO	件号 Part NO	名称	Description	数量 QTY
1	JINPF38000501Q	送料距旋钮部件	Stitch dial asm	1
2	JINPF555072	送料距旋钮螺钉	Screw	1
3	JINPF38000503	送料调节螺柱	Feed regulating screw	1
4	JINPF38000504	送料调节螺柱O形圈	O-Rubber ring	1
5	JINPF38000505	送料距锁合销	Stitch dial lock pin	1
6	JINPF555076	送料距锁合销簧	Stitch dial lock spring	1
7	JINPF38000507	送料调节器	Feed regulator	1
8	JINPF38000508	送料调节器销	Hinge pin	1
9	JINPF5550330	送料调节器销螺钉	Screw	1
10	JINPF38000510	送料调节器连杆	Feed regulator connecting rod	1
11	JINPF38000511	调节器连杆轴位螺钉	Hingr screw	1
12	JINPF38000512	调节器连杆轴位螺母	Nut	1
13	JINPF38000513	拉簧调节曲柄销	Tension spring suspension stud	1
14	JINPF5550633	拉簧调节曲柄销螺钉	Screw	1
15	JINPF38000515	拉簧调节曲柄	Tension spring suspension crank	1
16	JINPF5550648	调节曲柄紧固螺钉	Screw	1
17	JINPF5550330	调节曲柄定位螺钉	Screw	1
18	JINPF38000518	倒送料轴拉簧	Tension spring	1
19	JINPF38000519	拉簧固定板	Suspension bracket	1
20	JINPF6150107	拉簧固定板螺钉	Screw	1
21	JINPR3800DP0521	倒送料轴	Reverse feed control kver shaft	1
22	JINPF6150624	倒送料轴O形圈	O-Rubber ring	1
23	JINSCJ3028	倒送料轴弹性垫圈	Waved washer	1
24	JINPR3800DP0524	倒送料扳手	Reverse feed control tever	1
25	JINPF5550718	倒送料扳手定位螺钉	Screw	1
26	JINPF5550719	倒送料扳手螺钉	Screw	1
29	JINPF38000529	倒送料挡块螺杆	Screw	1
30	JINPF38000542	倒送料轴轴套	Bushing	1
31	JINPF38000531	挡块螺杆螺母	Nut	1
32	JINPF38000532	倒送料挡块	Lever stopper	1
33	JINPF38000533	倒送料挡块螺钉	Screw	1
34	JINPF38000534	倒送料挡块橡胶垫	Rubber cushion	1
35	JINPF38000535	倒送料曲柄	Conirol lever crank rear	1
36	JINPF5550615	倒送料曲柄定位螺钉	Screw	1
37	JINPF5550648	倒送料曲柄螺钉	Screw	1
38	JINPF38000538	倒送料连杆	Rccd driving rocker arm connecting	1
39	JINPF38000539	倒送料连杆轴位螺钉	Screw	1
40	JINPF38000540	倒送料连杆轴位垫圈	Washer	1
41	JINPF38000512	倒送料连杆轴位螺母	Nut	1

7. 弯针勾线分组件 (1) / Looper thread retainer components (1)



序号 Ref. NO	件号 Part NO	名称	Description	数量 QTY
1	JINPF380006011	上轴伞齿轮	Gear asm	1
2	JINPF380006021	竖轴上伞齿轮	Gear asm	1
3	JINPF38000603	竖轴上轴套	Bushing	1
4	JINPF5550521	竖轴下轴套部件	Bushing	1
5	JINPF5550227	竖轴轴套螺钉	Screw	2
6	JINPF380006061	竖轴下伞齿轮	Gear asm	1
7	JINPF38000607	竖轴	Uprighu shaft	1
8	JINPF555047	伞齿轮螺钉	Screw	8
9	JINPF380006091	下轴伞齿轮	Gear asm	1
10	JINPF38000610	下轴伞齿轮	Lower shaft	1
11	JINPF38000611	下轴后轴套	Bushing	1
12	JINPF5550227	下轴后轴套螺钉	Screw	1
14	JINPF38000614	下轴中轴套部件	Bushing	1
15	JINPF5550227	下轴中轴套螺钉	Screw	1
16	JINPF38000616	下轴挡圈	Thrust collar	1
17	JINPF555047	下轴挡圈螺钉	Screw	2
18	JINPF38000618	下轴轴套部件	Bushing	1
19	JINPF5550227	下轴轴套螺钉	Screw	1
20	JINPF38000620	下轴前轴套油封套	Looper thread guard bushing	1
21	JINPF38000621	下轴前轴套油封	Oil seal	1
22	JINPF38000622	弯针轴	Looper rocker shaft	1
23	JINPF38000614	弯针轴后轴套部件	Bushing	1
24	JINPF5550227	弯针轴后轴套螺钉	Screw	1
25	JINPF38000625	弯针轴前轴套部件	Bushing	1
26	JINPF5550227	弯针轴前轴套螺钉	Screw	1
27	JINPF38000616	弯针轴挡圈	Thrust collar	1
28	JINPF555047	弯针轴挡圈螺钉	Screw	2
29	JINPF380006291	主动弯针齿轮	Gear asm	1
30	JINPF555047	主动弯针齿轮螺钉	Screw	2
31	JINPF380006311	被动弯针齿轮	Gear asm	1
32	JINPF555047	被动弯针齿轮螺钉	Screw	2
33	JINPF38000633	弯针曲柄	Looper crank asm	1
34	JINPF555047	弯针曲柄螺钉	Screw	2
35	JINPF38000635	弯针曲柄调节螺钉	Screw	1
36	JINPF38000636	弯针十字接头部件	Trunnion asm	1
37	JINPF38000637	弯针摆轴部件	Looper nKker shaft asm	1
38	JINPF555049	弯针摆轴盖螺丝钉	Screw	4
39	JINPF38000639	弯针摆轴油线	Oil wick	1
41	JINPF38000641	弯针架座	Looper mounting base	1
42	JINPF38000642	弯针架座螺钉	Screw	4
43	JINPF38000643	弯针摆轴轴套	Bushing	2
44	JINPF5550511	弯针摆轴轴套螺钉	Screw	2
45	JINPF38000645	左弯针曲柄	Looper holder asm (left)	1
46	JINPF5550648	左弯针曲柄螺钉	Screw	1
47	JINPF38000647	左弯针	Looper (left)	1
48	JINPF2052106	弯针螺钉	Screw	2
49	JINPF38000649	右弯针曲柄	Looper holder asm (right)	1
50	JINPF5550648	右弯针曲柄螺钉	Screw	1
51	JINPF38000651	右弯针	Looper (right)	1
52	JINPF38000652	弯针曲柄罩壳部件	Crank cover asm	1
53	JINPF38000653	曲柄罩壳螺钉	Screw	3
54	JINPF6150104	曲柄罩壳孔塞	Rubber plug	1
55	JINPF38000655	曲柄罩壳排油管	VinyJ mhe	1
56	JINPF38000656	护针凸轮	Needle giuird crank asm	1

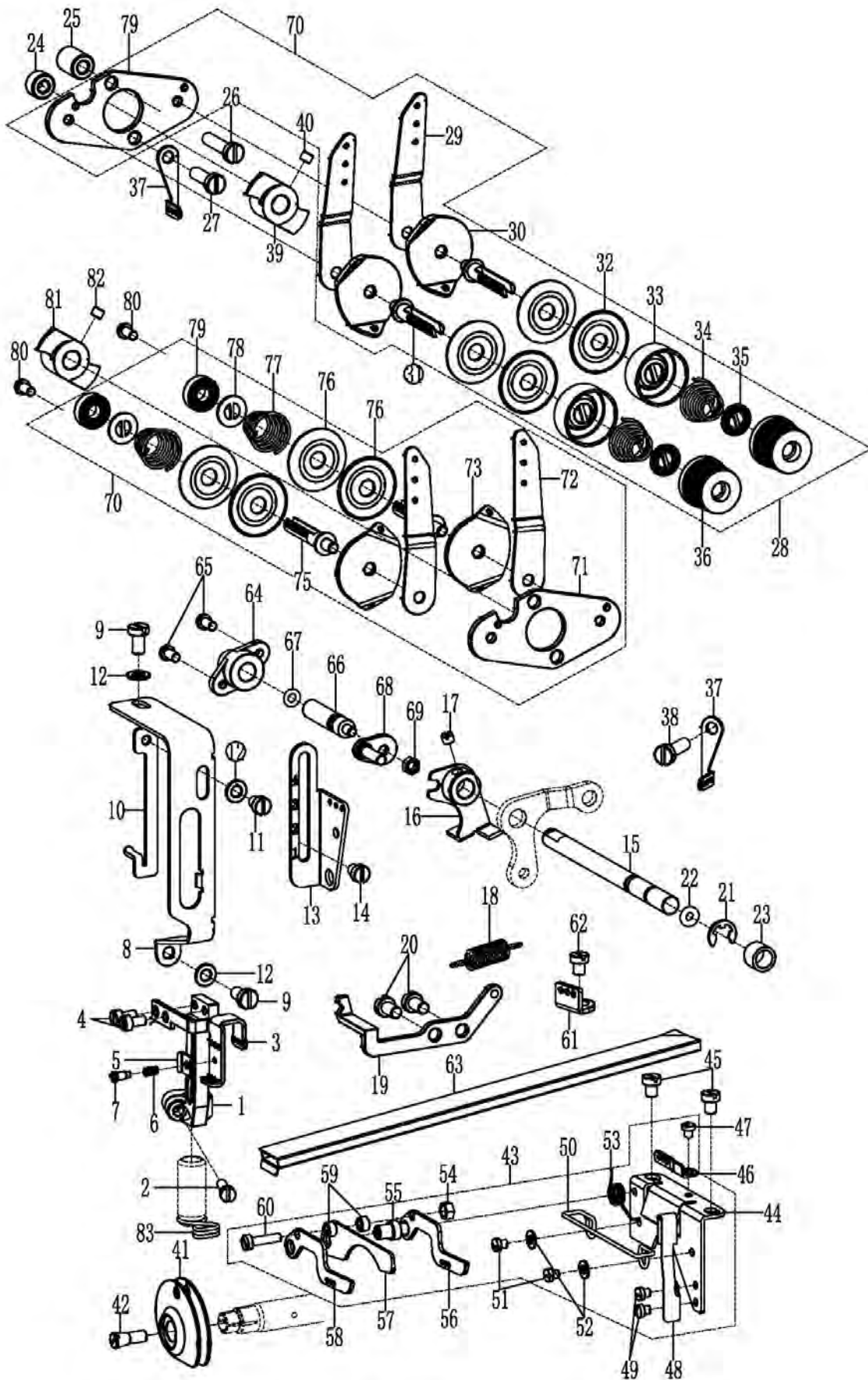
8. 弯针勾线分组件 (2) / Looper thread retainer components (2)



序号 Ref. NO	件号 Part NO	名称	Description	数量 QTY
57	JINPF555027	护针凸轮螺钉	Screw	2
58	JINPF38000658	护针连杆	Needle guard crank rod	1
59	JINPF38000659	护针叉形曲柄	Rear needle guard rocker fori	1
60	JINPF6150517	护针叉形曲柄螺丝	Screw	1
61	JINPF38000661	护针曲柄销	Pin	1
62	JINPF5550627	护针曲柄销油线	Oil wick	1
63	JINPF5550511	护针曲柄销螺钉	Screw	1
64	JINPF38000664	护针轴套	Bushing	1
65	JINPF5550615	护针轴套螺钉	Screw	1
66	JINPF38000666	护针轴	Needle guard driving shaft asm	1
67	JINPF38000667	护针轴油线	Oil wick	1
68	JINPF38000668	护针轴曲柄	Rear needle guard rocker arm asm	1
69	JINPF5550648	护针轴曲柄螺丝	Screw	1
70	JINPF38000670	摆动护针 (1/4")	Driving needle guard(1/4")	1
71	JINPF555049	摆动护针杆螺丝	Screw	1
72	JINPF38000672	护针杆座	Needle guard base	1
73	JINPF6150420	护针杆座螺钉	Screw	2
74	JINPF38000674	左固定护针杆	Counter needle guard	1
75	JINPF38000675	右固定护针杆	Counter needle guard	1
76	JINPF68425E28	左右固定护针杆螺钉	Screw	2

9. 挑线、松线、夹线分组件 (1)/

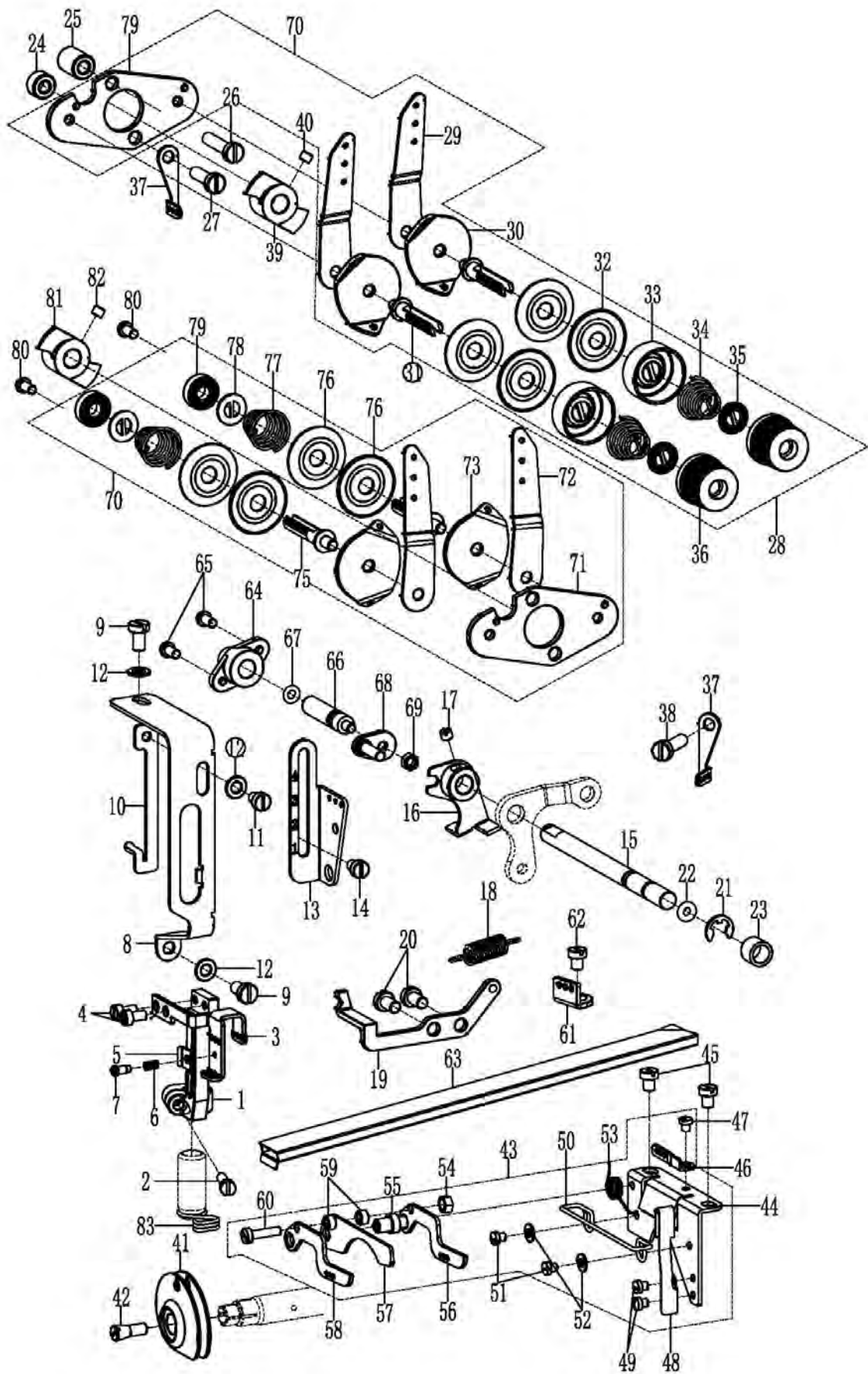
Thread take-up, tension, and tension releasing assembly components (1)



序号 Ref. NO	件号 Part NO	名称	Description	数量 QTY
1	JINPF38000701	挑线连杆	Thread take-up lever	1
2	JINPF38000702	挑线连杆螺钉	Screw	1
3	JINPF38000703	挑线杆	Thread take-up	1
4	JINPF555034	挑线杆紧固螺钉	Screw	2
5	JINPF38000705	挑线杆夹线板	Tension plate	1
6	JINPF38000706	挑线杆夹线簧	Tension spring	1
7	JINPF38000707	挑线杆夹线板轴螺钉	Screw	1
8	JINPF38000708L	挑线杆护罩	Thread take-up lever guard	1
9	JINPF5550230	挑线杆护罩螺钉	Screw	2
10	JINPF38000710	线量调节板	Take-up thread tension lever	1
11	JINPF5550725	线量调节板螺钉	Screw	1
12	JINBF700W1301	调节板螺钉垫圈	Washer	3
13	JINPF38000713	中间导线钩	frame thread eyelet	1
14	JINPF5550725	中间导线钩螺钉	Screw	1
15	JINPR3800DP0715	松线轴	Tension release shaft	1
16	JINPF38000716	面线松线曲柄部件	Tension release arm asm	1
17	JINPF5550725	面线松线曲柄螺钉	Screw	1
18	JINPF38000718	抬压脚后杠杆弹簧	Spring	1
19	JINPF38000719	后杠杆弹簧固定板	Suspension bracket	1
20	JINPF5550317	后杠杆弹簧固定板螺钉	Screw	2
21	JINSCJ1010	松线轴挡圈	Snap ring	1
22	JINBF889204185	松线轴油封	O-Rubber ring	1
23	JINPF38000723	松线轴环	Tension release shaft spacer	1
24	JINPF38000724	夹线器下安装垫	Spaced(A) for installing plate	1
25	JINPF38000725	夹线器上安装垫	Spaced(B) for installing plate	1
26	JINPF38000726	夹线器上安装垫螺钉	Screw	1
27	JINPF38000727	夹线器下安装垫螺钉	Screw	1
28	JINPR3820DP0728	面线夹线器部件	Needle thread tension asm	1
29	JINPF38000729	面线单面导线板	Needle thread tension guide plate	1
30	JINPF38000730	面线双线导线板	Tension thread guide	2
31	JINPF38000731	夹线螺钉	Looper Umrad tendon posi	2
32	JINPF38000732	面线夹线板	Tension disc	4
33	JINPF38000733	面线松线座	Tension disc presser tube	2
34	JINPF38000734	面线夹线簧	Tension spring	2
35	JINPF38000735	面线止动板	Tension disc stopper	2
36	JINPF38000736	面线夹线螺母部件	Tension nut	2
37	JINPF38000737	导线钩	Frame thread guide	2
38	JINPF5550725	导线钩螺钉	Screw	1
39	JINPF38000739	面线松线爪	Tension release latch	1
40	JINPF5550725	面线松线爪螺钉	Screw	1
41	JINPF38000749	底线打线凸轮	Looper thread take-up cam	1
42	JINPF38000750	底线打线凸轮定位螺钉	Screw	1
43	JINPF38000751	凸轮导线钩部分	Looper thread guide asm	1
44	JINPF38000752	凸轮导线架	Thread guide plate	1
45	JINPF5550725	凸轮导线架螺钉	Screw	2
46	JINPF38000754	底线双线导线钩	Looper thread guide	1
47	JINPF38000755	底线双线导线钩螺钉	Screw	1
48	JINPF38000756	底线导线止动簧	Thread guide stopper spring	1

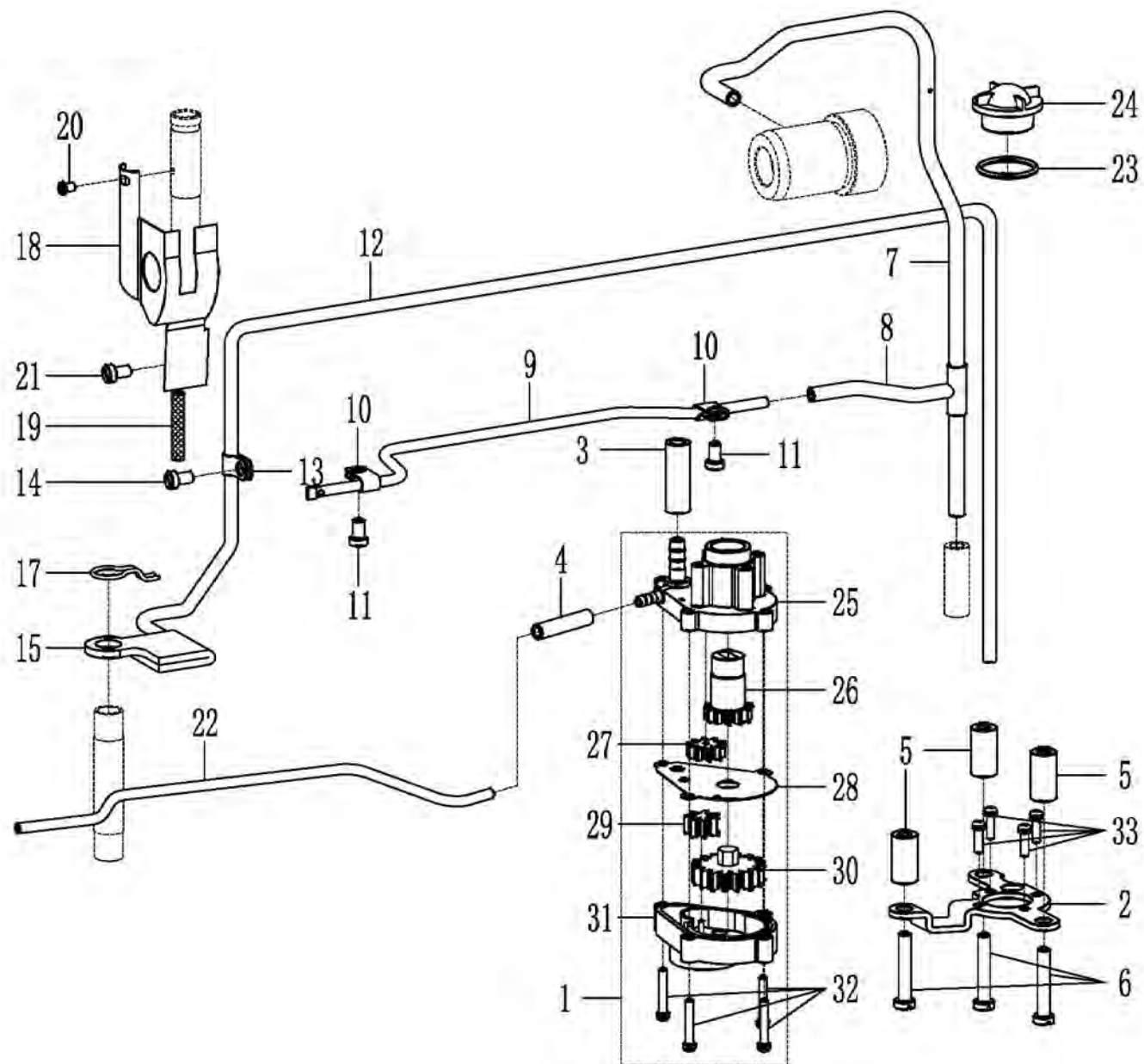
10. 挑线、松线、夹线分组件 (2) /

Thread take-up, tension, and tension releasing assembly components (2)



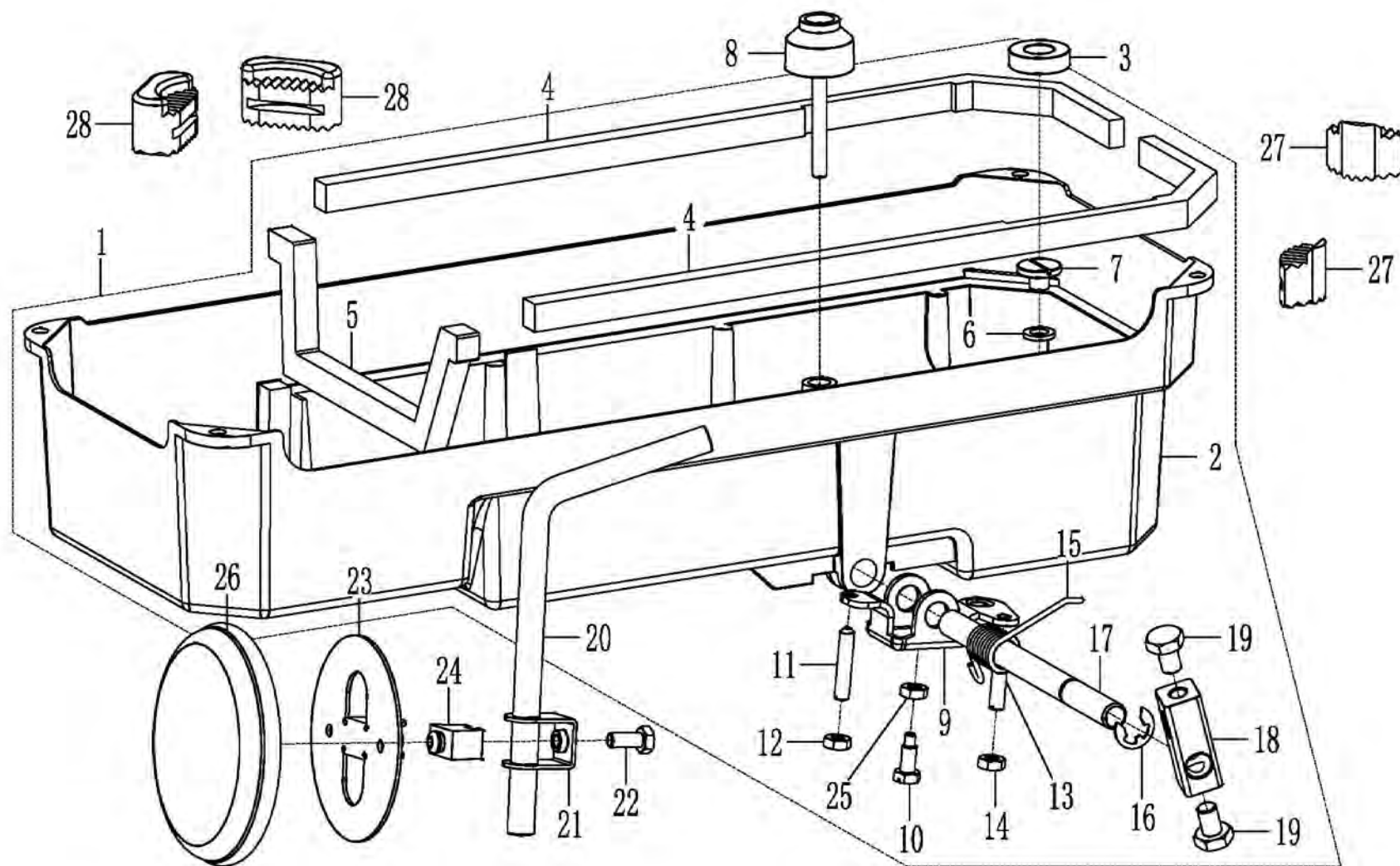
序号 Ref. NO	件号 Part NO	名称	Description	数量 QTY
49	JINPF38000757	底线导线止动簧螺钉	Screw	2
50	JINPF38000758	底线脱线钢丝	Cast-off wire	1
51	JINPF38000759	底线脱线钢丝螺钉	Screw	2
52	JINPF38000760	底线脱线钢丝螺钉垫圈	Washer	2
53	JINPF38000761	底线导线簧	Thread guide spring	1
54	JINPF38000762	凸轮过线螺钉螺母	Nut	1
55	JINPF38000763	凸轮过线螺钉	Thread guide stud	1
56	JINPF38000764	凸轮导线钩(右)	Looper thread guide	1
57	JINPF38000765	凸轮脱线爪	Castoff plate	1
58	JINPF38000766	凸轮导线钩(左)	Looper thread guide	1
59	JINPF38000767	凸轮导线环	Collar	2
60	JINPF38000768	凸轮导线钩螺钉	Screw	1
61	JINPF38000769	底线导线钩	Looper thread guide	1
62	JINPF5550725	底线导线钩螺钉	Screw	1
63	JINPF38000771	底线导线管	Looper thread guide tube	1
64	JINPF38000772	松线轴套	Tension release shaft bushing	1
65	JINPF38000773	松线轴套螺钉	Screw	2
66	JINPF38000774	底线松线轴	Looper ihread release shaft	1
67	JINPF5550416	底线松线轴O型圈	O-Rubbcr ring	1
68	JINPF38000776	底线松线轴曲柄部件	Tension release arm asm	1
69	JINPF38000777	底线松线轴螺母	Nut	1
70	JINPF38000778	底线夹线器部件	Lower thread tension asm	1
71	JINPF38000779	夹线器安装板	Tension installing plaie	2
72	JINPF38000780	底线单面导线板	Looper thread tension control plat	2
73	JINPF38000781	底板双面导线板	Thread guide	2
74	JINPF38000782	底线夹线板止转销	Spring pin	2
75	JINPF38000783	夹线螺钉	Screw	2
76	JINPF38000784	底线夹线板止转销	Tension disc	4
77	JINPF38000785	底线夹线簧	Looper ihread tension spring	2
78	JINPF38000786	底线夹线止转圈	Tension spring bushing	2
79	JINPF38000787	底线夹线螺母	Nut	2
80	JINPF5550725	夹线器安装板螺钉	Screw	2
81	JINPF38000789	底线松线爪	Looper thread release latch	1
82	JINPF5550725	底线松线爪螺钉	Screw	1
83	JINPF38000791	小线钩	Small thread guage	1

11. 润滑分组件 / Lubrication



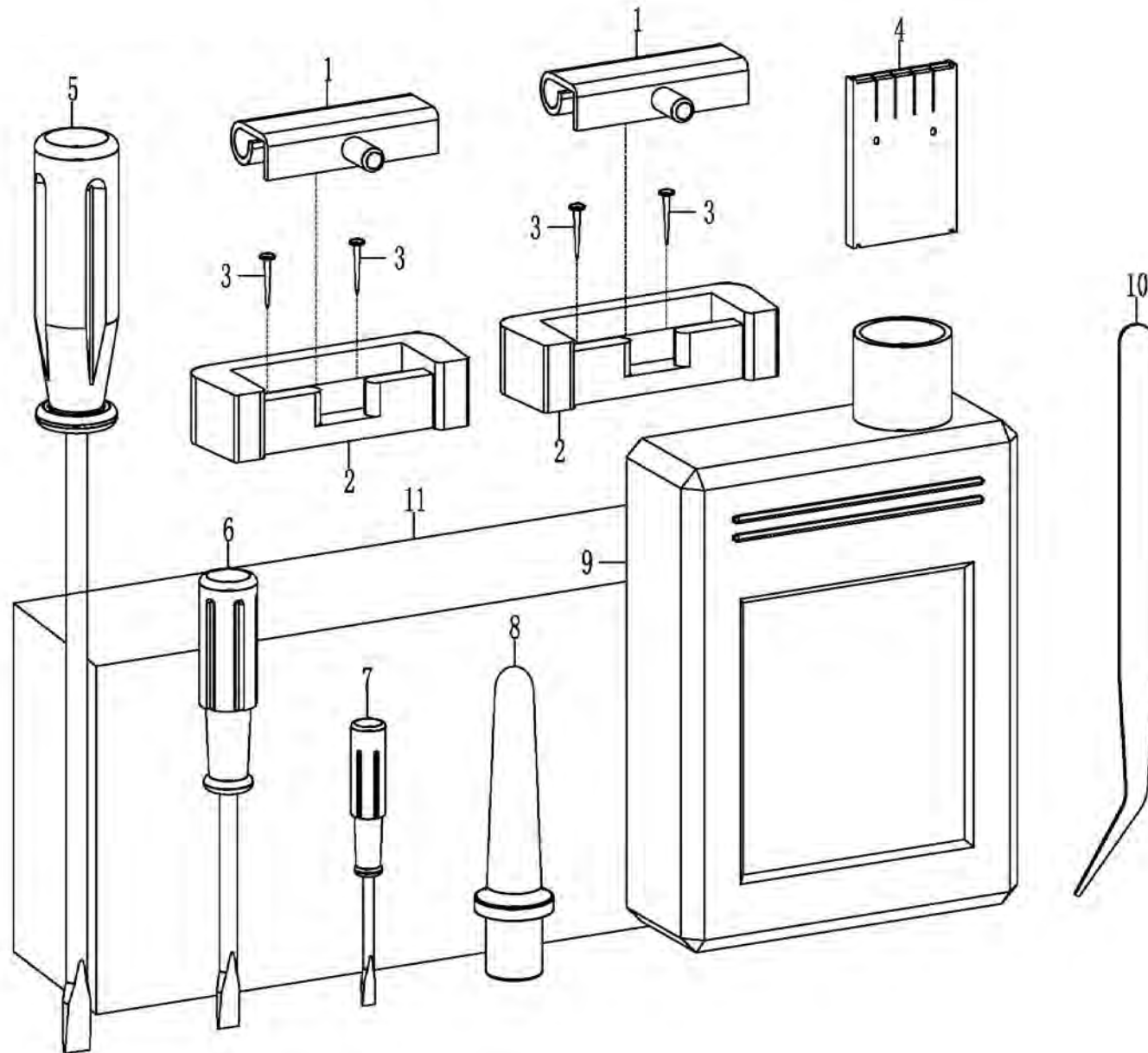
序号 Ref. NO	件号 Part NO	名称	Description	数量 QTY
1	JINPF38000801	油泵部件	Lubricating oil pump asm	1
2	JINPF38000802	油泵安装板	Oil pump installing base	1
3	JINPF38000811	上轴供油管接头	Rubber joint	1
4	JINPF38000812	下轴供油管接头	Rubber joint	1
5	JINPF38000813	油泵垫圈	Collar	3
6	JINPF38000814	油泵螺钉	Screw	3
7	JINPF38000815	上轴供油管	Main shaft oil tube	1
8	JINPF38000818	齿轮供油管橡皮接头	Oil sight window base	1
9	JINPF38000819	齿轮供油管	Gear oil pipe	1
10	JINPF5550827	齿轮供油管夹	Holder	5
11	JINPF5550633	齿轮供油管夹螺钉	Screw	2
12	JINBF31016255039	上轴回油管	Oil return tube asm	1
13	JINPF5550827	回油管夹	Oil return tube holder	1
14	JINPF5550633	回油管夹螺钉	Screw	1
15	JINPF5550830	回油除尘毡	Oil felt	1
17	JINPF5550831	回油毡夹	Oil felt presser	1
18	JINPF38000829	面部挡油板	Arm oil shield	1
19	JINPF5550627	面部挡油板油线	Oil wick	1
20	JINPF5550834	面部挡油板上螺钉	Screw	1
21	JINPF5550725	面部挡油板下螺钉	Screw	1
22	JINPF38000833	下供油管	Oil tube	1
23	JINPF5550825	油窗O形圈	O-Rubber ring	1
24	JINPF5550824	油窗O形圈	Oil singhl window	1
25	JINPF38000806	油泵壳体	Oil pump housing	1
26	JINPF38000836	齿轮	Gear	1
27	JINPF38000837	齿轮	Gear	1
28	JINPF38000808	齿轮油泵齿轮托板	Oil pump gear support plate	1
29	JINPF38000838	齿轮	Gear	1
30	JINPF38000839	齿轮	Gear	1
31	JINPF38000809	油泵盖	Oil pump cover	1
32	JINPF38000810	油泵盖螺钉	Screw	3
33	JINPF38000803	油泵安装螺钉	Screw	4

12. 油盘、膝抬压脚分组件 / Oil reservoir & knee lifter components



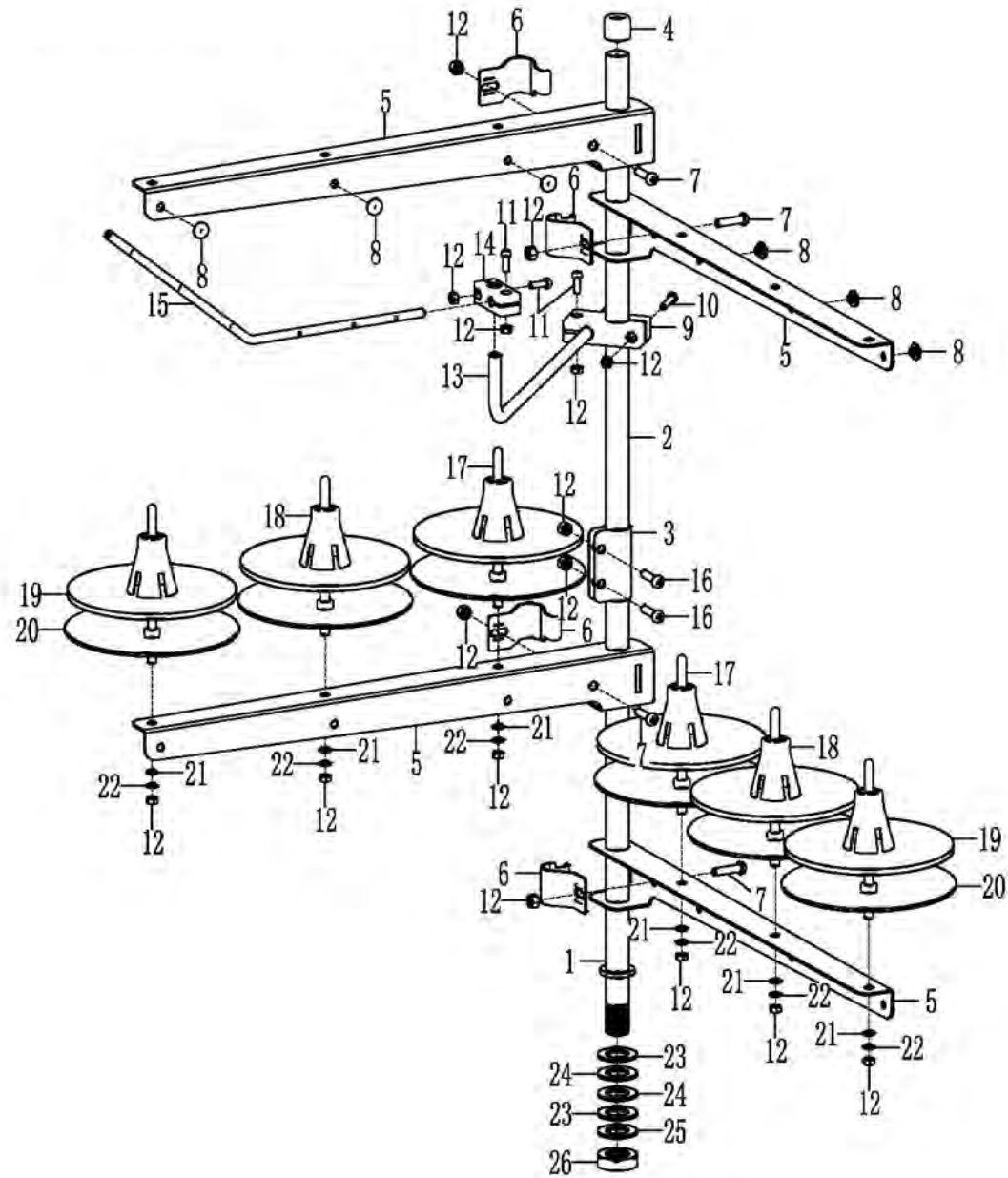
序号 Ref. NO	件号 Part NO	名称	Description	数量 QTY
1	JINPF38000901	油盘部件	Oil reservoir asm	1
2	JINPF38000902	油盘	Oil reservoir	1
3	JINSCJ6051	油盘磁铁	Oil Ttservoir magnet	1
4	JINPF38000904	油盘侧面垫	Gasket	1
5	JINPF38000905	油盘端面垫	Gasket	2
6	JINPF555096	排油螺钉O形圈	O-Rubber ring	1
7	JINPF852095	排油螺钉	Screw	1
8	JINPF38000912	胎压脚顶销	Knee press lifter rod	1
9	JINPF38000909	抬压脚双向曲柄	Lining	1
10	JINPF5550913	双向曲柄螺钉	Screw	1
11	JINPF5550914	双向曲柄限位螺钉	Screw	1
12	JINPF5550915	双向曲柄限位螺母	Nut	1
13	JINPF5550914	双向曲柄调节螺钉	Screw	1
14	JINPF5550915	双向曲柄调节螺母	Nut	1
15	JINPF38000915	双向曲柄扭簧	Spring	1
16	JINSCJ1037	抬压脚轴开口挡圈	Thnisi ring	1
17	JINPF38000921	抬压脚轴	Knee press rod	1
18	JINPF5550919	抬压脚操纵杆节头	Bearing bracket	1
19	JINPF5550920	操纵杆节头螺钉	Screw	2
20	JINPF5550922	操纵杆	Knee lifter plate rod	1
21	JINPF5550926	操纵板节头	Knee predd plate cover joini	1
22	JINPF5550927	操纵板节头螺钉	Screw	1
23	JINPF5550923	操纵板	Knee press plate	1
24	JINPF38000924	操纵板簧	Knee press plate spring	1
25	JINPF38000925	双向曲柄螺母螺钉	Nut	1
26	JINPF5550924	操纵板软垫	Knee press plate cover	1
27	JINPF555098	小防震垫	Small rubber cushion	2
28	JINPF555099	大防震垫	Big rubber cushion	2

13. 机头附件 / Machine head accessories



序号 Ref. NO	件号 Part NO	名称	Description	数量 QTY
1	JINPF5550101	机头连接钩部件	Machine hinge plate asm	2
2	JINPF5550102	机头连接钩座	Machine hinge plaie	2
3	JINPFQ61305	机头连接钩座钉	Nail	4
4	JINPFDTW716	机针	Needle	1
5	JINPF55501016	螺丝刀 (大)	Screw driver (L)	2
6	JINPF55501017	螺丝刀 (中)	Screw driver (M)	1
7	JINPF55501018	螺丝刀 (小)	Screw driver (S)	1
8	JINPF55501021	机头支柱	Machine rcat pin	1
9	JINBF700192	油箱部件	Lubricating unit case asm	1
10	JINBF700M1916	镊子	Tweezers	1
11	JINPF03031040	机头罩	Macgube head cover	1
12	JINPF5550915	双向曲柄限位螺母	Nut	1

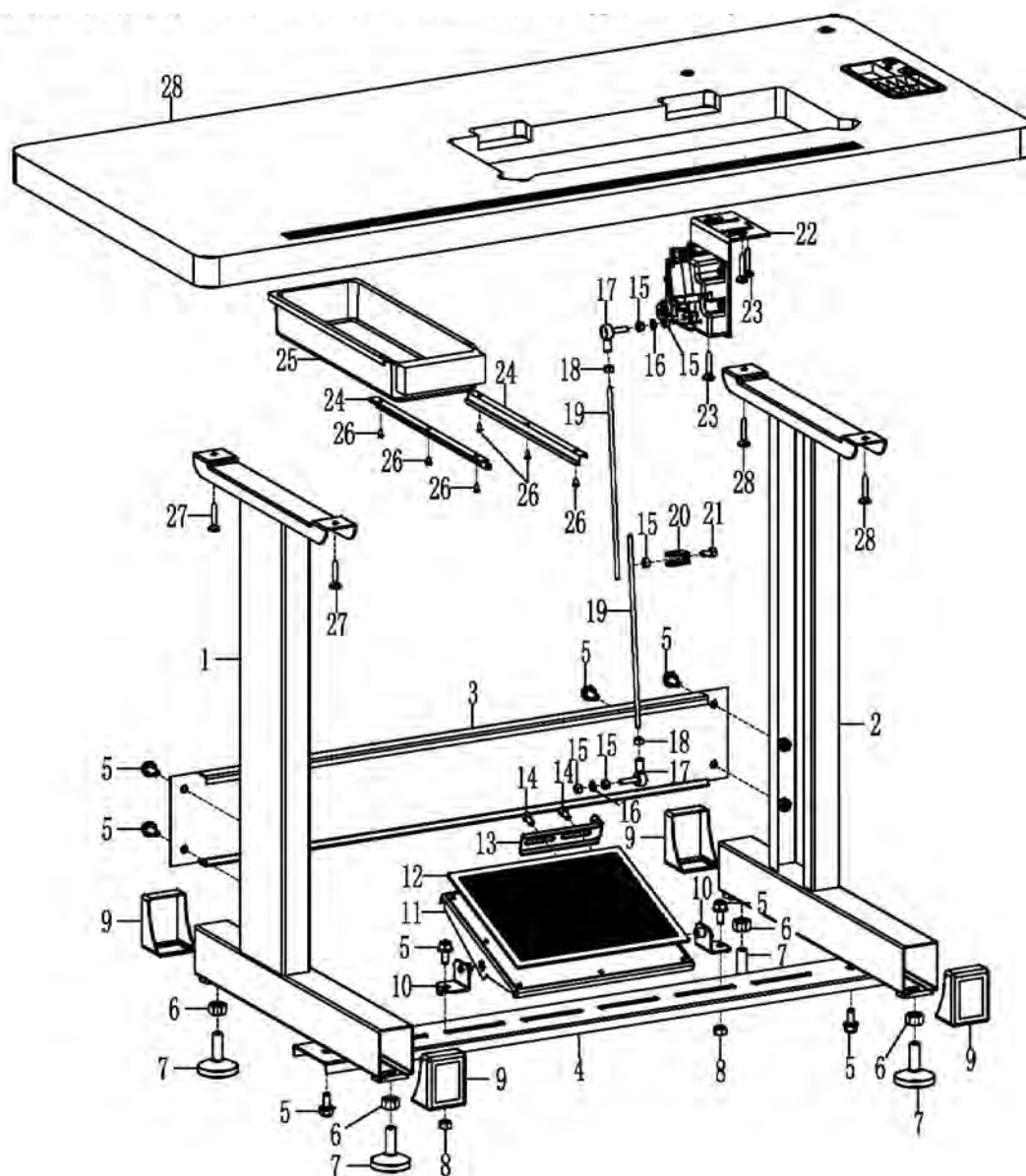
14. 过线架分组件 / Thread stand components



序号 Ref. NO	件号 Part NO	名称	Description	数量 QTY
1		线架杆下节	Spool reat rod (upper)	1
2		线架杆上节	Spool reat rod (lower)	1
3		线架杆接头	Spool rested joint	1
4		现价杆顶防护橡皮	Spool rest rod rubber cap	1
5		仙家过线杆	Thread guide asm	4
6		线架过线夹	Thread guide asm joint	4
7		线架过线夹螺钉	Screw	4
8		导线圈	Thread guide ring	4~6
9		线架导线杆夹	Thread guide arm holder	1
10		线架导线杆夹螺钉	Screw	1
11		线架导线杆夹螺钉	Screw	1
12		线架导线杆夹螺母	Nut	14~16
13		线架导线杆	Thread guide arm	1
14		线架导线杆过线夹	Thread guide arm holder	1
15		线架导线杆过线	Lower thread guide	1
16		线架导线杆过线夹螺钉	Screw	2
17		线盘钉	Spool pin	4~6
18		线团防松垫	Spool cushion	4~6
19		线盘软垫	Soft cushion of thread plare	4~6
20		线盘	Spool rest	4~6
21		线盘钉垫圈	Washer	4~6
22		线盘钉弹簧垫圈	Spring washer	4~6
23		线夹杆紧固垫圈套	Washer	2
24		线架杆防震橡胶垫圈	Rubber washer	2
25		线架杆紧固弹簧垫圈	Spring washer	1
26		线架杆紧固螺母	Nut	1
27	JINBF7004M17	四线线架组件	Thread stand ams	1
28	JINPF38006355XI	六线线架组件	Thread stand ams	1

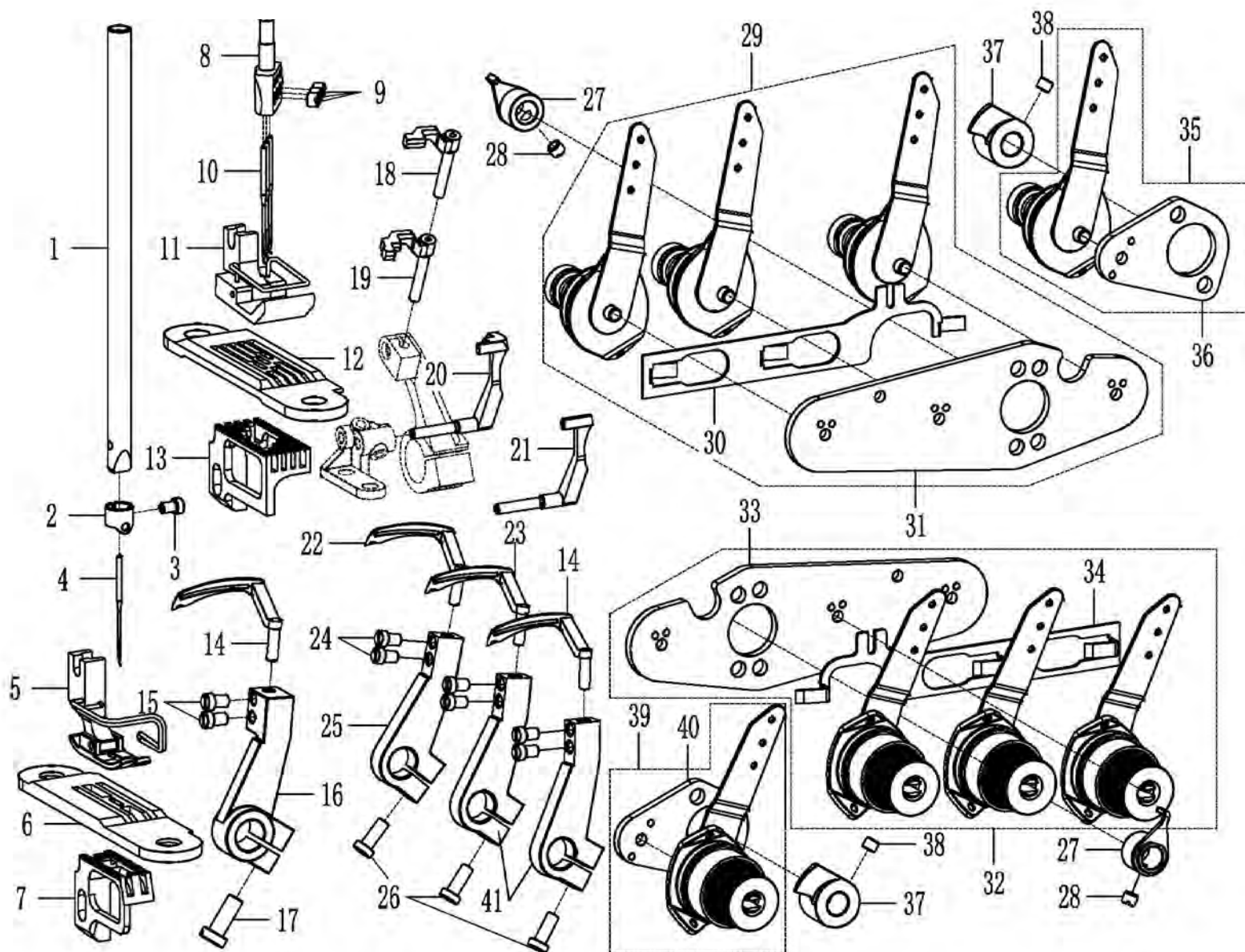
15. 机架、台板、电器分组件 /

Machine stand, table & electric appliance components



序号 Ref.NO	件号 Part NO	名称	Description	数量 QTY
1		边架部件 (左)	Stand side asm (left)	1
2		边架部件 (右)	Stand side asm (right)	1
3		横档	Stand side support	1
4		踏板轴档	Treadle brace	1
5		横档连接螺钉	Screw	8
6		调节螺母	Nut	4
7		调节座	Screw	4
8		踏板轴座螺母	Nut	2
9		边架座套	Rubber cushion	4
10		踏板轴座	Treadle bracket	2
11		踏板	Treadle	1
12		踏板垫	Gasket	1
13		踏板杠杆	Treadle pitman	1
14		踏板杠杆螺钉	Screw	2
15		脚踏开关拉杆螺母	Nut	5
16		脚踏开关拉杆弹簧垫圈	Spring washer	2
17		脚踏开关拉杆冠军球头	Joint bearing	2
18		脚踏开关拉杆关节球头螺母	Nut	2
19		脚踏开关拉杆	Pull rod	2
20		拉杆接头	Joint	1
21		拉杆接头螺钉	Screw	1
22	JIN12040018	脚踏开关组件	Pedal switch	1
23		自攻螺钉	Screw	3
24		抽斗导轨	Drawer rail	2
25		抽斗	Drawer	1
26		抽斗导轨自攻螺钉	Screw	6
27		台板自攻螺钉	Screw	4
28	JINPF9000TB02	台板组件	Table	1

16. 单针、三针专用部件 / Special parts for single needle and three needles

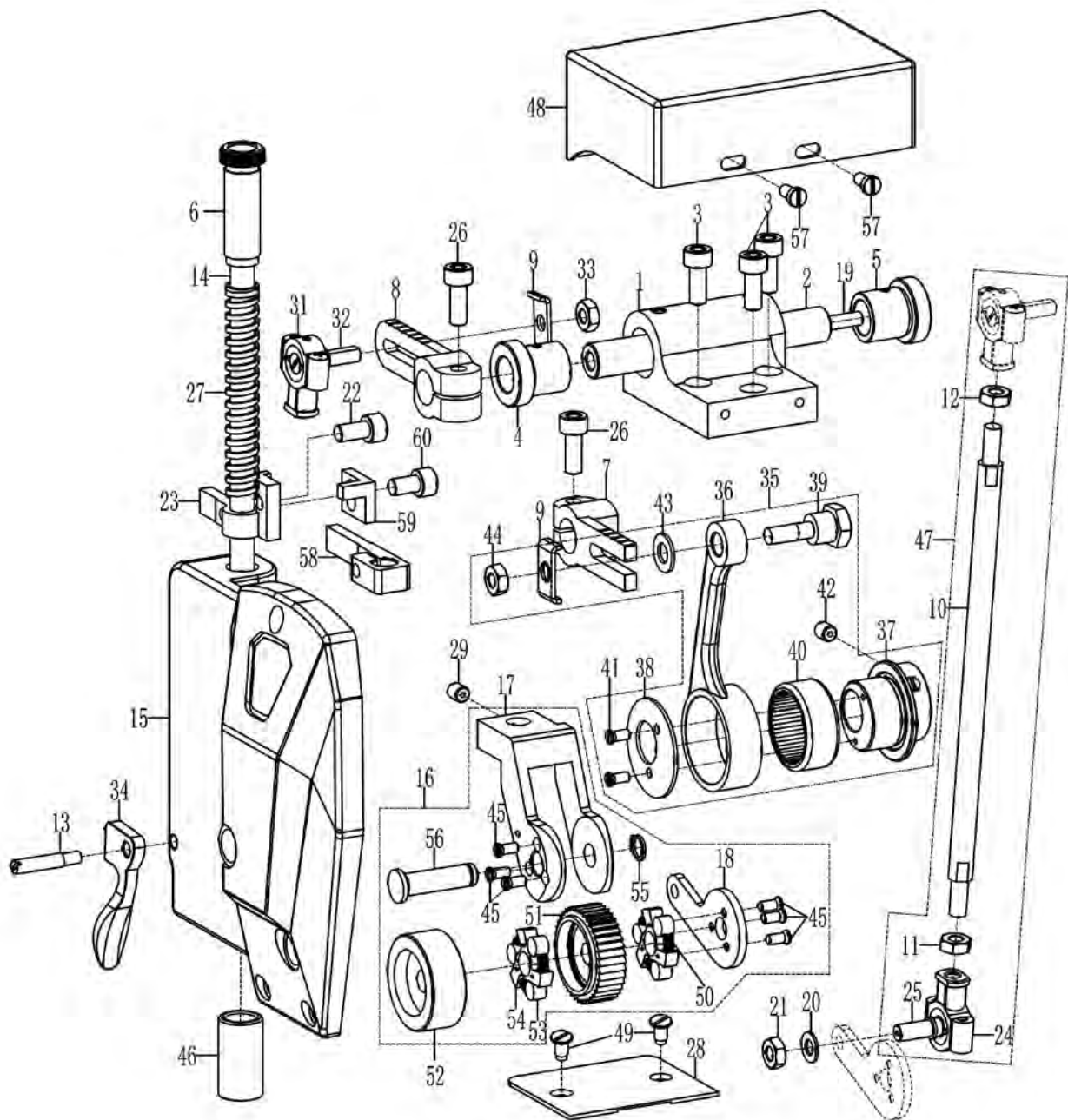


序号 Ref. NO	件号 Part NO	名称	Description	数量 QTY
1	JINPF5550H310	针杆	Needle bar	1
2	JINPF5550311	针杆线钩	Small thread guage	1
3	JINPF5550312	机针螺钉	Screw	1
4	JINPFDTTV716	机针	Needle	1
5	JINPF48100310	压脚组件	Presser foot asm	1
6	JINPF48100442	针板	Throat plate	1
7	JINPF48100439	送料牙	Reed dog	1
8	JINPF3830023501	针夹(斜三针)	Needle clamp	1
9	JINPF5550340	支针螺钉	Screw	3
10	JINPFDTUY128GAS	多特机针	Needle	3
11	JINPF3830031001	压脚部件(斜三针)	Presser foot asm	1
12	JINPF3830044201	针板(斜三针)	Throat plate	1
13	JINPF3830043901	送料牙(斜三针)	Reed dog	1
14	JINPF38000647	左弯针	Looper (left)	1
15	JINPF2052106	弯针螺钉	Screw	2
16	JINPF38000645	左弯针曲柄	Looper holder asm (left)	1
17	JINPF5550648	左弯针曲柄螺钉	Screw	1
18	JINPF48100670	摆动护针杆	Counter needle guard	1
19	JINPF3830067001	摆动护针(1/4)斜三针	Counter needle guard	1
20	JINPF3830067401	左固定护针杆(斜三针)	Counter needle guard	1
21	JINPF48100674	固定护针杆	Counter needle guard	1
22	JINPF38000651	右弯针	Looper (middle)	2
23	JINPF38000647X	中弯针	Looper (middle)	1
24	JINPF2052106	左弯针曲柄螺钉	Screw	6
25	JINPF3830064502	中弯针曲柄	Looper holder asm (middle)	3
26	JINPF68425D22	中弯针曲柄螺钉	Screw	3
27	JINPF38300739	面线松线爪	Tension release latch	2
28	JINPF5550725	面线松线爪螺钉	Screw	2
29	JINPF38300778	底线夹线器部件	Lower thread tension asm	1
30	JINPF383007781	底线松线板	Thread releaser	1
31	JINPF383007782	底线夹线器板	Bracket	1
32	JINPF38300728	面线夹线器部件	Needle thread tension asm	1
33	JINPF383007282	面线夹线器板	Bracket	1
34	JINPF383007281	面线松线板	Thread releaser	1
35	JINPF48100728	面线夹线器	Needle thread tension asm	1
36	JINPF481007281	面线夹线器板	Bracket	1
37	JINPF48100789	面线松线爪	Tension release latch	2
38	JINPF5550725	面线松线爪螺钉	Screw	2
39	JINPF48100778	底线夹线器	Lower thread tension asm	1
40	JINPF481007781	底线夹线器板	Bracket	1
41	JINPF3830064501	弯针曲柄	Looper holder asm (middle)	2

17. 直驱拖轮的装置部分（装置不可后加装）（1）/

Direct drive tugboat components

(The device cannot be installed after installation)(1)

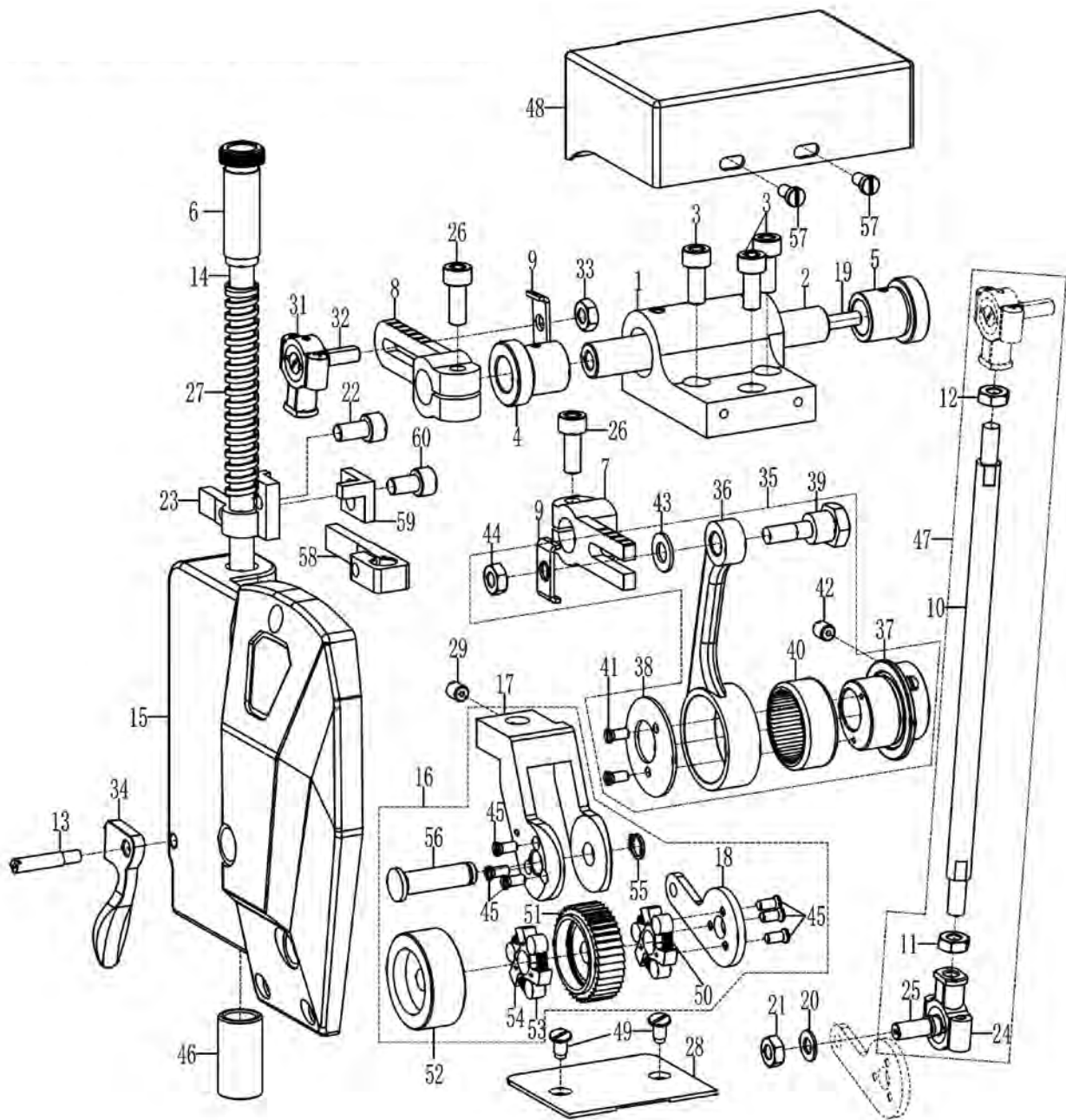


序号 Ref. NO	件号 Part NO	名称	Description	数量 QTY
1	J INPF38001501	拖轮安装座	Puller base	1
2	J INPF38001502	安装座短轴	Base short shaft	1
3	J INSCJ 2008	安装座螺钉	Screw	3
4	J INPF38001504	安装座轴套	Bushing	1
5	J INPF38001504	安装座轴套	Bushing	1
6	J INPF38001505	拖轮压杆调压螺母	Puller regulator nut	1
7	J INPF38001506	曲柄	Crank	1
8	J INPF38001507	曲柄	Crank	1
9	J INPF38001510	曲柄位置指示板	Crank indicating board	2
10	J INPF38001509	双头螺杆	Screw	1
11	J INPF38001511	双头螺杆M6螺母左旋	Nut	1
12	J INPF5550915	双头螺杆M7螺母右旋	Nut	1
13	J INPF38001512	拖轮升降扳手轴位螺钉	Puller adjustable bolt	1
14	J INPF38001514	拖轮压杆调压螺母	Puller compressive rod	1
15	PR3800DPPL0107L	拖轮面板	Puller board	1
16	J INPF38001517	拖轮组件（铁）	Puller component	1
	J INPF3800151701	拖轮组件（橡胶）	Puller component	1
17	J INPF38001518	拖轮支架	Puller support	1
18	J INPF38001519	拖轮驱动板	Puller driven board	1
19	J INPF5550627	油线	Oil wick	1
20	J INSCJ 3022	垫圈	Washer	1
21	J INPF3800152702	关节连杆螺母	Nut	1
22	J INSCJ 2007	拖轮导架螺钉	Screw	1
23	J INPF38001526	拖轮导架螺钉	Puller guide	1
24	J INPF38001527	铜连杆关节（左旋）	Copper bar joint	1
25	J INPF3800152701	关节连杆螺钉	Joint bar bolt	1
26	J INSCJ 2009	曲柄锁紧螺钉	Screw	2
27	J INPF38001528	拖轮压紧杆弹簧	Puller compressive bar spring	1
28	J INPF38001529	拖轮压板	Puller compressive board	1
29	J INSCJ 2033	拖轮支架紧定螺钉	Screw	1
31	J INPF38001534	铜连杆关节（右旋）	Copper bar joint	1
32	J INPF3800153401	关节连杆螺钉	Screw	1
33	J INPF3800153402	关节连杆螺母	Nut	1
34	J INPF38001536	拖轮扳手	Puller spanner	1
35	J INPF38001537	大连杆组件	Big bar component	1
36	J INPF3800153701	拖轮提升偏心凸轮大连杆	Puller lift camshaft big bar	1
37	J INPF3800153702	拖轮提升偏心凸轮	Puller lift camshaft	1
38	J INPF3800153703	偏心凸轮盖板	Camshaft cover	1
39	J INPF3800153704	大连杆轴位螺钉	Big bar bolt	1
40	J INPF3800153705	滚针轴承	Needle rolling bearing	1
41	J INPF3800153706	偏心凸轮盖板螺钉	Screw	2
42	J INPF555047	偏心凸轮紧定螺钉	Screw	2

18. 直驱拖轮的装置部分（装置不可后加装）（2）/












Direct drive tugboat components

(The device cannot be installed after installation)(2)



序号 Ref. NO	件号 Part NO	名称	Description	数量 QTY
43	J INPF3800153708	大连杆轴位螺钉垫片	Washer	1
44	J INPF3800153709	大连杆轴位螺钉螺母	Nut	1
45	J INPF38001545	拖轮组件安装螺钉	Screw	6
46	J INPF38001538	拖轮压杆套	Puller compressive bar sleeve	1
47	PR3800151103	双头螺杆组件	Big bar component	1
48	J INPF38001540	罩壳	Cover	1
49	J INPF5550637	压板螺钉	Screw	2
50	J INPF38001550	棘轮弹簧	Spring	6
51	J INPF38001543	拖布轮（铁）	Puller	1
52	J INPF38001544	拖布轮（橡胶）	Puller	1
53	J INPF38001553	滚柱	Pin	6
54	J INPF38001554	棘轮弹簧	Ratch	2
55	J INSCJ1034	轴环	Retaining ring	1
56	J INPF38001556	拖轮轴	Shaft	1
57	J INPF6150227	罩壳螺钉	Screw	2
58	J INPF38001558	压杆导架	Presser bar guide bracket asm	1
59	J INPF38001559	压杆导架联动支架	Bracket	1
60	J INPF6150227	压杆导架联动支架螺钉	Screw	2

19. 双针链缝机针位一览表 / List of accessories for double-needle chainstitcher

名称 Name	规格 Specification	针板 Throat	针夹 Needle clamp	压脚 Presserfoot asm	送布牙 Feed dog	摆动护针 Driving needle guard	右固定护针 Counter needle guard	左固定护针 Counter needle guard	右弯针 Right looper	左弯针 Left looper	推板 Bed slide	凸轮盖 Cam cover
												
1	1/8"(3.2mm)	JINPF3800044205	JINPF3800023505	JINPF380003105	JINPF3800043905	JINPF38000670	JINPF38000675	JINPF38000674	JINPF38000651	JINPF38000647	JINPF38000127	JINPF38000120
2	5/32"(4.0mm)	JINPF3800044210	JINPF3800023510	JINPF3800031010	JINPF3800043910							
3	3/16"(4.8mm)	JINPF3800044204	JINPF3800023504	JINPF3800031004	JINPF3800043904							
4	7/32"(5.6mm)	JINPF3800044203	JINPF3800023503	JINPF3800031003	JINPF3800043903							
5	1/4"(6.4mm)	JINPF38000442	JINPF38000235	JINPF38000310	JINPF38000439							
6	5/16"(7.9mm)	JINPF3800044206	JINPF3800023506	JINPF3800031006	JINPF3800043906							
7	3/8"(9.5mm)	JINPF3800044201	JINPF3800023501	JINPF3800031001	JINPF3800043901							
8	1/2"(12.7mm)	JINPF3800044208	JINPF3800023508	JINPF3800031008	JINPF3800043908						JINPF3800012702	JINPF3800012002
9	纵针 Tandem needle	JINPF38100442	JINPF38100235	JINPF38100310	JINPF38100439	JINPF38100670	JINPF38100674		JINPF38000127	JINPF38000120		