

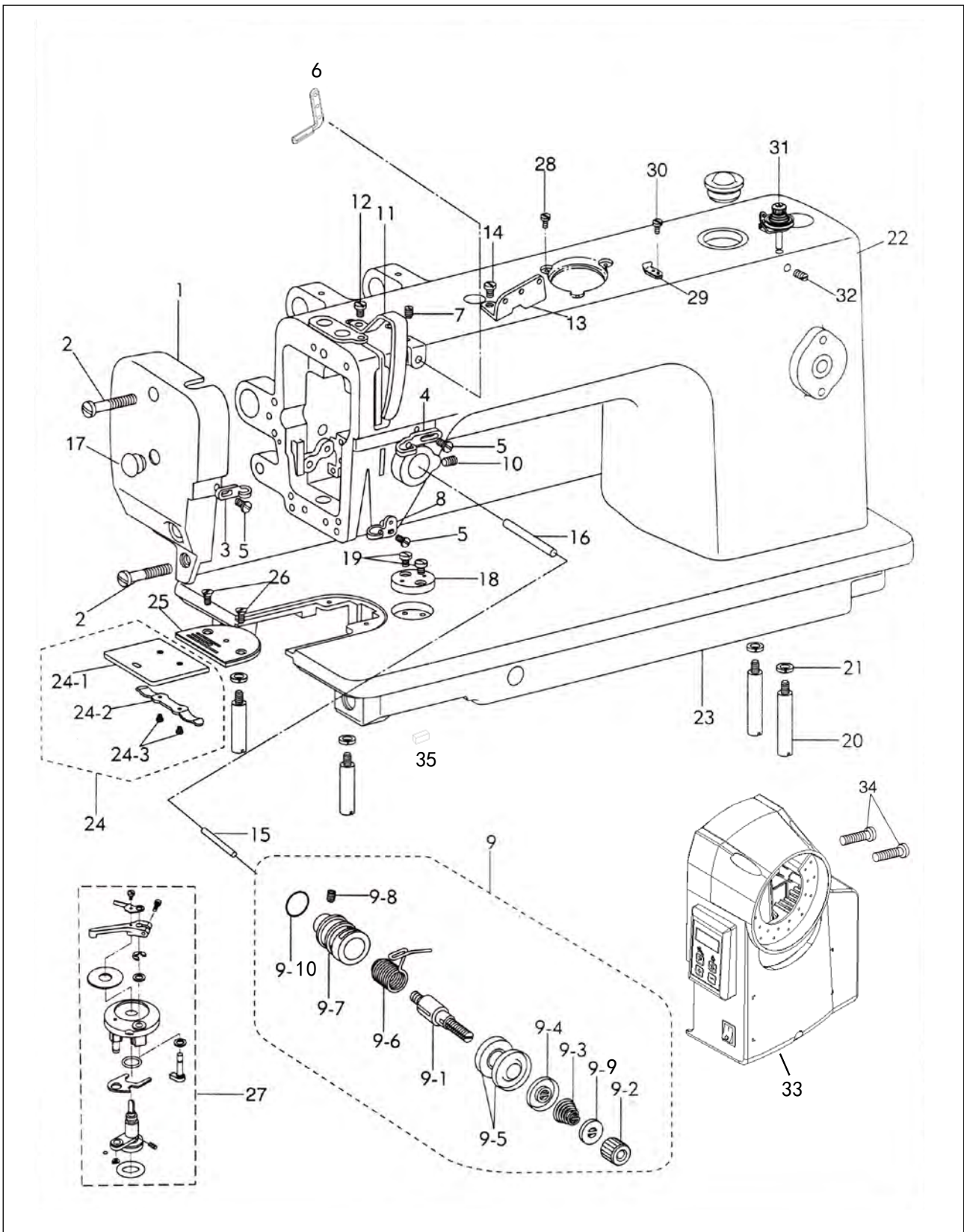
PARTS LIST

NA-11 Series PARTS LIST

CONTENTS

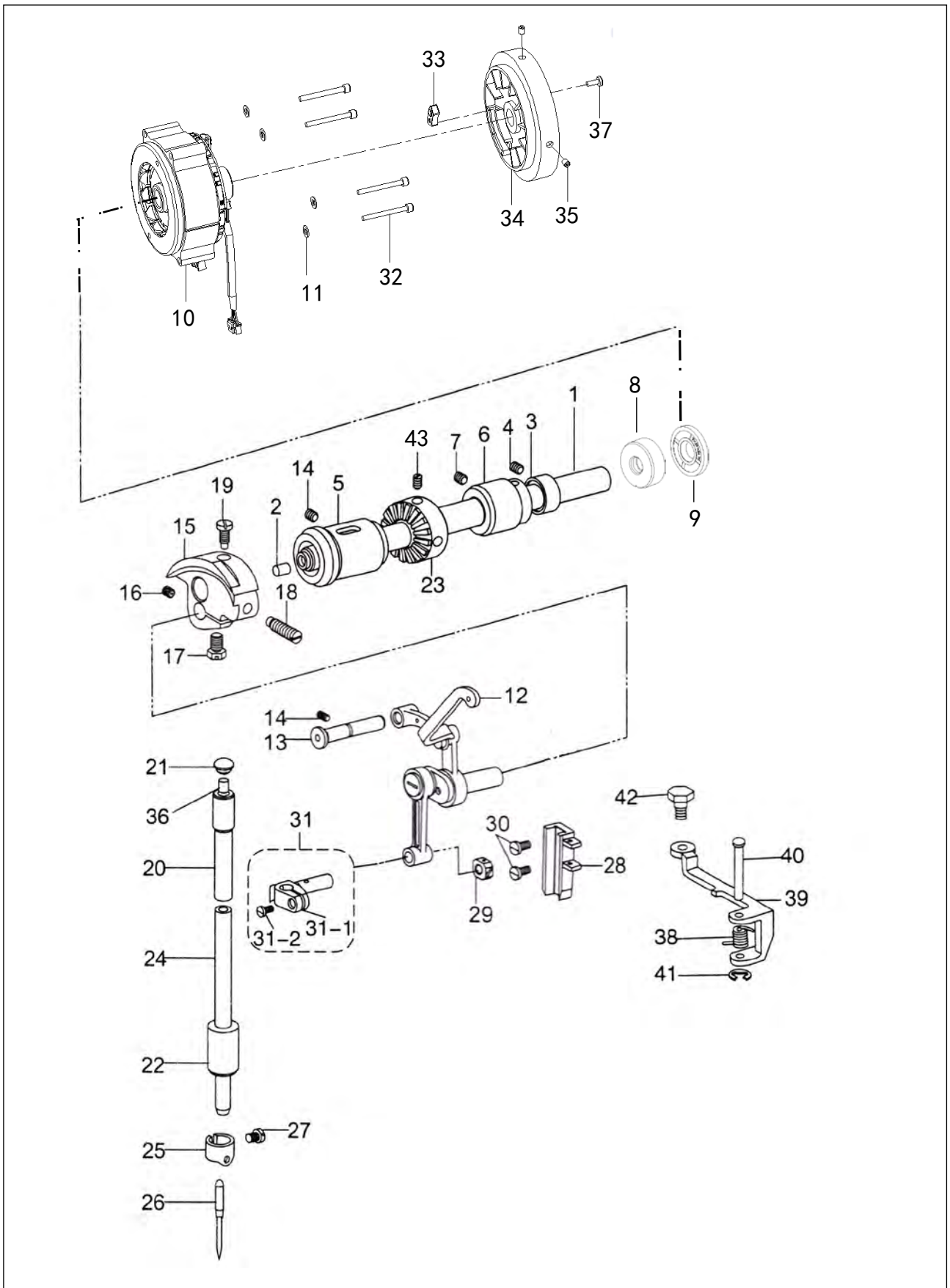
1. Casting mechanism.....	1
2. Needle bar and thread take-up mechanism	3
3. Presser foot mechanis	5
4. Feed mechanism	7
5. Upper feed mechanism	9
6. Hook mechanism.....	11
7. Lubrication mechanism	13
8. NA-11 Accessories	15

1. Casting mechanism



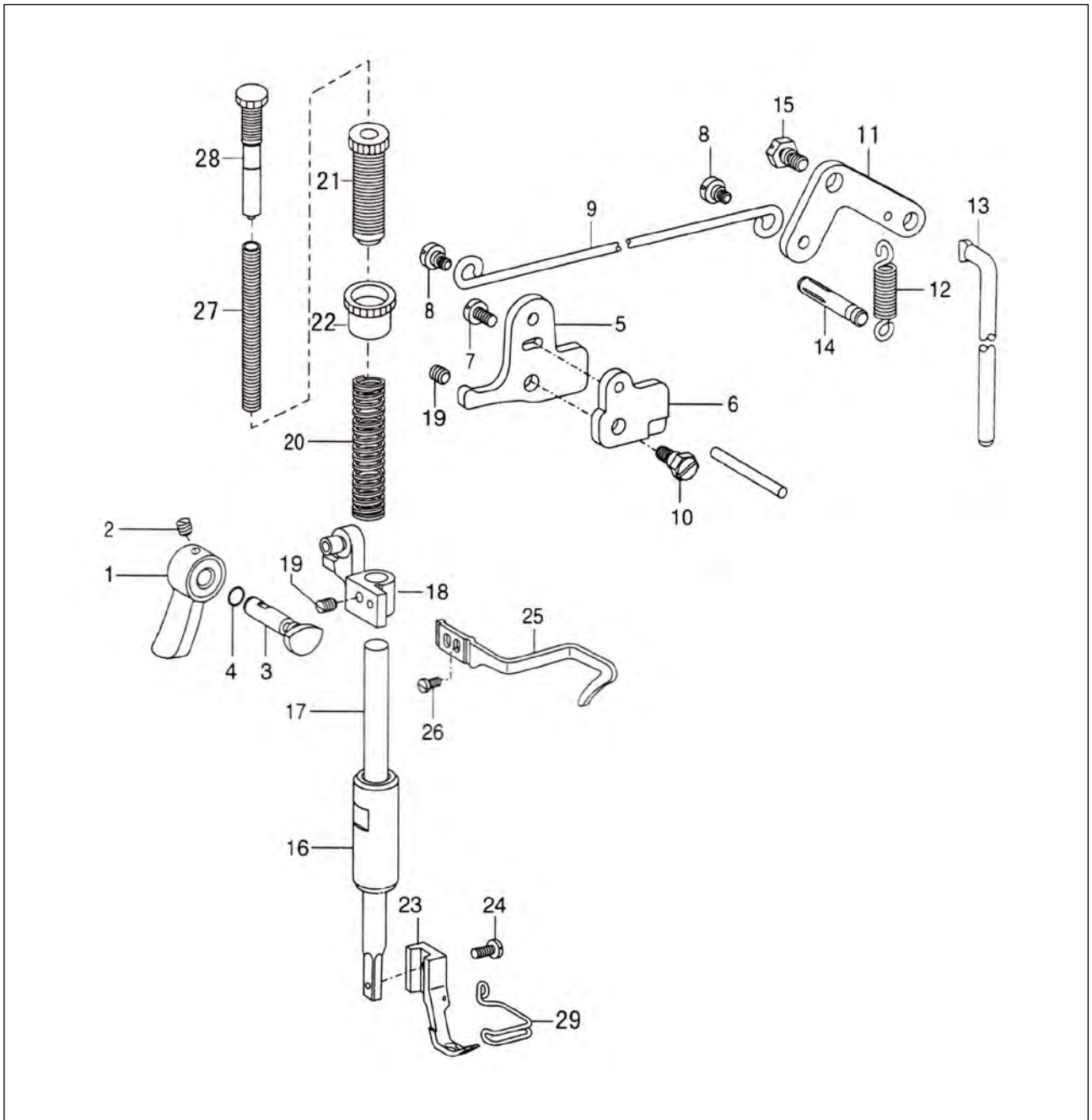
No.	Serial number	NAME OF PARTS	quantity
1	JINPF03030101L	Face plate	1
2	JINPF0302111	Screw	3
3	JINPF03030103	Thread guide	1
4	JINPF03030104	Thread guide	1
5	JINPF6150106	Screw	3
6	JINPF6150113	Thread guide assy.	1
7	JINPF68425H33	Set screw	1
8	JINPF0302157	Thread guide	1
9	JINPF03030109Q	Thread tension bracket assY	1
9-1		Tension stud	1
9-2		Tension nut	1
9-3		Tension sorina	1
9-4		Disc presser	1
9-5		Disc, tension	2
9-6		Thread take-up spring	1
9-7		Thread tension bracket	1
9-8		Set screw	1
9-9		Stopper	1
9-10	O ring	1	
10	JINPF6150132	Set screw	1
11	JINPF03030111	Cover	1
12	JINPF6150211	Screw	1
13	JINPF0302113	Thread retainer	1
14	JINPF6150114	Screw	1
15	JINPF6150131	Tension release pin	1
16	JINPF6150712	Tension release stud	1
17	JINPF6150104	Rubber plug	1
18	JINPF03030118	Ruler plate	1
19	JINPF5550117	Screw	2
20	JINPF6150142	Bed leg	4
21	JINPF03030121	Washer, spring	4
22	JIN033202007	Arm	1
23	JIN034202001	Bed	1
24	JINPF0302CX143	Slide plate assy.	1
24-1		Slide plate	1
24-2		push the spring	1
24-3		Screw	2
25	JINPF0302141	Needle plate	1
26	JINPF6150138	Screw	2
27	JINPF03030127	winding device assembly	1
28	JINPD-0128	Screw	3
29	JINPF90000132	cutting knife	1
30	JINPF555068	Screw	2
31	JINPF03030131Q	Thread guide assy.	1
32	JINPF555029	Screw	1
33	JIN11010033	OPERATION PANEL	1
34	JINSCJ2011	Screw	3
35	JINPF5550211	tarred felt	1

2. Needle bar and thread take-up mechanism



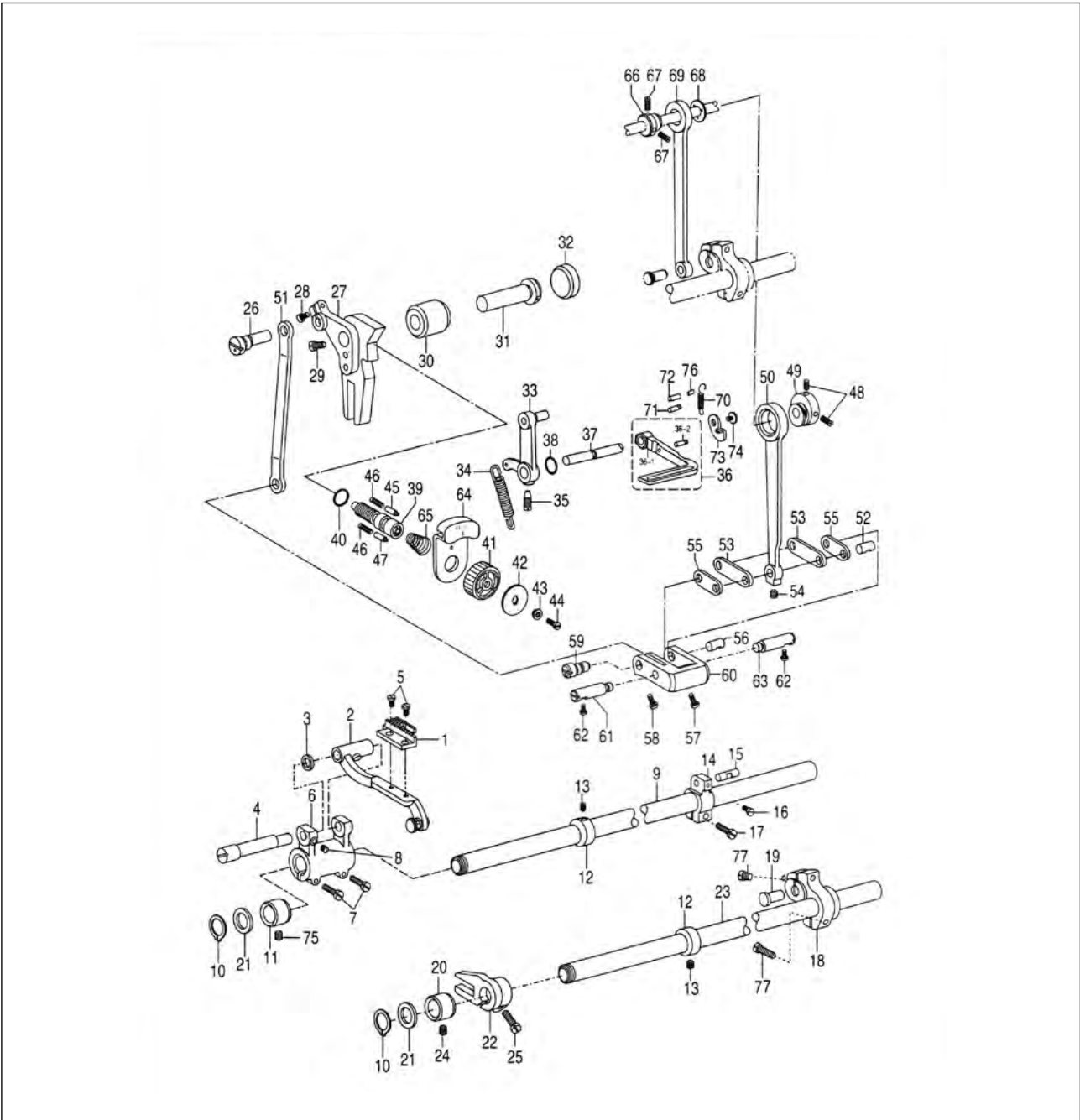
No.	Serial number	NAME OF PARTS	quantity
1	JINPF03030201	Upper shaft	1
2	JINPF030222	Robber cap	1
3	JINPF6150512	Collar	1
4	JINPF615034	Screw	2
5	JINPF03030205	Bush, L	1
6	JINPF6150307	Bush, M	1
7	JINPF555029	Set screw	1
8	JINPF0303020801	Bush, R	1
9	JINPF03030209	Oil sea!	1
10	JINPF0303DP0253	Electrical machine	1
11	JINSCJ3008	Washer	4
12	JINPF03030212	Thread take-up lever set	1
13	JINPF0302226	Support shaft	1
14	JINPF555022	Set screw	2
15	JINPF0302227	Thread take-up crank	1
16	JINPF5550625	Screw	1
17	JINPF0302228	Screw	1
18	JINPF5550218	Screw	1
19	JINPF6150215	Screw	1
20	JINPF03030220	Bush, U	1
21	JINPF6150135	Rubber cap	1
22	JINPF0302235	Bush, D	1
23	JINPF03030223	Screw	1
24	JINPF0302237	Needle bar	1
25	JINPF0302238	Thread guide	1
26	JINPFDTDP1723	Needle	1
27	JINPF6150225	Set screw	1
30	JINPF6150227	Screw	2
31		Needle bar clamp assy.	1
31-1	JINPF03030212	Needle bar clamp	1
31-2		Set screw	1
32	JINSCJ2010	Screw	4
33	JINPF03030254		1
34	JINPF0303DP021001	Hand wheel	1
35	JINPF555022	Screw	2
36	JINPF6150218	Felt	1
37	JINPF03030251	Screw	1
28		Guide	1
29		Slide block	1
38	JINPF0303ZJ002	Spring	1
39		Tension release plate	1
40		Tension release pin	1
41		Retaining ring	1
42	JINPF03030242	Screw	1
43	JINPF68425H33	Screw	2

3. Presser foot mechanis



No.	Serial number	NAME OF PARTS	quantity
1	JINPF030251	Presser bar lifter	1
2	JINPF6150708	Screw	1
3	JINPF030253	Lifter crank	1
4	JINPF5550416	Oring	1
5	JINPF6150706	Lifter lever	1
6	JINPF03030306	Guide plate	1
7	JINPF6150708	Screw	1
8	JINPF6150709	Screw	2
9	JINPF6150710	Collecting rod	1
10	JINPF6150711	Screw	1
11	JINPF6150713	Lever	1
12	JINPF6150714	Spring, extension	1
13	JINPF0302515	Knee lifter bar	1
14	JINPF6150716	Spring hook	1
15	JINPF61507141	Shoulder screw	1
16	JINPF6150717	Bush	1
17	JINPF03030317	Presserbar	1
18	JINPF0302520	Guide bracket	1
19	JINPF5550330	Screw	1
20	JINPF03030320	Spring, compression	1
21	JINPF03030321	Adjusting screw, presser	1
22	JINPF03030322	Adjusting nut, presser	1
23	JINPF03030323	Presser foot, inside	1
24	JINPF6150725	Screw	1
25	JINPF03030325	Thread guide	1
26	JINPF555049	Screw	1
27	JINPF03030327	Adjusting spring	1
28	JINPF03030328	Adjusting screw	1
29	JINPF03030329	Safety finger	1

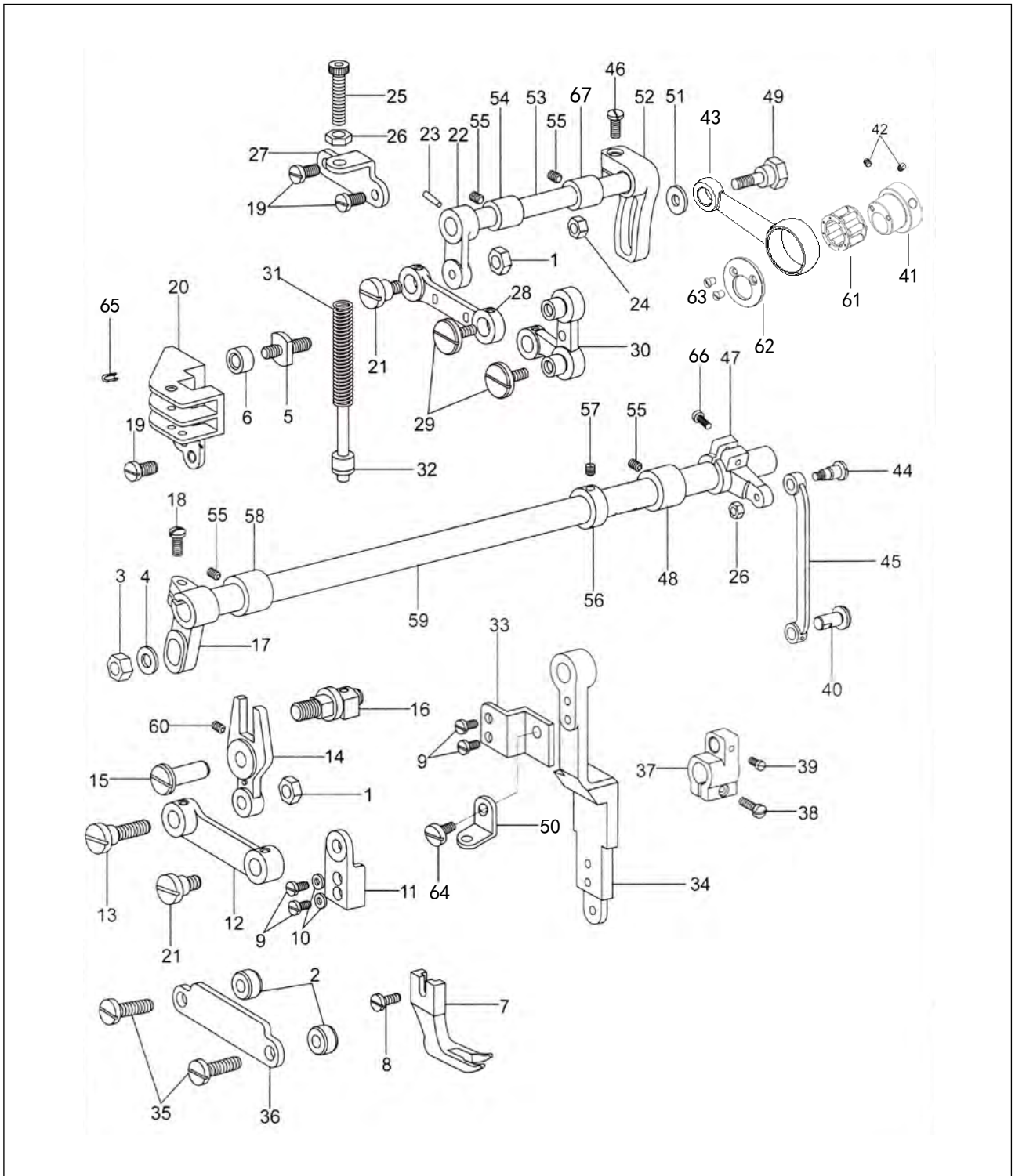
4. Feed mechanism



No.	Serial number	NAME OF PARTS	quantity
1	JINPF030231	Feed dog	1
2	JINPF61505201	Feed bar	1
3		Washer	1
4		Shaft	1
5		Screw	2
6		Feed rock arm	1
7		Screw	2
8		JINPF6150227	Screw
9	JINPF03030409	Feed shaft	1
10	JINSCJ1012	Retaining ring	2
11	JINPF03030411	Bush, L	1
12	JINPF6150512	Collar	2
13	JINPF615034	Set screw	4
15	JINPF6150515	Stud	1
16	JINPF6150516	Set screw	1
17	JINPF6150607	Screw	1
18	JINPF03030418	Feed lifting arm	1
19	JINPF6150518	Pin	1
20	JINPF0303420	Bush, L	1
21	JINPF6150629	Washer	2
22	JINPF0302342	Feed lifting arm	1
23	JINPF03030423	Shaft	1
24	JINPF555022	Screw	1
25	JINPF6150607	Screw	1
26	JINPF6150601	Connecting stud	1
27	JINPF030242	Feed regulator	1
28	JINPF6150107	Screw, L	1
29	JINPF6150610	Screw, S	1
30	JINPF03030430	Bush	1
31	JINPF03030431	Shaft	1
32	JINPF03030432	Rubber cap	1
33	JINPF030249	Pin assy. Lever	1
34	JINPF03030434	Spring, extension	1
35	JINPF6150619A	Screw	1
36	JINPF0303043601	Reverse stitching lever assy	1
36-1	JINPF0303043601	Reverse stitching lever	1
36-2	JINPF99904251	Spring hook pin	1
37	JINPF03030437	Shaft	1
38	JINPF6150624	Oring	1
39	JINPF6150628	Adjusting screw	1
40	JINPF6150629	Oring	2

41	JINPF0302422	Stitch length dial	1	
42	JINPF0302422	Stitch length plate	1	
43	JINPF6150642	Support bush	1	
44	JINPF0302424	Screw	1	
45	JINPF0302425	Positioning pin	1	
46	JINPF6150635	Spring	2	
47	JINPF0302446	Stopper pin	1	
51	JINPF0302430	Connecting rod	1	
14	JINPF0302447	Feed rocker arm	1	
48		Set screw	3	
49		Feed cam	1	
50		Feed connecting rod	1	
52		Stud	1	
53		Link	2	
54		Set screw	1	
55		Link	2	
56		Shaft	1	
57		Screw	1	
58		Screw	1	
59		Shaft	1	
60		Feed regulator crank	1	
66		Eccentric wheel	1	
67		Screw	3	
68		Holder	1	
69		Feed lifting rod	1	
61		JINPF03030461	Pin shaft, L	1
62		JINPF6150607	Screw	2
63	JINPF6150608	Pin shaft, R	1	
64	JINPF0303046401	Stopper	1	
65	JINPF0302445	Spring	1	
70	JINPF03030470	Spring	1	
71	JINPF03030471	Spring hook	1	
72	JINPF99904251	Pin	1	
73	JINPF03030473	Plate	1	
74	JINPF03030474	Screw	1	
75	JINPF55506261	Screw	1	
76	JINPF99904251	Pin shaft	1	
77	JINPF03030477	Screw	1	

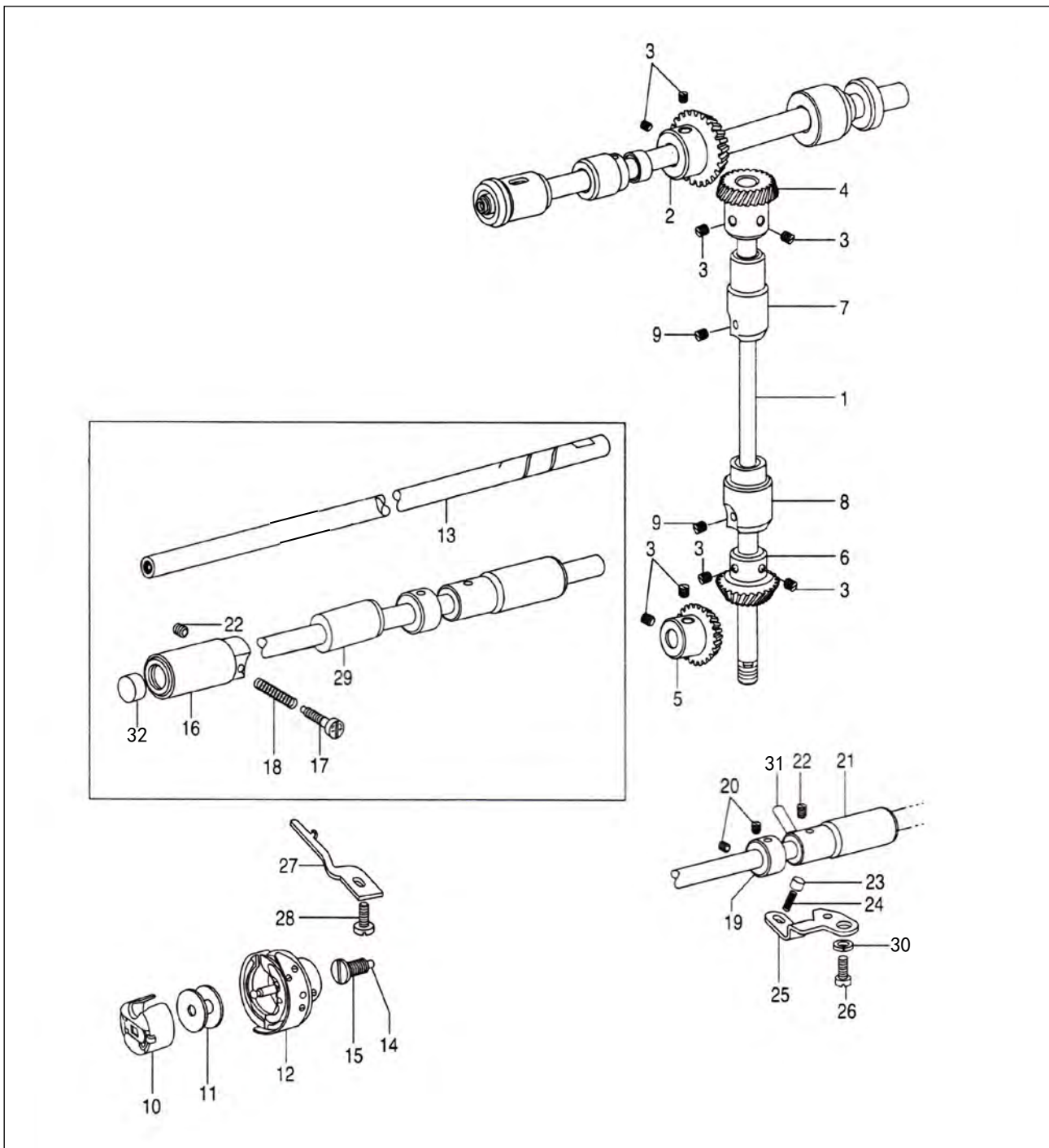
5. Upper feed mechanism



No.	Serial number	NAME OF PARTS	quantity
1	JINPF030261	Nut	2
2	JINPF030262	Collar	2
3	JINPF030261	Nut	1
4	JINPF030264	Washer	1
6	JINPF030266	Roller	1
7	JINPF030267	Walking foot	1
8	JINPF6150725	Screw	1
13	JINPF0302613	Shoulder screw	1
14	JINPF0302614	Lever	1
15	JINPF0302615	Shaft	1
16	JINPF0302616	Roller shaft assy.	1
17	JINPF03030517	Crank	1
18	JINPF03030518	Screw	2
19	JINPF555056	Screw	4
20	JINPF0302620	Lever guide	1
21	JINPF0302621	Screw	2
22		Feed lifting arm crank, L	1
53	JINPF0302653	Feed lifting shaft	1
23		Pin	1
25	JINPF0302625	Screw	1
26	JINPF0302626	Nut	2
27	JINPF0302627	Bracket	1
5		Roller shaft	1
28		Link	1
11		Clamper	1
9		Screw	4
10	JINPF0303053001	Washer	2
12		Link	1
29		Screw	2
30		Feed lever	1
34		Connecting rod	1
31		Spring, compression	1
32	JINPF03030532	Guide shaft	1
33	JINPF03030533	Holder plate	1
35	JINPF555022	Screw	2
36	JINPF0302636	Rod guide	1
37	JINPF0302637	Feed rocker arm	1
38	JINPF6150607	Screw	1
39	JINPF5550633	Set screw	1
40	JINPF0302640	Stud	1

42	JINPF90008103	Screw	2
44	JINPF0302644	Shoulder screw	1
45	JINPF0302645	Connecting rod	1
46	JINPF0302646	Shoulder screw	1
47	JINPF03030547	Feed lifting arm crank, R	1
48	JINPF03030548	Bush, M	1
50	JINPF03030564	Bracket	1
54	JINPF03030554	Bush	1
55	JINPF555029	Screw	3
56	JINPF6150512	Collar	1
57	JINPF55506261	Screw	2
58	JINPF03030558	Bush, L	1
59	JINPF03030559	Upper feed shaft	1
60	JINPF555029	Screw	1
24		Nut	1
61		Roller bearings	1
52		Feed arm	1
51		Washer	1
41	JINPF0302641	Eccentric wheel	1
43		Connecting rod	1
49		Screw	1
62		carrier ring	1
63		Screw	2
64	JINPF03030565	Screw	1
65	JINSCJ4001	Pin	2
66	JINPF03030567	Screw	1
67	JINPF03030568	Bush	1

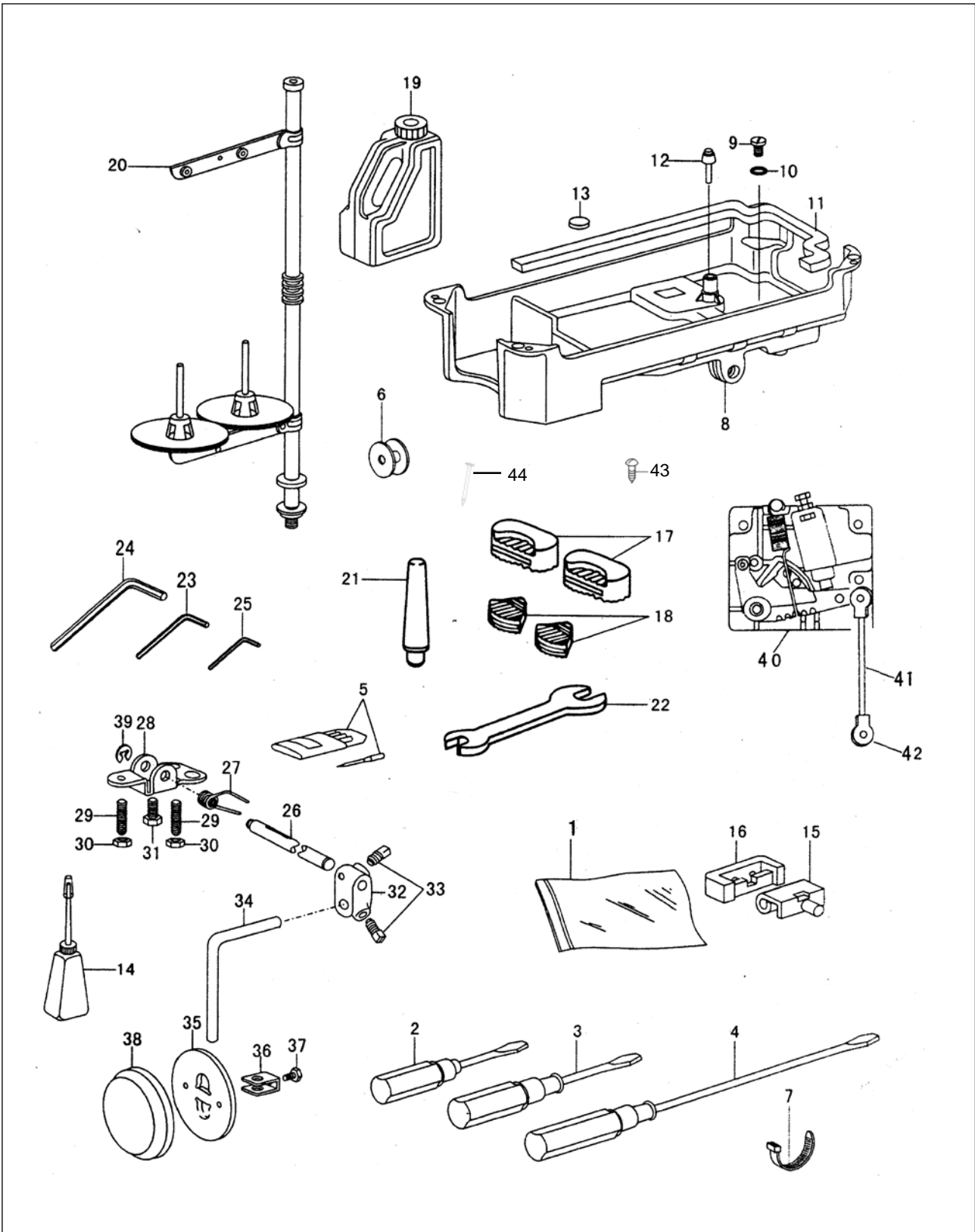
6. Hook mechanism



No.	Serial number	NAME OF PARTS	quantity
1	JINPF0302216	Vertical shaft	1
2	JINPF615031902	Bevel gear, upper shaft	1
3		Set screw	8
4	JINPF615032002	Bevel gear, vertical shaft, U	1
5	JINPF615032202	Bevel gear, lower shaft	1
6	JINPF615032302	Bevel gear, vertical shaft, L	1
7	JINPF5550522	Bush, vertical shaft, U	1
8	JINPF5550521	Bush, vertical shaft, L	1
9	JINPF555029	Screw	2
10	JINPF03030610	Bobbin case	1
11	JINPF0302319	Bobbin	1
12	JINPF03030612	Hook assy.	1
13	JINPF0302322	Lower shaft	1
14	JINPF55505901	Filter	1
15	JINPF6150402	Screw	1
16	JINPF03030616	Bush, lower shaft, L	1
17	JINPF6150408	Adjusting screw, oil	1
18	JINPF5550821	Adjusting spring	1
19	JINPF6150404	Collar	2
20	JINPF55506261	Screw	1
21	JINPF6150410	Bush, lower shaft, R	2
22	JINPF555029	Screw	1
23	JINPF6150412	Plunger	1
24	JINPF6150413	Spring	1
25	JINPF6150414	Holder plate	1
26	JINPF6150610	Screw	1
27	JINPF0302344	B/case holder position bracket	1
28	JINPF555056	Screw	1
29	JINPF03030629	Bush, lower shaft, M	1
30	JINPF6150414	Washer	1
31	JINPF6150411	Oil tube	1
32	JINPF9990707	Oil seal	1

No.	Serial number	NAME OF PARTS	quantity
1	JINPF030271	Pump body	1
2		Big gear, pump	1
3		Small gear, pump	1
4		Screw	3
5		Cover	1
6		Throat plate	1
7		Filter set	1
9		Shaft	1
10		Screw	2
32		Washer	1
8	JINPF6150809	Screw	3
11	JINPF03030711	Setting plate	1
12	JINPF6150812	Screw	2
13	JINPF6150813	Oil tube, U	1
14	JINPF6150815	Tube assy.	1
17	JINPF03030717	Oil tube	1
18	JINPF6150526	Oil wick	1
19	JINPF6150103	Rubber cap	1
20	JINPF6150104	Rubber cap	4
21	JINPF6150135	Rubber cap	2
22	JINPF6150136	Rubber cap	1
23	JINPF6150146	Rubber cap	1
24	JINPF6150112	Oil gauge window	1
25	JINPF030214902	Back cover	1
26	JINPF03030726	Rubber cap	1
27	JINPF030215001	Packing	1
28	JINPF555016	Screw	8
29	JINPF555016	Screw	1
30	JINPF03030730	Oil pan	1
31	JINPF555016	Screw	1
33	JINPF03030733	Washer	1
34	JINPF03030734	Oil pan	1

8. NA-11 Accessories



No.	Serial number	NAME OF PARTS	quantity
1	JINPF5550102301	Accessory bag	1
2	JINPF55501018	Screw driver, S	1
3	JINPF55501017	Screw driver, M	1
4	JINPF55501016	Screw driver, L	1
5	JINPFDTDP1723	Needle	4
6	JINPF0302319	Bobbin	3
7	JINSCJ6018	Screw	4
8	JINPF03031008	Washer	1
9	JINPF6150902	Screw	1
10	JINPF555096	Belt guard assy.	1
11-1	JINPF030284	Screw	1
11-2	JINPF030285	Screw	1
12	JINPF5550911	Washer	1
13	JINPF03031013	Screw	1
14	JINPF61501105	Oil pot	1
15	JINPF5550101	Head hinge	2
16	JINPF5550102	Cushion, head hinge	2
17	JINPF555099	Head cushion, L	2
18	JINPF555098	Head cushion, S	2
19	JINPF55501022	Oil tank	1
20	JINPF55501127	Thread stand assy.	1
21	JINPF55501021	Head rest	1
22	JINPF61501109	Wrench	1
23	JINPF03031023	Wrench, 2mm	1
24	JINPF03031024	Wrench, 3mm	1
25	JINPF03031025	V-belt	1
26	JINPF6150906	Lifter shaft	1
27	JINPF6150907	Spring	1
28	JINPF6150908	Bracket	1
29		Adjusting screw	2
30		Adjusting nut	2
31		Screw	1
32	JINPF5550919	Bracket	1
33		Screw	1
34	JINPF5550922	Lifter bar	1
35	JINPF5550923	Knee lifter plate	1
36	JINPF5550926	Stopper	1
37		Screw	1
38	JINPF5550924	Cover, K-lifter plate	1
39	JINPF5550918	Retaining ring	1
40	JIN12040007	The apeed machine pedal	1
41	JINPF90001318	Pedal arms shifter lever	1
42		Pedal arms	2
43	JINSCJ2036	Screw	3
44	JINSCJ6018	Nails	6