

PARTS LIST

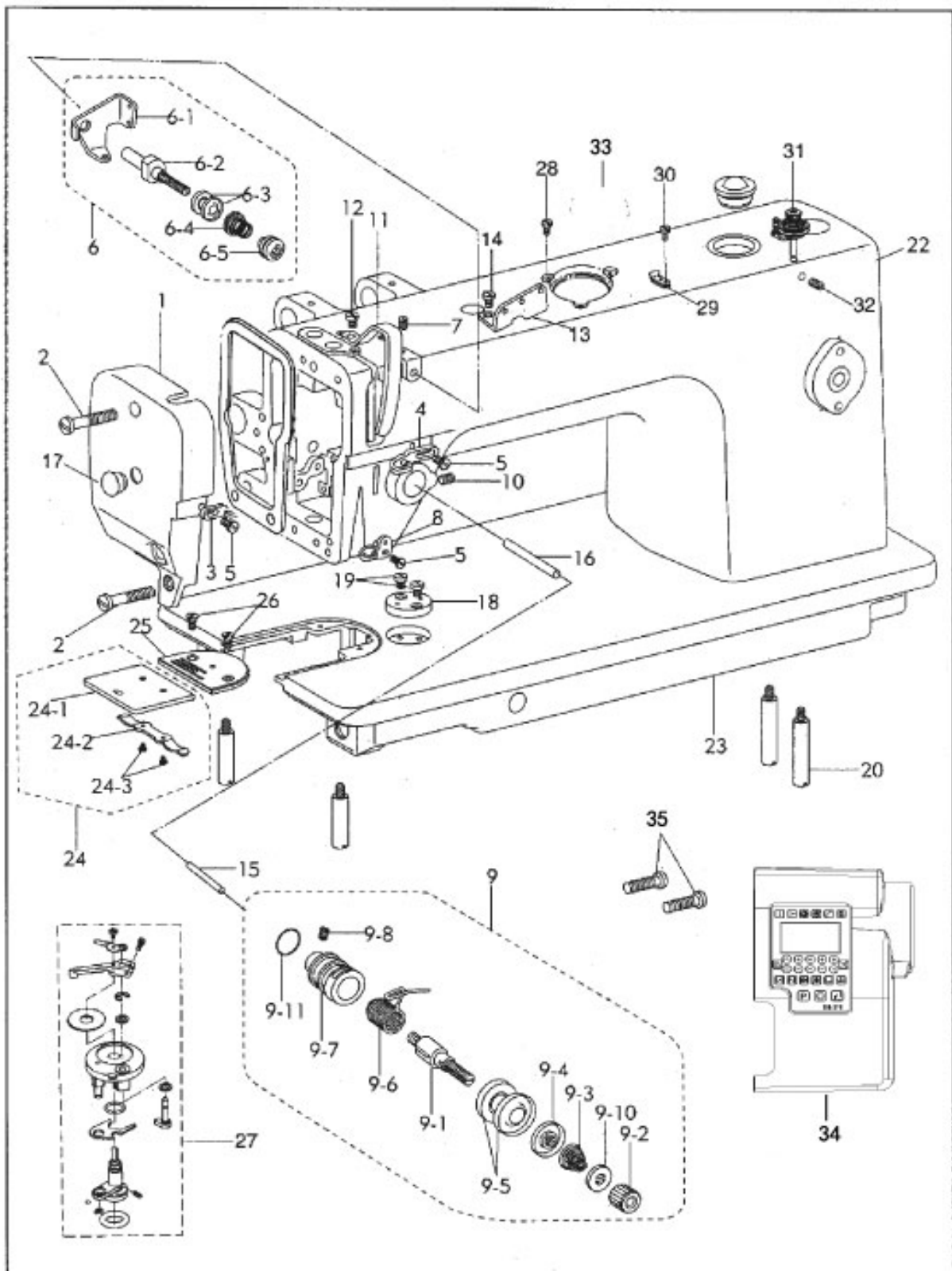
NA-11UT Series

PARTS LIST

CONTENTS

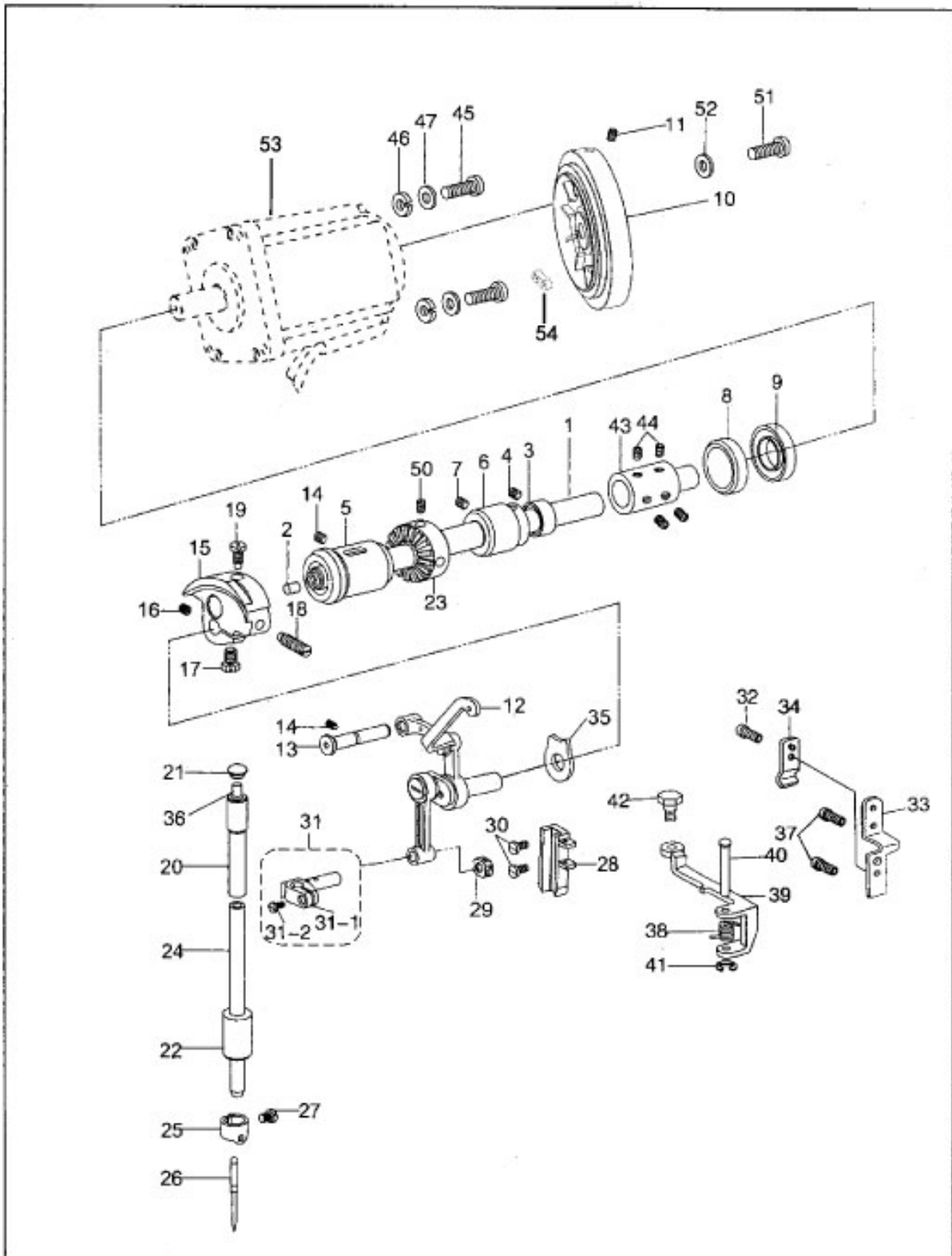
1. Casting mechanism.....	1
2. Needle bar and thread take-up mechanism	3
3. Presser foot mechanis	5
4. Feed mechanism	7
5. Upper feed mechanism	10
6. Hook mechanism.....	13
7. Lubrication mechanism	15
8. Thread trimming mechanism	17
9. Reverse stitching mechanism.....	20
10. Accessories	22

1. Casting mechanism



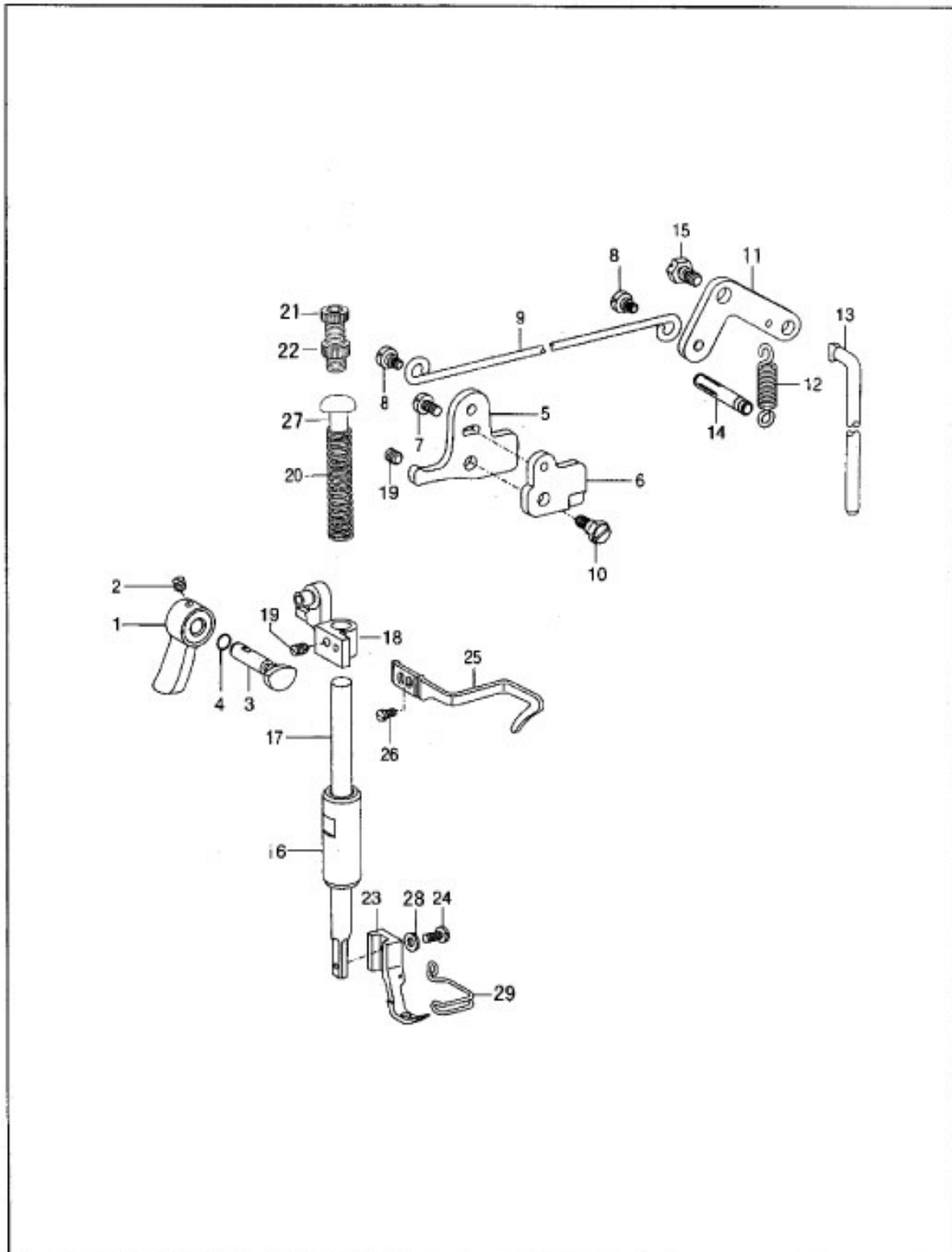
No.	Serial number	NAME OF PARTS	quantity
1	JINPF0303D0101L (finished product)	Face plate	1
2	JINPF0302111	Screw	3
3	JINPF03030103	Thread guide	1
4	JINPF03030104	Thread guide	1
5	JINPF6150106	Screw	3
6	JINPF03030106Q	Thread guide assy.	1
6-1		Thread guide	1
6-2		Pre-tension stud	1
6-3		Tension disc	2
6-4		Tension spring	1
6-5		Adjusting screw	1
7	JINPF68425H33	Set screw	1
8	JINPF0302157	Thread guide	1
9	JINPF03030109Q	Thread tension bracket assY	1
9-1		Tension stud	1
9-2		Tension nut	1
9-3		Tension sorina	1
9-4		Disc presser	1
9-5		Disc, tension	2
9-6		Thread take-up spring	1
9-7		Thread tension bracket	1
9-8		Set screw	1
9-10		Stopper	1
9-11		O ring	1
10	JINPF6150132	Set screw	1
11	JINPF03030111	Cover	1
12	JINPF6150211	Screw	1
13	JINPF0302113	Thread retainer	1
14	JINPF6150114	Screw	1
15	JINPF6150131	Tension release pin	1
16	JINPF6150712	Tension release stud	1
17	JINPF6150104	Rubber plug	1
18	JINPF03030118	Ruler plate	1
19	JINPF5550117	Screw	2
20	JINPF6150142	Bed leg	4
22	JIN033202010	Arm	1
23	JIN034204015	Bed	1
24	JINPF0302CX143	Slide plate assy.	1
24-1		Slide plate	1
24-2		push the spring	1
24-3		Screw	2
25	JINPF0302141	Needle plate	1
26	JINPF6150138	Screw	2
27	JINPF03030127	winding device assembly	1
28	JINPD-0128	Screw	3
29	JINPF90000132	cutting knife	1
30	JINPF555068	Screw	2
31	JINPF03030131Q	Thread guide assy.	1
32	JINPF555029	Screw	1
33	JINPF03030137	Washer	1
34	JINPF0303025501	electric cabinet	1
35	Market parts	Screw	2

2. Needle bar and thread take-up mechanism



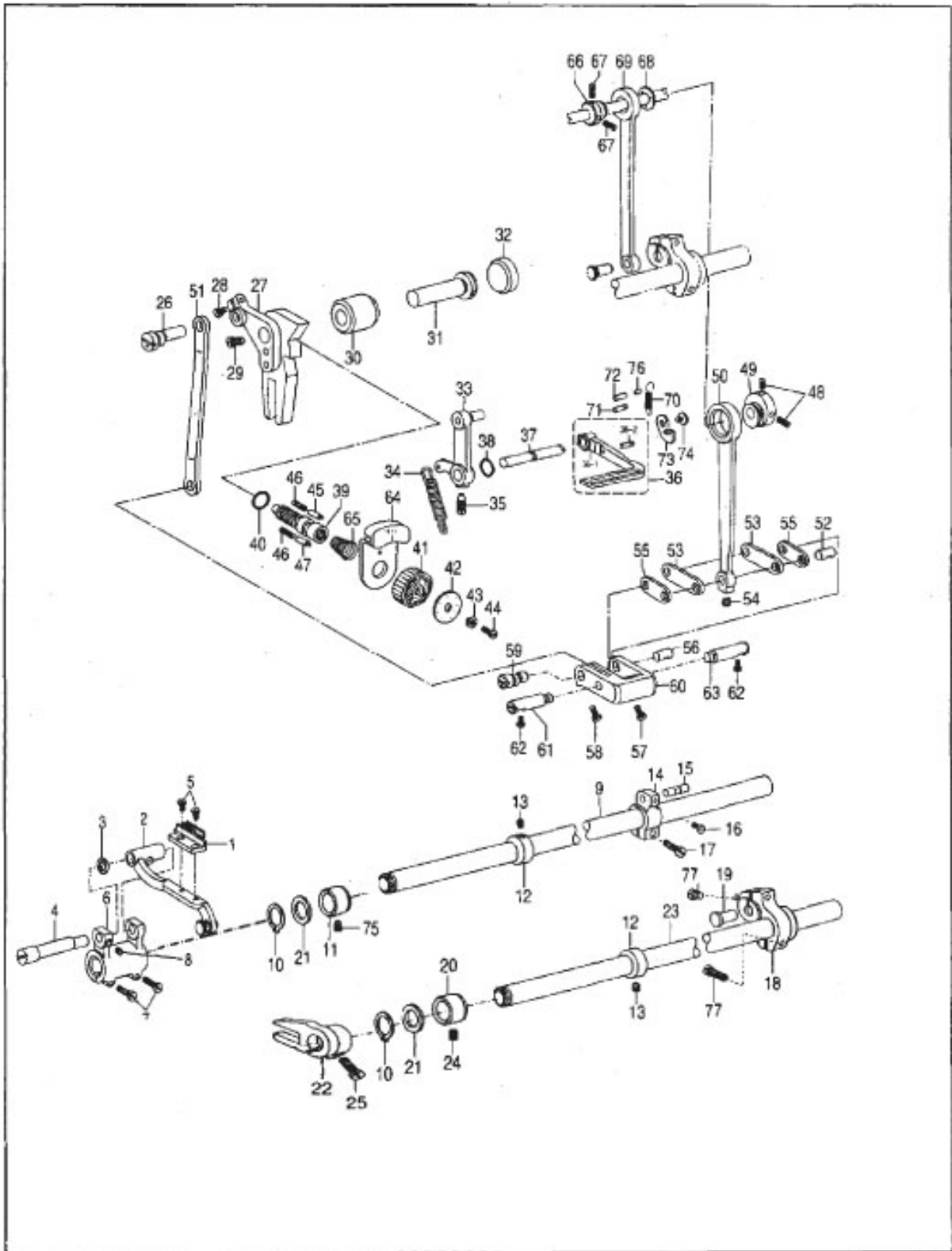
No.	Serial number	NAME OF PARTS	quantity
1	JINPF03030201	Upper shaft	1
2	JINPF030222	Robber cap	1
3	JINPF6150512	Collar	1
4	JINPF615034	Screw	2
5	JINPF03030205	Bush, L	1
6	JINPF6150307	Bush, M	1
7	JINPF555029	Set screw	1
8	JINPF999020104	Bush, R	1
9	JINPF03030209	Oil seal	1
10	JINPF03030210	Hand wheel	1
11	JINPF68425E39	Screw	2
12	JINPF03030212	Thread take-up lever set	1
13	JINPF030226	Support shaft	1
14	JINPF555022	Set screw	2
15	JINPF030227	Thread take-up crank	1
16	JINPF5550625	Screw	1
17	JINPF0302228	Screw	1
18	JINPF5550218	Screw	1
19	JINPF6150215	Screw	1
20	JINPF03030220	Bush, U	1
21	JINPF6150135	Rubber cap	1
22	JINPF0302235	Bush, D	1
23	JINPF03030223	Screw	1
24	JINPF03030224	Needle bar	1
25	JINPF0302238	Thread guide	1
26	JINPFDTDP1723	Needle	1
27	JINPF6150225	Set screw	1
28	JINPF0303ZJ002	Guide	1
29	JINPF0303229	Slide block	1
30	JINPF6150227	Screw	2
31		Needle bar clamp assy.	1
31-1	JINPF03030212	Needle bar clamp	1
31-2		Set screw	1
32	JINPF0303233	Screw	1
33	JINPF0303ZJ001	Wire holder, U	1
34	JINPF0303234	Wire holder, D	1
35		Washer	1
36	JINPF6150218	Felt	1
37	JINPF03030237	Screw	2
38		Spring	1
39	JINPF0303228	Tension release plate	1
40		Tension release pin	1
41		Retaining ring	1
42	JINPF03030242	Screw	1
43	JINPF03030243	Connect block	1
44	JINBF310164547	Screw	4
45	Market parts	Screw GB/T8	4
46	Market parts	Washer GB/T8	4
47	Market parts	Washer GB/T9	4
48		Ground wire assy.	1
49		Screw	1
50	JINPF68425H33	Screw	2
51	JINPF03030251	Screw	1
52	JINPF03030252	Washer	1
53	JINPF0303253	Electrical machine	1
54	JINPF03030254	Magnet steel	1

3. Presser foot mechanis



No.	Serial number	NAME OF PARTS	quantity
1	JINPF030251	Presser bar lifter	1
2	JINPF6150708	Screw	1
3	JINPF030253	Lifter crank	1
4	JINPF5550416	Oring	1
5	JINPF6150708	Lifter lever	1
6	JINPF03030306	Guide plate	1
7	JINPF6150708	Screw	1
8	JINPF6150709	Screw	2
9	JINPF6150710	Collecting rod	1
10	JINPF6150711	Screw	1
11	JINPF6150713	Lever	1
12	JINPF6150714	Spring, extension	1
13	JINPF0302515	Knee lifter bar	1
14	JINPF6150716	Spring hook	1
15	JINPF61507141	Shoulder screw	1
16	JINPF6150717	Bush	1
17	JINPF03030317	Presserbar	1
18	JINPF0302520	Guide bracket	1
19	JINPF5550330	Screw	1
20	JINPF03030320	Spring, compression	1
21	JINPF03030321	Adjusting screw, presser	1
22	JINPF03030322	Adjusting nut, presser	1
23	JINPF03030323	Presser foot, inside	1
24	JINPF6150725	Screw	1
25	JINPF03030325	Thread guide	1
26	JINPF555049	Screw	1
27	JINPF03030327	Adjusting spring	1
28	JINPF03030328	Adjusting screw	1
29	JINPF03030329	Safety finger	1
30		Finger guard	1

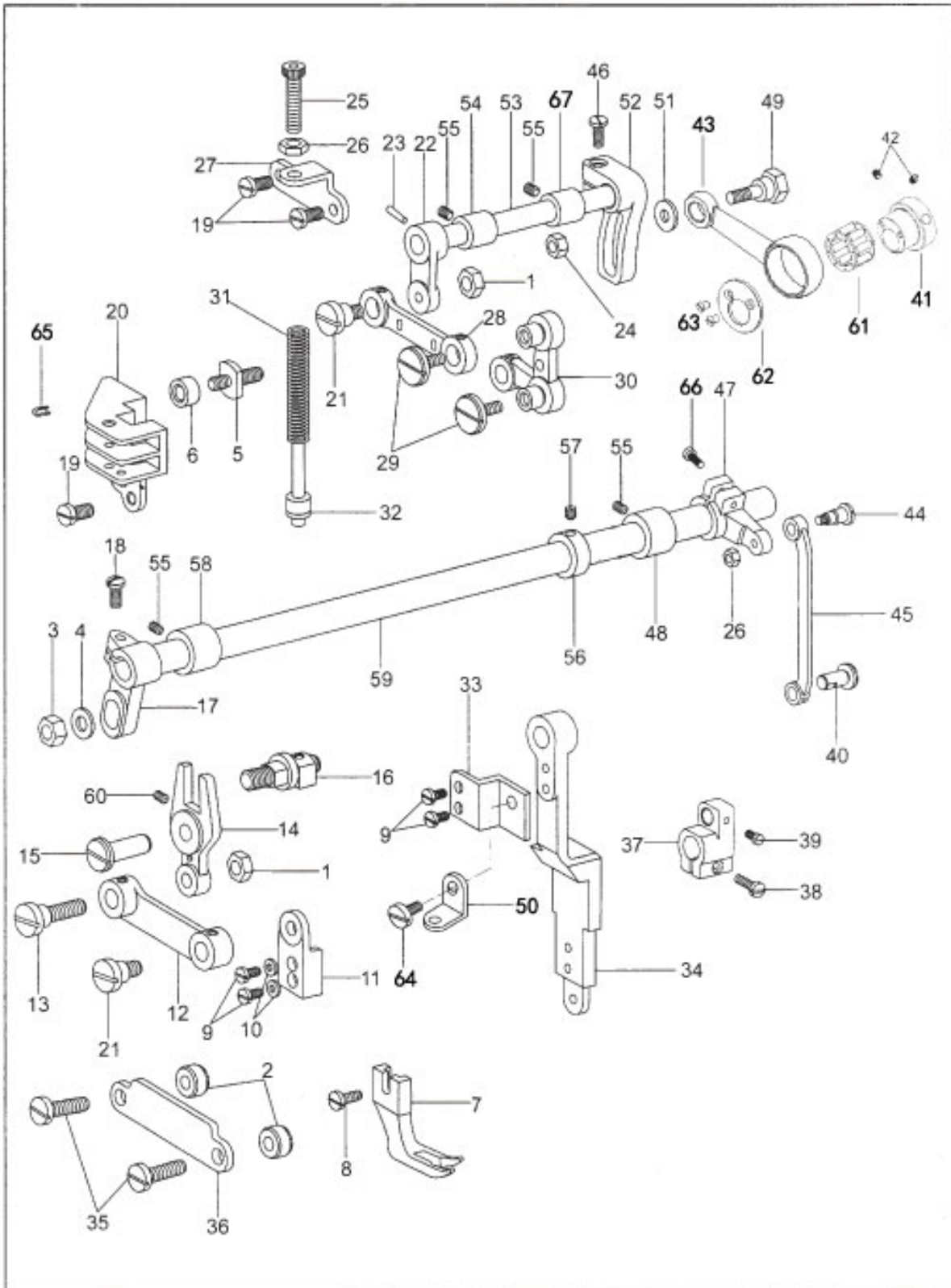
4. Feed mechanism



No.	Serial number	NAME OF PARTS	quantity
1	JINPF030231	Feed dog	1
2	JINPF6150502	Feed bar	1
3	JINPF6150503	Washer	1
4	JINPF6150504	Shaft	1
5	JINPF5550635	Screw	2
6	JINPF030236	Feed rock arm	1
7	JINPF5550629	Screw	2
8	JINPF6150227	Screw	1
9	JINPF03030409	Feed shaft	1
10	Market parts	Retaining ring	2
11	JINPF03030411	Bush, L	1
12	JINPF6150512	Collar	2
13	JINPF615034	Set screw	4
14	JINPF0302447	Feed rocker arm	1
15	JINPF6150515	Stud	1
16	JINPF6150516	Set screw	1
17	JINPF6150607	Screw	1
18	JINPF03030418	Feed lifting arm	1
19	JINPF6150518	Pin	1
20	JINPF0303420	Bush, L	1
21	JINPF6150629	Washer	2
22	JINPF0302342	Feed lifting arm	1
23	JINPF03030423	Shaft	1
24		Screw	1
25	JINPF6150607	Screw	1
26	JINPF6150601	Connecting stud	1
27	JINPF030242	Feed regulator	1
28	JINPF6150107	Screw, L	1
29	JINPF6150610	Screw, S	1
30	JINPF03030430	Bush	1
31	JINPF03030431	Shaft	1
32	JINPF03030432	Rubber cap	1
33	JINPF030249	Pin assy. Lever	1
34	JINPF03030434	Spring, extension	1
35	JINPF6150619A	Screw	1
36	JINPF0303043601	Reverse stitching lever assy	1
36-1	JINPF0303043601	Reverse stitching lever	1
36-2	JINPF99904251	Spring hook pin	1
37	JINPF03030437	Shaft	1
38	JINPF6150624	Oring	1
39	JINPF6150628	Adjusting screw	1
40	JINPF6150629	Oring	1
41	JINPF0302421	Stitch length dial	1
42	JINPF0302422	Stitch length plate	1
43	JINPF6150642	Support bush	1

44	JINPF6150633	Screw	1
45	JINPF0302425	Positioning pin	1
46	JINPF6150635	Spring	2
47	JINPF0302446	Stopper pin	1
48	JINPF0302447	Set screw	3
49		Feed cam	1
50		Feed connecting rod	1
51	JINPF0302430	Connecting rod	1
52	JINPF6150112	Stud	1
53		Link	2
54		Set screw	1
55		Link	2
56		Shaft	1
57		Screw	1
58		Screw	1
59		Shaft	1
60		Feed regulator crank	1
61		JINPF03030461	Pin shaft, L
62	JINPF6150607	Screw	2
63	JINPF6150608	Pin shaft, R	1
64	JINPF0303046401	Stopper	1
65	JINPF0302445	Spring	1
66	JINPF0302447	Eccentric wheel	1
67		Screw	3
68		Holder	1
69		Feed lifting rod	1
70	JINPF03030470	Spring	1
71	JINPF03030471	Spring hook	1
72	JINPF99904251	Pin	1
73	JINPF03030473	Plate	1
74	JINPF03030474	Screw	1
75	JINPF55506261	Screw	1
76	JINPF99904251	Pin shaft	1
77	JINPF03030477	Screw	1

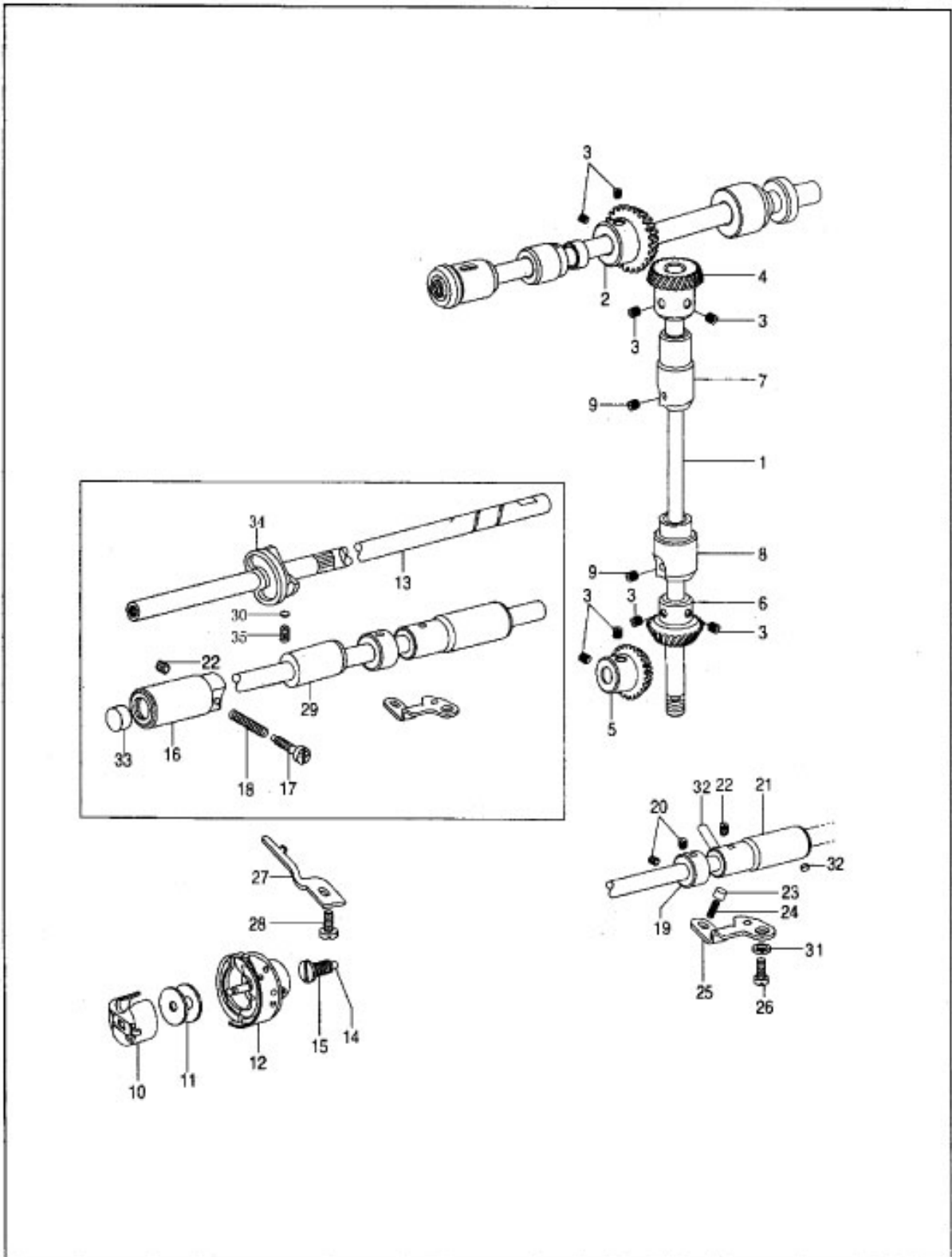
5. Upper feed mechanism



No.	Serial number	NAME OF PARTS	quantity
1	JINPF030261	Nut	2
2	JINPF030262	Collar	2
3	JINPF030261	Nut	1
4	JINPF030264	Washer	1
5	JINPF0302605	Roller shaft	1
6	JINPF030266	Roller	1
7	JINPF030267	Walking foot	1
8	JINPF6150725	Screw	1
9	JINPF0302611	Screw	4
10		Washer	2
11		Clamper	1
12	JINPF0302612	Link	1
13	JINPF0302613	Shoulder screw	1
14	JINPF0302614	Lever	1
15	JINPF0302615	Shaft	1
16	JINPF0302616	Roller shaft assy.	1
17	JINPF03030517	Crank	1
18	JINPF03030518	Screw	2
19	JINPF555056	Screw	4
20	JINPF0302620	Lever guide	1
21	JINPF0302621	Screw	2
22	JINPF0302622	Feed lifting arm crank, L	1
23	JINPF0302623	Pin	1
24	JINPF0302641	Nut	1
25	JINPF0302625	Screw	1
26	JINPF0302626	Nut	2
27	JINPF0302627	Bracket	1
28	JINPF0302628	Link	1
29	JINPF555022	Screw	2
30	JINPF0302630	Feed lever	1
31	JINPF0302631	Spring, compression	1
32	JINPF03030532	Guide shaft	1
33	JINPF03030533	Holder plate	1
34	JINPF0302634	Connecting rod	1
35	JINPF555022	Screw	2
36	JINPF0302636	Rod guide	1
37	JINPF0302637	Feed rocker arm	1
38	JINPF6150607	Screw	1
39	JINPF5550633	Set screw	1
40	JINPF0302640	Stud	1
41	JINPF0302641	Eccentric wheel	1
42	JINPF90008103	Screw	2
43	JINPF0302643	Connecting rod	1

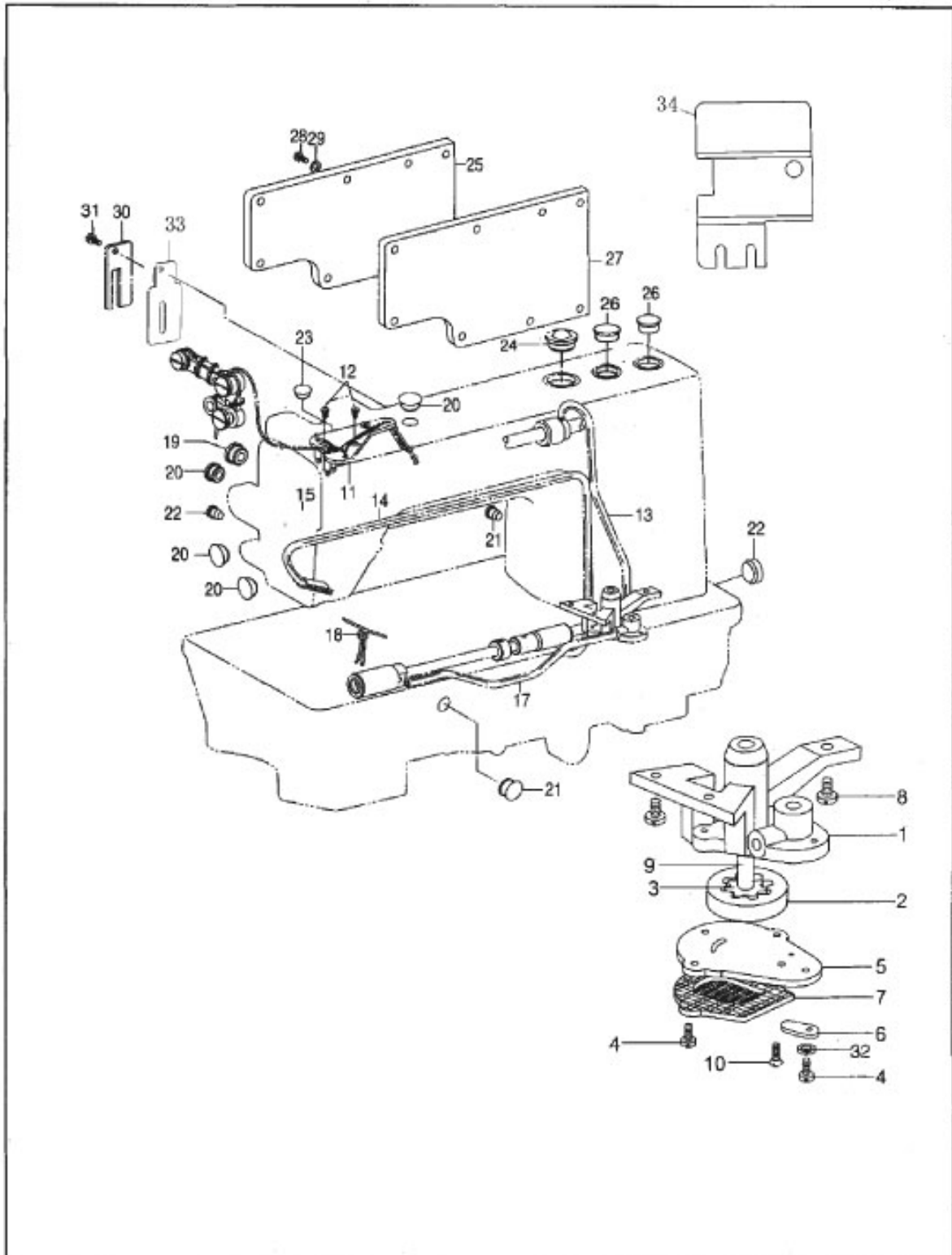
44	JINPF0302644	Shoulder screw	1
45	JINPF0302645	Connecting rod	1
46	JINPF0302646	Shoulder screw	1
47	JINPF03030547	Feed lifting arm crank, R	1
48	JINPF03030548	Bush, M	1
49	JINPF0302641	Screw	1
50	JINPF03030564	Bracket	1
51	JINPF0302641	Washer	1
52	JINPF0302652	Feed arm	1
53	JINPF0302653	Feed lifting shaft	1
54	JINPF03030554	Bush	1
55	JINPF555029	Screw	3
56	JINPF6150512	Collar	1
57	JINPF55506261	Screw	2
58	JINPF03030558	Bush, L	1
59	JINPF03030559	Upper feed shaft	1
60	JINPF555029	Screw	1
61	JINPF0302643	Roller bearings	1
62	JINPF0302643	carrier ring	1
63	JINPF0302643	Screw	2
64	JINPF03030565	Screw	1
65	Market parts	Pin	2
66	JINPF03030567	Screw	1
67	JINPF03030568	Bush	1

6. Hook mechanism



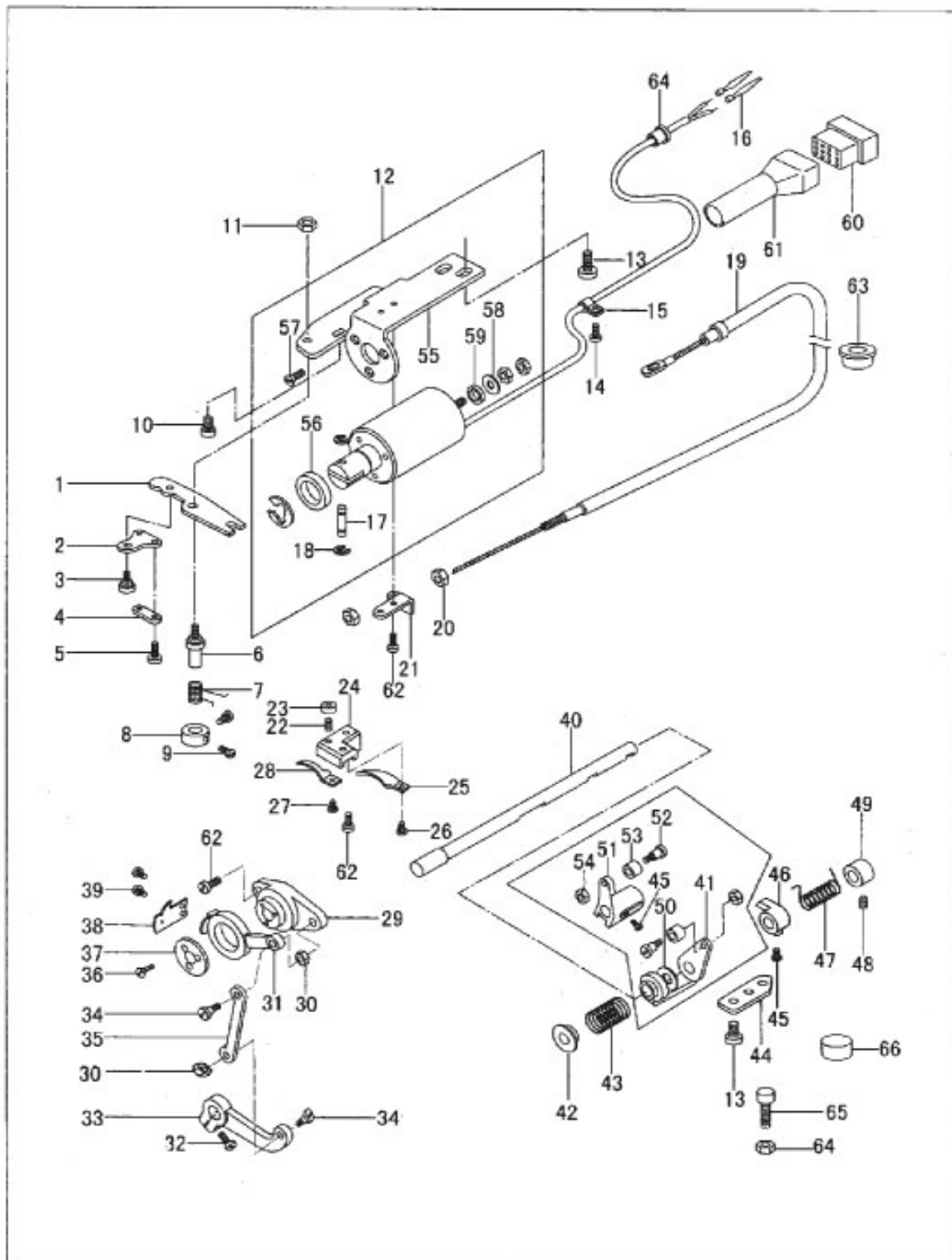
No.	Serial number	NAME OF PARTS	quantity
1	JINPF0302216	Vertical shaft	1
2	JINPF615031902	Bevel gear, upper shaft	1
3		Set screw	8
4	JINPF615032002	Bevel gear, vertical shaft, U	1
5	JINPF615032202	Bevel gear, lower shaft	1
6	JINPF615032302	Bevel gear, vertical shaft, L	1
7	JINPF5550522	Bush, vertical shaft, U	1
8	JINPF5550521	Bush, vertical shaft, L	1
9	JINPF555029	Screw	2
10	JINPF03030610	Bobbin case	1
11	JINPF6150422	Bobbin	1
12	JINPF03030612	Hook assy.	1
13	JINPF0302322	Lower shaft	1
14	JINPF55505901	Filter	1
15	JINPF6150402	Screw	1
16	JINPF03030616	Bush, lower shaft, L	1
17	JINPF6150408	Adjusting screw, oil	1
18	JINPF6150409	Adjusting spring	1
19	JINPF6150404	Collar	2
20	JINPF55506261	Screw	1
21	JINPF6150410	Bush, lower shaft, R	2
22	JINPF555029	Screw	1
23	JINPF6150412	Plunger	1
24	JINPF6150413	Spring	1
25	JINPF6150414	Holder plate	1
26	JINPF6150610	Screw	1
27	JINPF0302344	B/case holder position bracket	1
28	JINPF555056	Screw	1
29	JINPF03030629	Bush, lower shaft, M	1
30		Trimming cam	1
31	Market parts	Washer	1
32	JINPF6150411	Oil tube	1
33	JINPF9990707	Oil seal	1
34	JINPF03030634	Thred shear cam	1
35	JINPF90008103	Screw	2

7. Lubrication mechanism



7. Oil supply and lubrication mechanism			
No.	Serial number	NAME OF PARTS	quantity
1	JINPF030271	Pump body	
2		Big gear, pump	
3		Small gear, pump	
4		Screw	
5		Cover	
6		Throat plate	
7		Filter set	
8	JINPF6150809	Screw	
9	JINPF030271	Shaft	
10	JINPF030271	Screw	
11	JINPF03030711	Setting plate	
12	JINPF6150812	Screw	
13	JINPF6150813	Oil tube, U	
14	JINPF6150814. 15	Tube assy.	
15	JINPF6150816	Return pipe clamp spring	1
17	JINPF03030717	Oil tube	1
18	JINPF6150526	Oil wick	1
19	JINPF6150103	Rubber cap	1
20	JINPF6150104	Rubber cap	4
21	JINPF6150135	Rubber cap	2
22	JINPF6150136	Rubber cap	1
23	JINPF6150146	Rubber cap	1
24	JINPF6150112	Oil gauge window	1
25	JINPF0302149	Back cover	1
26	JINPF03030726	Rubber cap	2
27	JINPF030215001	Packing	1
28	JINPF555016	Screw	8
29	JINPF030215001	Washer	8
30	JINPF03030730	Oil pan	1
31	JINPF555016	Screw	1
32	JINPF030271	Washer	1
33	JINPF03030733	Washer	1
34	JINPF03030734	Oil pan	1

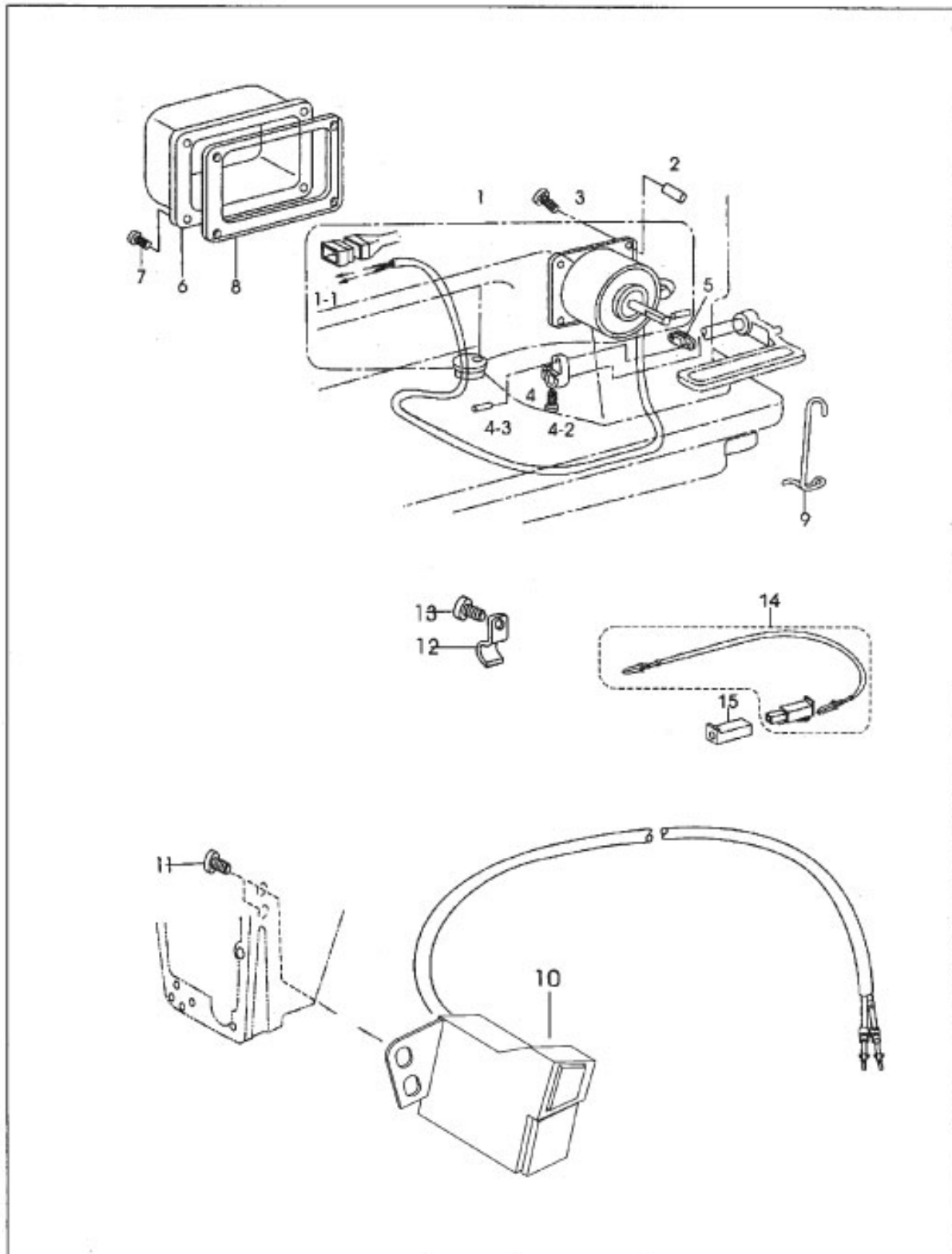
8. Thread trimming mechanism



No.	Serial number	NAME OF PARTS	quantity
1	JINPF0303ZJ011	Driven plate	1
2		Wire support	1
3		Screw	1
4		Link	1
5		Screw	1
6		Screw pin, driven plate	1
7		Spring	1
8		Collar	1
9		Screw	2
10	JINPF03030810	Screw	1
11	JINPF0303ZJ011	Nut	1
12	JINPF0303ZJ011	Thread trimmer solenoid assy	1
13	JINPF0303ZJ011	Screw	4
14		Screw	1
15		Wire holder	1
16	JINPF0303ZJ011	Terminal pin	2
17	JINPF0303ZJ011	Pin	1
18	JINPF0303ZJ011	Retaining ring	2
19	JINPF03030819	Tension release wire	1
20	JINPF03030820	Nut	2
21	JINPF0303ZJ011	Tension release lever	1
22	JINPF03030822	Screw	1
23	JINPF03030823	Nut	1
24	JINPF0303ZJ004	Holder, F-knife	1
25	JINPF03030825	Lower thread finger	1
26	JINPF03030826	Screw	1
27	JINPF03030827	Screw	1
28	JINPF03030828	Fixed knife	1
29	JINPF03030829	Holder, M-knife	1
30	JINPF03030830	Nut	2
31	JINPF03030831	Holder, M-knife, L	1
32	JINBF700S039	Screw	1
33	JINPF03030833	Driven crank	1
34	JINPF03030834	Screw	2
35	JINPF03030835	Link	1
36	JINPF03030836	Screw	3
37	JINPF03030837	Washer	1
38	JINPF03030838	Movable knife	1
39	JINPF03030839	Screw	2
40	JINPF03030840	Thread trimmer cam lever shaft	1
41	JINPF0303ZJ007	Thread trimmer cam lever, R	1
42	JINPF03030842	Collar	1
43	JINPF03030843	Spring	1

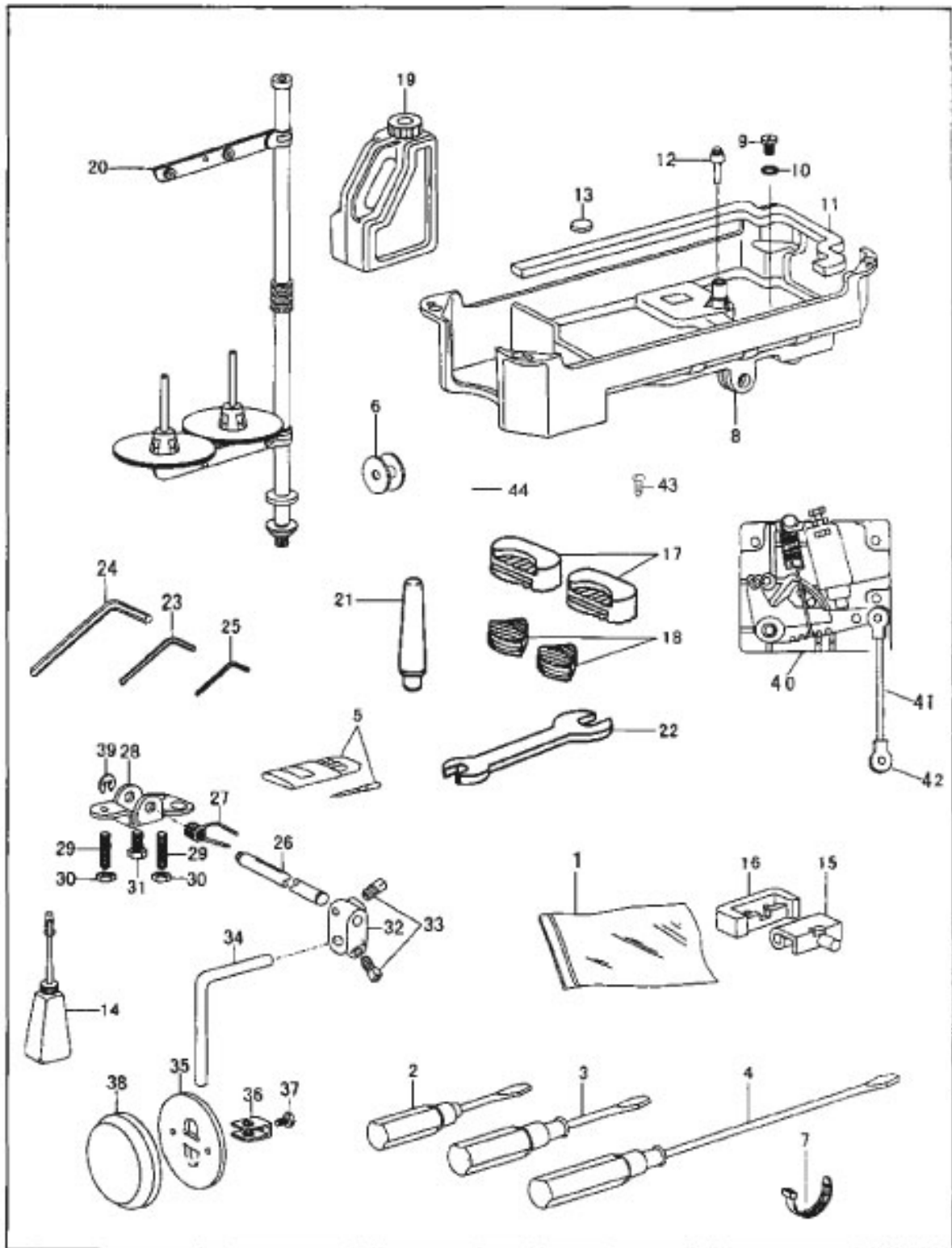
44	JINPF03030844	Stopper plate	1
45	JINPF68425E39	Screw	3
46	JINPF03030846	Positioning block	1
47	JINPF03030847	Spring	1
48		Screw	2
49	JINPF03030849	Collar	1
50	JINPF03030850	Plastic ring	1
51	JINPF03032J006	Thread trimmer cam lever, L	1
52	JINPF03030852	Screw	2
53	JINPF03030853	Roller	2
54	JINPF03030854	Nut	2
55	JINPF03032J011	Thread trimmer solenoid base	1
56	JINPF03032J011	Seal washer, big	1
57	JINPF03032J011	Screw	3
58	JINPF03032J011	Washer	1
59	JINPF03032J011	Seal washer, small	1
60	JINPF90000191	Connector	1
61	JINPF90000192	Cover	1
62		Screw	4
63	JINPF888056D131	Guard	1
64	JINPF0302626	Nut	1
65	JINPF03030865	Screw	1
66	JINPF03030866	Packing	1

9. Reverse stitching mechanism



No.	Serial number	NAME OF PARTS	quantity
1	JINPF0303ZJ012	Quick reverse solenoid assy	1
1-1	JINPF90000191	Terminal pin	2
2	JINPF03030902	Space collar	4
3	JINPF03030903	Screw	4
4-1	JINPF0303ZJ009	Solenoid lever	1
4-2	JINPF90008120	Screw	1
4-3	JINPF0303ZJ009	Pin	1
5	JINPF0303ZJ009	Connecting lever	1
6	JINPF03030906	Solenoid cover	1
7	JINPF555016	Screw	4
8	JINPF03030908	Washer	1
9	JINPF03030909	Cord holder	1
10	JINPF0303ZJ013	Reverse switch assy.	1
11	JINPF5550230	Screw	2
12	JINBF7006M1021	Cord holder	3
13	JINPF5550230	Screw	3
14	JINPF0303ZJ013	Wire, reverse solenoid	1
15	JINPF90000191	Connector	1

10. Accessories



10, attachment			
No.	Serial number	NAME OF PARTS	quantity
1	JINPP5550102301	Accessory bag	1
2	JINPP55501018	Screw driver, S	1
3	JINPP55501017	Screw driver, M	1
4	JINPP55501016	Screw driver, L	1
5	JINPPDTDP1723	Needle	4
6	JINPP0302319	Bobbin	3
7	Market parts	Bobbin thread winder assy.	3
8	JINPP03031008	Screw	1
9	JINPP6150902	Washer	1
10	JINPP555096	Belt guard assy.	1
11	JINPP030284 (85)	Screw	1
12	JINPP5550911	Washer	1
13	JINPP03031013	Screw	1
14	JINPP61501105	Oil pot	1
15	JINPP5550101	Head hinge	2
16	JINPP5550102	Cushion, head hinge	2
17	JINPP555099	Head cushion, L	2
18	JINPP555098	Head cushion, S	2
19	JINPP55501022	Oil tank	1
20	JINPP55501127	Thread stand assy.	1
21	JINPP55501021	Head rest	1
22	JINPP61501109	Wrench	1
23	JINPP03031023	Wrench, 2mm	1
24	JINPP03031024	Wrench, 3mm	1
25	JINPP03031025	V-belt	1
26	JINPP6150906	Lifter shaft	1
27	JINPP6150907	Spring	1
28	JINPP6150908	Bracket	1
29		Adjusting screw	2
30		Adjusting nut	2
31		Screw	1
32	JINPP5550919	Bracket	1
33		Screw	1
34	JINPP5550922	Lifter bar	1
35	JINPP5550923	Knee lifter plate	1
36	JINPP5550926	Stopper	1
37		Screw	1
38	JINPP5550924	Cover, K-lifter plate	1
39	JINPP5550918	Retaining ring	1