

PARTS LIST

MF-7500(D)/UT37 PARTS LIST

下記 URL (PARTS Website/PC サイト) より、便利な検索機能のついた Web Parts Book をご利用頂けます。
ご利用には会員登録が必要です。(無料)

<https://juki.aftama.com/JUKI/JA>

You can use a Web Parts Book with a convenient search function from the URLs (PARTS Website/PC-site)
below. To use the PARTS Website, free membership registration is required.

<https://juki.aftama.com/JUKI/EN>

HOW TO MAKE USE OF THIS PARTS LIST

1.Explanation of codes

1)"*" mark.....means this part is changed from the previous parts book.

As to the details of the change, refer to the "List for information of change".

2)"#01".....refer to "Note" explanation at bottom of page.

2.Codes on the "Qty" column

- Each numeral indicates the number of parts required.
- "0.1" and "2.5" indicate the length (in meters) of the respective parts.

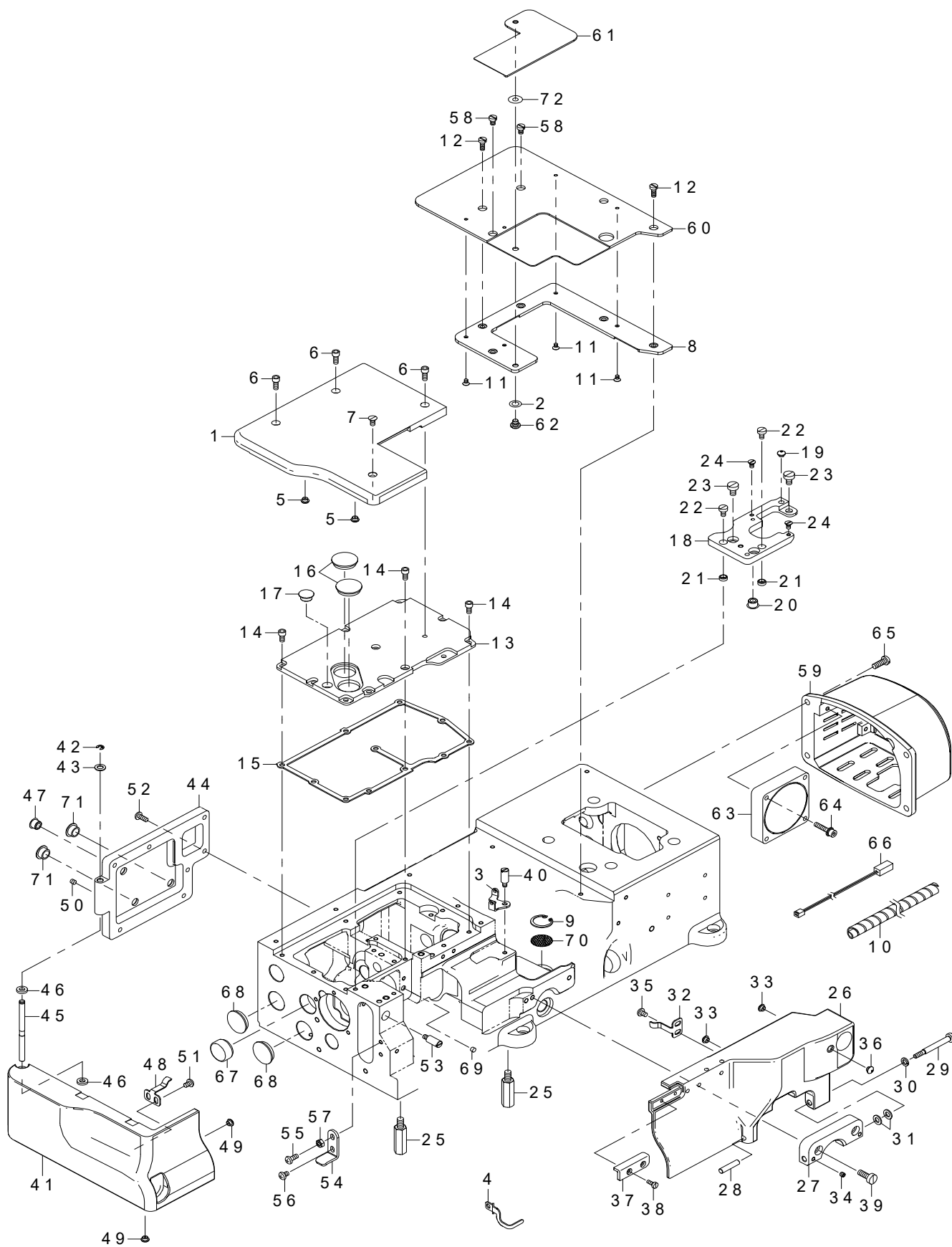
3.Parentheses mean that the corresponding part is a subpart that constructs an assembly part.

4.Dotted lines on the Figures indicate assembly parts.

CONTENTS

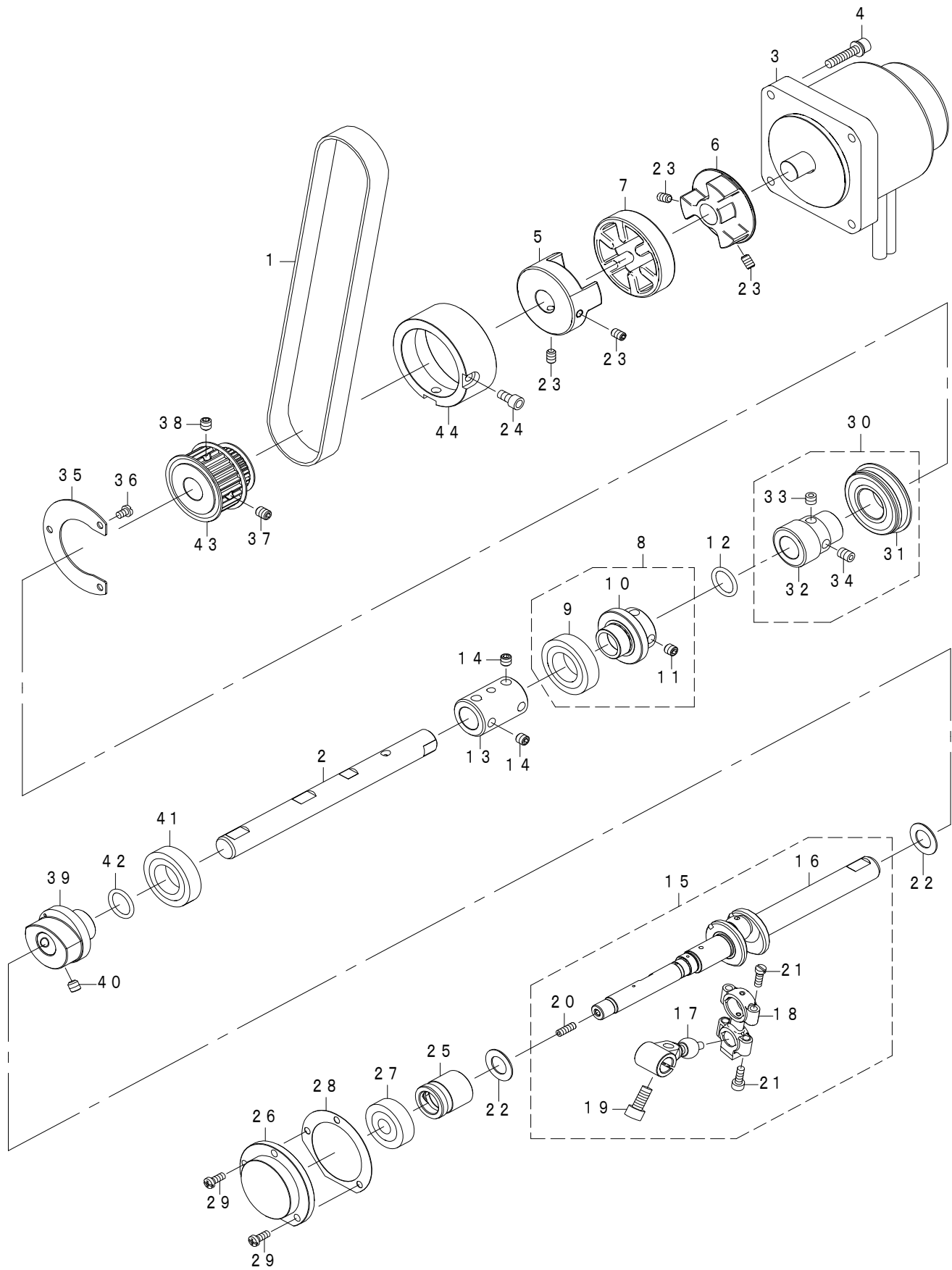
1. MISCELLANEOUS COVER COMPONENTS	1
2. MAIN SHAFT COMPONENTS.....	3
3. THREAD TENSION COMPONENTS.....	5
4. LOOPER THREAD TRIMMER COMPONENTS.....	7
5. PNEUMATIC DRIVE & PRESSER FEED LIFTER COMPONENTS.....	9
6. TOP COVER THREAD TRIMMER COMPONENTS (UT37,UT37A)	11
7. ACCESSORIE PARTS COMPONENTS.....	12
8. LIST FOR INFORMATION OF CHANGE.....	13
NUMERICAL INDEX OF PARTS.....	14

1. MISCELLANEOUS COVER COMPONENTS



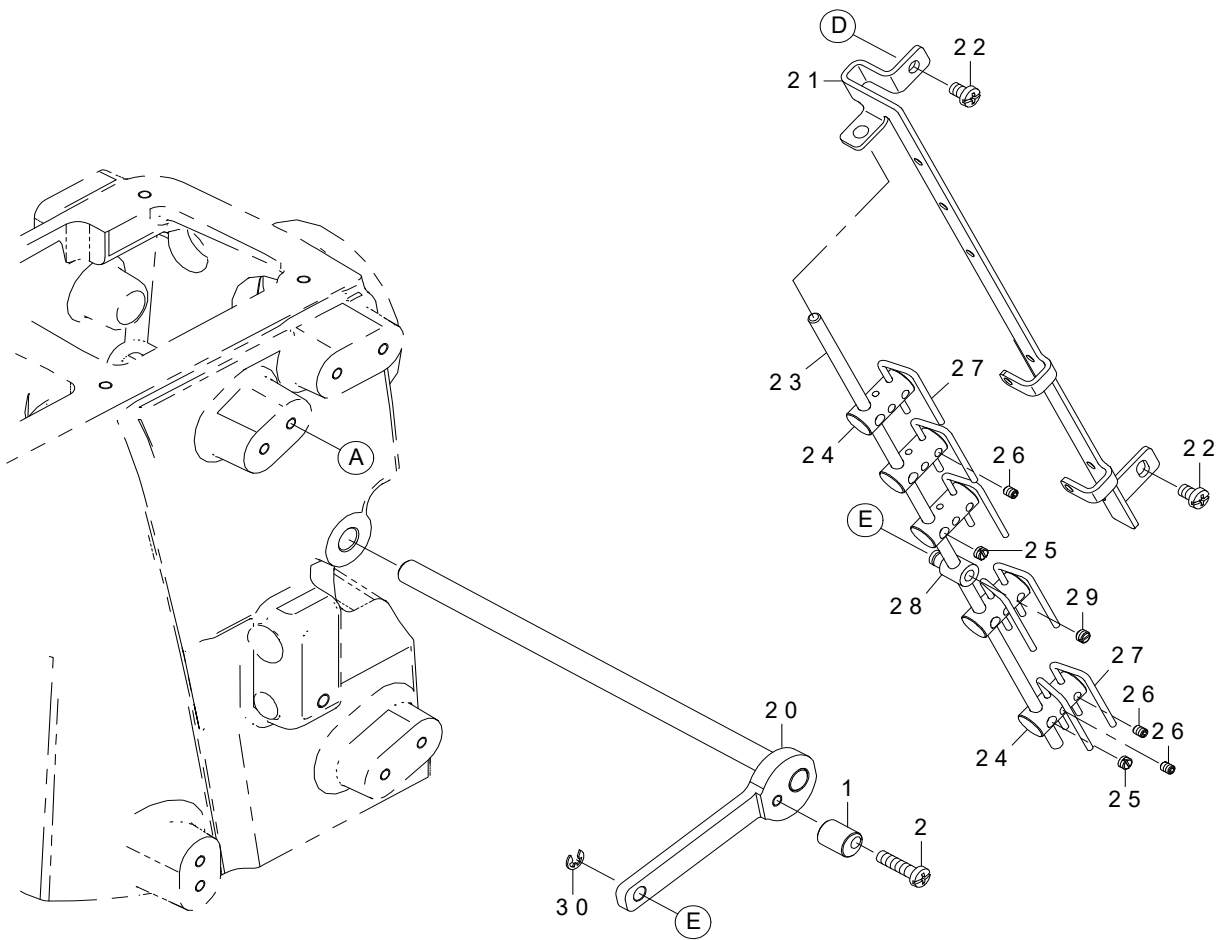
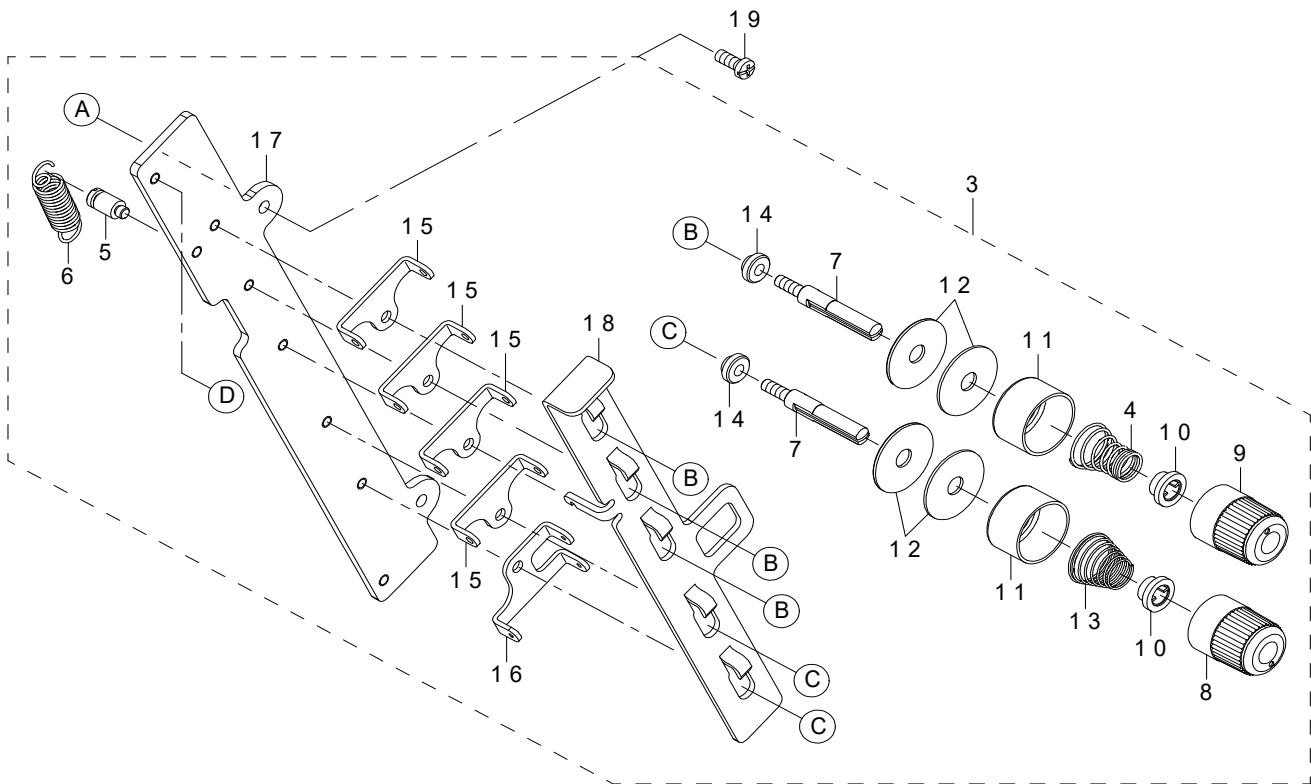
REF.NO	NOTE	PART NO	DESCRIPTION	Qty
1		700-01420	CLOTH_PLATE_LEFT	1
2		WZ-0641510-KP	WAVED WASHER 6.4X11X0.3	1
3		700-01823	THREAD_GUIDE_UT	1
4		700-01484	FINGER_GUARD	1
5		133-02302	RUBBER BUMPER	2
6		SM-6041002-TP	SCREW M4X0.7 L=10	3
7		SM-1040800-SP	SCREW	1
8		700-01825	CLOTH_PLATE_RIGHT_BOTTOM	1
9		RC-1900002-KP	C-RING	1
10		HX-0031400-0D	SPIRAL TUBE	0.7
11		SM-1030501-SN	SCREW	4
12		SM-6041000-SP	SCREW M4 L=10	2
13		700-01415	BED_TOP_COVER	1
14		SM-6040800-SP	SCREW	11
15		700-01423	GASKET_B	1
16		TA-2050416-R0	RUBBER PLUG	2
17		TA-1050504-R0	RUBBER PLUG	1
18		700-01424	THROAT_PLATE_SUPPORT	1
19		133-02302	RUBBER BUMPER	1
20		TA-0850604-R0	RUBBER PLUG	1
21		400-82196	ADJUSTING COLLAR	2
22		SM-6040750-TP	SCREW M4 L=7	2
23		SM-6050800-SP	SCREW M5 L=8	3
24		133-02203	SCREW	2
25		133-01809	SUPPORT STUD	4
26		700-01426	SWING_DOWN_COVER	1
27		700-01431	HINGE	1
28		134-09800	DIFF_LINK_PIN	1
29		700-01414	SCREW	1
30		WS-0510002-KP	SPRING WASHER 5.1X9.2X1.3	1
31		WP-0531000-SC	WASHER 5.3X10X1	2
32		133-04308	LATCH SPRING	1
33		133-02302	RUBBER BUMPER	2
34		SM-8040412-TP	SET SCREW M4 L=4	2
35		SM-4040655-SP	SCREW M4 L=6	2
36		133-02302	RUBBER BUMPER	1
37		400-99371	BRACKET	1
38		SM-6030800-SP	SCREW M3X0.5 L=8	2
39		SM-6051400-SP	SCREW	2
40		133-02104	PIN	1
41		700-01418	SIDE_COVER	1
42		RE-0300000-K0	E-RING 3	1
43		WP-0550800-SP	WASHER 5.5X10X0.8	1
44		700-01659	FEED_CHAMBER_COVER	1
45		133-05107	PIN_FOR_SIDE_COVER	1
46		133-02708	RUBBER WASHER	2
47		TA-0850604-R0	RUBBER PLUG	1
48		133-04308	LATCH SPRING	1
49		133-02302	RUBBER BUMPER	2
50		SM-8040412-TP	SET SCREW M4 L=4	1
51		SM-4040555-SP	SCREW	2
52		SM-4041055-SP	SCREW	7
53		133-02104	PIN	1
54		133-04209	SUPPORT BRACKET	1
55		SM-4041055-SP	SCREW	1
56		SM-4040655-SP	SCREW M4 L=6	1
57		NM-6040000-SN	NUT M4	1
58		SM-6040600-SP	SCREW M4 L=6	3
59		700-01413	MOTOR_COVER	1
60		700-01818	CLOTH_PLATE_RIGHT_UPPER	1
61		700-01826	SLIDE_COVER	1
62		SD-0640216-TP	SHOULDER SCREW	1
63		401-19461	HEAD FAN MOTOR A ASSY	1
64		SL-6042092-TN	SCREW M4 L=20	2
65		SM-4051455-SP	SCREW M5 L=14	4
66		700-01457	FAN_CORD_ASSY	1
67		TA-2101002-R0	RUBBER PLUG	1
68		TA-2050416-R0	RUBBER PLUG	2
69		TA-0400301-M0	PLUG D=4X4.5 L=3	1
70		134-26903	MESH PLATE	1
71		TA-1050504-R0	RUBBER PLUG	2
72		700-01428	WASHER	1

2. MAIN SHAFT COMPONENTS



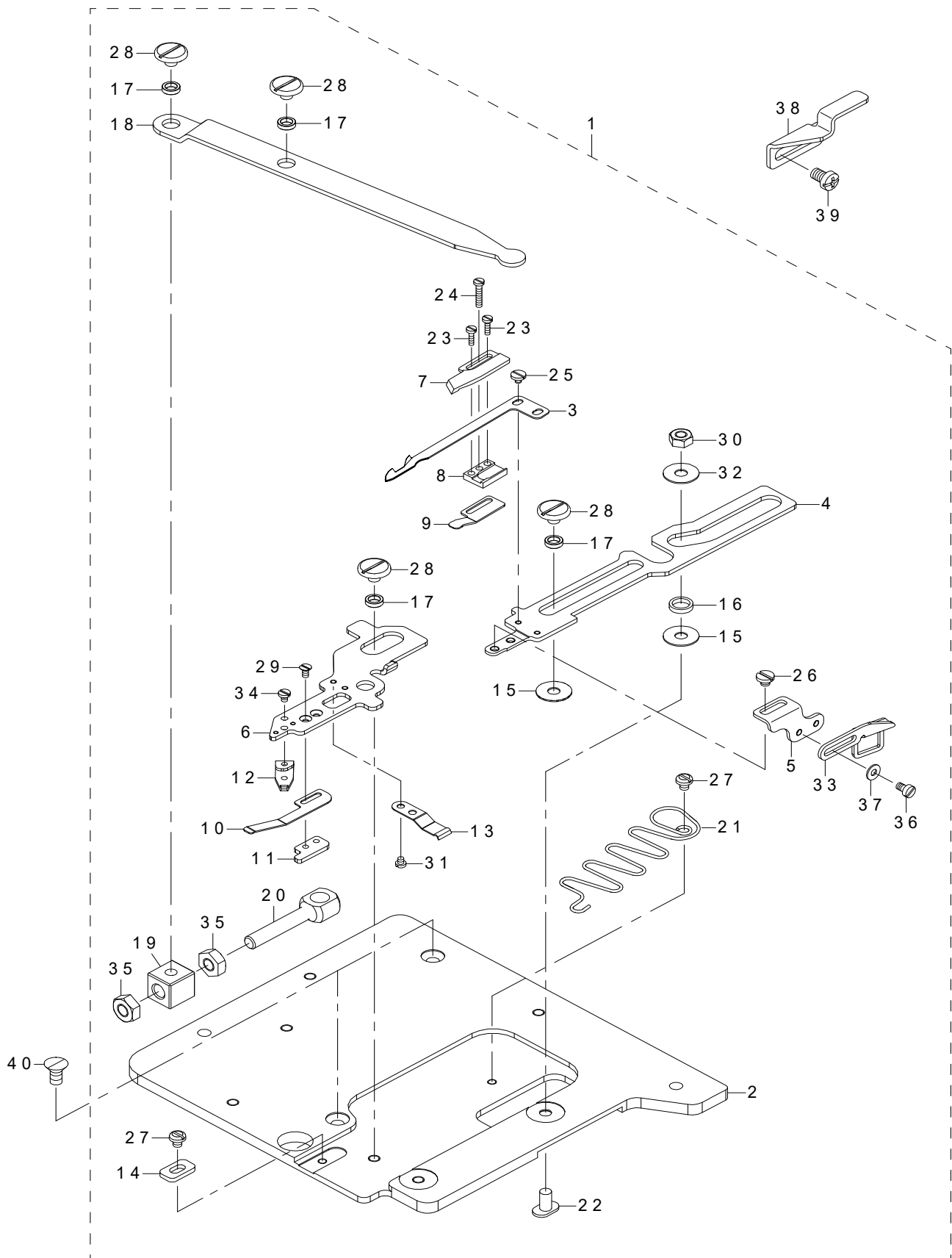
REF.NO	NOTE	PART NO	DESCRIPTION	Qty
1		133-08804	TIMING BELT	1
2		700-01455	LOWER MAINSHAFT_RIGHT_DD	1
3		401-18009	SERVO MOTOR	1
4		SL-6052592-TN	BOLT	4
5		401-12105	HUB_L	1
6		401-12106	HUB_R	1
7		401-12107	SPIDER	1
8		133-08457	BEARING_ASSY_C	1
9		SB-1200015-00	BEARING	(1)
10		400-18922	COUPLING_C	(1)
11		SM-8060612-TP	SCREW M6 L=6	(2)
12		RO-1482402-00	RUBBER RING	1
13		133-07509	JOINT	1
14		SM-8060612-TP	SCREW M6 L=6	4
15	*	700-04630	LMS_LEFT_ASSY	1
16	*	700-04631	LOWER MAINSHAFT_LEFT	(1)
17	*	700-04633	LOOPER_DRIVE	(1)
18	*	700-04632	LOOPER_ROD_DRIVE	(1)
19		SM-6061402-TP	SCREW M6 L=14	(1)
20		SM-8040412-TP	SET SCREW M4 L=4	(1)
21		133-24108	SCREW	(4)
22	*	400-17824	LOOPER LOD STOPPER	2
23		SM-8050412-TP	SCREW M5 L=4	4
24		SM-6051002-TP	SCREW M5X0.8 L=10	2
25		700-01447	BUSHING_LMS_MIDDLE	1
26		700-01448	BUSHING_LMS_LEFT	1
27		SB-1100023-00	BEARING	1
28		133-08705	GASKET FOR BUSHING LEFT	1
29		SM-4041055-SP	SCREW	3
30		700-03278	LMS_WORM_ASSY	1
31		700-01458	BEARING	(1)
32		133-08507	COUPLING D	(1)
33		SM-8060842-TP	SCREW M6 L=8	(1)
34		SM-8060552-TP	SCREW M6 L=5	(1)
35		700-01451	THRUST_PLATE	1
36		SM-4040655-SP	SCREW M4 L=6	3
37		SM-8060812-TP	SCREW M6 L=8	1
38		SM-8060842-TP	SCREW M6 L=8	1
39		700-01453	BEARING HOLDER	1
40		SM-8060612-TP	SCREW M6 L=6	2
41		SB-1200015-00	BEARING	1
42		RO-1482402-00	RUBBER RING	1
43		700-04184	LMS_SPROCKET	1
44		700-03317	FLY_WHEEL_FOR_DD	1

3. THREAD TENSION COMPONENTS



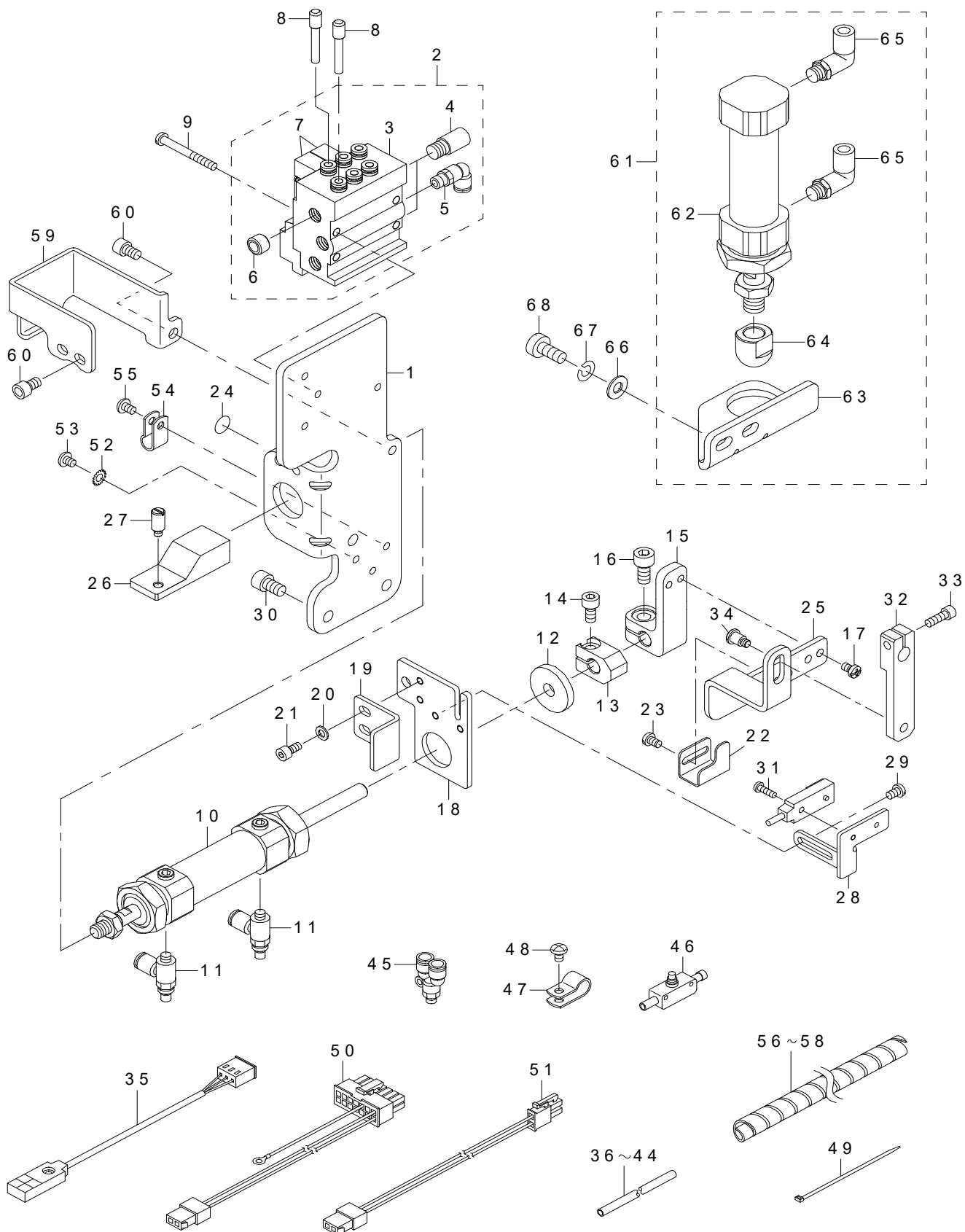
REF.NO	NOTE	PART NO	DESCRIPTION	Qty
1		400-65785	TENS_RELEASE_ADJ_ECC	1
2		SM-4041655-SP	SCREW M4 L=16	1
3		700-01612	THREAD_TENSION_ASSY	1
4		131-40504	TENSION_SPRING	(3)
5		133-40302	SHOULDER SCREW	(1)
6		260-19000	THREAD TENSION SPRING	(1)
7		700-01620	TENSION_POST	(5)
8		400-42363	KNOB	(2)
9		400-42364	KNOB GREEN	(3)
10		400-42365	SPRING BUSHING	(5)
11		400-42366	THREAD TENSION DISK PRESSER	(5)
12		401-01602	THREAD_TENSION_DISC	(10)
13		401-02003	SPRING	(2)
14		700-01617	SPACER	(5)
15		700-01615	TENSION_DISC_EYELET_A	(4)
16		700-01616	TENSION_DISC_EYELET_B	(1)
17		700-01613	TENSION_POST_SUPPORT	(1)
18		700-01614	TENSION_DISC_SEPARATOR	(1)
19		SM-4041055-SP	SCREW	2
20		700-01618	PULL_OFF_LEVER_ASSY	1
21		700-01621	THREAD_GUIDE	1
22		SM-4040655-SP	SCREW M4 L=6	2
23		134-56108	PULL_OFF_BAR	1
24		134-56207	THD_P_O_HOOK_GUIDE	5
25		SM-8040360-TP	SCREW	5
26		SM-8030412-TP	SCREW	7
27		134-56603	THD_PULL_OFF_HOOK	7
28		134-56405	THD_PULL_OFF_BAR HOLDER	1
29		SM-8040360-TP	SCREW	1
30		RE-0300000-K0	E-RING 3	1

4. LOOPER THREAD TRIMMER COMPONENTS



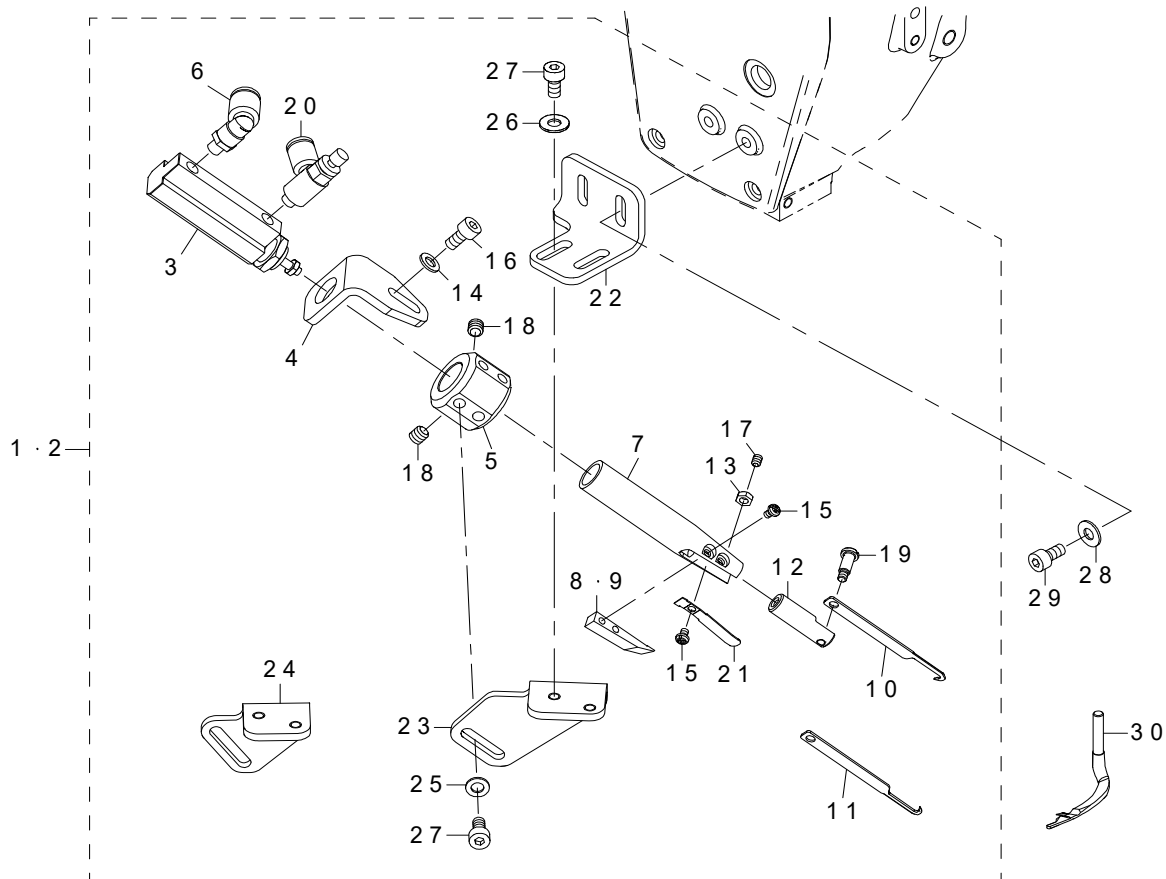
REF.NO	NOTE	PART NO	DESCRIPTION	Qty
1		700-01815	UNDER_TRIMMER_ASSY	1
2		700-01817	CLOTH_PLATE_RIGHT_UT	(1)
3		400-86274	LOWER_KNIFE	(1)
4		700-01821	LOWER_KNIFE HOLDER	(1)
5		700-01824	TAKE_UP_UT_BRACKET	(1)
6		700-01820	KNIFE_GUIDE HOLDER	(1)
7		400-86277	UPPER_KNIFE	(1)
8		400-86278	LOWER_KNIFE_GUIDE	(1)
9		400-86279	KNIFE_SPRING	(1)
10		400-86280	THREAD_CLAMP	(1)
11		400-86282	PLATE	(1)
12		400-86308	TENSION_LEVER	(1)
13		134-41902	LEAF_SPRING-2	(1)
14		400-86290	STOPPER	(1)
15		WP-0420516-KH	THRUST WASHER 4.2	(2)
16		400-86292	COLLAR_D8	(1)
17		400-86293	COLLAR_D6	(4)
18		700-01816	LEVER	(1)
19		400-86295	CONNECTING_BLOCK_A	(1)
20		400-86296	CONNECTING_BLOCK_B	(1)
21		134-40409	SPRING_FOR_UT	(1)
22		400-70110	SCREW	(1)
23		400-86298	SCREW_M1.6L6	(2)
24		400-86299	SCREW_M2L10	(1)
25		400-86300	SCREW_M2L2.3	(2)
26		SM-6030350-SN	SCREW_M3 L=2.5	(2)
27		400-86302	SCREW_M3L3	(2)
28		400-86303	SCREW_M4X0.5L4	(4)
29		SM-1020450-TP	SCREW M2 L=4	(2)
30		NM-6040001-SP	NUT M4X0.7	(1)
31		SM-6020250-TP	SCREW.	(2)
32		WP-0431005-SP	PLAIN WASHER 4.3X12X1	(1)
33		700-01822	THREAD_TAKE_UP_UT	(1)
34		SM-6020350-SP	SCREW M2 L=2.5	(1)
35		NM-6050001-SP	NUT M5	(2)
36		SM-6850400-SP	SCREW M2.5 L=4	(2)
37		WP-0250516-SD	WASHER 2.5X6X0.5	(2)
38		700-01827	UT_GUIDE	1
39		SM-4040655-SP	SCREW M4 L=6	2
40		SM-1040800-SP	SCREW	2

5. PNEUMATIC DRIVE & PRESSER FEED LIFTER COMPONENTS



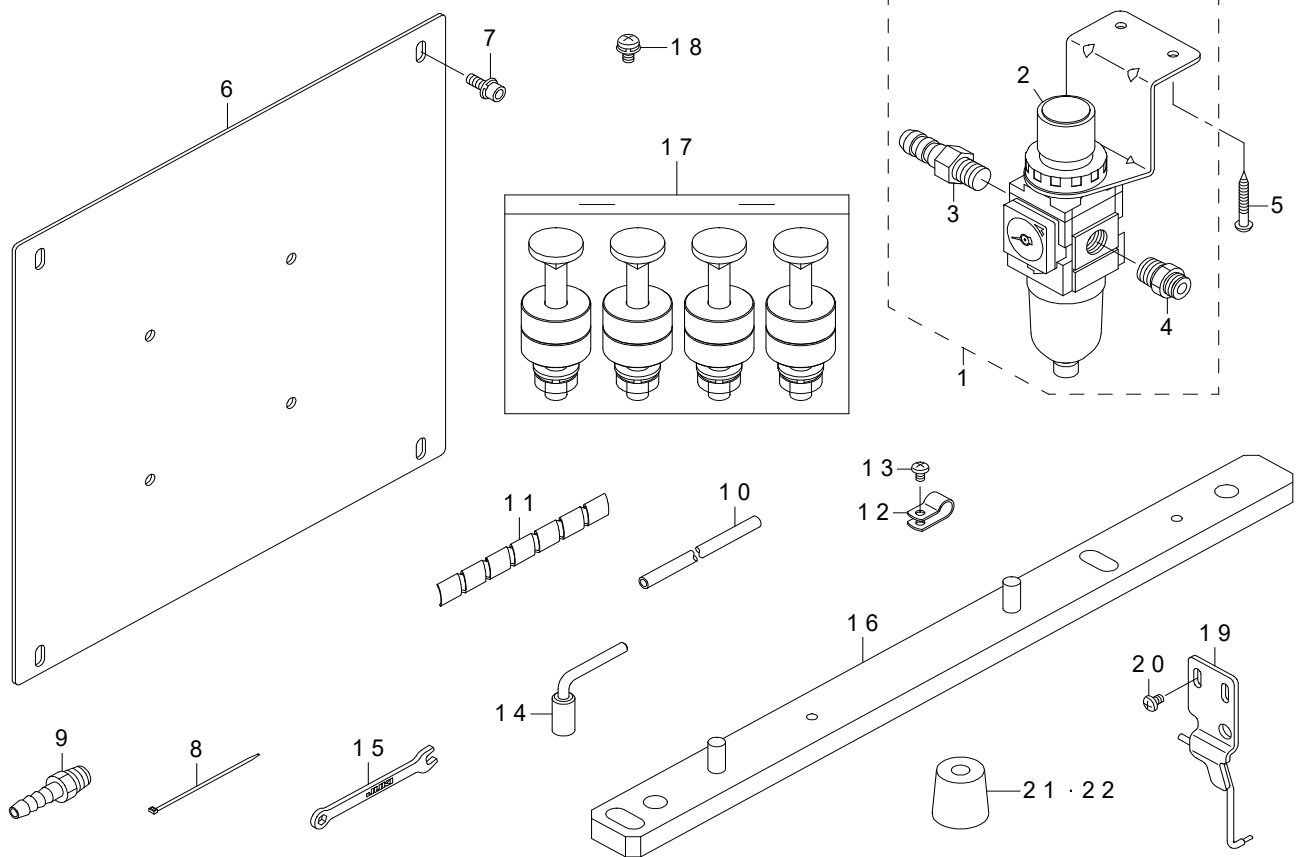
REF.NO	NOTE	PART NO	DESCRIPTION	Qty
1		134-42504	AIR_CYLINDER_BRACKET	1
2		400-72396	MANIFOLD_VALVE_ASSY	1
3		PV-0351610-00	MANIFOLD	(1)
4		PX-0551040-00	SILENCER (PT1/8)	(2)
5		PJ-3040651-01	ELBOW UNION 6XPT1/8	(1)
6		PJ-0251000-02	PLUG R1/8	(3)
7		PJ-0251000-02	PLUG R1/8	(2)
8		PX-5000140-00	PLUG	2
9		SM-4043555-SP	SCREW	2
10		PA-2001802-A0	AIR CYLINDER	1
11		PC-0105080-00	SPEED CONTROLLER	2
12		134-43601	WASHER	1
13		134-42900	COLLAR	1
14		SM-6051002-TP	SCREW M5X0.8 L=10	1
15		134-43007	PLATE HOLDER	1
16		SM-6061202-TP	SCREW M6 L=12	1
17		SM-4040655-SP	SCREW M4 L=6	2
18		700-01776	SENSOR HOLDER	1
19		700-01778	SUPPORT_PLATE_UT	1
20		WP-0430800-SC	WASHER M4	2
21		SM-6040802-TP	SCREW M4X0.7 L=8	2
22		134-43205	SWITCH_PLATE	1
23		SM-4040655-SP	SCREW M4 L=6	2
24		229-01805	GROUND MARK	1
25		400-19322	TENS_RELEASE_PLATE_UT	1
26		134-42603	PLUNGER	1
27		134-42702	PIN	1
28		700-01777	SENSOR HOLDER	1
29		SM-4040655-SP	SCREW M4 L=6	2
30		SM-6061002-TP	SCREW M6 L=10	3
31		SM-4031001-SN	SCREW	1
32		700-01479	TENSION_RELEASE_LEVER	1
33		SM-6041202-TP	SCREW M4X0.7 L=12	1
34		SD-0700706-TP	SHOULDER SCREW	1
35		400-21746	UNDER_TRIMMER_SENSOR_CABLE_ASM	1
36		BT-0400251-EB	URETHANE TUBE BLACK 4X2.5	0.27
37		BT-0400251-EB	URETHANE TUBE BLACK 4X2.5	0.32
38		BT-0400251-EB	URETHANE TUBE BLACK 4X2.5	0.08
39		BT-0400251-EB	URETHANE TUBE BLACK 4X2.5	0.08
40		BT-0400251-EB	URETHANE TUBE BLACK 4X2.5	0.42
41		BT-0400251-EB	URETHANE TUBE BLACK 4X2.5	0.23
42		BT-0400251-EB	URETHANE TUBE BLACK 4X2.5	0.63
43		BT-0400251-EB	URETHANE TUBE BLACK 4X2.5	0.3
44		BT-0400251-EB	URETHANE TUBE BLACK 4X2.5	0.22
45		PJ-3080400-06	UNION	2
46		PC-0124010-00	SPEED CONTROLLER	1
47		HX-0015000-0C	CABLE CLAMP	2
48		SM-4040655-SP	SCREW M4 L=6	2
49		EA-9500B01-00	CABLE BAND	3
50		400-27211	UNDER_TRIMMER_CABLE_B_ASM	1
51		400-27213	LIFT_UP_CABLE_B_ASM	1
52		WT-0430002-KN	WASHER M4	1
53		SM-4040501-SN	SCREW M4X0.7 L=5	1
54		HX-0015000-0B	CABLE CLAMP	1
55		SM-4040655-SP	SCREW M4 L=6	1
56		HX-0031400-00	SPIRAL TUBE	0.96
57		HX-0031400-0D	SPIRAL TUBE	0.12
58		HX-0031400-0D	SPIRAL TUBE	0.1
59		400-69703	SOLENOIDE_COVER	1
60		SM-6050802-TP	SCREW M5X0.8 L=8	3
61		400-18079	PNEUMATIC_P_F_LIFTER_ASSY	1
62		PA-2503004-A0	AIR CYLINDER	(1)
63		134-55001	AIR_CYLINDER_BRACKET	(1)
64		134-55100	AIR_CYLINDER_CAP	(1)
65		PJ-3040451-02	ELBOW UNION_C	(2)
66		WP-0621016-SD	WASHER 6.2X13X1	2
67		WS-0610002-KP	SPRING WASHER	2
68		SM-6061400-SP	SCREW M6 L=14	2

6. TOP COVER THREAD TRIMMER COMPONENTS (UT37,UT37A)



REF.NO	NOTE	PART NO	DESCRIPTION	Qty
1		700-01788	U_L_THREAD_TRIMMER_ASSY	1
2	#01	700-02246	U_L_THREAD_TRIMMER_ASSY(TURKEY)	1
3		PA-0602006-A0	AIR CYLINDER	(1)
4		134-59300	AIR_CYLINDER_BRACKET	(1)
5		134-58203	COLLAR	(1)
6		PJ-3040405-04	UNION	(1)
7		700-01781	KNIFE HOLDER	(1)
8		134-58500	LOWER KNIFE	(1)
9	#01	400-29004	FIXED KNIFE	(1)
10		400-65510	MOVING KNIFE	(1)
11	#01	700-01791	MOVING KNIFE	(1)
12		700-01780	MOVING_KNIFE HOLDER	(1)
13		NM-6030250-SC	NUT M3X0.5	(1)
14		WP-0430800-SC	WASHER M4	(2)
15		SM-4850455-SP	SCREW	(3)
16		SM-6040802-TN	SCREW	(2)
17		SM-8030450-SP	SCREW M3 L=4	(1)
18		SM-8050512-TP	SCREW	(2)
19		700-01782	SHOULDER SCREW	(1)
20		PC-0105080-00	SPEED CONTROLLER	(1)
21		134-58401	SPRING	(1)
22		700-01783	BRACKET_2	(1)
23		700-01784	BRACKET	(1)
24	#01	700-01790	BRACKET_FOR_TURKEY	(1)
25		WP-0430800-SC	WASHER M4	(2)
26		WP-0450826-SC	WASHER 4.5X10X0.8	(2)
27		SM-6040802-TN	SCREW	(4)
28		WP-0450826-SC	WASHER 4.5X10X0.8	2
29		SM-6040802-TN	SCREW	2
30	#01	700-01563	UPPER_LOOPER	1
		NOTE	#01....FOR TURKEY (UT37A)	

7. ACCESSORIE PARTS COMPONENTS



REF.NO	NOTE	PART NO	DESCRIPTION	Qty
1		400-18052	FILTER_REGULATOR_ASSY	1
2		PF-0552070-C0	FILTER GEGULATOR	(1)
3		F1021-003-000	HOSE JOINT	(1)
4		PJ-3010652-01	HALF UNION 6XPT1/4	(1)
5		SK-3452001-SE	WOOD SCREW D=4.5 L=20	2
6		400-94198	SC_BRACKET	1
7		SL-6051492-TN	BOLT	4
8		EA-9500B01-00	CABLE BAND	3
9		PJ-0325260-01	HOSE NIPPLE	1
10		BT-0600401-EB	URETHANE TUBE BLACK 6X4	2
11		HX-0031400-0A	SPIRAL TUBE	0.6
12		HX-0015000-0C	CABLE CLAMP	1
13		SM-4040655-SP	SCREW M4 L=6	1
14		400-73360	WRENCH	1
15		131-60106	SPANNER (5X6)	1
16		700-01843	SUPPORT_PLATE_ASSY	2
17		133-48966	ASSY_BOLT_SET	1
18		SL-4051091-SC	SCREW M5X0.8 L=10	4
19		700-01785	AIR_BLOW_WIPER_ASSY	1
20		SM-4040655-SP	SCREW M4 L=6	2
21		400-72505	ISOLATOR	2
22		131-55403	ISOLATOR	2

8. LIST FOR INFORMATION OF CHANGE

As to the place changed, refer to the corresponding Rev. No.
 When previous parts (Obsolated part) and new parts (Added parts) are not interchangeable with each other:
 In this case, even obsolated parts (D.) can be ordered with the obsolated part number, so select the parts with changed dates and place your orders.

変更箇所は、該当 Rev. No. 版をご参照ください。
 部品の互換性がない変更の場合は、削除された品番でも、ご注文できます。

No. 1603-02・・・Rev. No.

*A: Added parts追加部品/D: Obsolated parts削除部品/E: Erratum訂正

*	Rev. No.	Page 頁	Ref. No.	Parts No. 品番	*	Rev. No.	Page 頁	Ref. No.	Parts No. 品番
D	01	4	15	700-01446	A	02	4	15	700-04630
D	01	4	16	700-01434	A	02	4	16	700-04631
D	01	4	17	700-01600	A	02	4	17	700-04633
D	01	4	18	700-01599	A	02	4	18	700-04632
					A	02	4	22	400-17824
D	01	4	19	133-37100					
D	01	4	20	SM-4051055-SP					
D	01	4	24	WS-0510002-KP					

NUMERICAL INDEX OF PARTS

PART NO	PAGE	REF NO	PART NO	PAGE	REF NO	PART NO	PAGE	REF NO	PART NO	PAGE	REF NO
BT-0400251-EB	10	36	SM-4040655-SP	6	22	WP-0531000-SC	2	31	400-72396	10	2
BT-0400251-EB	10	37	SM-4040655-SP	8	39	WP-0550800-SP	2	43	400-72505	12	21
BT-0400251-EB	10	38	SM-4040655-SP	10	17	WP-0621016-SD	10	66	400-73360	12	14
BT-0400251-EB	10	39	SM-4040655-SP	10	23	WS-0510002-KP	2	30	400-82196	2	21
BT-0400251-EB	10	40	SM-4040655-SP	10	29	WS-0610002-KP	10	67	400-86274	8	3
BT-0400251-EB	10	41	SM-4040655-SP	10	48	WT-0430002-KN	10	52	400-86277	8	7
BT-0400251-EB	10	42	SM-4040655-SP	10	55	WZ-0641510-KP	2	2	400-86278	8	8
BT-0400251-EB	10	43	SM-4040655-SP	12	13				400-86279	8	9
BT-0400251-EB	10	44	SM-4040655-SP	12	20	131-40504	6	4	400-86280	8	10
BT-0600401-EB	12	10	SM-4041055-SP	2	52	131-55403	12	22	400-86282	8	11
			SM-4041055-SP	2	55	131-60106	12	15	400-86290	8	14
EA-9500B01-00	10	49	SM-4041055-SP	4	29	133-01809	2	25	400-86292	8	16
EA-9500B01-00	12	8	SM-4041055-SP	6	19	133-02104	2	40	400-86293	8	17
			SM-4041655-SP	6	2	133-02104	2	53	400-86295	8	19
F1021-003-000	12	3	SM-4043555-SP	10	9	133-02203	2	24	400-86296	8	20
			SM-4051455-SP	2	65	133-02302	2	5	400-86298	8	23
HX-0015000-0B	10	54	SM-4850455-SP	11	15	133-02302	2	19	400-86299	8	24
HX-0015000-0C	10	47	SM-6020250-TP	8	31	133-02302	2	33	400-86300	8	25
HX-0015000-0C	12	12	SM-6020350-SP	8	34	133-02302	2	36	400-86302	8	27
HX-0031400-0A	12	11	SM-6030350-SN	8	26	133-02302	2	49	400-86303	8	28
HX-0031400-0D	2	10	SM-6030800-SP	2	38	133-02708	2	46	400-86308	8	12
HX-0031400-0D	10	57	SM-6040600-SP	2	58	133-04209	2	54	400-94198	12	6
HX-0031400-0D	10	58	SM-6040750-TP	2	22	133-04308	2	32	400-99371	2	37
HX-0031400-00	10	56	SM-6040800-SP	2	14	133-04308	2	48	401-01602	6	12
			SM-6040802-TN	11	16	133-05107	2	45	401-02003	6	13
NM-6030250-SC	11	13	SM-6040802-TN	11	27	133-07509	4	13	401-12105	4	5
NM-6040000-SN	2	57	SM-6040802-TN	11	29	133-08457	4	8	401-12106	4	6
NM-6040001-SP	8	30	SM-6040802-TP	10	21	133-08507	4	32	401-12107	4	7
NM-6050001-SP	8	35	SM-6041000-SP	2	12	133-08705	4	28	401-18009	4	3
			SM-6041002-TP	2	6	133-08804	4	1	401-19461	2	63
PA-0602006-A0	11	3	SM-6041202-TP	10	33	133-24108	4	21			
PA-2001802-A0	10	10	SM-6050800-SP	2	23	133-40302	6	5	700-01413	2	59
PA-2503004-A0	10	62	SM-6050802-TP	10	60	133-48966	12	17	700-01414	2	29
PC-0105080-00	10	11	SM-6051002-TP	4	24	134-09800	2	28	700-01415	2	13
PC-0105080-00	11	20	SM-6051002-TP	10	14	134-26903	2	70	700-01418	2	41
PC-0124010-00	10	46	SM-6051400-SP	2	39	134-40409	8	21	700-01420	2	1
PF-0552070-C0	12	2	SM-6061002-TP	10	30	134-41902	8	13	700-01423	2	15
PJ-0251000-02	10	6	SM-6061202-TP	10	16	134-42504	10	1	700-01424	2	18
PJ-0251000-02	10	7	SM-6061400-SP	10	68	134-42603	10	26	700-01426	2	26
PJ-0325260-01	12	9	SM-6061402-TP	4	19	134-42702	10	27	700-01428	2	72
PJ-3010652-01	12	4	SM-6850400-SP	8	36	134-42900	10	13	700-01431	2	27
PJ-3040405-04	11	6	SM-8030412-TP	6	26	134-43007	10	15	700-01447	4	25
PJ-3040451-02	10	65	SM-8030450-SP	11	17	134-43205	10	22	700-01448	4	26
PJ-3040651-01	10	5	SM-8040360-TP	6	25	134-43601	10	12	700-01451	4	35
PJ-3080400-06	10	45	SM-8040360-TP	6	29	134-55001	10	63	700-01453	4	39
PV-0351610-00	10	3	SM-8040412-TP	2	34	134-55100	10	64	700-01455	4	2
PX-0551040-00	10	4	SM-8040412-TP	2	50	134-56108	6	23	700-01457	2	66
PX-5000140-00	10	8	SM-8040412-TP	4	20	134-56207	6	24	700-01458	4	31
			SM-8050412-TP	4	23	134-56405	6	28	700-01479	10	32
RC-1900002-KP	2	9	SM-8050512-TP	11	18	134-56603	6	27	700-01484	2	4
RE-0300000-K0	2	42	SM-8060552-TP	4	34	134-58203	11	5	700-01563	11	30
RE-0300000-K0	6	30	SM-8060612-TP	4	11	134-58401	11	21	700-01612	6	3
RO-1482402-00	4	12	SM-8060612-TP	4	14	134-58500	11	8	700-01613	6	17
RO-1482402-00	4	42	SM-8060612-TP	4	40	134-59300	11	4	700-01614	6	18
			SM-8060812-TP	4	37				700-01615	6	15
SB-1100023-00	4	27	SM-8060842-TP	4	33	229-01805	10	24	700-01616	6	16
SB-1200015-00	4	9	SM-8060842-TP	4	38	260-19000	6	6	700-01617	6	14
SB-1200015-00	4	41							700-01618	6	20
SD-0640216-TP	2	62	TA-0400301-M0	2	69	400-17824	4	22	700-01620	6	7
SD-0700706-TP	10	34	TA-0850604-R0	2	20	400-18052	12	1	700-01621	6	21
SK-3452001-SE	12	5	TA-0850604-R0	2	47	400-18079	10	61	700-01659	2	44
SL-4051091-SC	12	18	TA-1050504-R0	2	17	400-18922	4	10	700-01776	10	18
SL-6042092-TN	2	64	TA-1050504-R0	2	71	400-19322	10	25	700-01777	10	28
SL-6051492-TN	12	7	TA-2050416-R0	2	16	400-21746	10	35	700-01778	10	19
SL-6052592-TN	4	4	TA-2050416-R0	2	68	400-27211	10	50	700-01780	11	12
SM-1020450-TP	8	29	TA-2101002-R0	2	67	400-27213	10	51	700-01781	11	7
SM-1030501-SN	2	11				400-29004	11	9	700-01782	11	19
SM-1040800-SP	2	7	WP-0250516-SD	8	37	400-42363	6	8	700-01783	11	22
SM-1040800-SP	8	40	WP-0420516-KH	8	15	400-42364	6	9	700-01784	11	23
SM-4031001-SN	10	31	WP-0430800-SC	10	20	400-42365	6	10	700-01785	12	19
SM-4040501-SN	10	53	WP-0430800-SC	11	14	400-42366	6	11	700-01788	11	1
SM-4040555-SP	2	51	WP-0430800-SC	11	25	400-65510	11	10	700-01790	11	24
SM-4040655-SP	2	35	WP-0431005-SP	8	32	400-65785	6	1	700-01791	11	11
SM-4040655-SP	2	56	WP-0450826-SC	11	26	400-69703	10	59	700-01815	8	1
SM-4040655-SP	4	36	WP-0450826-SC	11	28	400-70110	8	22	700-01816	8	18

NUMERICAL INDEX OF PARTS

PART NO	PAGE	REF NO	PART NO	PAGE	REF NO	PART NO	PAGE	REF NO	PART NO	PAGE	REF NO
700-01817	8	2									
700-01818	2	60									
700-01820	8	6									
700-01821	8	4									
700-01822	8	33									
700-01823	2	3									
700-01824	8	5									
700-01825	2	8									
700-01826	2	61									
700-01827	8	38									
700-01843	12	16									
700-02246	11	2									
700-03278	4	30									
700-03317	4	44									
700-04184	4	43									
700-04630	4	15									
700-04631	4	16									
700-04632	4	18									
700-04633	4	17									