

PARTS LIST

MF-7900D Series PARTS LIST

下記 URL (PARTS Website/PC サイト) より、便利な検索機能のついた Web Parts Book をご利用頂けます。
ご利用には会員登録が必要です。(無料)

<https://juki.aftama.com/JUKI/JA>

You can use a Web Parts Book with a convenient search function from the URLs (PARTS Website/PC-site)
below. To use the PARTS Website, free membership registration is required.

<https://juki.aftama.com/JUKI/EN>

HOW TO MAKE USE OF THIS PARTS LIST

1.Explanation of codes

1)"*" mark.....means this part is changed from the previous parts book.

As to the details of the change, refer to the "List for information of change".

2)"#01".....refer to "Note" explanation at bottom of page.

2.Codes on the "Qty" column

- Each numeral indicates the number of parts required.
- "0.1" and "2.5" indicate the length (in meters) of the respective parts.

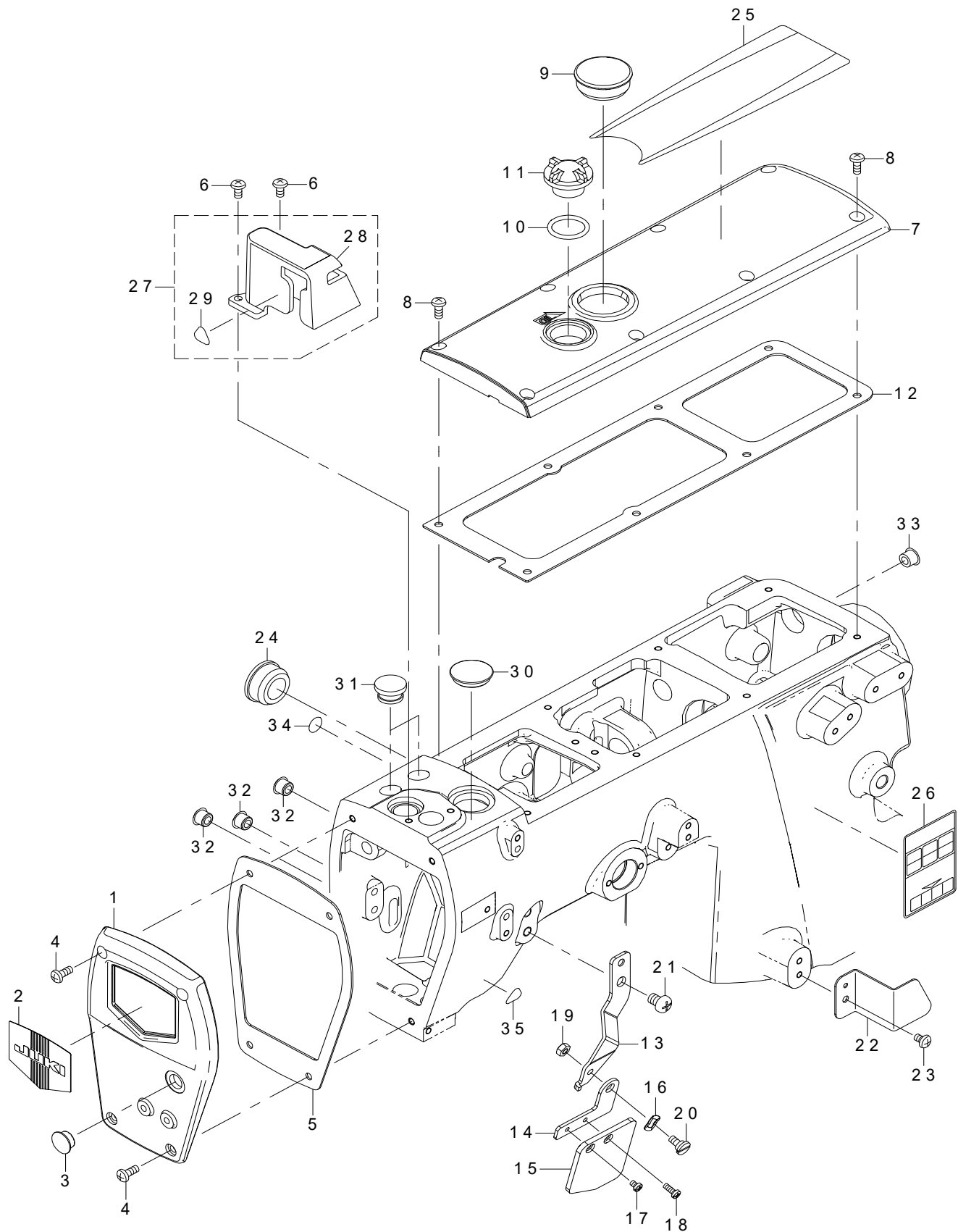
3.Parentheses mean that the corresponding part is a subpart that constructs an assembly part.

4.Dotted lines on the Figures indicate assembly parts.

CONTENTS

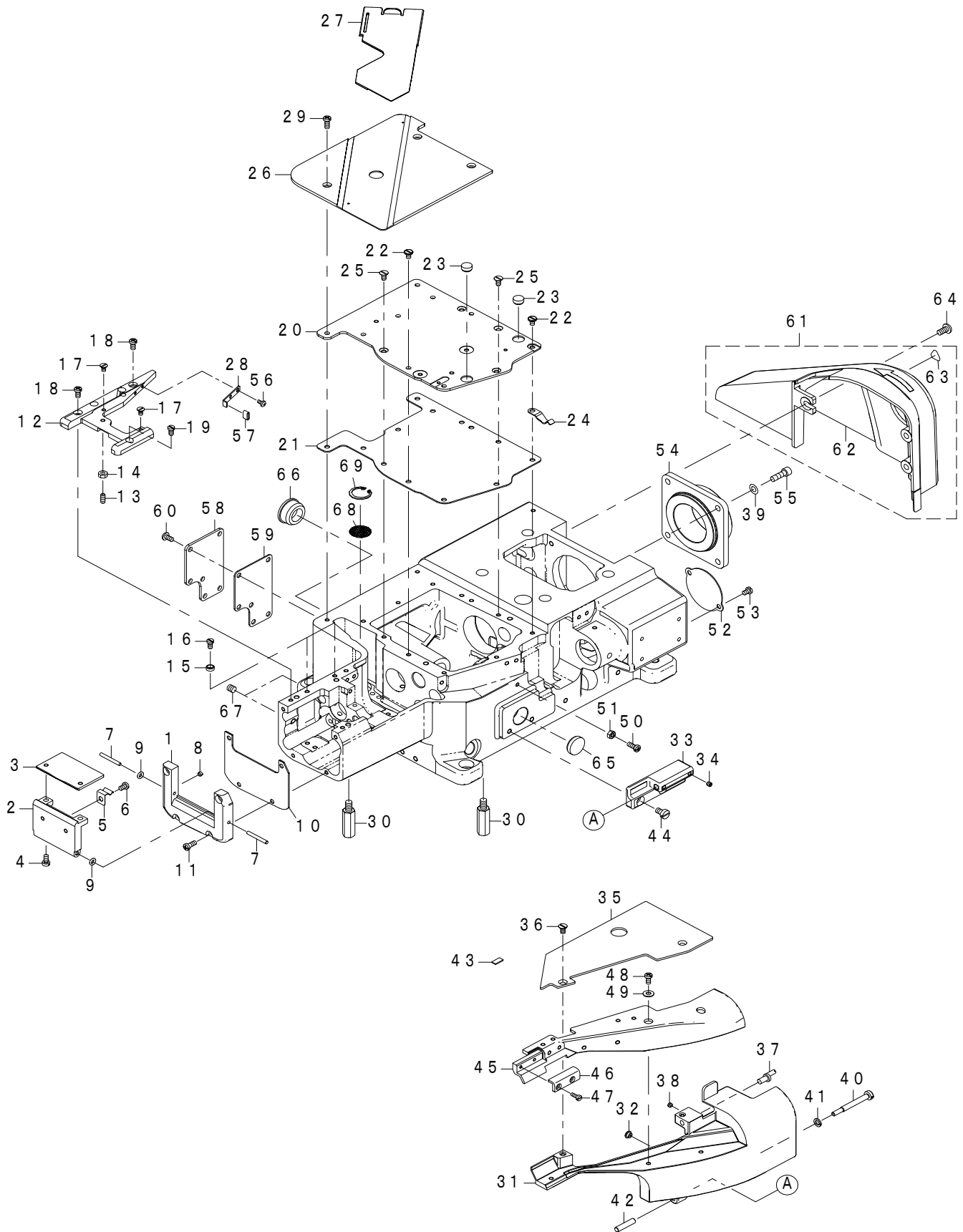
1. MISCELLANEOUS COVER COMPONENTS (1).....	1
2. MISCELLANEOUS COVER COMPONENTS (2).....	3
3. MAIN SHAFT COMPONENTS.....	5
4. NEEDLE BAR & PRESSER COMPONENTS	7
5. FEED DRIVE COMPONENTS (1).....	9
6. FEED DRIVE COMPONENTS (2).....	11
7. THREAD TAKE-UP LEVER COMPONENTS	13
8. SPREADER COMPONENTS.....	15
9. LOWER THREAD CAM COMPONENTS.....	17
10. NEEDLE GUARD COMPONENTS	19
11. LOOPER COMPONENTS.....	21
12. THREAD TENSION COMPONENTS.....	23
13. LUBRICATION COMPONENTS	25
14. THREAD STAND COMPONENTS.....	27
15. NEEDLE COOLING COMPONENTS.....	29
16. GAUGE PARTS COMPONENTS.....	31
17. ACCESSORIES PARTS COMPONENTS.....	33
18. LIST FOR INFORMATION OF CHANGE.....	35
NUMERICAL INDEX OF PARTS.....	36

1. MISCELLANEOUS COVER COMPONENTS (1)



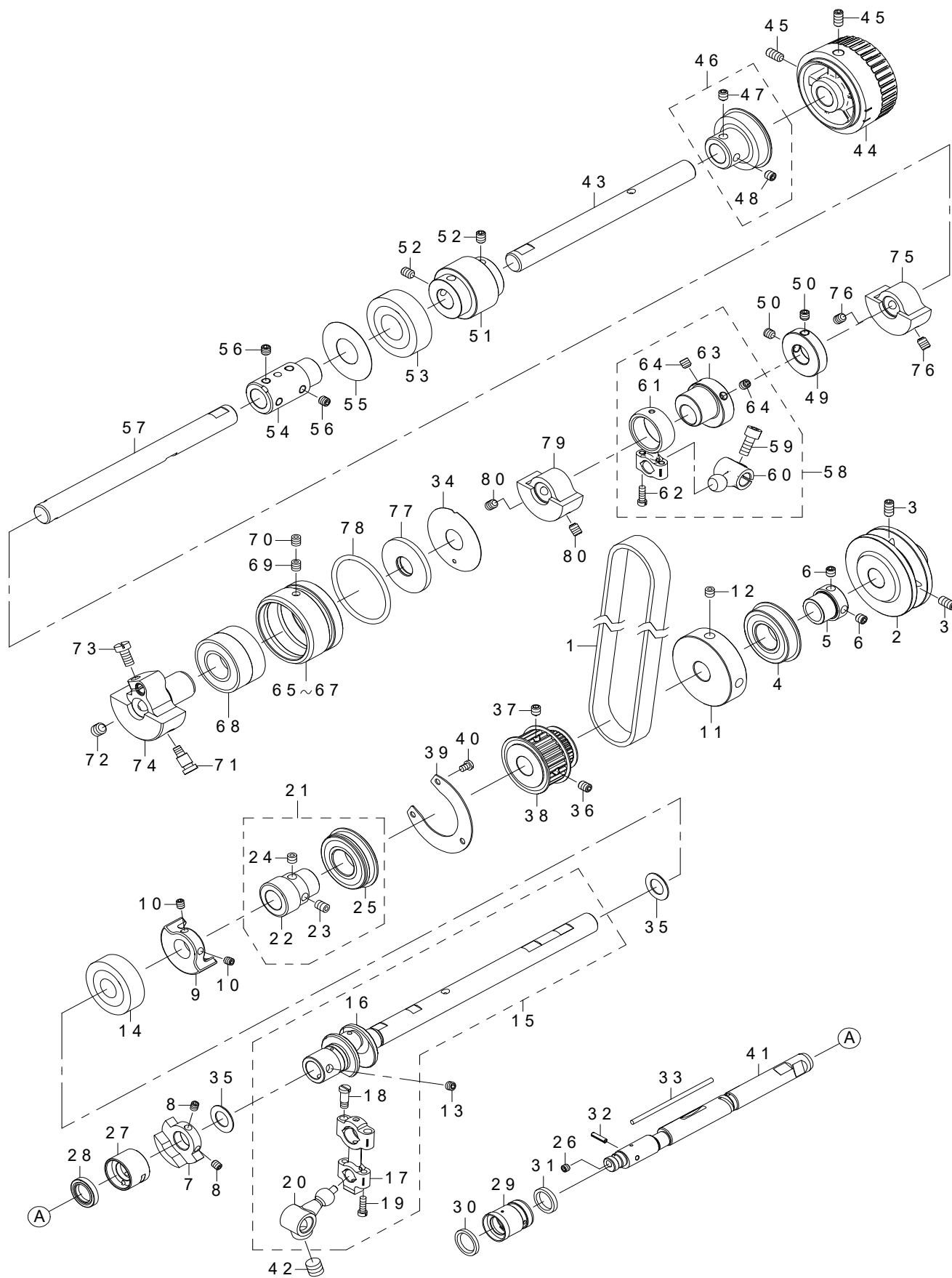
REF.NO	NOTE	PART NO	DESCRIPTION	Qty
1		700-01411	FACE COVER	1
2		229-02506	PLATE	1
3		TA-1050504-R0	RUBBER PLUG	1
4		SM-4041055-SP	SCREW	4
5		700-01416	GASKET H	1
6		SM-4040855-SP	SCREW	2
7		700-01409	TOP COVER	1
8		SM-4041055-SP	SCREW	8
9		107-53309	WINDOW PLATE RUBBER PLUG	1
10		RO-1952401-00	O-RING	1
11		229-24708	OIL SIGHT WINDOW	1
12		133-00801	GASKET T	1
13		700-01421	BRACKET HOLDER	1
14		400-33341	BRACKET	1
15		133-01700	PROTECTION SHIELD	1
16		WZ-0641510-KP	WAVED WASHER 6.4X11X0.3	1
17		SM-4030455-SN	SCREW	1
18		SM-4030855-SN	SCREW M3 L=8.0	1
19		NM-6040000-SN	NUT M4	1
20		SD-0640246-SP	SHOULDER SCREW D=6.35 H=2.4	1
21		SM-4060801-SE	SCREW	1
22		700-01677	THREAD COVER	1
23		SM-4040655-SP	SCREW M4 L=6	1
24		TA-2351004-R0	RUBBER PLUG	1
25		700-01430	SEMI DRY LABEL	1
26		CM-3012000-01	SAFETY LABEL S	1
27		700-01837	NEEDLE BAR GUARD ASSY	1
28		700-01407	NEEDLE BAR GUARD	(1)
29		CM-3002000-01	FINGER INJURY CAUTION LABEL (16)	(1)
30		TA-2050406-R0	RUBBER PLUG	1
31		TA-1250705-R0	RUBBER PLUG	2
32		TA-0850604-R0	RUBBER PLUG	3
33		TA-0850604-R0	RUBBER PLUG	1
34		229-01805	GROUND MARK	1
35		CM-3002000-01	ATTENTION SEAL	1

2. MISCELLANEOUS COVER COMPONENTS (2)



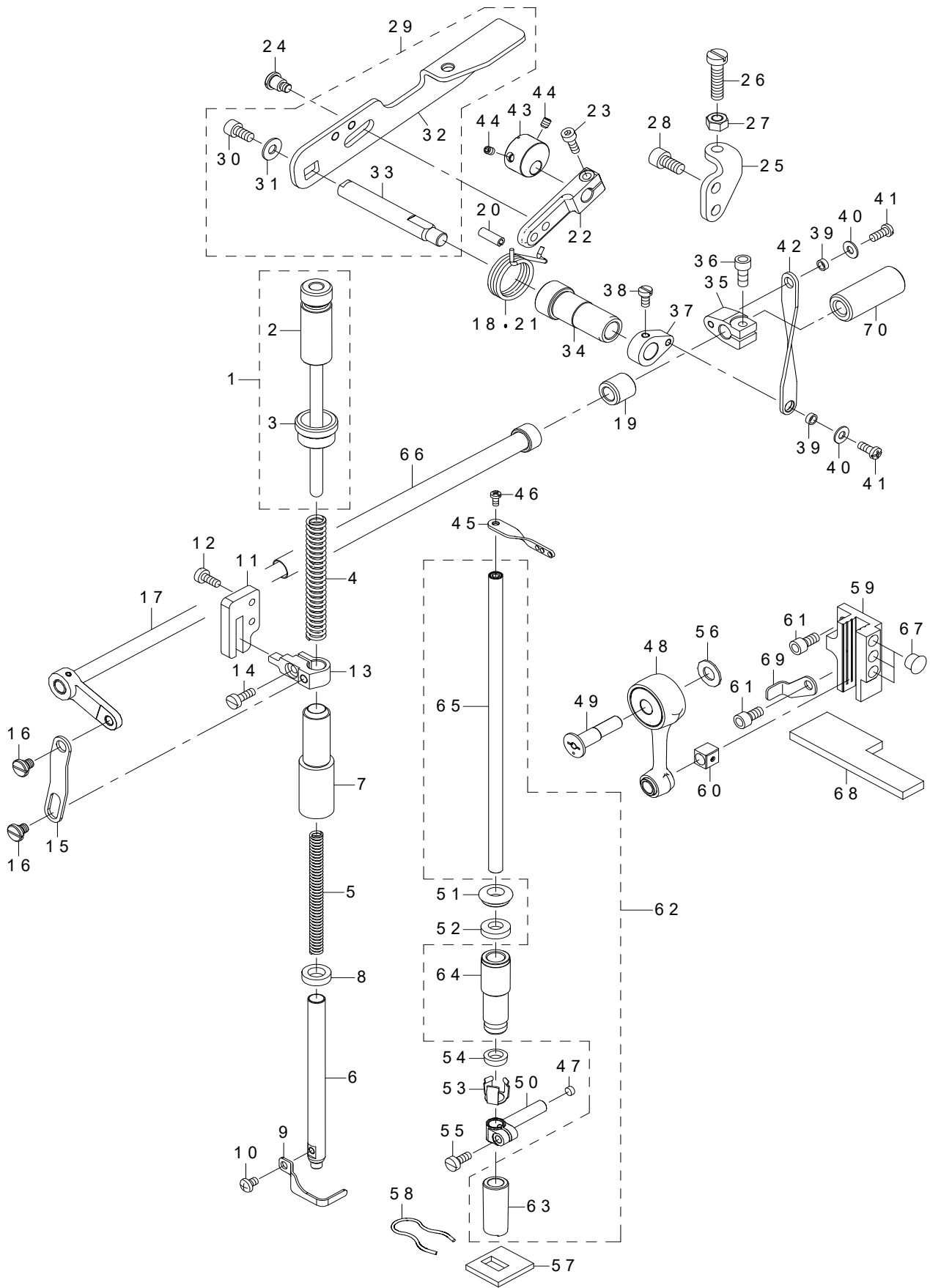
REF.NO	NOTE	PART NO	DESCRIPTION	Qty
1		700-01657	CYLINDER COVER	1
2		700-01655	SIDE COVER BOTTOM	1
3		700-01653	SIDE COVER UPPER	1
4		SM-6040800-SP	SCREW	2
5		134-01906	LATCH SPRING 2	1
6		SM-4040655-SP	SCREW M4 L=6	1
7		PH-0300252-C0	PARALLEL PIN TYPE B 3X25	2
8		SM-8040360-TP	SCREW	2
9		RO-0371801-00	RUBBER RING	2
10		700-01661	GASKET	1
11		SM-4041055-SP	SCREW	4
12	*	401-78900	THROAT_PLATE_SUPPORT	1
13		SM-8041012-TP	SCREW M4 L=10	1
14		NM-6040000-SN	NUT M4	1
15		400-82196	ADJUSTING COLLAR	2
16		SM-6040750-TP	SCREW M4 L=7	2
17		133-02203	SCREW	2
18		SM-4040855-SP	SCREW	2
19		SM-6040750-TP	SCREW M4 L=7	1
20		700-01662	COVER PLATE	1
21		700-01663	GASKET B	1
22		SM-6040800-SP	SCREW	6
23		TA-0980502-R0	RUBBER PLUG	2
24		134-02003	LATCH SPRING	1
25		SM-1040860-SP	SCREW	4
26	*	700-03355	CLOTH_PLATE_ASSY	1
27	*	134-01401	SLID_COVER	1
28	*	134-03407	SLIDE_COVER_SUPPORT	1
29		SM-4041055-SP	SCREW	3
30		133-01809	SUPPORT STUD	4
31		700-01650	SWING DOWN COVER	1
32		133-02302	RUBBER BUMPER	1
33		700-01648	HINGE	1
34		SM-8040412-TP	SET SCREW M4 L=4	2
35	*	401-78898	CLOTH_PLATE_FRONT	1
36		SM-1040800-SP	SCREW	2
37		134-02706	PIN FOR COVER	1
38		SM-8040360-TP	SCREW	1
39		WP-0531000-SD	WASHER M5	4
40		700-01414	SCREW	1
41		WS-0510002-KP	SPRING WASHER 5.1X9.2X1.3	1
42		134-09800	DIFF LINK PIN	1
43		134-03605	RUBBER_PLATE	1
44		SM-6050800-SP	SCREW M5 L=8	2
45		700-01652	BRACKET	1
46		700-01678	BRACKET	1
47		SM-6030800-SP	SCREW M3X0.5 L=8	2
48		SM-4040855-SP	SCREW	2
49		WP-0450801-SC	WASHER 4.5X10X0.8	2
50		SM-4041055-SP	SCREW	1
51		NM-6040000-SN	NUT M4	1
52		700-01673	LOOPER THD COVER	1
53		SM-4040655-SP	SCREW M4 L=6	2
54		700-01436	HOUSING	1
55		SM-6051602-TP	SCREW M5X0.8 L=16	4
56	*	SM-4030655-SP	SCREW	2
57	*	236-30007	TUBE	0.005
58		700-01642	COVER FOR FEED ADJUST	1
59		700-01643	COVER FOR FEED ADJUST PACKING	1
60		SM-4040855-SP	SCREW	6
61		700-01831	DRIVING BELT COVER ASSY	1
62		700-01830	DRIVING BELT COVER	(1)
63		CM-3002000-01	ATTENTION SEAL	(1)
64		SM-4051055-SP	SCREW	1
65		TA-2000502-R0	RUBBER PLUG	1
66		TA-2351004-R0	RUBBER PLUG	1
67		SM-8060612-TP	SCREW M6 L=6	2
68		134-26903	MESH PLATE	1
69		RC-1900002-KP	C-RING	1

3. MAIN SHAFT COMPONENTS



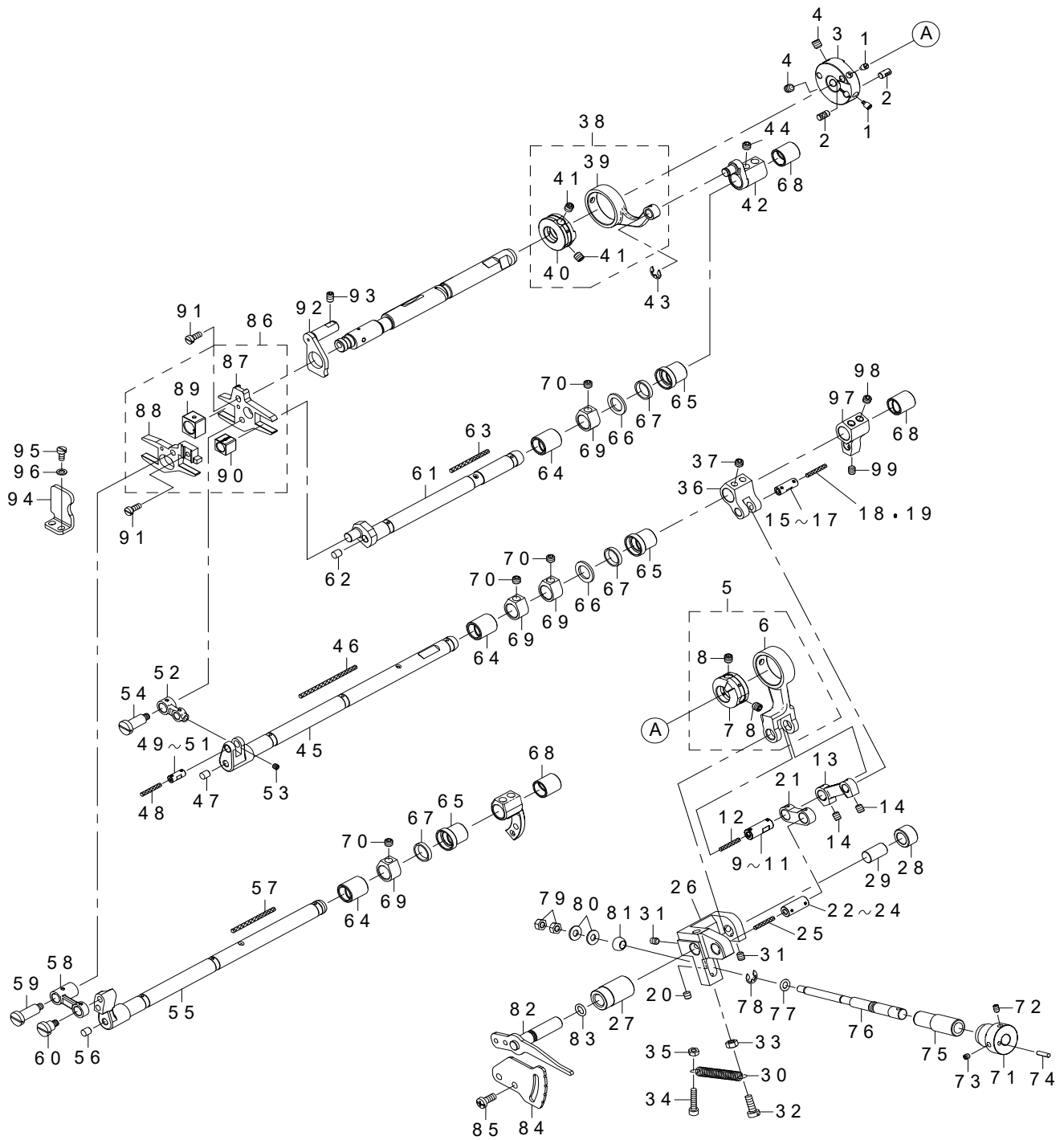
REF.NO	NOTE	PART NO	DESCRIPTION	Qty
1	*	134-06905	TIMING_BELT	1
2		134-06707	LOWER_PULLEY	1
3		SM-8061212-TP	SCREW M6X12	2
4		SB-1200018-00	BEARING	1
5		134-07408	COUPLING E	1
6		SM-8060612-TP	SCREW M6 L=6	2
7		134-08406	BALANCE_WEIGHT_LMS_1	1
8		SM-8050612-TP	SCREW M5X6	2
9		134-08505	BALANCE_WEIGHT_LMS_2	1
10		SM-8050612-TP	SCREW M5X6	2
11		700-03316	FLY_WHEEL	1
12		SM-8060612-TP	SCREW M6 L=6	2
13		SM-8060552-TP	SCREW M6 L=5	2
14		SB-1150023-00	BEARING	1
15		700-01680	LMS_RIGHT_ROD_ASSY	1
16		700-01687	LMS_RIGHT	(1)
17		700-01685	LOOPER_ROD	(1)
18		SD-0550906-TP	SHOULDER SCREW	(2)
19		133-24108	SCREW	(2)
20		700-01686	CRANK	(1)
21	*	700-04489	LMS_WORM_ASSY	1
22		133-08507	COUPLING D	(1)
23		SM-8060552-TP	SCREW M6 L=5	(2)
24		SM-8060842-TP	SCREW M6 L=8	(1)
25	*	700-04484	BEARING	(1)
26		SM-8050412-TP	SCREW M5 L=4	1
27		700-01682	BUSHING_LMS_MIDDLE	1
28		134-08703	OIL_SEAL	1
29		700-01683	BUSHING_LMS_LEFT	1
30		134-07903	OIL SEAL	1
31		134-08604	FELT_LMS_LEFT_BUSH	1
32		PS-0300122-KH	SPRING PIN 3X12	1
33		CQ-3000000-01	OIL WICK	0.075
34		400-81965	OIL_BLOCK_PLATE	1
35		400-17824	LOOPER LOD STOPPER	2
36		SM-8060812-TP	SCREW M6 L=8	1
37		SM-8060842-TP	SCREW M6 L=8	1
38		700-04184	LMS_SPROCKET	1
39		700-01451	THRUST_PLATE	1
40		SM-4040655-SP	SCREW M4 L=6	3
41		700-01681	LOWER_MAINSHAFT_LEFT	1
42		SM-8550952-TP	SCREW	1
43		700-01437	UPPER_MAINSHAFT_RIGHT	1
44		700-01439	UPPER_PULLEY	1
45		SM-8061212-TP	SCREW M6X12	2
46		133-07251	BEARING_ASSY_A	1
47		SM-8060842-TP	SCREW M6 L=8	(1)
48		SM-8060612-TP	SCREW M6 L=6	(1)
49		700-01443	COLLAR	1
50		SM-8060612-TP	SCREW M6 L=6	2
51		133-07301	UMS_SPROCKET	1
52		SM-8060812-TP	SCREW M6 L=8	4
53		SB-1200022-00	BEARING	1
54		700-01440	COUPLING_B	1
55		700-01638	BEARING_COVER_PLATE	1
56		SM-8060612-TP	SCREW M6 L=6	4
57		700-01454	UPPER_MAINSHAFT_LEFT_DRY	1
58		700-01442	TAKE_UP_ROD_ASSY	1
59		SM-6061402-TP	SCREW M6 L=14	(1)
60		700-01535	CRANK	(1)
61		700-01536	ROD	(1)
62		133-24108	SCREW	(2)
63		700-01444	TAKE_UP_ECCENTRIC	(1)
64		SM-8060612-TP	SCREW M6 L=6	(2)
65	#01	400-78278	HOUSING_A	1
66	#01	400-78279	HOUSING_B	1
67	#01	400-78280	HOUSING_C	1
68		SB-1200019-00	BEARING	1
69		SM-8060842-TP	SCREW M6 L=8	1
70		SM-8060612-TP	SCREW M6 L=6	1
71		133-09208	SCREW_FOR_COUNTERWEIGHT	1
72		SM-8080812-TP	SCREW M8X8	1
73		SM-6061200-SP	SCREW	1
74		700-01432	COUNTER_WEIGHT_DRY	1
75	#03	134-08307	BALANCE_WEIGHT_UMS	1
76	#03	SM-8060812-TP	SCREW M6 L=8	2
77		400-78282	OIL SEAL	1
78		RO-4453001-00	RUBBER RING	1
79	#02	134-08307	BALANCE_WEIGHT_UMS	1
80	#02	SM-8060812-TP	SCREW M6 L=8	2
		NOTE	#01...SELECTIVE PARTS #02...FOR PL11,PL12 #03...EXCEPT PL11,PL12	

4. NEEDLE BAR & PRESSER COMPONENTS



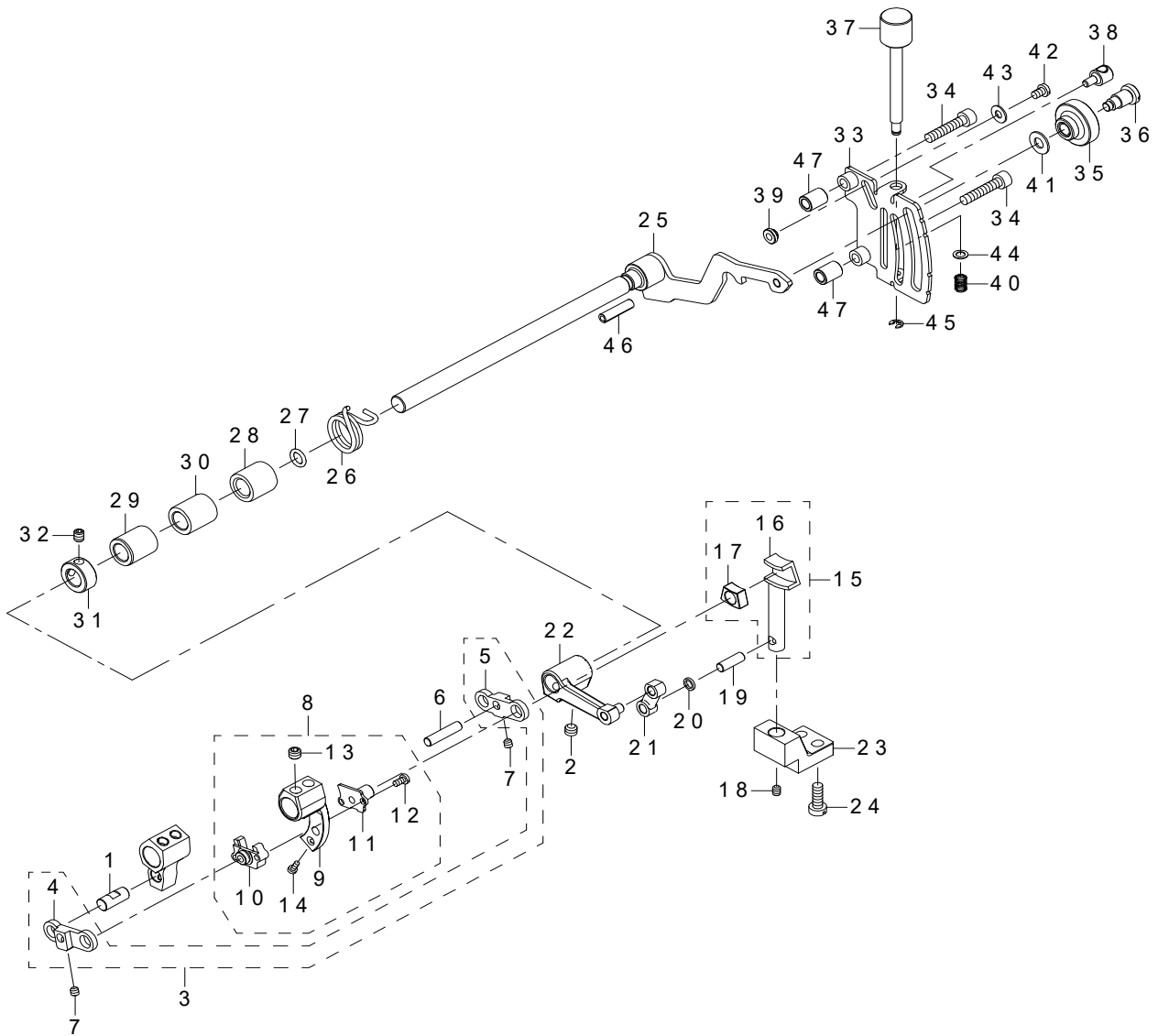
REF.NO	NOTE	PART NO	DESCRIPTION	Qty
1		400-70574	ADJ SCREW P B NUT ASSY	1
2		400-70573	ADJ SCREW P B ASSY	(1)
3		133-13101	LOCKING NUT	(1)
4		133-13309	SPRING PRESSER BAR A	1
5		700-01480	SPRING PRESSER BAR B	1
6		700-01481	PRESSER BAR	1
7		700-01499	BUSHING_PRESSER_BAR	1
8		133-15908	OIL SEAL	1
9		700-01483	FINGER GUARD	1
10		SM-4040655-SP	SCREW M4 L=6	1
11		133-13804	GUIDE PLATE	1
12		SM-6041000-SP	SCREW M4 L=10	2
13		700-01485	PRESSER BAR BRACKET	1
14		SM-6041200-SP	SCREW M4 L=12	1
15		133-14109	LINK	1
16		SD-0700206-TP	SHOULDER SCREW D=7 H=2	2
17		400-78307	ASSY LIFTER SHAFT DRY	1
18	#02	133-15205	SPRING LIFTER LEVER	1
19		700-01486	BUSHING LIFTER FRONT	1
20		PS-0500142-KP	SPRING PIN TYPE W 5X14	1
21	#01	700-01498	SPRING LIFTER LEVER	1
22		700-01494	TENSION RELEASE LEVER	1
23		SM-6041202-TP	SCREW M4X0.7 L=12	1
24		SD-0700586-TP	SHOULDER SCREW D=7 H=5.8	1
25		700-01495	LIFTER LEVER STOPPER	1
26		SM-6062550-TP	SCREW M6 L=25	1
27		NM-6060001-CP	NUT M6X1 TYPE1	1
28		SM-6061202-TP	SCREW M6 L=12	2
29		700-01487	LIFTER LEVER ASSY	1
30		SM-6051002-TP	SCREW M5X0.8 L=10	(1)
31		WP-0551016-SH	WASHER 5.5X13X1	(1)
32		700-01488	LIFTER LEVER	(1)
33		700-01489	LIFTER LEVER SHAFT	(1)
34		700-01490	BUSHING LIFTER LEVER	1
35		700-01478	LIFTER SHAFT LEVER	1
36		SM-6051202-TP	SCREW M5X0.8 L=12	1
37		700-01477	LIFTER LEVER COLLAR	1
38		SM-6040800-SP	SCREW	1
39		700-01491	SPACER	2
40		WP-0450826-SC	WASHER 4.5X10X0.8	2
41		SM-4041055-SP	SCREW	2
42		700-01492	LIFTER LEVER LINK	1
43		700-01493	MINUTES LIFTING COLLAR	1
44		SM-8040512-TP	SCREW	2
45		133-26806	NEEDLE BAR EYELET	1
46		SM-4030855-SN	SCREW M3 L=8.0	1
47		400-78293	PLUG	1
48		700-01465	ASSY NEEDLE CRANK ROD	1
49		700-01462	ECCENTRIC PIN DRY	1
50		400-78292	NEEDLE BAR CLAMP	1
51		400-78305	BUSHING NB U PRESSER A	1
52		400-78302	BUSHING NB U FELT A	1
53		400-78306	BUSHING NB U PRESSER B	1
54		400-78303	BUSHING NB U FELT B	1
55		SM-6041000-SP	SCREW M4 L=10	1
56		400-78291	WASHER	1
57		400-78301	BUSHING NB L FELT	1
58		400-78304	BUSHING NB L PRESSER	1
59		700-01463	NEEDLE BAR GUIDE	1
60		400-78295	SLIDE BLOCK	1
61		SM-6051202-TP	SCREW M5X0.8 L=12	3
62		400-78317	ASSY BUSHING NB DRY	1
63		400-78299	BUSHING NB LOWER	(1)
64		400-78300	BUSHING NB UPPER	(1)
65		400-78296	NEEDLE BAR ASSY	(1)
66		400-78320	PIPE ASSY	1
67		TA-0850604-R0	RUBBER PLUG	4
68		400-87083	FELT	1
69		400-87101	FELT PRESSER	1
70		700-01500	BUSHING_LIFTER_REAR	1
		NOTE	#01....EXCEPT UT52 #02....FOR UT52	

5. FEED DRIVE COMPONENTS (1)



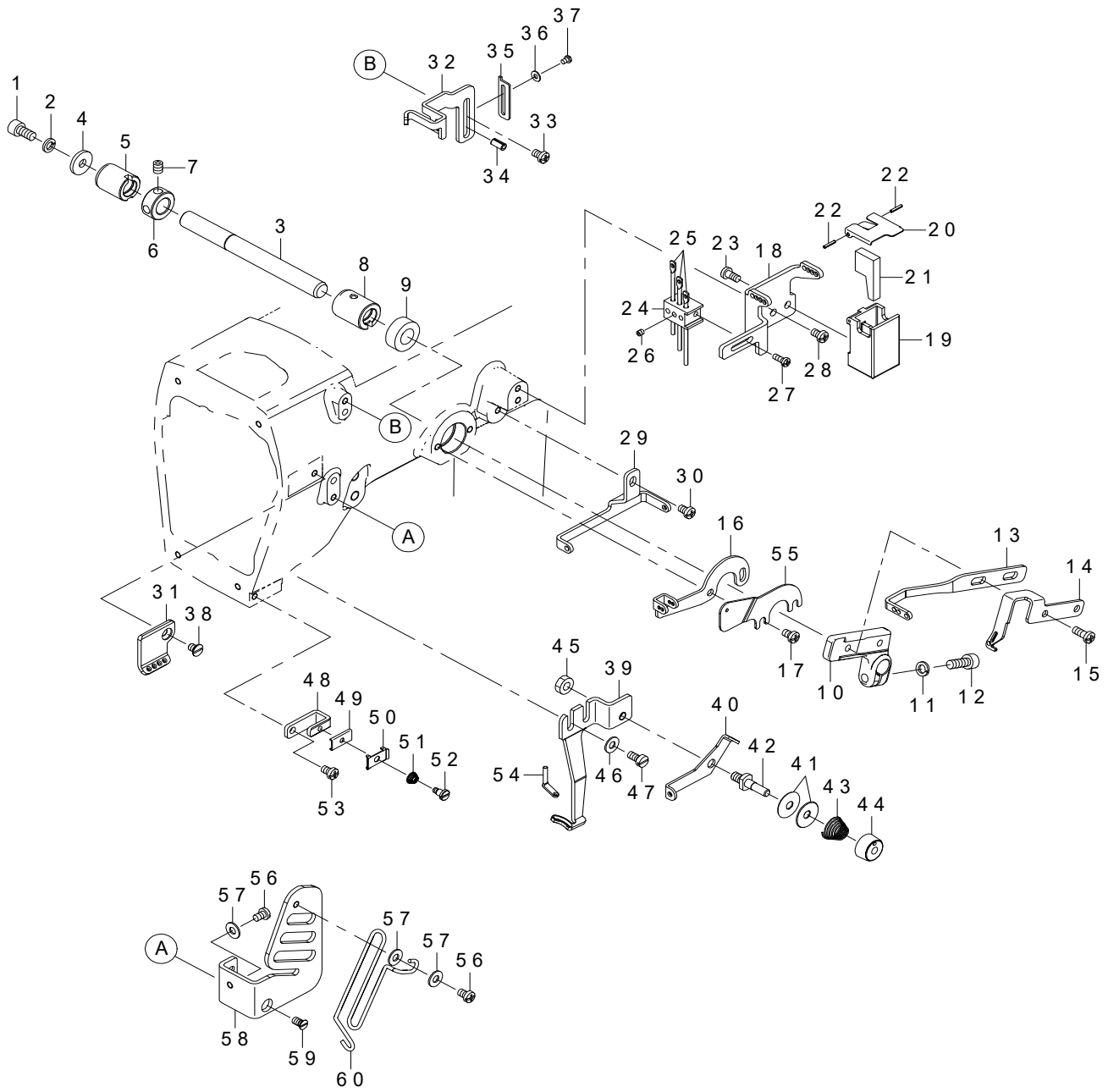
REF.NO	NOTE	PART NO	DESCRIPTION	Qty
1		700-01524	FEED ECCENTRIC SCREW	2
2		700-01525	FEED ECCENTRIC PIN	2
3		700-01697	POSITIONING CAM	1
4		SM-8060612-TP	SCREW M6 L=6	2
5		700-01720	FEED ECCENTRIC HORIZON	1
6		700-01700	CRANK ROD	(1)
7		700-01715	FEED ECCENTRIC HORIZON	(1)
8		SM-8060612-TP	SCREW M6 L=6	(2)
9	#01	133-23308	FEED ADJ LINK PIN A	1
10	#01	133-23407	FEED ADJ LINK PIN B	1
11	#01	133-23506	FEED ADJ LINK PIN C	1
12		CQ-3030000-00	OIL WICK	0.07
13		134-10204	MAIN ADJ LINK	1
14		SM-8050612-TP	SCREW M5X6	2
15	#01	133-18704	MAIN FEED CRANK PIN A	1
16	#01	133-18803	MAIN FEED CRANK PIN B	1
17	#01	133-18902	MAIN FEED CRANK PIN C	1
18		CQ-2020000-00	OIL WICK	0.02
19		CQ-3030000-00	OIL WICK	0.04
20		SM-8050612-TP	SCREW M5X6	1
21		133-17300	ADJUST LINK	1
22	#01	134-10600	FEED ADJ LINK PIN A	1
23	#01	134-10709	FEED ADJ LINK PIN B	1
24	#01	134-10808	FEED ADJ LINK PIN C	1
25		CQ-3030000-00	OIL WICK	0.07
26		134-15708	FEED ADJ BLOCK	1
27		700-01702	BUSHING MAIN FEED ADJ	1
28		700-01703	BUSHING MAIN FEED ADJ	1
29		134-15906	SHAFT FEED ADJ BLOCK	1
30		B2546-232-000	PRESSURE SPRING	1
31		SM-8050612-TP	SCREW M5X6	4
32		SM-6051400-SP	SCREW	1
33		NM-6050001-SC	NUT M5X0.8 TYPE1	1
34		SM-6042002-TP	SCREW M4X0.7 L=20	1
35		NM-6040000-SN	NUT M4	1
36		134-11509	MAIN FEED CRANK	1
37		SM-8060552-TP	SCREW M6 L=5	2
38		700-01721	FEED ECCENTRIC VERTICAL	1
39		700-01701	FEED LIFT ROD	(1)
40		700-01716	FEED ECCENTRIC VERTICAL	(1)
41		SM-8060612-TP	SCREW M6 L=6	(2)
42		134-14404	FEED LIFT LEVER	1
43		RE-0500000-K0	E-RING	1
44		SM-8060552-TP	SCREW M6 L=5	2
45		700-01765	MAIN FEED SHAFT	1
46		CQ-3000000-01	OIL WICK	1.5
47		TA-0500601-M0	PLUG D=5X5.4 L=6	1
48		CQ-2000000-00	OIL WICK	0.07
49	#01	134-12002	MAIN FEED LINK PIN A	1
50	#01	134-12101	MAIN FEED LINK PIN B	1
51	#01	134-12200	MAIN FEED LINK PIN C	1
52		134-11905	MAIN FEED LINK	1
53		SM-8040412-TP	SET SCREW M4 L=4	1
54		SD-0801636-TH	SHOULDER SCREW	1
55		700-01699	DIFF FEED SHAFT	1
56		TA-0500601-M0	PLUG D=5X5.4 L=6	1
57		CQ-3000000-01	OIL WICK	1
58		134-13604	DIFF FEED LINK	1
59		SD-0801866-TH	SHOULDER SCREW	1
60		SD-0800626-TH	SHOULDER SCREW	1
61		134-14503	FEED LIFT SHAFT	1
62		TA-0500601-M0	PLUG D=5X5.4 L=6	1
63		CQ-3000000-01	OIL WICK	0.67
64		134-11707	BUSHING FEED MECH	3
65		700-01705	BUSHING FEED MECH	3
66		134-09107	WASHER	2
67		700-01403	OIL SEAL	3
68		700-01706	BUSHING FEED MECH	3
69		134-11806	COLLAR	4
70		SM-8060552-TP	SCREW M6 L=5	4
71		133-18001	KNOB FEED ADJUST	1
72		SM-8040602-TP	SCREW M4X0.7 L=6	1
73		SM-8040412-TP	SET SCREW M4 L=4	1
74		B3215-470-000	PIN	1
75		134-11400	BUSHING FEED ADJ	1
76		134-11301	SHAFT FEED ADJ	1
77		RO-0552001-00	RUBBER RING	1
78		RE-0500000-K0	E-RING	1
79		NM-6050001-SC	NUT M5X0.8 TYPE1	1
80		131-20605	WASHER	2
81		133-18308	STOPPER FEED ADJUST	1
82		134-11152	INDICATOR ASSY	1
83		RO-0681901-00	RUBBER RING	1
84		700-01719	PLATE MAIN FEED ADJ	1
85		SM-4051255-SP	SCREW, M5 L=12.	2
86		134-13950	FEED BAR ASSY	1
87		134-13901	MAIN FEED BAR	(1)
88		134-14008	DIFF FEED BAR	(1)
89		134-13703	SLIDE BLOCK 1	(1)
90		134-13802	SLIDE BLOCK 2	(1)
91		SM-6041000-SP	SCREW M4 L=10	2
92		134-14107	FEED BAR GUIDE 1	1
93		SM-8050812-TP	SCREW M5X8	1
94		134-14206	FEED BAR GUIDE 2	1
95		SM-6040800-SP	SCREW	2
96		WP-0450846-SP	WASHER	2
97		700-01714	DIFF FEED CRANK	1
98		SM-8060552-TP	SCREW M6 L=5	2
99		SM-8050612-TP	SCREW M5X6	1
		NOTE	#01....SELECTIVE PARTS	

6. FEED DRIVE COMPONENTS (2)



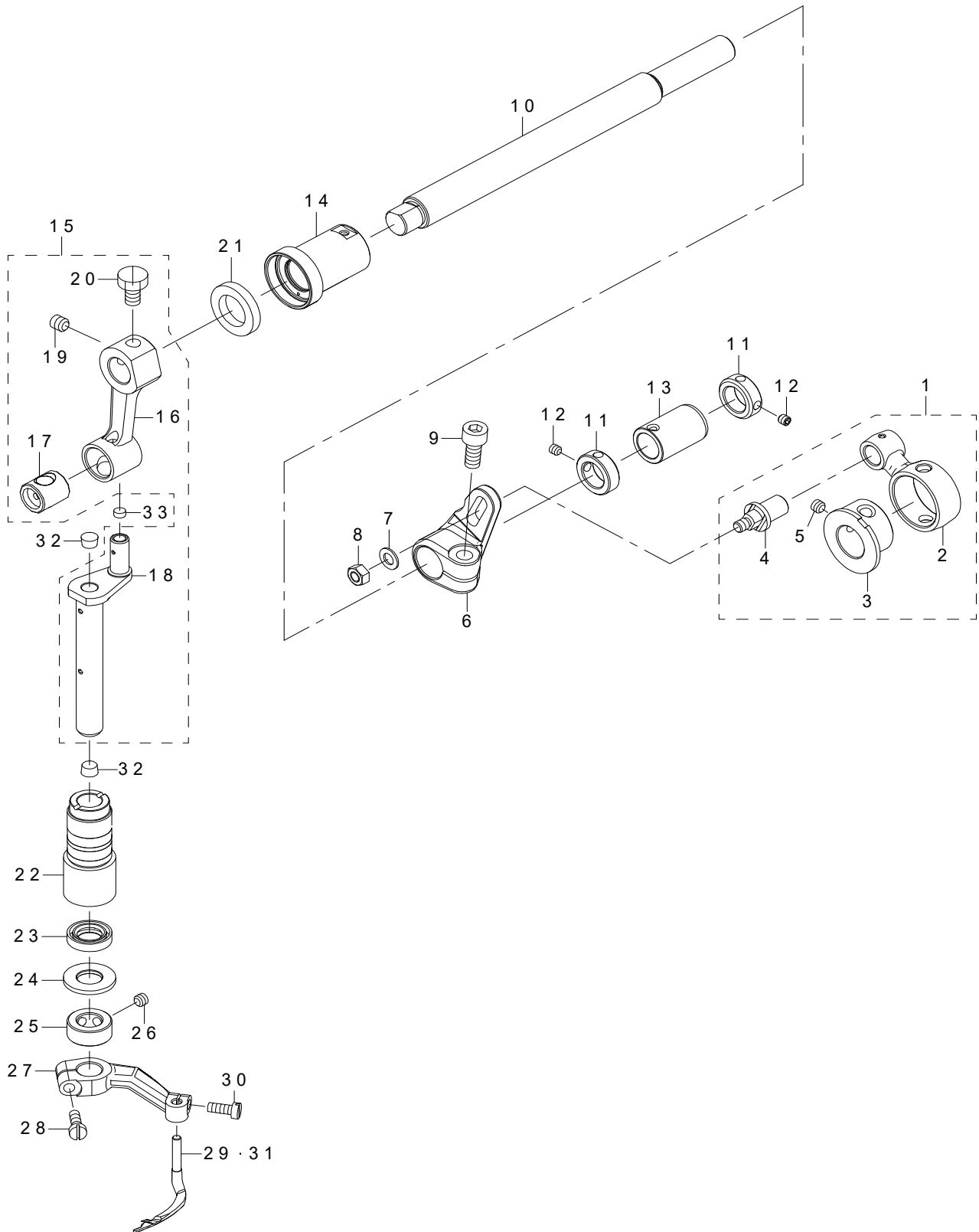
REF.NO	NOTE	PART NO	DESCRIPTION	Qty
1		134-09909	DIFF FEED CRANK PIN	1
2		SM-8060552-TP	SCREW M6 L=5	2
3		134-09651	DIFF DRIVE LINK ASSY	1
4		134-09602	DIFF DRIVE LINK L	(1)
5		134-09701	DIFF DRIVE LINK R	(1)
6		134-09800	DIFF LINK PIN	1
7		SM-8040412-TP	SET SCREW M4 L=4	2
8		134-16052	DIFF FEED ARM ASSY	1
9		134-16003	DIFF FEED ARM	(1)
10		134-16102	DIFF FEED PIN 1	(1)
11		134-16201	DIFF FEED PIN 2	(1)
12		SM-6030650-TP	SCREW	(2)
13		SM-8060552-TP	SCREW M6 L=5	(2)
14		SM-4850455-SP	SCREW	(1)
15		134-16458	SLIDER GUIDE ASSY	1
16		134-16409	SLIDER GUIDE	(1)
17		134-16607	SLIDER	(1)
18		SM-8040612-TP	SCREW M4 L=6	1
19		134-16508	PIN DIFF ADJ	1
20		134-12705	SPACER	1
21		134-13208	DIFF ADJ LINK	1
22		134-16854	DIFF ADJ LEVER ASSY	1
23		134-16706	SLIDER GUIDE BLOCK	1
24		SM-6051400-SP	SCREW	2
25		700-01707	DIFF ADJ LEVER ASSY	1
26		400-40208	TORSION SPRING	1
27		RO-0681901-00	RUBBER RING	1
28		700-01709	BUSHING FEED ADJ	1
29		700-01710	BUSHING FEED ADJ	1
30		700-01711	BUSHING FEED ADJ	1
31		CS-1000881-TP	THRUST COLLAR	1
32		SM-8050612-TP	SCREW M5X6	2
33		400-40155	PLATE DIFF ADJ LEVER	1
34		SM-6052502-TP	SCREW M5X0.8 L=25	2
35		132-17500	DIFFERENTIAL FEED LOCK NUT	1
36		132-17401	DIFFERENTIAL FEED HINGE SCREW	1
37		700-01718	SCREW	1
38		132-17708	DIFFERENTIAL FEED BLOCK	1
39		133-21203	STOPPER DIFF ADJ	1
40		131-23302	ADJUSTING SPRING	1
41		WP-0621016-SD	WASHER 6.2X13X1	1
42		SM-4040655-SP	SCREW M4 L=6	1
43		WP-0450826-SC	WASHER 4.5X10X0.8	1
44		WP-0460556-SD	WASHER 4.6X7.5X0.5	1
45		RE-0300000-K0	E-RING 3	1
46		PS-0500202-KP	SPRING PIN 5X20	1
47		700-01712	COLLAR	2

7. THREAD TAKE-UP LEVER COMPONENTS



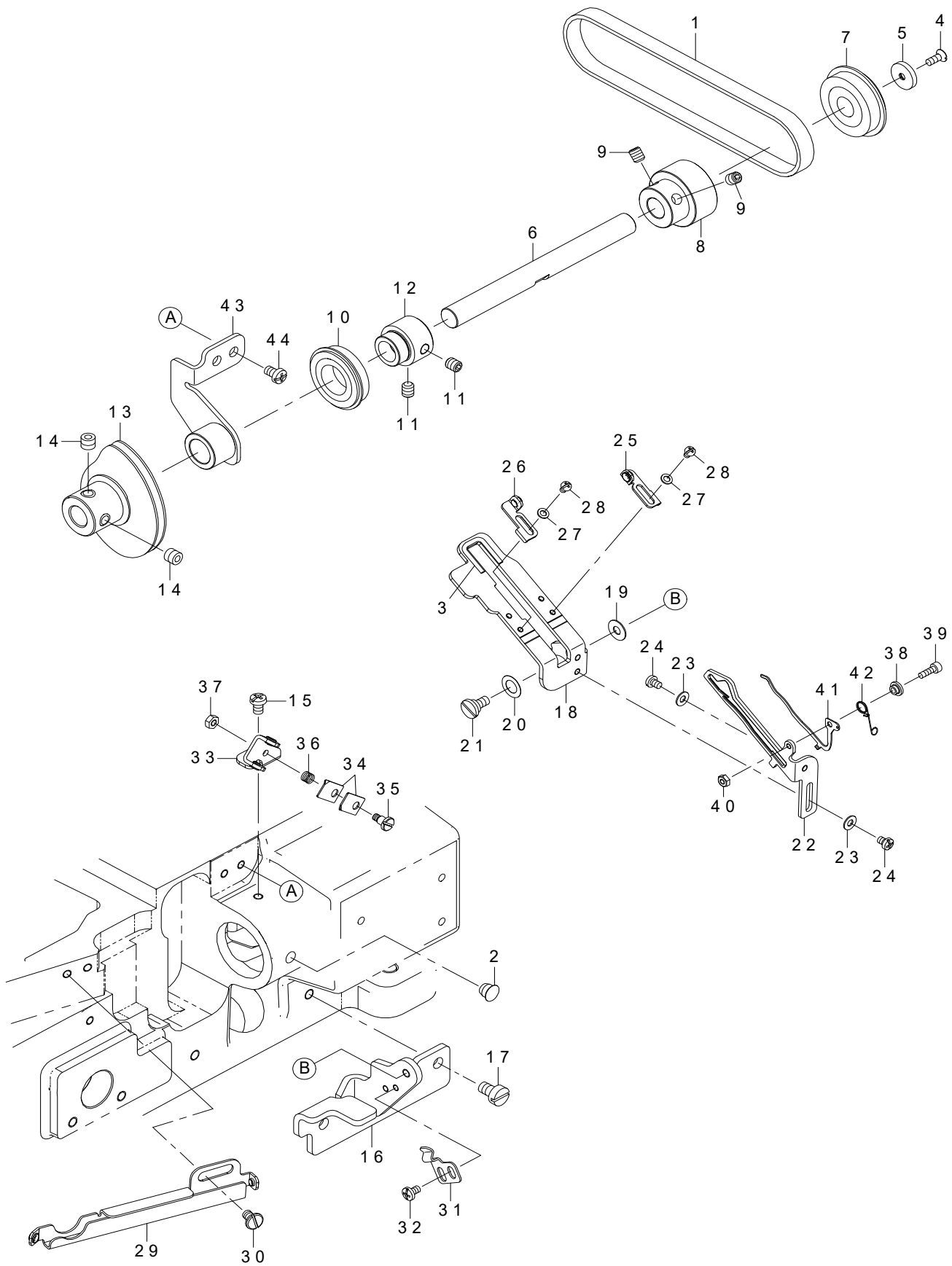
REF.NO	NOTE	PART NO	DESCRIPTION	Qty
1		SM-6051002-TP	SCREW M5X0.8 L=10	1
2		WS-0510002-KP	SPRING WASHER 5.1X9.2X1.3	1
3		700-01537	SHAFT	1
4		WP-0522016-SH	WASHER	1
5		133-24504	BUSHING REAR	1
6		CS-1000881-TP	THRUST COLLAR D=10 W=8	1
7		SM-8050612-TP	SCREW M5X6	2
8		133-24603	BUSHING FRONT	1
9		236-12609	FEED CHANGING SHAFT OIL SEAL	1
10		133-24702	HOLDER TAKE UP EYELET	1
11		WS-0510002-KN	SPRING WASHER M5	1
12		SM-6051402-TP	SCREW M5X0.8 L=14	1
13		700-01548	NDL THD TAKE UP	1
14		133-24900	UP LPR THREAD TAKE UP	1
15		SM-4041055-SP	SCREW	2
16		133-25006	THREAD GUIDE	1
17		SM-4040655-SP	SCREW M4 L=6	2
18		700-01540	THREAD TENSION GUIDE	1
19		133-48008	TANK	1
20		700-01546	SILICONE OIL TANK COVER	1
21		B9214-850-000	HEAT REMOVING FELT	1
22		PS-0150082-KH	SPRING PIN 1.5X8	2
23		ST-4040851-SN	TAPPING SCREW M4X8	2
24		133-25204	HOLDER	1
25		400-74316	NEEDLE_THREAD_EYELET	3
26		SM-8030312-TP	SCREW M3 L=3	3
27		SM-4030855-SN	SCREW M3 L=8.0	1
28		SM-4040655-SP	SCREW M4 L=6	2
29		700-01541	THREAD GUIDE	1
30		SM-4040655-SP	SCREW M4 L=6	1
31		700-01542	THREAD GUIDE	1
32		700-01543	NDL THD STRIKE OFF	1
33		SM-4040655-SP	SCREW M4 L=6	1
34		PS-0400082-KP	SPRING PIN TYPE W 4X8	1
35		133-26905	NDL THD STRIKE OFF R	1
36		WP-0280501-SC	WASHER M2.6	1
37		SM-4850455-SP	SCREW	1
38		SM-1040650-TP	SCREW	1
39		133-26301	THREAD GUIDE UPPER LPR	1
40		133-26400	THREAD GUIDE	1
41		229-45802	THREAD TENSION DISK	2
42		133-26509	TENSION POST	1
43		229-45505	THREAD TENSION SPRING	1
44		133-26608	TENSION NUT	1
45		NM-6050001-SC	NUT M5X0.8 TYPE1	1
46		WP-0450826-SC	WASHER 4.5X10X0.8	2
47		SM-6040800-SP	SCREW	2
48		133-25808	NIPPER PLATE SUPPORT	1
49		133-25907	NIPPER PLATE	1
50		133-26004	NIPPER GUIDE PLATE	1
51		133-26103	SPRING	1
52		133-26202	SHOULDER SCREW	1
53		SM-4040655-SP	SCREW M4 L=6	1
54		133-26707	THREAD GUIDE	1
55		400-85995	FINGER GUARD	1
56		SM-4040655-SP	SCREW M4 L=6	2
57		WP-0450801-SC	WASHER 4.5X10X0.8	3
58		700-01544	TAKE UP COVER	1
59		SM-1040750-TP	SCREW M4 L=7	1
60		700-01545	FINGER GUARD	1

8. SPREADER COMPONENTS



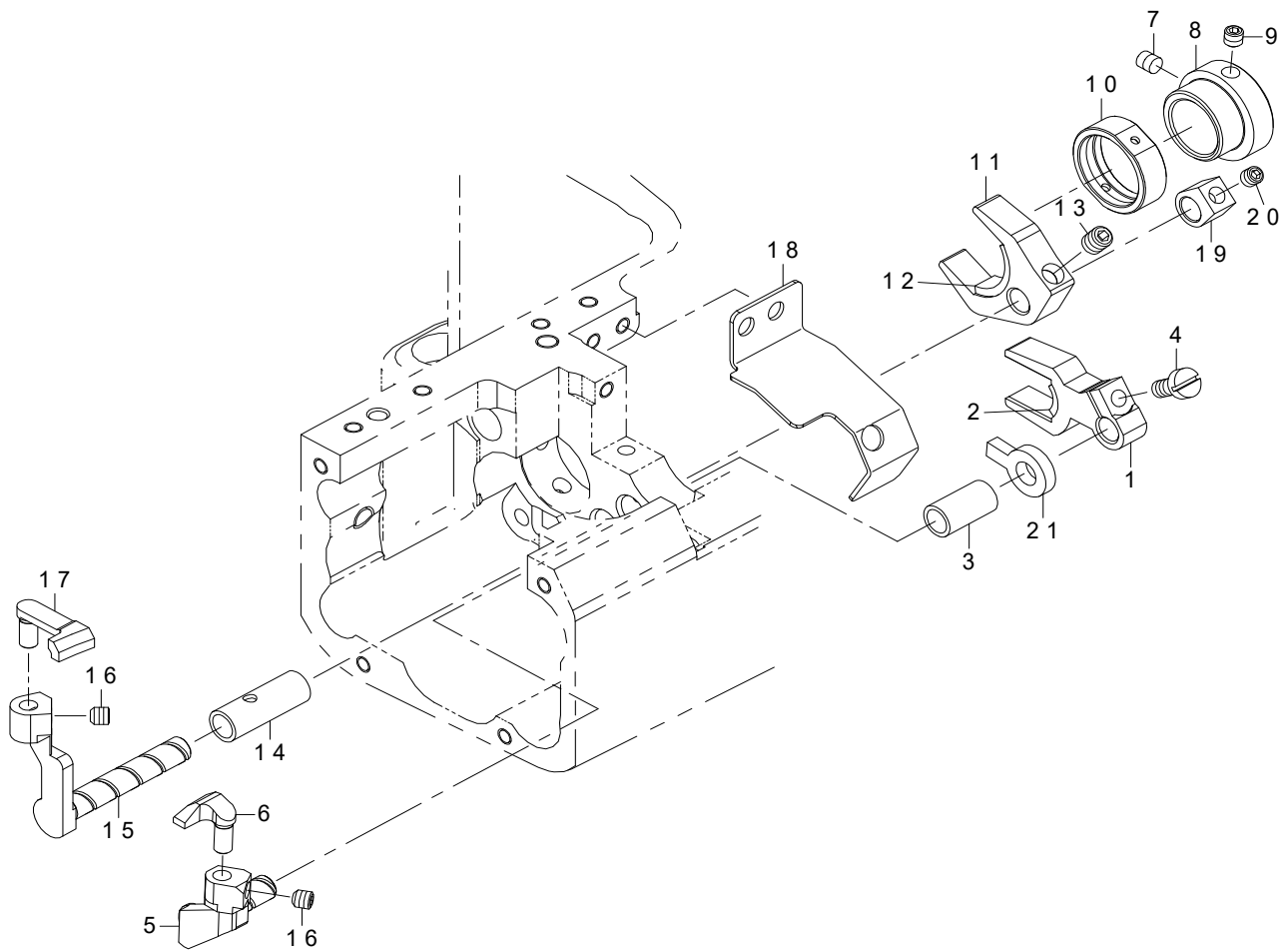
REF.NO	NOTE	PART NO	DESCRIPTION	Qty
1		400-78318	ASSY UPPPER LPR MECH	1
2		400-78319	CONNROD FOR UPPER LPR	(1)
3		133-28000	UPPER LOOPER ECCENTRIC	(1)
4		133-28208	STUD	(1)
5		SM-8050412-TP	SCREW M5 L=4	(2)
6		700-01555	DRIVING ARM	1
7		WP-0550800-SP	WASHER 5.5X10X0.8	1
8		NM-6050001-SC	NUT M5X0.8 TYPE1	1
9		SM-6061402-TP	SCREW M6 L=14	1
10		700-01561	UPPER LOOPER SHAFT DRY	1
11		133-99209	COLLAR	2
12		SM-8040412-TP	SCREW M4X4	4
13		133-29008	BUSHING REAR	1
14		700-01562	BUSHING FRONT DRY	1
15		400-78311	ASSY UPPER LPR MECH 2	1
16		400-78312	CRANK ROD	(1)
17		400-78313	UPPER LOOPER ROCKER	(1)
18		400-78314	U.L SHAFT VERTICAL	(1)
19		SM-8060612-TP	SCREW M6 L=6	(1)
20		SM-9061050-TP	SCREW M6 L=10	(1)
21		401-72767	OIL SEAL	1
22		133-29206	BUSHING VERTICAL	1
23		133-38900	OIL SEAL	1
24		WP-1022016-SH	WASHER	1
25		CS-1000881-TP	THRUST COLLAR D=10 W=8	1
26		SM-8050412-TP	SCREW M5 L=4	2
27		133-28802	UPPER LOOPER HOLDER	1
28		SM-6041200-SP	SCREW M4 L=12	1
29	#01	700-04223	UPPER_LOOPER	1
30		SM-6041000-SP	SCREW M4 L=10	1
31	#02	700-04224	UPPER_LOOPER	1
32		TA-0600401-R0	PLUG	1
33		400-78293	PLUG	1
		NOTE	#01....EXCEPT TYPE TURKEY (UT37A,UT57A)	
			#02....TYPE TURKEY (UT37A,UT57A)	

9. LOWER THREAD CAM COMPONENTS



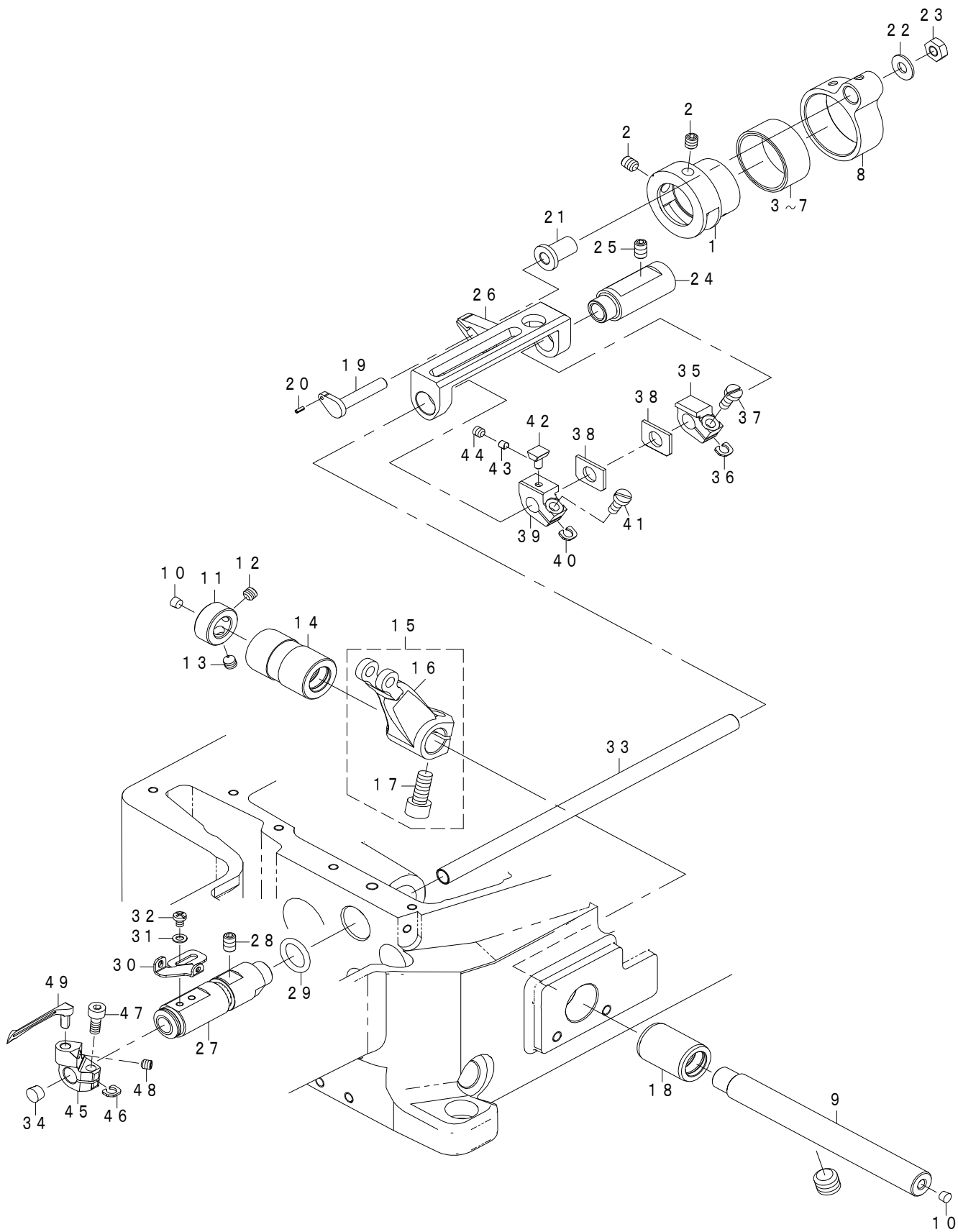
REF.NO	NOTE	PART NO	DESCRIPTION	Qty
1		700-01988	BELT TAKE UP	1
2		TA-0620504-R0	CAP	1
3		400-87068	CAM THREAD CATCH	1
4		SM-1030800-SM	SCREW M3X0.5 L=8	1
5		133-32606	WASHER TAKE UP	1
6		700-01729	SHAFT TAKE UP	1
7		SB-1100018-00	BEARING	1
8		133-31301	SPROCKET TAKE UP	1
9		SM-8050612-TP	SCREW M5X6	2
10		SB-1150006-00	BALL BEARING	1
11		SM-8050612-TP	SCREW M5X6	2
12		700-01754	COUPLING	1
13		400-19335	ASSY TAKE UP	1
14		SM-8060552-TP	SCREW M6 L=5	2
15		SM-4040655-SP	SCREW M4 L=6	1
16		700-01734	TAKE UP PLATE BASE	1
17		SM-6050800-SP	SCREW M5 L=8	2
18		700-01735	TAKE UP PLATE	1
19		WP-0410516-SD	PLAIN WASHER	1
20		WZ-0641510-KP	WAVED WASHER 6.4X11X0.3	1
21		SD-0640246-SP	HINGE SCREW D=6.35 H=2.4	1
22		700-01752	THREAD GUIDE	1
23		WP-0320501-SC	WASHER M3	3
24		SM-4030455-SP	SCREW	3
25		401-00773	EYELET L ASSY	1
26		401-00771	EYELET R ASSY	1
27		WP-0280500-SC	WASHER	2
28		SM-4850455-SP	SCREW	2
29		700-01738	ASSY THREAD GUIDE	1
30		SM-6040650-TP	SCREW	2
31		700-01745	SPRING	1
32		SM-5030555-SN	SCREW M3 L=5	2
33		700-01764	NIPPER PLATE ASSY	1
34		401-00769	NIPPER SPRING PLATE	2
35		133-26202	SHOULDER SCREW	1
36		134-02805	SPRING	1
37		NM-6030001-SC	NUT M3X0.5 TYPE1	1
38		700-01584	SPRING COLLAR	1
39		SM-6850802-TN	SCREW M2.5 L=8	1
40		NM-6850001-SC	NUT M2.5X0.45 TYPE1	1
41		700-01751	THREAD GUIDE PLATE	1
42		700-01753	THREAD GUIDE PLATE SPRING	1
43		700-01758	SHAFT TAKE UP COVER ASSY	1
44		SM-4040655-SP	SCREW M4 L=6	2

10. NEEDLE GUARD COMPONENTS



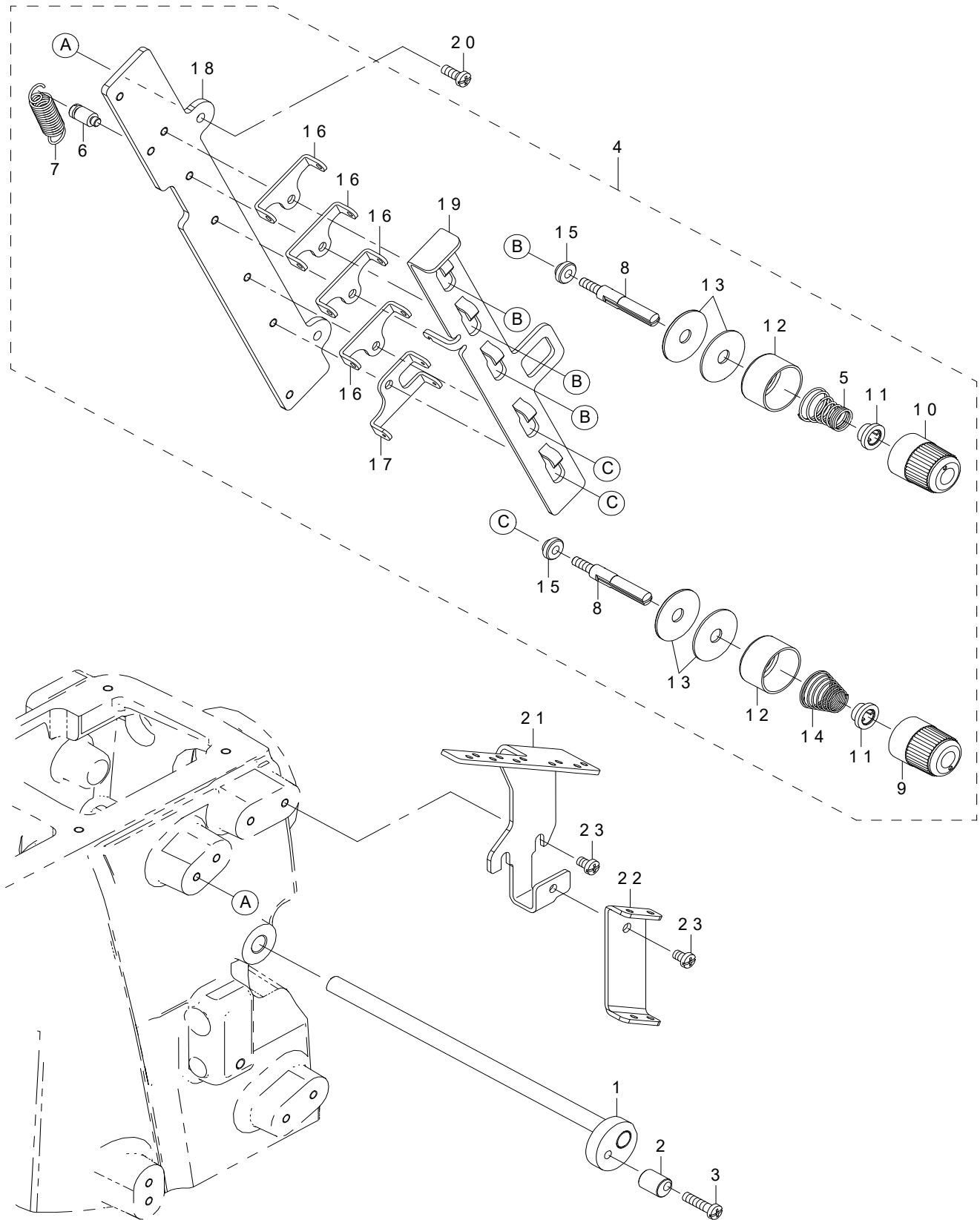
REF.NO	NOTE	PART NO	DESCRIPTION	Qty
1		134-20401	FORK FRONT NDL GUARD	1
2		134-21201	FELT FRONT NDL GUARD	1
3		700-01749	BUSH FRONT NDL GUARD	1
4		SM-6040800-SP	SCREW	1
5		134-20500	HOLDER FRONT NDL GUARD	1
6		134-20609	FRONT NDL GUARD	1
7		SM-8040412-TP	SET SCREW M4 L=4	1
8		134-20005	CAM REAR NDL GUARD	1
9		SM-8040412-TP	SET SCREW M4 L=4	1
10		134-21003	REAR NEEDLE GUARD BLOCK	1
11		134-20104	FORK REAR NDL GUARD	1
12		134-21300	FELT REAR NDL GUARD	1
13		SM-8050612-TP	SCREW M5X6	1
14		700-01750	BUSH REAR NDL GUARD	1
15		134-20203	REAR NDL GUARD HOLDER	1
16		SM-8040412-TP	SET SCREW M4 L=4	2
17		134-20302	REAR NEEDLE GUARD	1
18		134-20906	NDL GUARD COVER	1
19		134-21409	COLLER FOR NDL GUARD	1
20		SM-8040412-TP	SET SCREW M4 L=4	1
21		700-01954	FELT FOR NEEDLE GUARD	1

11. LOOPER COMPONENTS



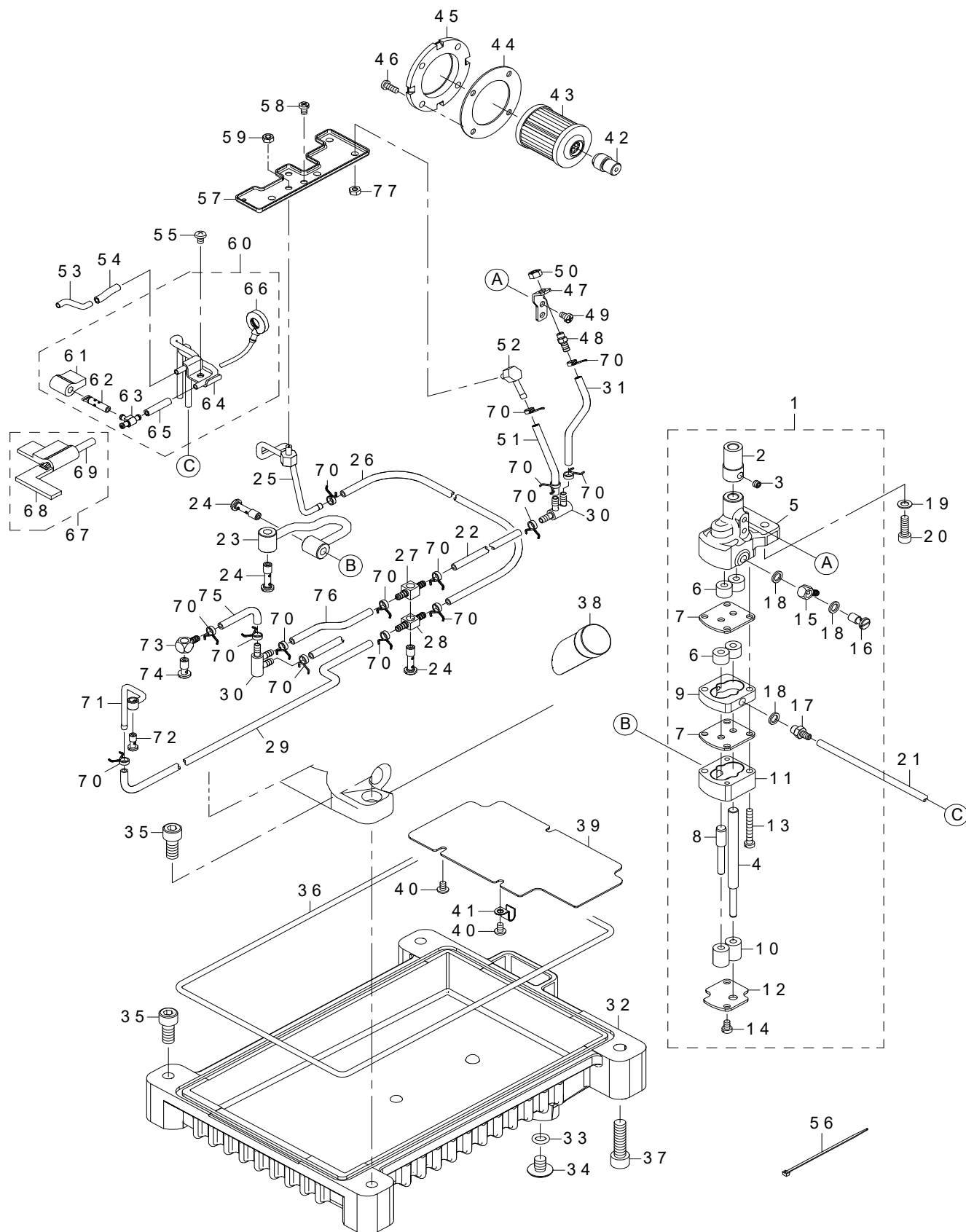
REF.NO	NOTE	PART NO	DESCRIPTION	Qty
1		134-22001	LOOPER ADOID ECCENTRIC	1
2		SM-8050612-TP	SCREW M5X6	2
3	#01	SB-3260002-0A	BEARING	1
4	#01	SB-3260002-0B	BEARING	1
5	#01	SB-3260002-0C	BEARING	1
6	#01	SB-3260002-0D	BEARING	1
7	#01	SB-3260002-0E	BEARING	1
8		134-22605	LOOPER AVOID LINK	1
9		134-24304	LOOPER SHAFT	1
10		TA-0400301-M0	PLUG D=4X4.5 L=3	2
11		CS-1000881-TP	THRUST COLLAR	1
12		SM-8050412-TP	SCREW M5 L=4	1
13		SM-8050642-TP	SCREW	1
14		134-23900	BUSHING REAR	1
15		134-24452	LEVER ASSY	1
16		134-24403	LEVER	(1)
17		SM-6061402-TP	SCREW M6 L=14	(1)
18		134-24502	BUSHING FRONT	1
19		134-22704	LOOPER AVOID PIN	1
20		PS-0150042-K0	SPRING PIN 1.5X 4	1
21		134-22803	BUSHING	1
22		131-20605	WASHER	1
23		NM-6050001-SC	NUT M5X0.8 TYPE1	1
24		134-23009	BUSHING RIGHT	1
25		SM-8050812-TP	SCREW M5X8	1
26		134-22902	GUIDE LOOPER BAR	1
27	*	700-04367	BUSHING_LEFT	1
28		SM-8050812-TP	SCREW M5X8	1
29		RO-1182401-00	O-RING	1
30	*	700-04729	THREAD_GUIDE	1
31		WP-0320500-SC	WASHER M3	2
32		SM-4030455-SP	SCREW	2
33		134-24601	LOOPER BAR	1
34		TA-0600401-R0	PLUG	1
35		134-23405	HOLDER	1
36		134-23801	WASHER	1
37		SM-6041000-SP	SCREW M4 L=10	1
38		134-23603	WASHER	2
39		134-23504	SLIDER HOLDER	1
40		134-23801	WASHER	1
41		SM-6041000-SP	SCREW M4 L=10	1
42		134-23306	SLIDER	1
43		134-23702	PIN	1
44		SM-8040412-TP	SET SCREW M4 L=4	1
45		134-24700	LOOPER HOLDER	1
46		134-23801	WASHER	1
47		SM-6041002-TP	SCREW M4 L=10	1
48		SM-8040412-TP	SET SCREW M4 L=4	1
49		134-24809	LOOPER	1
		NOTE	#01....SELECTIVE PARTS	

12. THREAD TENSION COMPONENTS



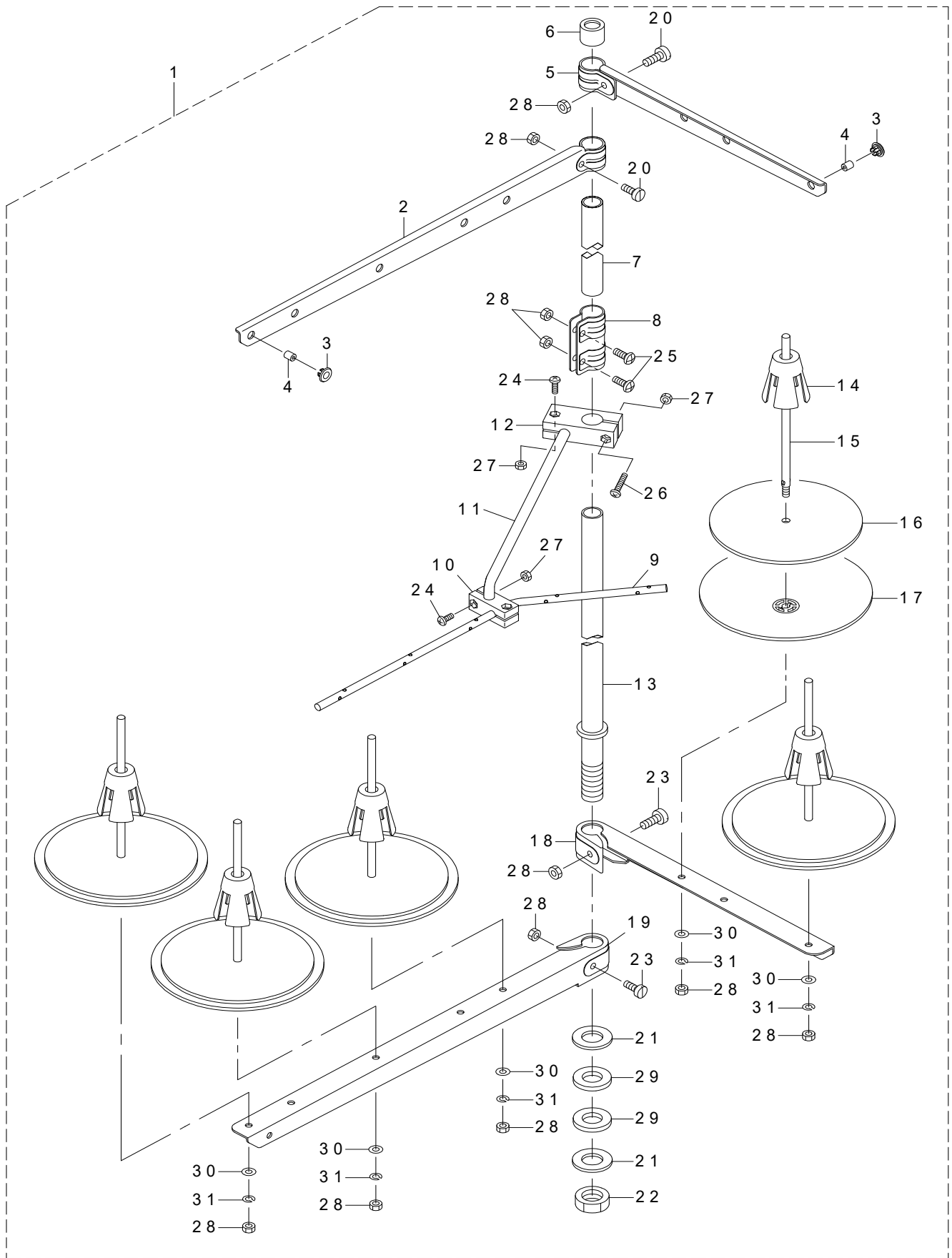
REF.NO	NOTE	PART NO	DESCRIPTION	Qty
1		700-01610	ASSY PULL OFF LEVER	1
2		400-65785	TENS RELEASE ADJ ECC	1
3		SM-4041655-SP	SCREW M4 L=16	1
4		700-01612	THREAD TENSION ASSY	1
5		131-40504	TENSION SPRING	(3)
6		133-40302	SHOULDER SCREW	(1)
7		260-19000	THREAD TENSION SPRING	(1)
8		700-01620	TENSION POST	(5)
9		400-42363	KNOB	(2)
10		400-42364	KNOB GREEN	(3)
11		400-42365	SPRING BUSHING	(5)
12		400-42366	THREAD TENSION DISK PRESSER	(5)
13		401-01602	THREAD TENSION DISC	(10)
14		401-02003	SPRING	(2)
15		700-01617	SPACER	(5)
16		700-01615	TENSION DISC EYELET A	(4)
17		700-01616	TENSION DISC EYELET B	(1)
18		700-01613	TENSION POST SUPPORT	(1)
19		700-01614	TENSION DISC SEPARATOR	(1)
20		SM-4041055-SP	SCREW	2
21		133-40005	THREAD GUIDE PLATE	1
22		133-40104	THREAD GUIDE	1
23		SM-4040655-SP	SCREW M4 L=6	3

13. LUBRICATION COMPONENTS



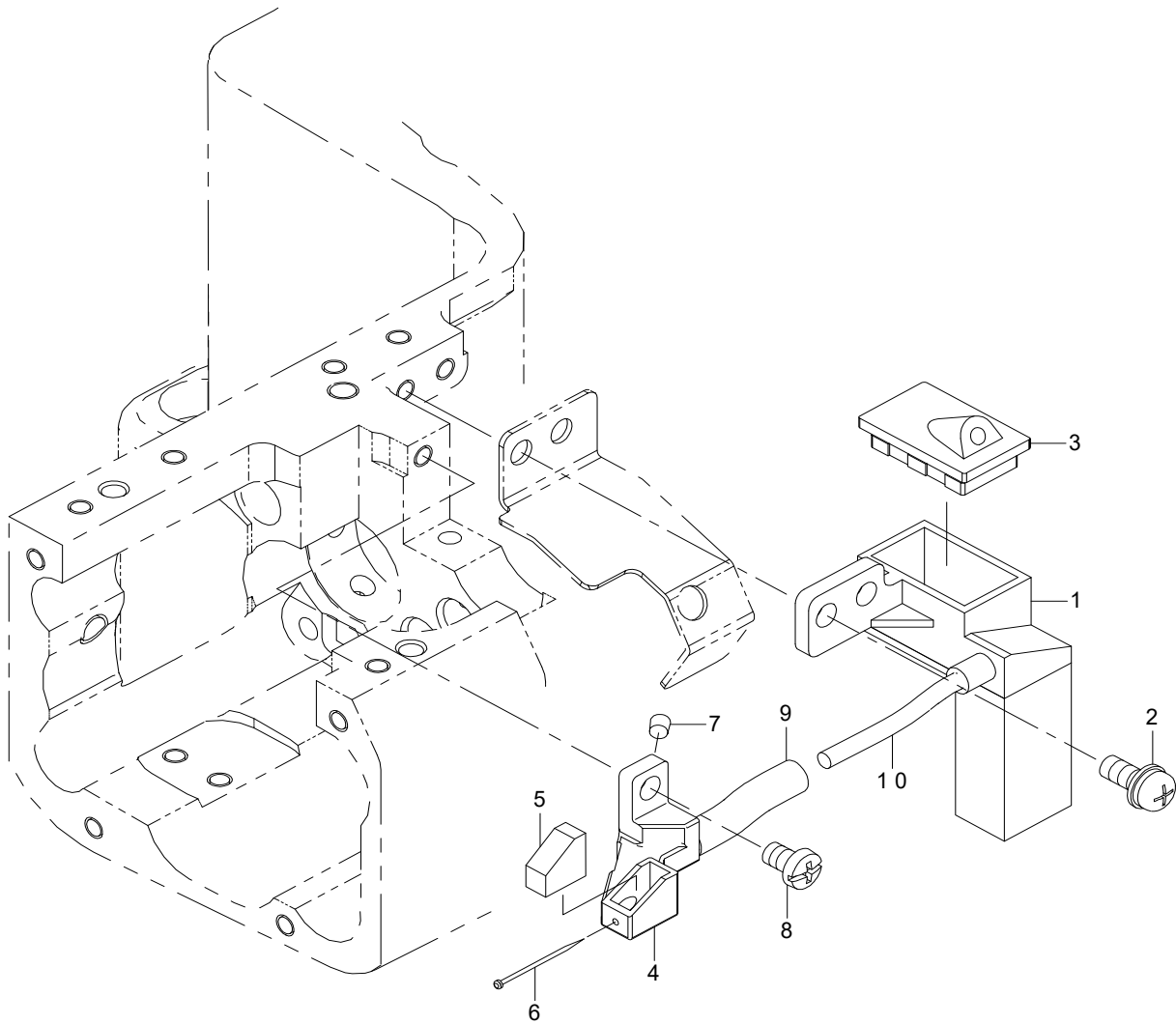
REF.NO	NOTE	PART NO	DESCRIPTION	Qty
1		134-26051	ASSY_PUMP_3-STAGE	1
2		133-43009	WORM WHEEL	(1)
3		SM-8050412-TP	SCREW M5 L=4	(2)
4		134-26002	OIL PUMP SHAFT LARGE	(1)
5		133-43108	OIL PUMP HOUSING	(1)
6		132-28309	OIL PUMP PINION	(4)
7		133-43405	OIL PUMP SPACER	(2)
8		134-26101	OIL PUMP SHAFT SMALL	(1)
9		134-26200	OIL PUMP CASING UPPER	(1)
10		132-28200	OIL PUMP PINION	(2)
11		133-43207	OIL PUMP CASING	(1)
12		133-43306	OIL PUMP COVER	(1)
13		SM-6043000-SP	SCREW	(2)
14		SM-6040600-SP	SCREW M4 L=6	(2)
15		SQ-0000451-MZ	CONNECTING SCREW	(1)
16		SQ-2060443-SD	CONNECTING SCREW	(1)
17		SQ-2060451-MZ	CONNECTING SCREW	(1)
18		400-04749	GASKET	(3)
19		WP-0550800-SP	WASHER 5.5X10X0.8	2
20		SM-6051602-TP	SCREW M5X0.8 L=16	2
21		236-30007	TUBE	0.2
22		BP-3000001-OR	VINYL PIPE	0.05
23		134-27257	ASSY_OIL_PIPE	1
24		SQ-2060442-SD	CONNECTING SCREW	3
25		133-45053	ASSY_OIL_SUPPLY_FOR_TOP	1
26		BP-3000001-OR	VINYL PIPE	0.5
27		SQ-0000453-MZ	CONNECTING SCREW	1
28		SQ-0000454-MZ	CONNECTING SCREW	1
29		BP-3000001-OR	VINYL PIPE	0.13
30		236-29504	DISTRIBUTOR	2
31		BP-3000001-OR	VINYL PIPE	1
32		700-01769	OIL_PAN	1
33		131-70105	RUBBER RING	1
34		131-71004	DRAIN SCREW	1
35		SM-6081802-TP	SCREW	3
36		134-26408	O RING	1
37		SM-6083002-TP	SCREW M8 L=30	1
38		133-46101	OIL SIGHT GAUGE	1
39		700-01770	DUSTPROOF_PLATE	1
40		SM-4040655-SP	SCREW M4 L=6	3
41		134-27604	TUBE HOLDER	1
42		133-43801	FITTING FILTER	1
43		131-42500	CARTRIDGE FILTER	1
44		133-44809	GASKET O	1
45		133-45202	FILTER_COVER	1
46		SM-4041055-SP	SCREW	4
47		134-27307	CONNECTING_SCR_BRACKET	1
48		SQ-2050452-MZ	CONNECTING SCREW	1
49		SM-4040655-SP	SCREW M4 L=6	2
50		NM-6050001-SC	NUT M5X0.8 TYPE1	1
51		BP-3000001-OR	VINYL PIPE	0.3
52		700-01975	ASSY_OIL_SUPPLY	1
53		134-28008	OIL_SUCTION_FOR_BUSHING	1
54		236-30007	TUBE	0.02
55		SM-4040655-SP	SCREW M4 L=6	1
56		EA-9500B01-00	CABLE BAND	2
57		700-01631	OIL_SAUCER	1
58		SM-4040655-SP	SCREW M4 L=6	2
59		NM-6040000-SN	NUT M4	1
60		134-27851	ASSY_BED_SUCTION	1
61		134-27802	FELT_FOR_BED_SUCTION	(1)
62		134-28305	OIL_TUBE_FOR_SUCTION	(1)
63		137-65607	OIL_CONNEC_ARM	(1)
64		134-26754	OIL_SUCTION_ASSY	(1)
65		236-30007	TUBE	(0.03)
66		134-28255	ASSY_LOOPER_SUCTION	(1)
67		134-27752	ASSY_CYLINDER_SUCTION	1
68		134-27703	FELT_FOR_C_SUCTION	(1)
69		133-46408	OIL_TUBE_FOR_SUCTION	(1)
70		236-29306	PIPE_STOPPER_A	15
71		134-27455	ASSY_OIL_SUPPLY_FOR_LMS	1
72		SQ-2050391-SD	CONNECTING SCREW	1
73		SQ-0000452-MZ	CONNECTING SCREW	1
74		SQ-2060443-SD	CONNECTING SCREW	1
75		BP-3000001-OR	VINYL PIPE	0.04
76		BP-3000001-OR	VINYL PIPE	0.05
77		NM-6040000-SN	NUT M4	1

14. THREAD STAND COMPONENTS



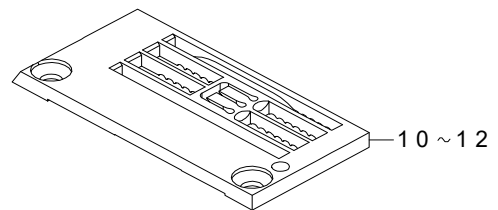
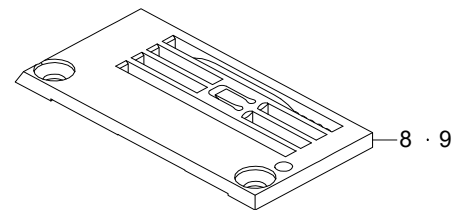
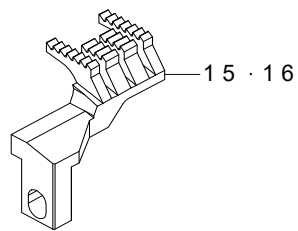
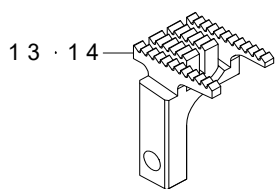
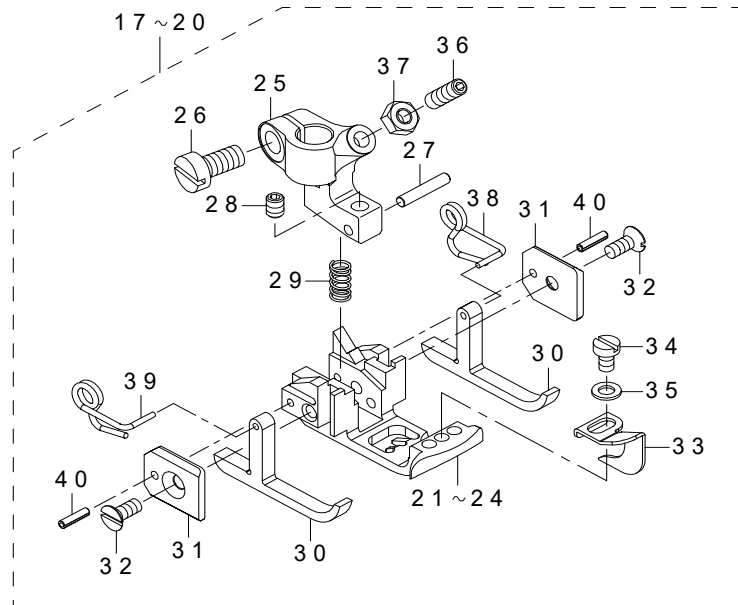
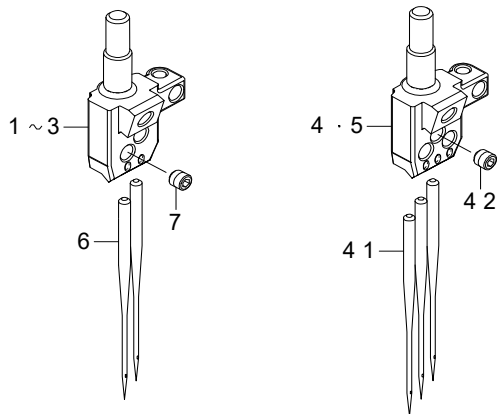
REF.NO	NOTE	PART NO	DESCRIPTION	Qty
1		401-06591	THREAD STAND ASM.	1
2		401-06575	SPOOL REST LONG ARM UPPER	(1)
3		400-85794	THREAD GUIDE	(5)
4		400-85795	THREAD GUIDE BUSHING	(5)
5		400-85787	SPOOL REST ARM UPPER	(1)
6		400-85793	SPOOL REST ROD RUBBER CAP	(1)
7		400-85785	SPOOL REST ROD UPPER	(1)
8		400-85792	SPOOL REST ROD JOINT	(1)
9		401-06581	THREAD GUIDE 5	(1)
10		401-06580	THREAD GUIDE UNDER BASE	(1)
11		401-06576	THREAD GUIDE ARM	(1)
12		401-06579	THREAD GUIDE ARM BASE	(1)
13		400-85784	SPOOL REST ROD LOWER	(1)
14		400-85791	SPOOL RETAINER	(5)
15		400-85790	SPOOL PIN	(5)
16		400-85789	SPOOL REST CUSHION	(5)
17		400-85788	SPOOL REST	(5)
18		400-85786	SPOOL REST ARM LOWER	(1)
19		401-06574	SPOOL REST LONG ARM LOWER	(1)
20		400-96327	SPOOL REST ARM UPPER SCREW	(2)
21		400-85796	SPOOL REST ROD RUBBER CUSHION	(2)
22		400-96325	SPOOL REST ROD NUT	(1)
23		400-96326	SPOOL REST ARM LOWER SCREW	(2)
24		SM-4041201-SC	SCREW_M4X0.7_L=12	(3)
25		SM-4051405-SE	SCREW M5 L=14	(2)
26		SM-4042501-SC	SCREW M4X0.7 L=25	(1)
27		NM-6040002-SC	NUT_M4X0.7 TYPE2	(4)
28		NM-6050001-SE	NUT M5X0.8 TYPE1	(11)
29		WP-1612616-SE	WASHER 16X30X2.6	(2)
30		WP-0531001-SC	WASHER M5	(5)
31		WS-0510002-KN	SPRING WASHER M5	(5)

15. NEEDLE COOLING COMPONENTS



REF.NO	NOTE	PART NO	DESCRIPTION	Qty
1		134-29055	SILICONE OIL TANK ASSY	1
2		SL-4041081-SC	SCREW M4 L=10	2
3		134-29105	SILICONE OIL TANK CAP	1
4		134-29204	SILICONE OIL CUP	1
5		134-29303	FELT	1
6		118-56101	NEEDLE COOLER PIN	1
7		TA-0290301-M0	PLUG	1
8		SM-4040655-SP	SCREW M4 L=6	1
9		BT-0600402-EA	OIL TUBE	0.03
10		CQ-3030000-00	OIL WICK	0.1

16. GAUGE PARTS COMPONENTS

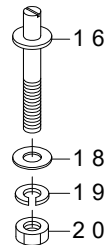
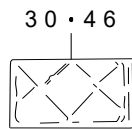
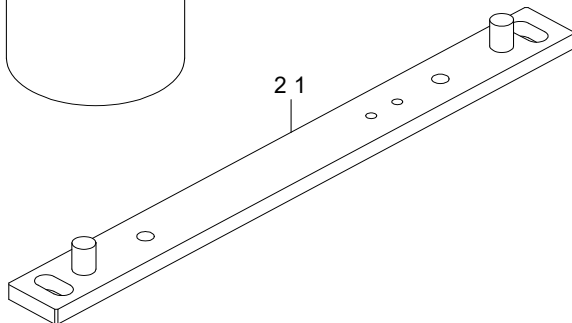
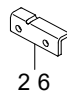
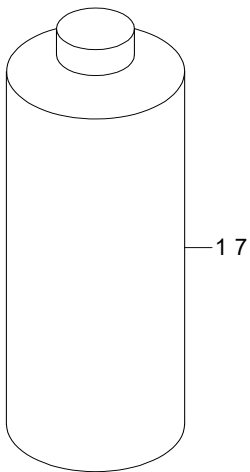
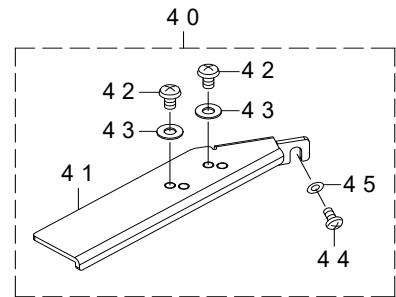
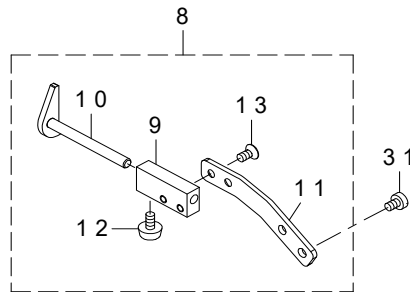
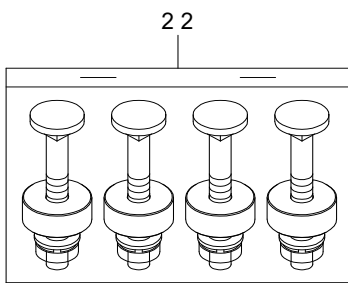
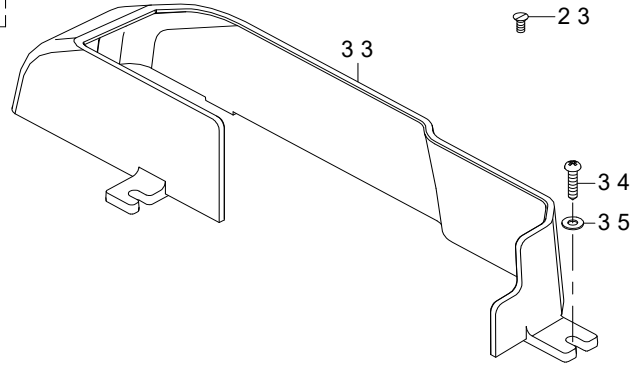
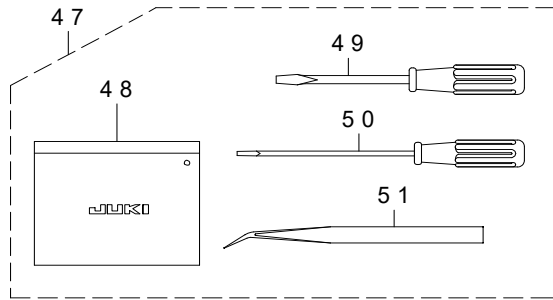
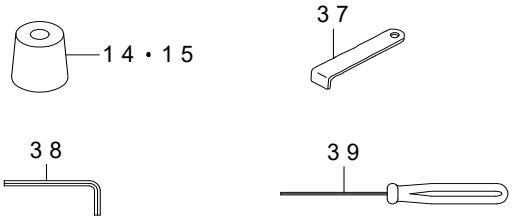
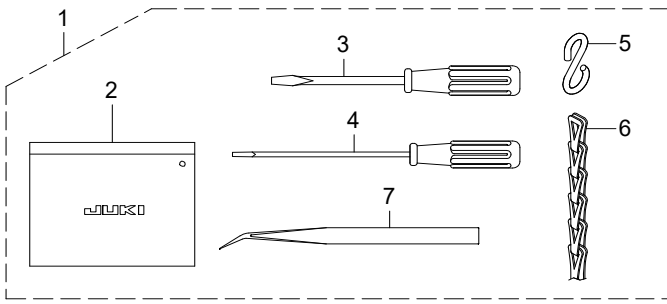


REF.NO	NOTE	PART NO	DESCRIPTION	Qty
1	#01	133-50004	NEEDLE HEAD 32	1
2	#02	133-50103	NEEDLE HEAD 40	1
3	#03	133-50509	NEEDLE HEAD 48	1
4	#04	133-50301	NEEDLE HEAD 56	1
5	#05	133-50400	NEEDLE HEAD 64	1
6		MUY-128S1000	NEEDLE	2
7		SM-8030312-TP	SCREW M3 L=3	3
8	#01	400-58587	THROAT PLATE	1
9	#02	400-58706	THROAT PLATE	1
10	#03	400-40514	THROAT PLATE	1
11	#04	400-58033	THROAT PLATE	1
12	#05	400-40513	THROAT PLATE	1
13	#06	134-31200	MAIN FEED DOG	1
14	#07	134-30103	MAIN FEED DOG	1
15	#06	134-33503	DIFF FEED DOG	1
16	#07	134-32109	DIFF FEED DOG	1
17	#01	400-90133	PRESSER FOOT ASSY	1
18	#02	400-90196	PRESSER FOOT ASSY	1
19	#03	400-90197	PRESSER FOOT ASSY	1
20	#07	400-82974	PRESSER FOOT ASSY	1
21	#01	400-90130	PRESSER FOOT BOTTOM	(1)
22	#02	400-90131	PRESSER FOOT BOTTOM	(1)
23	#03	400-90132	PRESSER FOOT BOTTOM	(1)
24	#07	400-82975	PRESSER FOOT BOTTOM	(1)
25		400-70224	PRESSER FOOT HINGE	(1)
26		SM-6040800-SP	SCREW	(1)
27		133-75209	PIVOT PIN	(1)
28		SM-8030412-TP	SCREW	(1)
29		133-77106	SPRING	(1)
30		400-70226	P F YIELDING SECTION	(2)
31		400-70227	GUIDE PLATE	(2)
32		SM-1850600-SP	SCREW	(2)
33		400-70231	PRESSER FOOT GUIDE	(1)
34		SM-6850400-SP	SCREW M2.5 L=4	(1)
35		WP-0280500-SC	WASHER	(1)
36		SM-8031002-TP	SCREW	(1)
37		NM-6030001-SD	NUT M3X0.5	(1)
38		400-70230	SPRING R	(1)
39		400-70229	SPRING L	(1)
40		PS-0150065-KP	SPRING PIN 1.5X6	(2)
41		MUY-128S1000	NEEDLE	3
42		SM-8030312-TP	SCREW M3 L=3	4

NOTE

#01....FOR B32
#02....FOR B40
#03....FOR B48
#04....FOR B56
#05....FOR B64
#06....FOR B32,B40,48
#07....FOR B56,B64

17. ACCESSORIES PARTS COMPONENTS



REF.NO	NOTE	PART NO	DESCRIPTION	Qty
1		400-13913	ACCESSORY_BAG_ASSY	1
2		229-32800	ACCESSORIE BAG	(1)
3		229-33105	SCREW DRIVER,MIDDLE	(1)
4		123-47308	SCREW DRIVER (SMALL)	(1)
5		131-60304	S SHAPED HOOK	(2)
6		700-01840	CHAIN	(1)
7		122-88403	TWEEZERS	(1)
8		700-01964	HEM_GUIDE_BASE_ASSY	1
9		700-01963	HEM_GUIDE_BASE_2	(1)
10		700-01967	HEM_GUIDE	(1)
11		700-01962	HEM_GUIDE_BASE_1	(1)
12		400-19379	KNOB_SCREW	(1)
13		SM-1040801-SC	SCREW M4X0.7 L=8	(2)
14		400-72505	ISOLATOR	1
15		131-55403	ISOLATOR	3
16		133-49600	PIN_FOR RUBBER CUSHION	4
17		MML-018800CB	JUKI CORPORATION GENUINE OIL 18	1
18		WP-0851216-SC	WASHER 8.5X18.0X1.2	4
19		WS-0820002-KR	SPRING WASHER, M8	4
20		NM-6080001-SC	NUT M8X1.25	4
21	#01	133-48859	SUPPORT_PLATE_ASSY	2
22	#01	400-26691	ASSY_BOLT_SET(7800_SUBMERGED)	1
23		133-02203	SCREW	1
24		700-01813	COVERING_GUIDE_RIGHT	1
25		700-01814	COVERING_GUIDE_LEFT	1
26		700-01847	BRACKET	1
27		700-01838	COVERING_GUARD_L	1
28		700-01839	COVERING_GUARD_R	1
29		700-01848	BRACKET	1
30	#02	400-66644	HEAD_COVER	1
31		SM-6040650-TP	SCREW	2
32		700-01842	GUIDE_LEFT	1
33		700-01832	BELT_COVER	1
34		SK-3412001-SE	WOOD SCREW D=4.1 L=20	3
35		WP-0450826-SC	WASHER 4.5X10X0.8	3
36		MUY-128S1003	NEEDLES(PACKAGE_OF_3)	1
37		B9101-490-000	DRIVER	1
38		J1066-000-00B	HEXAGONAL WRENCH KEY (2MM)	1
39		400-32763	HEXAGONAL DRIVER(1.5)	1
40		700-01845	BINDER_BRACKET_ASSY	1
41		700-01844	BINDER_BRACKET	(1)
42		SM-5050855-SN	SCREW M5 L=8	(2)
43		WP-0550836-SC	WASHER 5.5X12X0.8	(2)
44		SM-4040855-SP	SCREW	(2)
45		WP-0450801-SC	WASHER 4.5X10X0.8	(2)
46		400-66645	HEAD_COVER	1
47	#02	700-04227	ACCESSORY_BAG_ASSY	1
48		229-32800	ACCESSORIE BAG	(1)
49		229-33105	SCREW DRIVER,MIDDLE	(1)
50		123-47308	SCREW DRIVER (SMALL)	(1)
51		122-88403	TWEEZERS	(1)
		NOTE	#01....SEMI-SUBMERGED TYPE #02....FOR UT	

NUMERICAL INDEX OF PARTS

PART NO	PAGE	REF NO	PART NO	PAGE	REF NO	PART NO	PAGE	REF NO	PART NO	PAGE	REF NO
BP-3000001-0R	26	22	RO-0552001-00	10	77	SM-4041055-SP	26	46	SM-8040412-TP	20	16
BP-3000001-0R	26	26	RO-0681901-00	10	83	SM-4041201-SC	28	24	SM-8040412-TP	20	20
BP-3000001-0R	26	29	RO-0681901-00	12	27	SM-4041655-SP	24	3	SM-8040412-TP	22	44
BP-3000001-0R	26	31	RO-1182401-00	22	29	SM-4042501-SC	28	26	SM-8040412-TP	22	48
BP-3000001-0R	26	51	RO-1952401-00	2	10	SM-4051055-SP	4	64	SM-8040512-TP	8	44
BP-3000001-0R	26	75	RO-4453001-00	6	78	SM-4051255-SP	10	85	SM-8040602-TP	10	72
BP-3000001-0R	26	76				SM-4051405-SE	28	25	SM-8040612-TP	12	18
BT-0600402-EA	30	9	SB-1100018-00	18	7	SM-4060801-SE	2	21	SM-8041012-TP	4	13
B2546-232-000	10	30	SB-1150006-00	18	10	SM-4850455-SP	12	14	SM-8050412-TP	6	26
B3215-470-000	10	74	SB-1150023-00	6	14	SM-4850455-SP	14	37	SM-8050412-TP	16	5
B9101-490-000	34	37	SB-1200018-00	6	4	SM-4850455-SP	18	28	SM-8050412-TP	16	26
B9214-850-000	14	21	SB-1200019-00	6	68	SM-5030555-SN	18	32	SM-8050412-TP	22	12
			SB-1200022-00	6	53	SM-5050855-SN	34	42	SM-8050412-TP	26	3
CM-3002000-01	2	29	SB-3260002-0A	22	3	SM-6030650-TP	12	12	SM-8050612-TP	6	8
CM-3002000-01	2	35	SB-3260002-0B	22	4	SM-6030800-SP	4	47	SM-8050612-TP	6	10
CM-3002000-01	4	63	SB-3260002-0C	22	5	SM-6040600-SP	26	14	SM-8050612-TP	10	14
CM-3012000-01	2	26	SB-3260002-0D	22	6	SM-6040650-TP	18	30	SM-8050612-TP	10	20
CQ-2000000-00	10	48	SB-3260002-0E	22	7	SM-6040650-TP	34	31	SM-8050612-TP	10	31
CQ-2020000-00	10	18	SD-0550906-TP	6	18	SM-6040750-TP	4	16	SM-8050612-TP	10	99
CQ-3000000-01	6	33	SD-0640246-SP	2	20	SM-6040750-TP	4	19	SM-8050612-TP	12	32
CQ-3000000-01	10	46	SD-0640246-SP	18	21	SM-6040800-SP	4	4	SM-8050612-TP	14	7
CQ-3000000-01	10	57	SD-0700206-TP	8	16	SM-6040800-SP	4	22	SM-8050612-TP	18	9
CQ-3000000-01	10	63	SD-0700586-TP	8	24	SM-6040800-SP	8	38	SM-8050612-TP	18	11
CQ-3030000-00	10	12	SD-0800626-TH	10	60	SM-6040800-SP	10	95	SM-8050612-TP	20	13
CQ-3030000-00	10	19	SD-0801636-TH	10	54	SM-6040800-SP	14	47	SM-8050612-TP	22	2
CQ-3030000-00	10	25	SD-0801866-TH	10	59	SM-6040800-SP	20	4	SM-8050642-TP	22	13
CQ-3030000-00	30	10	SK-3412001-SE	34	34	SM-6040800-SP	32	26	SM-8050812-TP	10	93
CS-1000881-TP	12	31	SL-4041081-SC	30	2	SM-6041000-SP	8	12	SM-8050812-TP	22	25
CS-1000881-TP	14	6	SM-1030800-SM	18	4	SM-6041000-SP	8	55	SM-8050812-TP	22	28
CS-1000881-TP	16	25	SM-1040650-TP	14	38	SM-6041000-SP	10	91	SM-8060552-TP	6	13
CS-1000881-TP	22	11	SM-1040750-TP	14	59	SM-6041000-SP	16	30	SM-8060552-TP	6	23
			SM-1040800-SP	4	36	SM-6041000-SP	22	37	SM-8060552-TP	10	37
EA-9500B01-00	26	56	SM-1040801-SC	34	13	SM-6041000-SP	22	41	SM-8060552-TP	10	44
			SM-1040860-SP	4	25	SM-6041002-TP	22	47	SM-8060552-TP	10	70
J1066-000-00B	34	38	SM-1850600-SP	32	32	SM-6041200-SP	8	14	SM-8060552-TP	10	98
			SM-4030455-SN	2	17	SM-6041200-SP	16	28	SM-8060552-TP	12	2
MML-018800CB	34	17	SM-4030455-SP	18	24	SM-6041202-TP	8	23	SM-8060552-TP	12	13
MUY-128S1000	32	6	SM-4030455-SP	22	32	SM-6042002-TP	10	34	SM-8060552-TP	18	14
MUY-128S1000	32	41	SM-4030655-SP	4	56	SM-6043000-SP	26	13	SM-8060612-TP	4	67
MUY-128S1003	34	36	SM-4030855-SN	2	18	SM-6050800-SP	4	44	SM-8060612-TP	6	6
			SM-4030855-SN	8	46	SM-6050800-SP	18	17	SM-8060612-TP	6	12
NM-6030001-SC	18	37	SM-4030855-SN	14	27	SM-6051002-TP	8	30	SM-8060612-TP	6	48
NM-6030001-SD	32	37	SM-4040655-SP	2	23	SM-6051002-TP	14	1	SM-8060612-TP	6	50
NM-6040000-SN	2	19	SM-4040655-SP	4	6	SM-6051202-TP	8	36	SM-8060612-TP	6	56
NM-6040000-SN	4	14	SM-4040655-SP	4	53	SM-6051202-TP	8	61	SM-8060612-TP	6	64
NM-6040000-SN	4	51	SM-4040655-SP	6	40	SM-6051400-SP	10	32	SM-8060612-TP	6	70
NM-6040000-SN	10	35	SM-4040655-SP	8	10	SM-6051400-SP	12	24	SM-8060612-TP	10	4
NM-6040000-SN	26	59	SM-4040655-SP	12	42	SM-6051402-TP	14	12	SM-8060612-TP	10	8
NM-6040000-SN	26	77	SM-4040655-SP	14	17	SM-6051602-TP	4	55	SM-8060612-TP	10	41
NM-6040002-SC	28	27	SM-4040655-SP	14	28	SM-6051602-TP	26	20	SM-8060612-TP	16	19
NM-6050001-SC	10	33	SM-4040655-SP	14	30	SM-6052502-TP	12	34	SM-8060812-TP	6	36
NM-6050001-SC	10	79	SM-4040655-SP	14	33	SM-6061200-SP	6	73	SM-8060812-TP	6	52
NM-6050001-SC	14	45	SM-4040655-SP	14	53	SM-6061202-TP	8	28	SM-8060812-TP	6	76
NM-6050001-SC	16	8	SM-4040655-SP	14	56	SM-6061402-TP	6	59	SM-8060812-TP	6	80
NM-6050001-SC	22	23	SM-4040655-SP	18	15	SM-6061402-TP	16	9	SM-8060842-TP	6	24
NM-6050001-SC	26	50	SM-4040655-SP	18	44	SM-6061402-TP	22	17	SM-8060842-TP	6	37
NM-6050001-SE	28	28	SM-4040655-SP	24	23	SM-6062550-TP	8	26	SM-8060842-TP	6	47
NM-6060001-CP	8	27	SM-4040655-SP	26	40	SM-6081802-TP	26	35	SM-8060842-TP	6	69
NM-6080001-SC	34	20	SM-4040655-SP	26	49	SM-6083002-TP	26	37	SM-8061212-TP	6	3
NM-6850001-SC	18	40	SM-4040655-SP	26	55	SM-6850400-SP	32	34	SM-8061212-TP	6	45
			SM-4040655-SP	26	58	SM-6850802-TN	18	39	SM-8080812-TP	6	72
PH-0300252-C0	4	7	SM-4040655-SP	30	8	SM-8030312-TP	14	26	SM-8550952-TP	6	42
PS-0150042-K0	22	20	SM-4040855-SP	2	6	SM-8030312-TP	32	7	SM-9061050-TP	16	20
PS-0150065-KP	32	40	SM-4040855-SP	4	18	SM-8030312-TP	32	42	SQ-0000451-MZ	26	15
PS-0150082-KH	14	22	SM-4040855-SP	4	48	SM-8030412-TP	32	28	SQ-0000452-MZ	26	73
PS-0300122-KH	6	32	SM-4040855-SP	4	60	SM-8031002-TP	32	36	SQ-0000453-MZ	26	27
PS-0400082-KP	14	34	SM-4040855-SP	34	44	SM-8040360-TP	4	8	SQ-0000454-MZ	26	28
PS-0500142-KP	8	20	SM-4041055-SP	2	4	SM-8040360-TP	4	38	SQ-2050391-SD	26	72
PS-0500202-KP	12	46	SM-4041055-SP	2	8	SM-8040412-TP	4	34	SQ-2050452-MZ	26	48
			SM-4041055-SP	4	11	SM-8040412-TP	10	53	SQ-2060442-SD	26	24
RC-1900002-KP	4	69	SM-4041055-SP	4	29	SM-8040412-TP	10	73	SQ-2060443-SD	26	16
RE-0300000-K0	12	45	SM-4041055-SP	4	50	SM-8040412-TP	12	7	SQ-2060443-SD	26	74
RE-0500000-K0	10	43	SM-4041055-SP	8	41	SM-8040412-TP	16	12	SQ-2060451-MZ	26	17
RE-0500000-K0	10	78	SM-4041055-SP	14	15	SM-8040412-TP	20	7	ST-4040851-SN	14	23
RO-0371801-00	4	9	SM-4041055-SP	24	20	SM-8040412-TP	20	9			

NUMERICAL INDEX OF PARTS

PART NO	PAGE	REF NO	PART NO	PAGE	REF NO	PART NO	PAGE	REF NO	PART NO	PAGE	REF NO
TA-0290301-M0	30	7	133-01809	4	30	133-75209	32	27	134-21300	20	12
TA-0400301-M0	22	10	133-02203	4	17	133-77106	32	29	134-21409	20	19
TA-0500601-M0	10	47	133-02203	34	23	133-99209	16	11	134-22001	22	1
TA-0500601-M0	10	56	133-02302	4	32	134-01401	4	27	134-22605	22	8
TA-0500601-M0	10	62	133-07251	6	46	134-01906	4	5	134-22704	22	19
TA-0600401-R0	16	32	133-07301	6	51	134-02003	4	24	134-22803	22	21
TA-0600401-R0	22	34	133-08507	6	22	134-02706	4	37	134-22902	22	26
TA-0620504-R0	18	2	133-09208	6	71	134-02805	18	36	134-23009	22	24
TA-0850604-R0	2	32	133-13101	8	3	134-03407	4	28	134-23306	22	42
TA-0850604-R0	2	33	133-13309	8	4	134-03605	4	43	134-23405	22	35
TA-0850604-R0	8	67	133-13804	8	11	134-06707	6	2	134-23504	22	39
TA-0980502-R0	4	23	133-14109	8	15	134-06905	6	1	134-23603	22	38
TA-1050504-R0	2	3	133-15205	8	18	134-07408	6	5	134-23702	22	43
TA-1250705-R0	2	31	133-15908	8	8	134-07903	6	30	134-23801	22	36
TA-2000502-R0	4	65	133-17300	10	21	134-08307	6	75	134-23801	22	40
TA-2050406-R0	2	30	133-18001	10	71	134-08307	6	79	134-23801	22	46
TA-2351004-R0	2	24	133-18308	10	81	134-08406	6	7	134-23900	22	14
TA-2351004-R0	4	66	133-18704	10	15	134-08505	6	9	134-24304	22	9
			133-18803	10	16	134-08604	6	31	134-24403	22	16
WP-0280500-SC	18	27	133-18902	10	17	134-08703	6	28	134-24452	22	15
WP-0280500-SC	32	35	133-21203	12	39	134-09107	10	66	134-24502	22	18
WP-0280501-SC	14	36	133-23308	10	9	134-09602	12	4	134-24601	22	33
WP-0320500-SC	22	31	133-23407	10	10	134-09651	12	3	134-24700	22	45
WP-0320501-SC	18	23	133-23506	10	11	134-09701	12	5	134-24809	22	49
WP-0410516-SD	18	19	133-24108	6	19	134-09800	4	42	134-26002	26	4
WP-0450801-SC	4	49	133-24108	6	62	134-09800	12	6	134-26051	26	1
WP-0450801-SC	14	57	133-24504	14	5	134-09909	12	1	134-26101	26	8
WP-0450801-SC	34	45	133-24603	14	8	134-10204	10	13	134-26200	26	9
WP-0450826-SC	8	40	133-24702	14	10	134-10600	10	22	134-26408	26	36
WP-0450826-SC	12	43	133-24900	14	14	134-10709	10	23	134-26754	26	64
WP-0450826-SC	14	46	133-25006	14	16	134-10808	10	24	134-26903	4	68
WP-0450826-SC	34	35	133-25204	14	24	134-11152	10	82	134-27257	26	23
WP-0450846-SP	10	96	133-25808	14	48	134-11301	10	76	134-27307	26	47
WP-0460556-SD	12	44	133-25907	14	49	134-11400	10	75	134-27455	26	71
WP-0522016-SH	14	4	133-26004	14	50	134-11509	10	36	134-27604	26	41
WP-0531000-SD	4	39	133-26103	14	51	134-11707	10	64	134-27703	26	68
WP-0531001-SC	28	30	133-26202	14	52	134-11806	10	69	134-27752	26	67
WP-0550800-SP	16	7	133-26202	18	35	134-11905	10	52	134-27802	26	61
WP-0550800-SP	26	19	133-26301	14	39	134-12002	10	49	134-27851	26	60
WP-0550836-SC	34	43	133-26400	14	40	134-12101	10	50	134-28008	26	53
WP-0551016-SH	8	31	133-26509	14	42	134-12200	10	51	134-28255	26	66
WP-0621016-SD	12	41	133-26608	14	44	134-12705	12	20	134-28305	26	62
WP-0851216-SC	34	18	133-26707	14	54	134-13208	12	21	134-29055	30	1
WP-1022016-SH	16	24	133-26806	8	45	134-13604	10	58	134-29105	30	3
WP-1612616-SE	28	29	133-26905	14	35	134-13703	10	89	134-29204	30	4
WS-0510002-KN	14	11	133-28000	16	3	134-13802	10	90	134-29303	30	5
WS-0510002-KN	28	31	133-28208	16	4	134-13901	10	87	134-30103	32	14
WS-0510002-KP	4	41	133-28802	16	27	134-13950	10	86	134-31200	32	13
WS-0510002-KP	14	2	133-29008	16	13	134-14008	10	88	134-32109	32	16
WS-0820002-KR	34	19	133-29206	16	22	134-14107	10	92	134-33503	32	15
WZ-0641510-KP	2	16	133-31301	18	8	134-14206	10	94	137-65607	26	63
WZ-0641510-KP	18	20	133-32606	18	5	134-14404	10	42			
			133-38900	16	23	134-14503	10	61	229-01805	2	34
107-53309	2	9	133-40005	24	21	134-15708	10	26	229-02506	2	2
118-56101	30	6	133-40104	24	22	134-15906	10	29	229-24708	2	11
122-88403	34	7	133-40302	24	6	134-16003	12	9	229-32800	34	2
122-88403	34	51	133-43009	26	2	134-16052	12	8	229-32800	34	48
123-47308	34	4	133-43108	26	5	134-16102	12	10	229-33105	34	3
123-47308	34	50	133-43207	26	11	134-16201	12	11	229-33105	34	49
131-20605	10	80	133-43306	26	12	134-16409	12	16	229-45505	14	43
131-20605	22	22	133-43405	26	7	134-16458	12	15	229-45802	14	41
131-23302	12	40	133-43801	26	42	134-16508	12	19	236-12609	14	9
131-40504	24	5	133-44809	26	44	134-16607	12	17	236-29306	26	70
131-42500	26	43	133-45053	26	25	134-16706	12	23	236-29504	26	30
131-55403	34	15	133-45202	26	45	134-16854	12	22	236-30007	4	57
131-60304	34	5	133-46101	26	38	134-20005	20	8	236-30007	26	21
131-70105	26	33	133-46408	26	69	134-20104	20	11	236-30007	26	54
131-71004	26	34	133-48008	14	19	134-20203	20	15	236-30007	26	65
132-17401	12	36	133-48859	34	21	134-20302	20	17	260-19000	24	7
132-17500	12	35	133-49600	34	16	134-20401	20	1			
132-17708	12	38	133-50004	32	1	134-20500	20	5	400-04749	26	18
132-28200	26	10	133-50103	32	2	134-20609	20	6	400-13913	34	1
132-28309	26	6	133-50301	32	4	134-20906	20	18	400-17824	6	35
133-00801	2	12	133-50400	32	5	134-21003	20	10	400-19335	18	13
133-01700	2	15	133-50509	32	3	134-21201	20	2	400-19379	34	12

NUMERICAL INDEX OF PARTS

PART NO	PAGE	REF NO	PART NO	PAGE	REF NO	PART NO	PAGE	REF NO	PART NO	PAGE	REF NO
400-26691	34	22	400-90130	32	21	700-01545	14	60	700-01814	34	25
400-32763	34	39	400-90131	32	22	700-01546	14	20	700-01830	4	62
400-33341	2	14	400-90132	32	23	700-01548	14	13	700-01831	4	61
400-40155	12	33	400-90133	32	17	700-01555	16	6	700-01832	34	33
400-40208	12	26	400-90196	32	18	700-01561	16	10	700-01837	2	27
400-40513	32	12	400-90197	32	19	700-01562	16	14	700-01838	34	27
400-40514	32	10	400-96325	28	22	700-01584	18	38	700-01839	34	28
400-42363	24	9	400-96326	28	23	700-01610	24	1	700-01840	34	6
400-42364	24	10	400-96327	28	20	700-01612	24	4	700-01842	34	32
400-42365	24	11	401-00769	18	34	700-01613	24	18	700-01844	34	41
400-42366	24	12	401-00771	18	26	700-01614	24	19	700-01845	34	40
400-58033	32	11	401-00773	18	25	700-01615	24	16	700-01847	34	26
400-58587	32	8	401-01602	24	13	700-01616	24	17	700-01848	34	29
400-58706	32	9	401-02003	24	14	700-01617	24	15	700-01954	20	21
400-65785	24	2	401-06574	28	19	700-01620	24	8	700-01962	34	11
400-66644	34	30	401-06575	28	2	700-01631	26	57	700-01963	34	9
400-66645	34	46	401-06576	28	11	700-01638	6	55	700-01964	34	8
400-70224	32	25	401-06579	28	12	700-01642	4	58	700-01967	34	10
400-70226	32	30	401-06580	28	10	700-01643	4	59	700-01975	26	52
400-70227	32	31	401-06581	28	9	700-01648	4	33	700-01988	18	1
400-70229	32	39	401-06591	28	1	700-01650	4	31	700-03316	6	11
400-70230	32	38	401-72767	16	21	700-01652	4	45	700-03355	4	26
400-70231	32	33	401-78898	4	35	700-01653	4	3	700-04184	6	38
400-70573	8	2	401-78900	4	12	700-01655	4	2	700-04223	16	29
400-70574	8	1				700-01657	4	1	700-04224	16	31
400-72505	34	14	700-01403	10	67	700-01661	4	10	700-04227	34	47
400-74316	14	25	700-01407	2	28	700-01662	4	20	700-04367	22	27
400-78278	6	65	700-01409	2	7	700-01663	4	21	700-04484	6	25
400-78279	6	66	700-01411	2	1	700-01673	4	52	700-04489	6	21
400-78280	6	67	700-01414	4	40	700-01677	2	22	700-04729	22	30
400-78282	6	77	700-01416	2	5	700-01678	4	46			
400-78291	8	56	700-01421	2	13	700-01680	6	15			
400-78292	8	50	700-01430	2	25	700-01681	6	41			
400-78293	8	47	700-01432	6	74	700-01682	6	27			
400-78293	16	33	700-01436	4	54	700-01683	6	29			
400-78295	8	60	700-01437	6	43	700-01685	6	17			
400-78296	8	65	700-01439	6	44	700-01686	6	20			
400-78299	8	63	700-01440	6	54	700-01687	6	16			
400-78300	8	64	700-01442	6	58	700-01697	10	3			
400-78301	8	57	700-01443	6	49	700-01699	10	55			
400-78302	8	52	700-01444	6	63	700-01700	10	6			
400-78303	8	54	700-01451	6	39	700-01701	10	39			
400-78304	8	58	700-01454	6	57	700-01702	10	27			
400-78305	8	51	700-01462	8	49	700-01703	10	28			
400-78306	8	53	700-01463	8	59	700-01705	10	65			
400-78307	8	17	700-01465	8	48	700-01706	10	68			
400-78311	16	15	700-01477	8	37	700-01707	12	25			
400-78312	16	16	700-01478	8	35	700-01709	12	28			
400-78313	16	17	700-01480	8	5	700-01710	12	29			
400-78314	16	18	700-01481	8	6	700-01711	12	30			
400-78317	8	62	700-01483	8	9	700-01712	12	47			
400-78318	16	1	700-01485	8	13	700-01714	10	97			
400-78319	16	2	700-01486	8	19	700-01715	10	7			
400-78320	8	66	700-01487	8	29	700-01716	10	40			
400-81965	6	34	700-01488	8	32	700-01718	12	37			
400-82196	4	15	700-01489	8	33	700-01719	10	84			
400-82974	32	20	700-01490	8	34	700-01720	10	5			
400-82975	32	24	700-01491	8	39	700-01721	10	38			
400-85784	28	13	700-01492	8	42	700-01729	18	6			
400-85785	28	7	700-01493	8	43	700-01734	18	16			
400-85786	28	18	700-01494	8	22	700-01735	18	18			
400-85787	28	5	700-01495	8	25	700-01738	18	29			
400-85788	28	17	700-01498	8	21	700-01745	18	31			
400-85789	28	16	700-01499	8	7	700-01749	20	3			
400-85790	28	15	700-01500	8	70	700-01750	20	14			
400-85791	28	14	700-01524	10	1	700-01751	18	41			
400-85792	28	8	700-01525	10	2	700-01752	18	22			
400-85793	28	6	700-01535	6	60	700-01753	18	42			
400-85794	28	3	700-01536	6	61	700-01754	18	12			
400-85795	28	4	700-01537	14	3	700-01758	18	43			
400-85796	28	21	700-01540	14	18	700-01764	18	33			
400-85995	14	55	700-01541	14	29	700-01765	10	45			
400-87068	18	3	700-01542	14	31	700-01769	26	32			
400-87083	8	68	700-01543	14	32	700-01770	26	39			
400-87101	8	69	700-01544	14	58	700-01813	34	24			