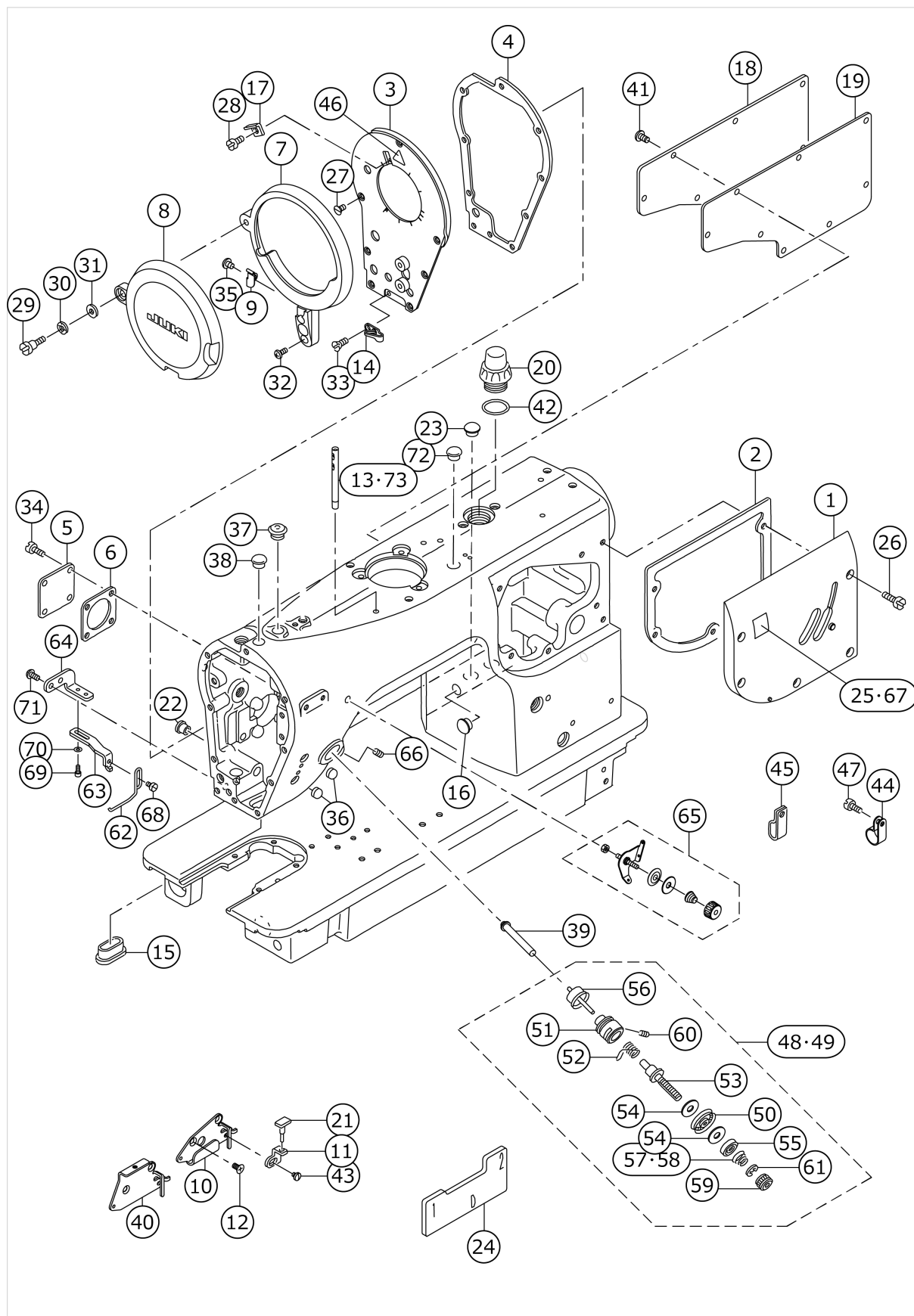


# LZ-2280N/LZ-2280N-7 Series

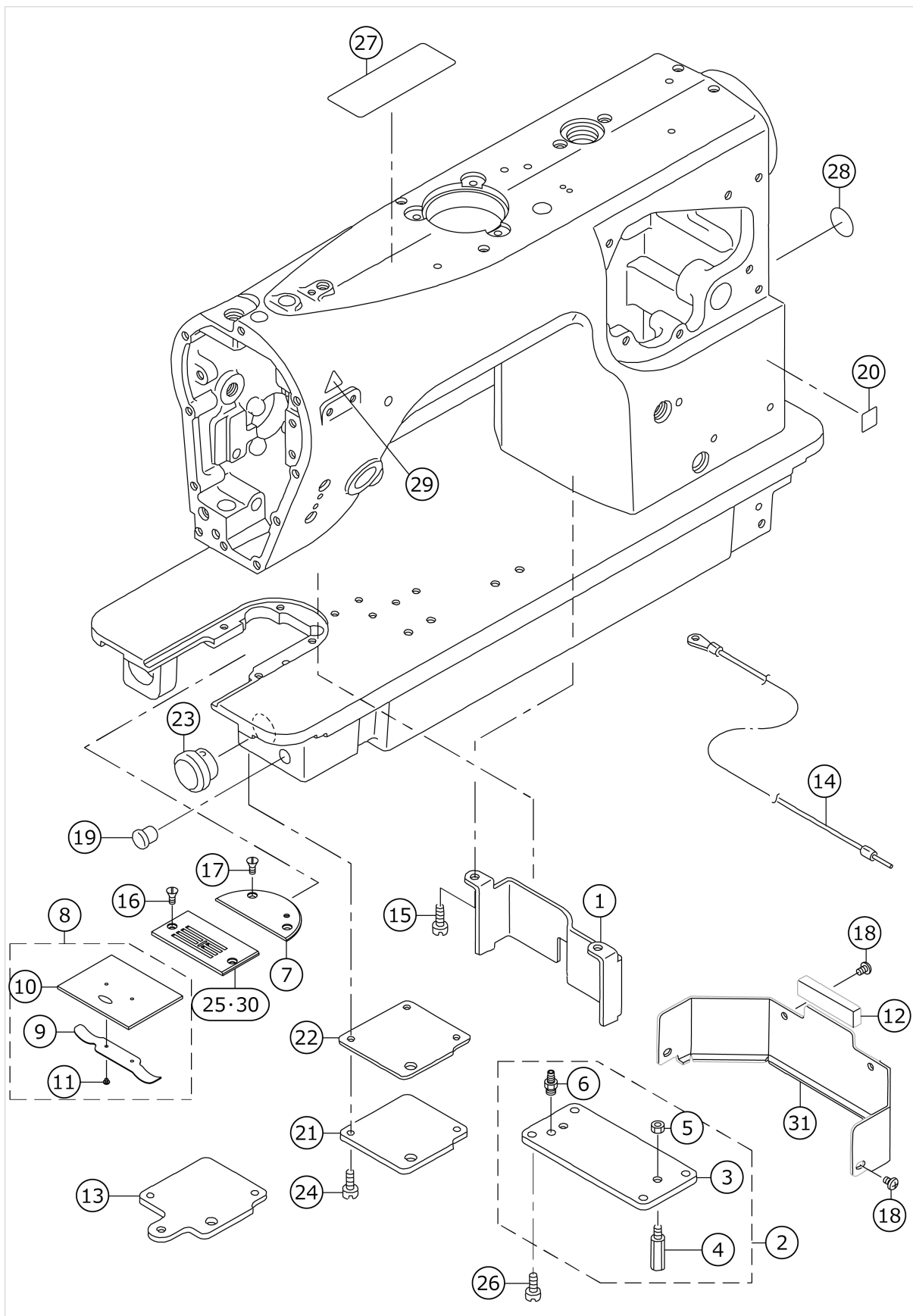
## FRAME & MISCELLANEOUS COVER COMPONENTS (1)



No.	品番	品名	備考	子部品	消耗品	個数
1	26304758	ARM SIDE COVER COMPL.				1.00
2	22501209	GASKET				1.00
3	23500978	FACE PLATE COMPL.				1.00
4	22501506	GASKET				1.00
5	22501605	TENSION RELEASE WINDOW PLATE				1.00
6	22501704	GASKET				1.00
7	26305102	BALANCE COVER BASE				1.00
8	22502108	BALANCE COVER				1.00
9	26305300	SPRING				1.00
10	22504104	BALANCE THREAD GUIDE A	VARIOUS NOS.FO R DESTINATIONS			1.00
11	22502702	SPRING GUARD				1.00
12	SS1110821TP	SCREW 11/64-40 L=8.3				2.00
13	22958300	NEEDLE THREAD GUIDE PIN				1.00
14	26305409	SPRING GUARD				1.00
15	10000206	ARM OIL SHIELD				1.00
16	TA1050504R0	RUBBER PLUG				1.00
17	10001709	TAKE-UP THREAD CUTTER				1.00
18	22900401	WINDOW PLATE				1.00
19	40012129	SIDE PLATE PACKING				1.00
20	22947006	OIL SIGHT WINDOW				1.00
21	11043601	RUBBER STOPPER				1.00
22	TA0800504R0	PLUG D=8 L=4.5				1.00
23	TA1050504R0	RUBBER PLUG				2.00
24	22536403	TIMMING GAUG D				1.00
25	23516206	OPERATION SEAL	FOR LZ-2284N(- 7),LZ-2284NU(- 7),LZ-2284C-7			1.00
26	SS4121415SP	SCREW 3/16-28 L=14				5.00
27	SS1110840SP	SCREW 11/64-40 L=8				7.00
28	SS7080410SP	SCREW 1/8-44 L= 3.8				1.00
29	SD0640751SP	HINGE SCREW D= 6.35 H= 7.5				1.00
30	WZ0641510KP	WAVED WASHER 6.4X11X0.3				1.00
31	WP0651056SD	WASHER 6.5X11X1				1.00
32	SS4110915SP	SCREW 11/64-40 L=9				2.00
33	SS2090710SP	SCREW 9/64-40 L=7				1.00
34	SS4120615SP	SCREW 3/16-28 L=6				4.00
35	SS4120615SP	SCREW 3/16-28 L=6				1.00
36	GPR01015000	DRIVING STOPPER RUBBER				2.00
37	TA1250705R0	RUBBER PLUG				1.00
38	TA1100604R0	PLUG				1.00
39	22528616	THREAD RELEASE				1.00
40	26312504	BALANCE THREAD GUIDE T	VARIOUS NOS.FO R DESTINATIONS			1.00
41	SS4120915SP	SCREW 3/16-28 L=9				8.00
42	RO195240100	RUBBER RING				1.00
43	SS7090410SP	SCREW 9/64-40 L= 3.5				1.00
44	EA9502B0200	CABLE CLIP C	FOR LZ-228*N-7			1.00
45	D2112555B00	CORD HOLDER LARGE	FOR LZ-228*N-7			2.00
46	CM300200001	ATTENTION SEAL				1.00

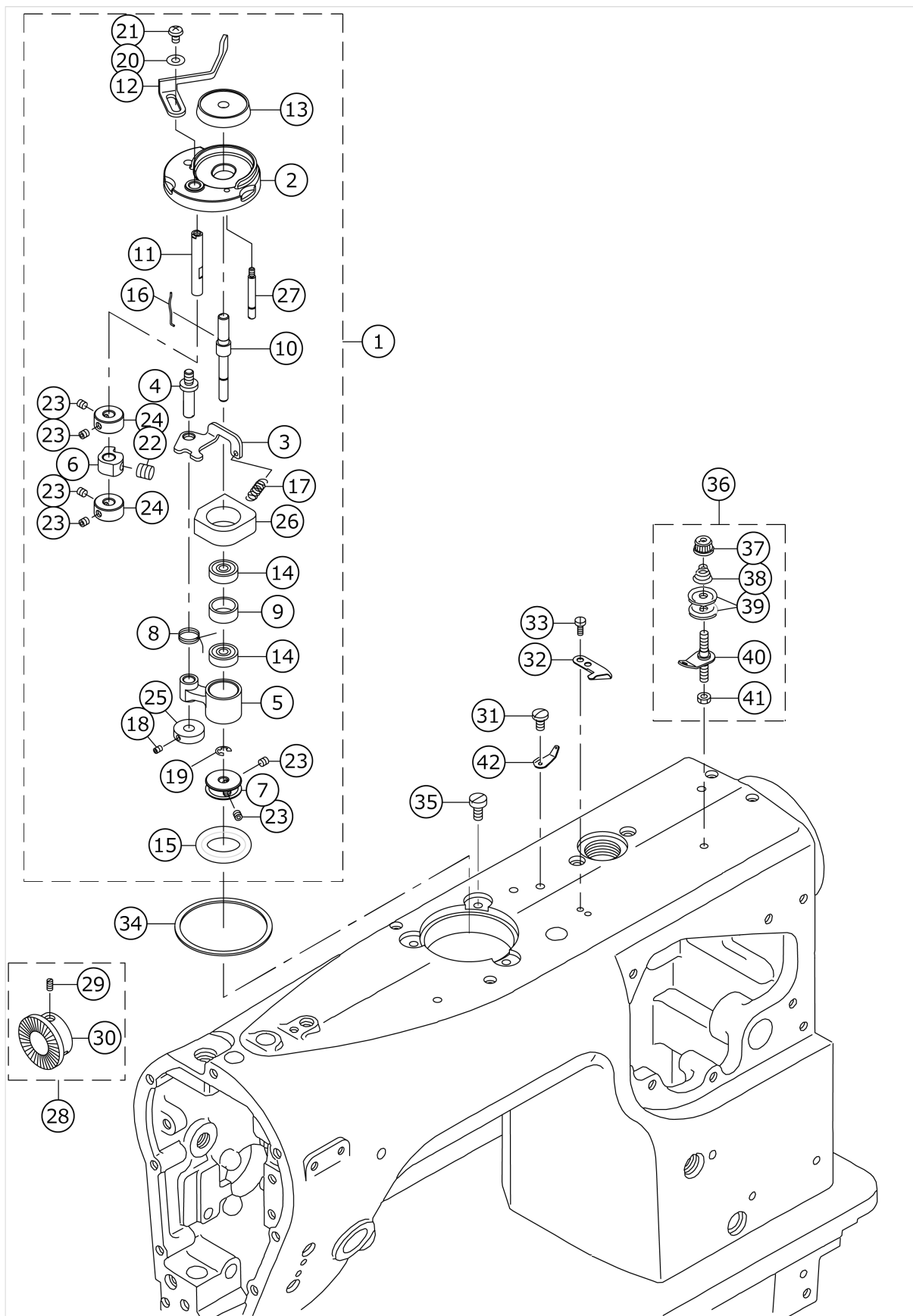
47	SS4121015SP	SCREW 3/16-28 L=10	FOR LZ-228*N-7			1.00
48	22528061	THREAD TENSION ASM.	VARIOUS NOS.FO R DESTINATIONS			1.00
49	22528467	THREAD TENSION ASM.	VARIOUS NOS.FO R DESTINATIONS			1.00
50	23547557	THREAD TENSION T COMPL.		*		1.00
51	22528152	THREAD TENSION ROD ASM.		*		1.00
52	10006104	TAKE-UP SPRING		*		1.00
53	10005668	THREAD TENSION POST ASM.		*		1.00
54	22528509	FELT		*		2.00
55	10006005	TENSION DISC HOLDER		*		1.00
56	10007854	TENSION RELEASE PIN ASM.		*		1.00
57	B3129012A00	TENSION SPRING	VARIOUS NOS.FO R DESTINATIONS	*		1.00
58	B3121352000	TENSION SPRING	VARIOUS NOS.FO R DESTINATIONS	*		1.00
59	B3116125000	TENSION NUT		*		1.00
60	SS8090670SP	SCREW 9/64-40 L= 5.5		*		1.00
61	B3120125000	ROTATING STOPPER		*		1.00
62	22529002	SUPPORT BALANCE	VARIOUS NOS.FO R DESTINATIONS			1.00
63	22529101	SUPPORT BALANCE BASE	VARIOUS NOS.FO R DESTINATIONS			1.00
64	22529200	MOUNTING BASE	VARIOUS NOS.FO R DESTINATIONS			1.00
65	40050700	PRE-TENSION CONTROLLER ASM.				1.00
66	SS8110750SP	SCREW 11/64-40 L= 6.5				1.00
67	22542708	OPERATION SEAL	FOR LZ-2281N			1.00
68	SS6090540SP	SCREW 9/64-40 L= 5.0	VARIOUS NOS.FO R DESTINATIONS			1.00
69	SS6580752TP	SCREW 1/8-40 L=7	VARIOUS NOS.FO R DESTINATIONS			2.00
70	WP03305000E	WASHER 3.3X6X0.5	VARIOUS NOS.FO R DESTINATIONS			2.00
71	SS4110915SP	SCREW 11/64-40 L=9	VARIOUS NOS.FO R DESTINATIONS			2.00
72	TA1250705R0	RUBBER PLUG				1.00
73	22502504	THREAD GUIDE BAR	FOR LZ-228*N-7			1.00

# FRAME & MISCELLANEOUS COVER COMPONENTS (2)



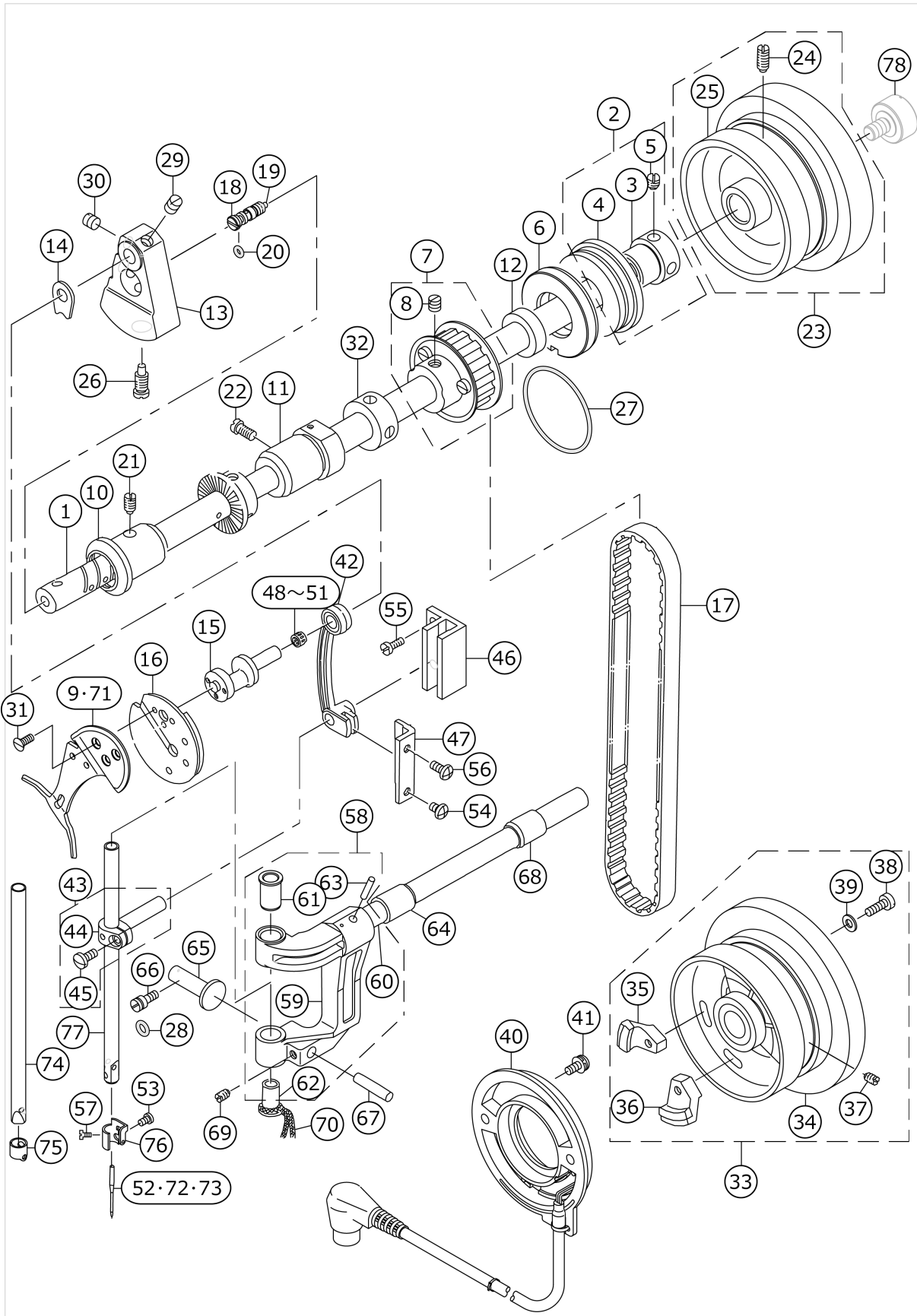
No.	品番	品名	備考	子部品	消耗品	個数
1	26304907	SUPPORT PLATE				1.00
2	40108981	GEAR BOX COVER ASM.				1.00
3	40108980	GEAR BOX COVER		*		1.00
4	40028555	STUD		*		2.00
5	NM6060001CP	NUT M6		*		2.00
6	SQ1150451MZ	CONNECTING SCREW		*		1.00
7	26300103	BED PLATE				1.00
8	26314757	SLIDE PLATE ASM.				1.00
9	22901300	SLIDE PLATE SPRING		*		1.00
10	26314708	SLIDE PLATE		*		1.00
11	SS6060210SP	SCREW 3/32-56 L= 1.9		*		2.00
12	10037406	OIL SHIELD RUBBER				1.00
13	22552400	HELICAL BEVEL GEAR BOX COVER	FOR LZ-228*N-7			1.00
14	11044054	GROUND WIRE ASM.	FOR LZ-228*N-7			1.00
15	SS4111015SP	SCREW 11/64-40 L=10				2.00
16	SS2090810SP	SCREW 9/64-40 L= 7.5				2.00
17	SS2090810SP	SCREW 9/64-40 L= 7.5				2.00
18	SS4110615SP	SCREW 11/64-40 L=6				2.00
19	TA0950806R0	RUBBER PLUG				1.00
20	CM600100101	WEEE MARK LABEL S	VARIOUS NOS.FO R DESTINATIONS			1.00
21	10031805	HELICAL BEVEL GEAR BOX COVER				1.00
22	10031904	GASKET				1.00
23	10032001	NYLON CAP				1.00
24	SS4110915SP	SCREW 11/64-40 L=9				3.00
25	22548010	NEEDLE PLATE	VARIOUS NOS.FO R DESTINATIONS			1.00
26	SS4110915SP	SCREW 11/64-40 L=9				4.00
27	CM301300001	SAFETY LABEL				1.00
28	22901805	GROUND MARK				1.00
29	CM300200002	CAUTION LABEL(25)				1.00
30	22548705	NEEDLE PLATE	VARIOUS NOS.FO R DESTINATIONS			1.00
31	10037307	OIL SHIELD PLATE				1.00

# FRAME & MISCELLANEOUS COVER COMPONENTS (3)



No.	品番	品名	備考	子部品	消耗品	個数
1	40034920	BOBBIN WINDER UNIT				1.00
2	40034904	BTW BASE		*		1.00
3	40031628	BTW_CAM_PLATE		*		1.00
4	40032138	BTW_BASE_SHAFT		*		1.00
5	26260406	BTW_SHAFT_BASE		*		1.00
6	26260505	BTW_CAM_LEVER		*		1.00
7	40026730	BTW WHEEL		*		1.00
8	40031633	BTW_TORSION_SPRING		*		1.00
9	26260802	BTW_BEARING_SPACER		*		1.00
10	40031629	BTW_SHAFT		*		1.00
11	40031630	BTW LEVER SHAFT		*		1.00
12	40021933	BTW_LEVER		*		1.00
13	26261206	BTW_SPACER		*		1.00
14	26261305	BTW_BEARING		*		2.00
15	A321600100A	RUBBER RING		*		1.00
16	26261602	BOBBIN_SPRING		*		1.00
17	26261701	BTW_SPRING		*		1.00
18	SM8030412TP	SCREW		*		1.00
19	RE0400000K0	E-RING 4		*		1.00
20	WP0450826SC	WASHER 4.5X10X0.8		*		1.00
21	SM5040655SN	SCREW		*		1.00
22	SM8050502TP	SCREW M5 L=5		*		1.00
23	SM8040412TP	SET SCREW M4 L=4		*		6.00
24	40026745	COLLAR		*		2.00
25	40043720	COLLAR		*		1.00
26	40034919	BTW PROTECT SPONGE		*		1.00
27	40031631	BTW_SPRING_SHAFT		*		1.00
28	22538854	BTW DRIVING WHEEL ASM.				1.00
29	SS8660610TP	SCREW 1/4-40 L=6		*		2.00
30	22538805	DRIVING WHEEL		*		1.00
31	SS7110840SP	SCREW 11/64-40 L=7.8				1.00
32	10502300	THREAD CUTTER				1.00
33	SS6090620SP	SCREW 9/64-40 L=6				2.00
34	22538706	PACKING				1.00
35	SS6121030SN	SCREW 3/16-28 L=10				3.00
36	22529481	BOBBIN THREAD TENSION ASM.				1.00
37	11072402	THREAD TENSION NUT		*		1.00
38	11093606	THREAD TENSION SPRING		*		1.00
39	B3214047000	BOBBIN WINDER TENSION DISC		*		2.00
40	22529473	BOBBIN THREAD TENSION ROD ASM.		*		1.00
41	NS6110310SP	NUT 11/64-40		*		1.00
42	D3162555B00	THREAD GUIDE				1.00

# MAIN SHAFT & NEEDLE BAR COMPONENTS

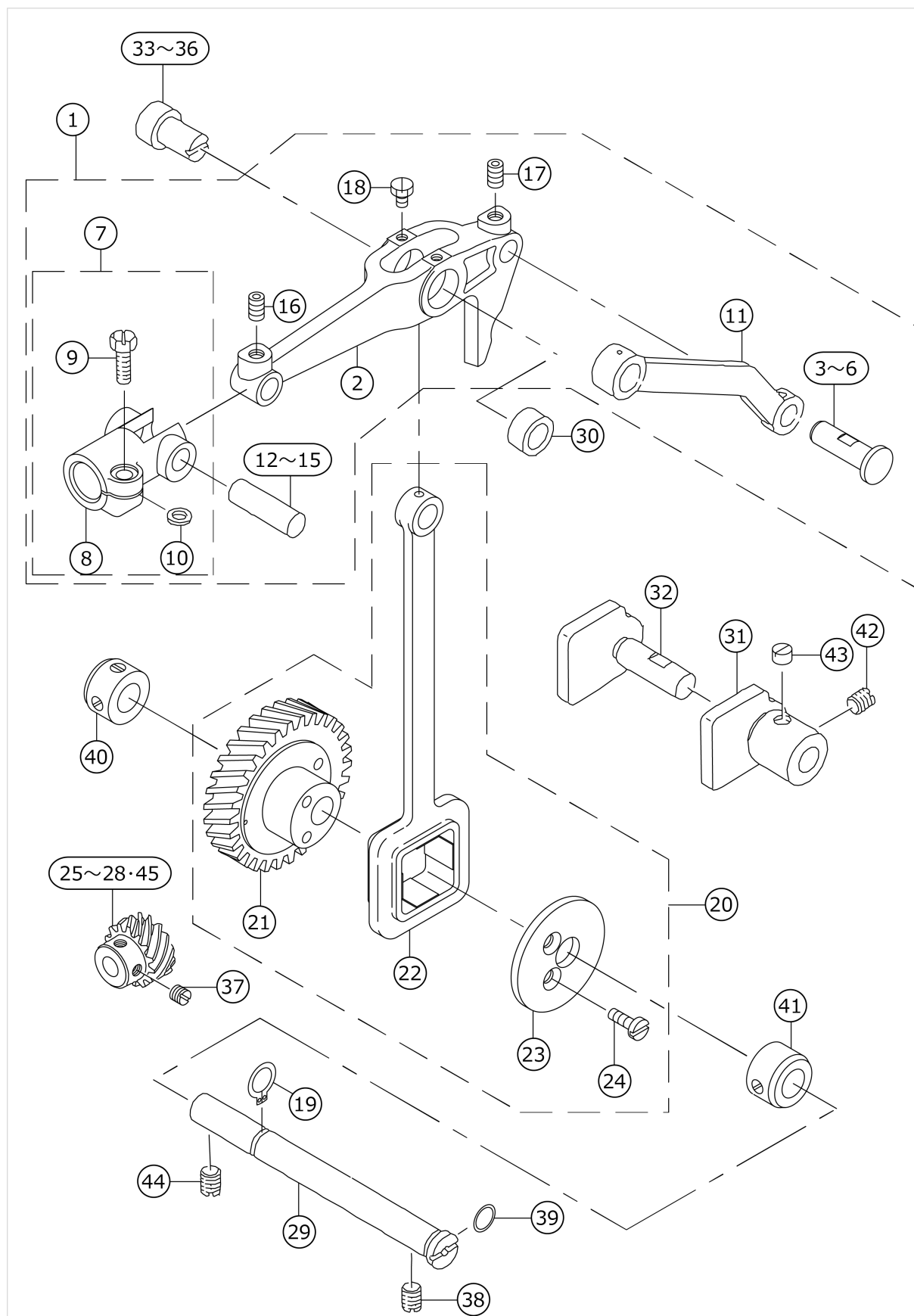




No.	品番	品名	備考	子部品	消耗品	個数
1	40109128	MAIN SHAFT				1.00
2	22505259	THRUST COLLAR ASM.				1.00
3	22505200	THRUST COLLAR		*		1.00
4	SB120000100	BEARING D=20X47		*		1.00
5	SS8660610TP	SCREW 1/4-40 L=6		*		2.00
6	26305516	OIL SEAL COLLAR				1.00
7	40044872	SPROCKET UPPER ASM.				1.00
8	SS8660610TP	SCREW 1/4-40 L=6		*		2.00
9	22506109	BALANCE	SPECIAL ORDER PARTS			1.00
10	40040372	MAIN SHAFT BUSHING				1.00
11	B1203227000A	MAIN SHAFT BUSHING INTERMEDIATE				1.00
12	B1208552000A	OIL SEAL				1.00
13	26300202	COUNTERWEIGHT				1.00
14	10008506	COUNTERWEIGHT PROTECTING PLATE				1.00
15	26300301	NEEDLE BAR CRANK				1.00
16	10008753	TAKE-UP COUNTERWEIGHT ASM.				1.00
17	22505705	TIMING BELT				1.00
18	26304402	PIN				1.00
19	B1810552000	OIL WICK				1.00
20	RO029180100	RUBBER RING				1.00
21	SS8151150SP	SCREW 15/64-28 L=10.5				1.00
22	SS7151120SP	SCREW 15/64-28 L=11				1.00
23	40101683	HAND_WHEEL_ASM.				1.00
24	SS8151550SP	SCREW 15/64-28 L=15		*		2.00
25	40101350	HAND WHEEL		*		1.00
26	SS7681650TP	SCREW 9/32-28 L=16				1.00
27	RO437200200	RUBBER RING				1.00
28	RO048190100	RUBBER RING				1.00
29	SS8660610TP	SCREW 1/4-40 L=6				2.00
30	SS8660610TP	SCREW 1/4-40 L=6				2.00
31	SS1090930SP	SCREW 9/64-40 L=8.6				3.00
32	22904155	MAIN SHAFT THRUST COLLAR ASM.				1.00
33	40108949	HAND WHEEL ASM.	FOR LZ-228*N-7			1.00
34	40108948	HAND WHEEL COMPL.	FOR LZ-228*N-7	*		1.00
35	22937254	MAGNET FITTING BASE B ASM.	FOR LZ-228*N-7	*		1.00
36	22937155	MAGNET FITTING BASE A ASM.	FOR LZ-228*N-7	*		1.00
37	SS8151550SP	SCREW 15/64-28 L=15	FOR LZ-228*N-7	*		2.00
38	SS6111210SP	SCREW 11/64-40 L=12	FOR LZ-228*N-7	*		2.00
39	WP0450801SD	WASHER 4.5X10X0.8	FOR LZ-228*N-7	*		2.00
40	22937965	DYNAMO STATOR	FOR LZ-228*N-7			1.00
41	SL4051001MZ	SCREW M5 L=9.6	FOR LZ-228*N-7			2.00
42	40082351	NEEDLE BAR CRANK ROD ASM.				1.00
43	40070532	NEEDLE_BAR_CONNECTION_ASM.				1.00
44	40056873	NEEDLE BAR CONNECTION		*		1.00
45	SS7090910TP	SCREW 9/64-40 L= 8.5		*		1.00
46	22508006	NEEDLE BAR CONNECTION GUIDE				1.00
47	26300400	CRANK ROD GUIDE				1.00
48	B1905541A00	NEEDLE BEARING	SELECTIVE PARTS			1.00

49	B1905541B00	NEEDLE BEARING	SELECTIVE PARTS			1.00
50	B1905541C00	NEEDLE BEARING	SELECTIVE PARTS			1.00
51	B1905541D00	NEEDLE BEARING	SELECTIVE PARTS			1.00
52	MC192300750	NEEDLE 438 #75	VARIOUS NOS.FO R DESTINATIONS			1.00
53	SS7080520SP	SCREW 1/8-44 L=4.9				1.00
54	SS4110615SP	SCREW 11/64-40 L=6				1.00
55	SS4110915SP	SCREW 11/64-40 L=9				2.00
56	SS4110915SP	SCREW 11/64-40 L=9				1.00
57	SS7060310SP	SCREW 3/32-56 L=3	VARIOUS NOS.FO R DESTINATIONS			1.00
58	26300962	NEEDLE BAR YOKE ASM.				1.00
59	26300913	NEEDLE BAR YOKE		*		1.00
60	22509202	SHAFT		*		1.00
61	10013019	NEEDLE BAR BUSHING UPPER D=7.24		*		1.00
62	10013118	NEEDLE BAR BUSHING LOWER D=7.24		*		1.00
63	PS0400252KP	SPRING PIN		*		1.00
64	22913008	FEED ROCKER SHAFT BUSHING				1.00
65	26305904	NEEDLE BAR YOKE PRESSER				1.00
66	26306001	SCREW				1.00
67	10013407	GUIDE PIN				1.00
68	26301408	SHAFT BUSHING REAR				1.00
69	SS8120740SP	SCREW 3/16-28 L=7				1.00
70	CQ202000000	OIL WICK				0.10
71	22506208	BALANCE V				1.00
72	MC2005F0700	NEEDLE 134SUK 70	VARIOUS NOS.FO R DESTINATIONS			1.00
73	MDP500B1000	NEEDLE DPX5 #10	VARIOUS NOS.FO R DESTINATIONS			1.00
74	22507818	NEEDLE ROD	VARIOUS NOS.FO R DESTINATIONS			1.00
75	22507701	NEEDLE ROD THREAD RACK R	VARIOUS NOS.FO R DESTINATIONS			1.00
76	22507404	THREAD RACK	VARIOUS NOS.FO R DESTINATIONS			1.00
77	40015494	NEEDLE BAR				1.00
78	40109125	STATOR ADAPTER	SPECIAL ORDER PARTS			1.00

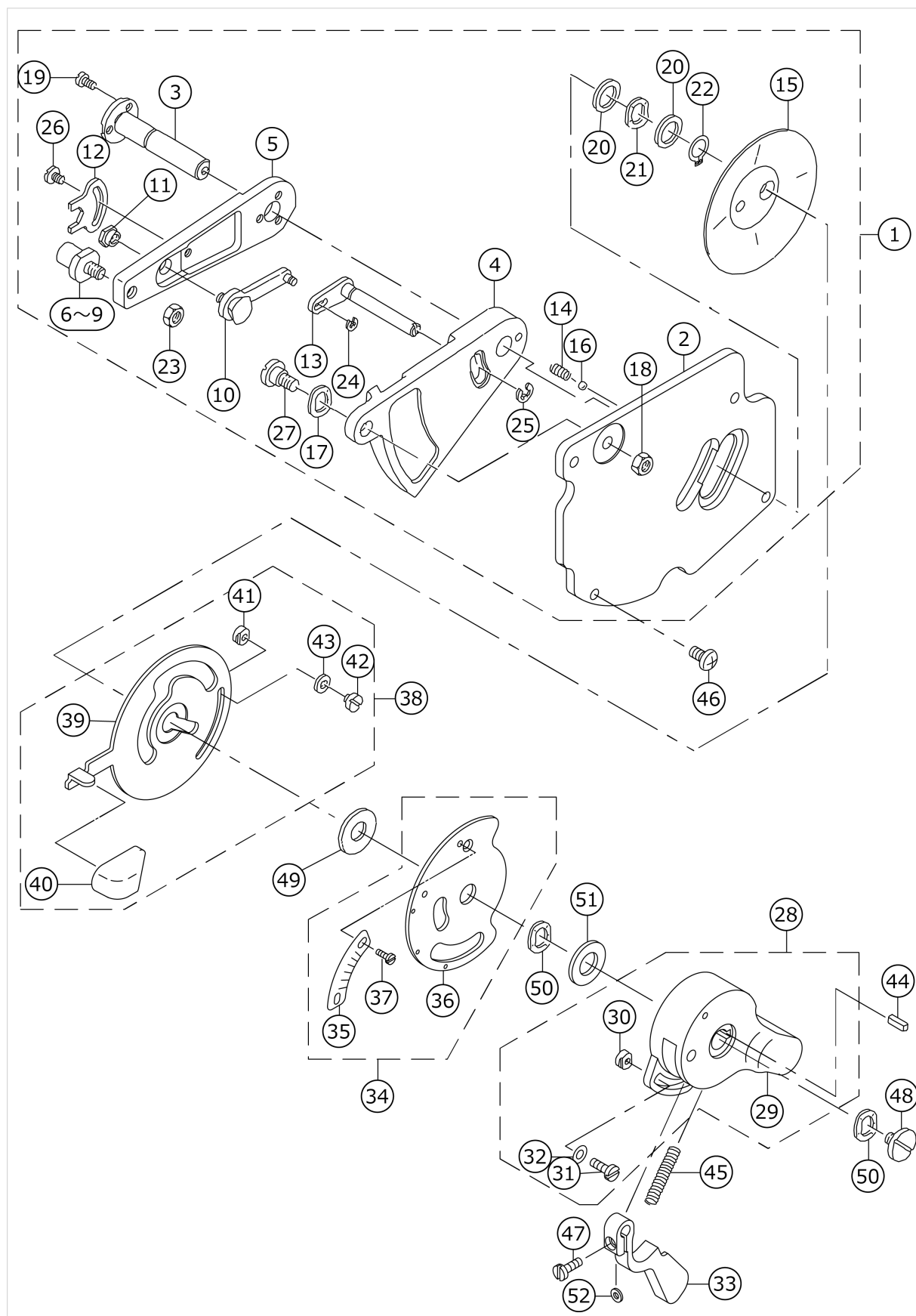
# NEEDLE VIBRATOR & ADJUSTMENT COMPONENTS (1)



No.	品番	品名	備考	子部品	消耗品	個数
1	22509756	DRIVE LINK ASM.				1.00
2	40065490	DRIVE LINK		*		1.00
3	26307405	LINK	SELECTIVE PARTS	*		1.00
4	26307504	SHAFT	SELECTIVE PARTS	*		1.00
5	26307603	SHAFT	SELECTIVE PARTS	*		1.00
6	26307702	SHAFT	SELECTIVE PARTS	*		1.00
7	40056375	SHAFT CONNECTION ASM.		*		1.00
8	40056376	SHAFT CONNECTION		*		1.00
9	SS7121410TP	SCREW 3/16-28 L=14		*		1.00
10	WP0510516SD	WASHER 5.1X7.5X0.5		*		1.00
11	26302307	LINK		*		1.00
12	10012904	PIN D	SELECTIVE PARTS	*		1.00
13	10012607	PIN A	SELECTIVE PARTS	*		1.00
14	10012706	PIN B	SELECTIVE PARTS	*		1.00
15	10012805	PIN C	SELECTIVE PARTS	*		1.00
16	SM8050812TP	SCREW M5X8		*		1.00
17	SM8050812TP	SCREW M5X8		*		1.00
18	SS9090610TP	SCREW 9/64-40 L=5.5		*		2.00
19	RC0100001KP	SNAP RING M10				1.00
20	22510051	NEEDLE VIBRATING CAM ASM.				1.00
21	22510002	NEEDLE VIBRATING CAM		*		1.00
22	22510101	NEEDLE VIBRATING ROD		*		1.00
23	22510200	CAM COVER		*		1.00
24	SS2110920TP	SCREW 11/64-40 L=8.5		*		2.00
25	10011005	SCREW GEAR A	SELECTIVE PARTS			1.00
26	10011104	SCREW GEAR B	SELECTIVE PARTS			1.00
27	10011203	SCREW GEAR C	SELECTIVE PARTS			1.00
28	10011302	SCREW GEAR D	SELECTIVE PARTS			1.00
29	26300608	NEEDLE VIBRATING CAM SHAFT				1.00
30	10012201	BUSHING				1.00
31	10012417	DRIVE LINK GUIDE A				1.00
32	10012516	DRIVE LINK GUIDE B				1.00
33	26301002	PIN A	SELECTIVE PARTS			1.00
34	26301101	PIN B	SELECTIVE PARTS			1.00
35	26301200	PIN B	SELECTIVE PARTS			1.00

36	26301309	PIN D	SELECTIVE PARTS			1.00
37	SS8660610TP	SCREW 1/4-40 L=6				2.00
38	SS8660970TP	SCREW 1/4-40 L= 8.5				1.00
39	RO069180100	RUBBER RING				1.00
40	CS1031210SH	THRUST COLLAR ASM. D=10.32 W=12				1.00
41	CS103121BSH	THRUST COLLAR ASM. D=10.32 W=12				1.00
42	SS8150710SP	SCREW 15/64-28 L=7				1.00
43	SS8660410SP	SCREW 1/4-40 L= 4.2				1.00
44	SS8660810TP	SCREW 1/4-40 L=8				1.00
45	10014009	SCREW GEAR E	SELECTIVE PARTS			1.00

# NEEDLE VIBRATOR & ADJUSTMENT COMPONENTS (2)

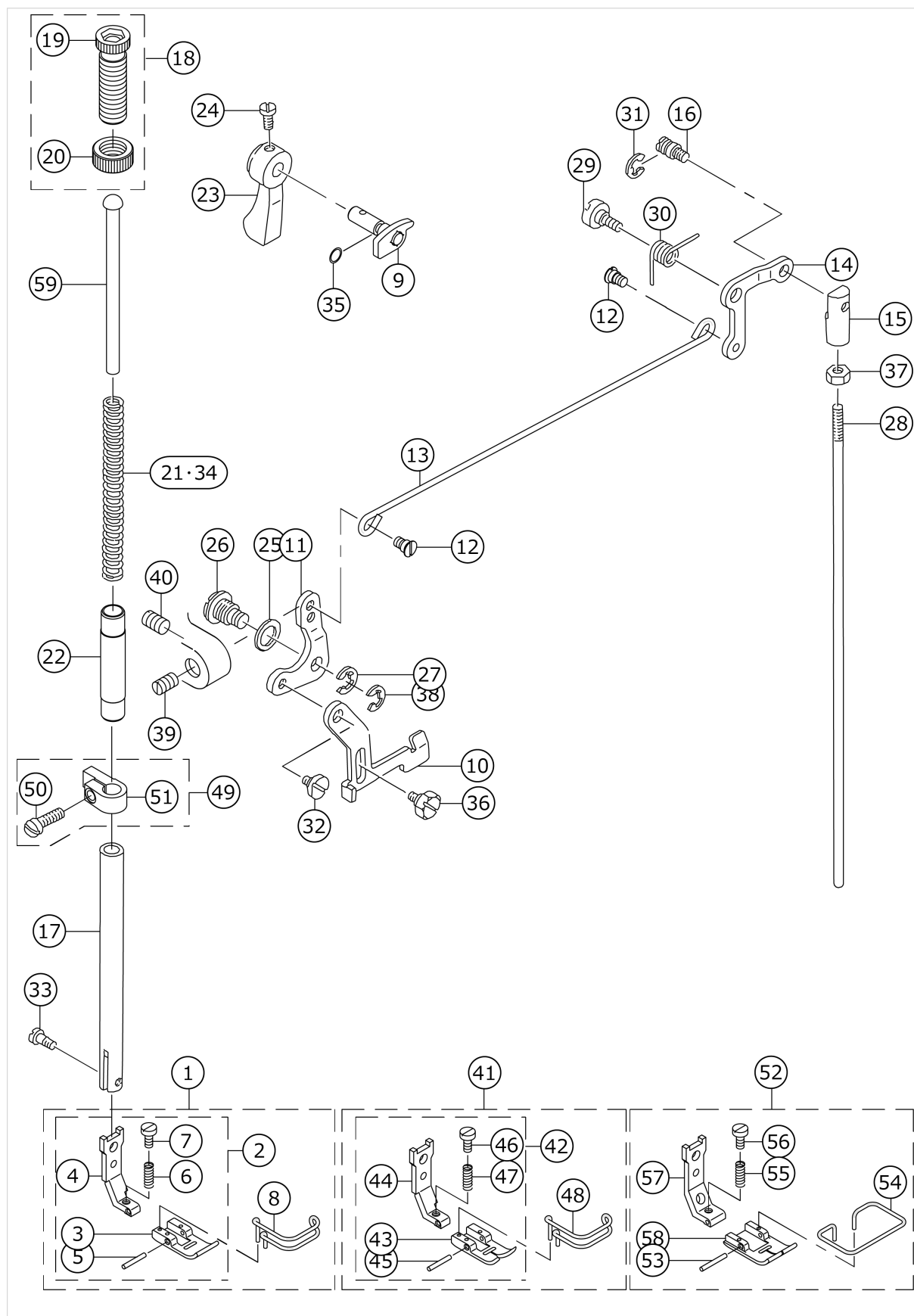


No.	品番	品名	備考	子部品	消耗品	個数
1	22512057	BASE ASM.				1.00
2	26306506	BASE MOUNTING PLATE		*		1.00
3	26307306	SHAFT		*		1.00
4	26302703	NEEDLE POSITION ADJUSTING BASE		*		1.00
5	26301507	ARM		*		1.00
6	10016517	SHAFT	SELECTIVE PARTS	*		1.00
7	10016210	SHAFT	SELECTIVE PARTS	*		1.00
8	10016319	SHAFT	SELECTIVE PARTS	*		1.00
9	10016418	SHAFT	SELECTIVE PARTS	*		1.00
10	10017168	STOPPER ASM.		*		1.00
11	10018000	NUT		*		1.00
12	10018109	NUT STOPPER		*		1.00
13	10015360	LEVER ASM.		*		1.00
14	10017408	SPRING		*		1.00
15	10017606	OIL SHIELD		*		1.00
16	B2608761000	HAND STOP CRANK SHAFT BALL		*		1.00
17	WZ0850302K0	WAVED WASHER 8.5X12.5X0.3		*		3.00
18	NS6150310SP	NUT 15/64-28		*		1.00
19	SS6090620SP	SCREW 9/64-40 L=6		*		3.00
20	WP1020616SD	WASHER		*		2.00
21	WZ1052010KP	WAVED WASHER		*		1.00
22	RC0100001KP	SNAP RING M10		*		1.00
23	NS6150310SP	NUT 15/64-28		*		1.00
24	RE0200000K0	E-RING		*		1.00
25	RE0400000K0	E-RING 4		*		1.00
26	SS6090520SP	SCREW 9/64-40 L= 5.0		*		1.00
27	SD0800402TP	HINGE SCREW D= 8 H= 4		*		1.00
28	22512156	KNOB ASM.				1.00
29	22512107	KNOB		*		1.00
30	10015907	LEVER STOPPER		*		2.00
31	SS7090610SP	SCREW 9/64-40 L=6		*		2.00
32	WP0371016SD	WASHER 3.7X8X1		*		2.00
33	26306803	LEVER				1.00
34	22512362	SCALE PLATE ASM.				1.00
35	22512313	SCALE PLATE		*		1.00
36	26306951	SCALE MOUNTING BASE COMPL.		*		1.00
37	SS6080320SP	SCREW 1/8-44 L= 2.5		*		2.00
38	26307157	LEVER ASM.				1.00
39	26307108	LEVER		*		1.00
40	26307207	KNOB		*		1.00
41	26306704	LEVER STOPPER		*		2.00
42	SS7090410SP	SCREW 9/64-40 L= 3.5		*		2.00
43	WP0371016SD	WASHER 3.7X8X1		*		2.00
44	10015105	KEY				1.00
45	10017705	SPRING				1.00
46	SS4120915SP	SCREW 3/16-28 L=9				4.00

47	SS7090910TP	SCREW 9/64-40 L= 8.5				1.00
48	SS7620750SP	SCREW 3/16-32 L= 6.5				1.00
49	WP1021016SD	WASHER				1.00
50	WZ1052010KP	WAVED WASHER				2.00
51	WP1020616SD	WASHER				1.00
52	WP0371036SD	WASHER 3.7X6X1				1.00



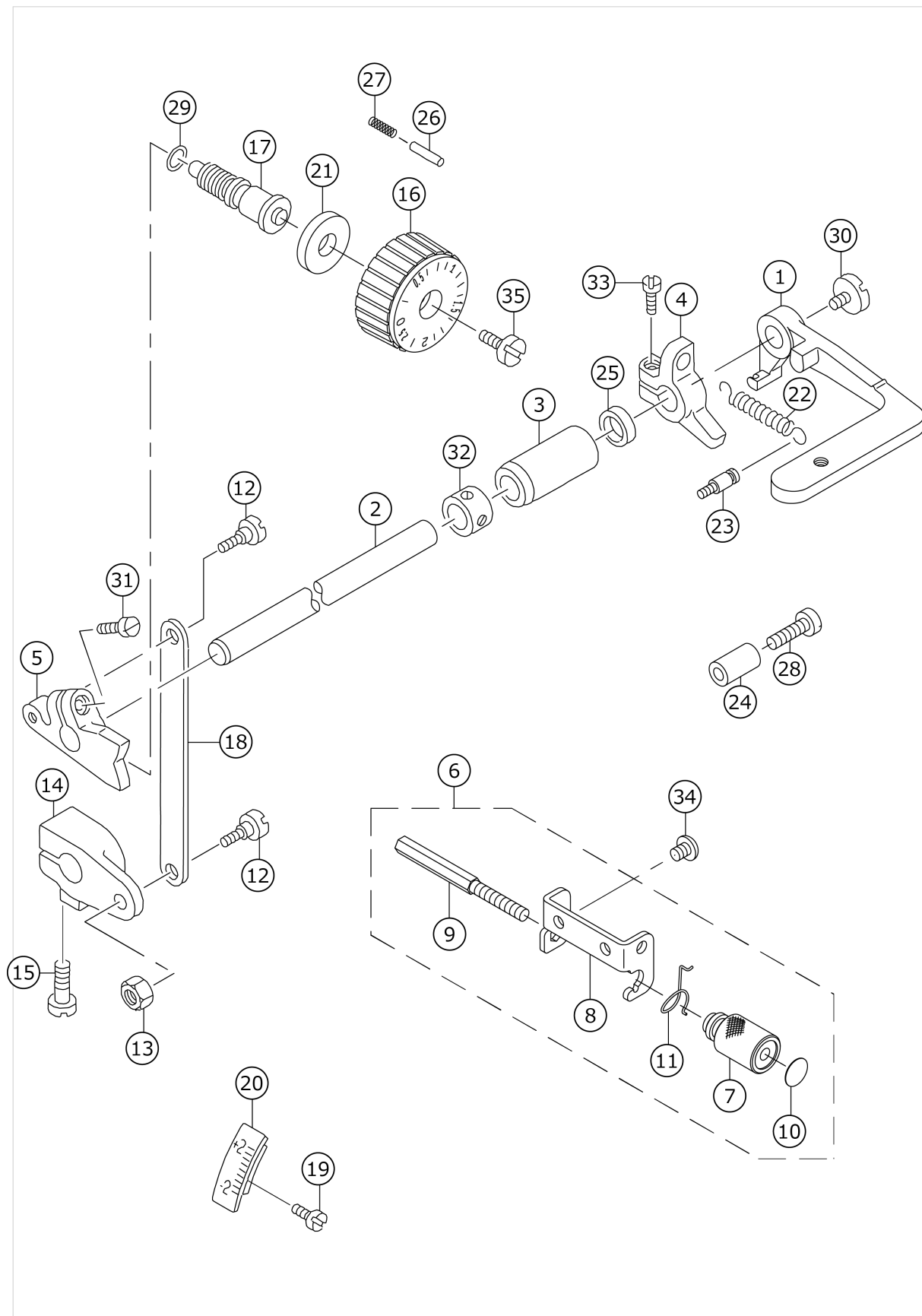
# PRESSER BAR & FEED REGULATOR COMPONENTS



No.	品番	品名	備考	子部品	消耗品	個数
1	22547970	PRESSER FOOT ASM.	VARIOUS NOS.FO R DESTINATIONS			1.00
2	22547954	PRESSER FOOT ASM.		*		1.00
3	22547913	PRESSER FOOT (LOWER)		*		1.00
4	22546816	PRESSER FOOT (UPPER)		*		1.00
5	22547806	PRESSER PIN		*		1.00
6	B1525582000	SPRING		*		1.00
7	SS6090810SP	SCREW 9/64-40 L= 7.5		*		1.00
8	10021202	FINGER COVER		*		1.00
9	26307850	HAND LIFTER CAM COMPL.				1.00
10	26308007	LIFTING LEVER				1.00
11	B1516552000	LIFTING LEVER LINK				1.00
12	22908909	HINGE SCREW				2.00
13	22908305	LIFTING LEVER CONNECTING ROD				1.00
14	B3414555000	LIFTING LEVER LINK ARM				1.00
15	B3416555000	SWIVEL				1.00
16	B3416552000	CONNECTING ROD HINGE SCREW				1.00
17	10022010	PRESSER BAR				1.00
18	22907554	PRESSER SPRING REG NUT ASM.				1.00
19	22907505	PRESSER SPRING REGULATOR		*		1.00
20	22907604	PRESSER SPRING REGULATOR NUT		*		1.00
21	22907406	PRESSER SPRING	VARIOUS NOS.FO R DESTINATIONS			1.00
22	22907109	PRESSER BAR BUSHING LOWER				1.00
23	22907802	HAND LIFTER				1.00
24	B1521555000	SCREW				1.00
25	B3431581000	LIFTING LEVER GASKET				1.00
26	B1517552000	HINGE PIN				1.00
27	B1523226000	SNAP RING				1.00
28	10022606	CONNECTING ROD VERTICAL				1.00
29	GAK33041000	KNEE LIFTING LINK STEP-SCREW				1.00
30	GAK33042000	KNEE LIFTING LINK SPRING				1.00
31	RE0500000K0	E-RING				1.00
32	SD0630301SP	HINGE SCREW D=6.35 H=3				1.00
33	SS7090910TP	SCREW 9/64-40 L= 8.5				1.00
34	B1505227T00A	PRESSER SPRING T	VARIOUS NOS.FO R DESTINATIONS			1.00
35	RO037180100	RUBBER RING				1.00
36	SD0630275SP	HINGE SCREW D= 6.35 H= 2.7				1.00
37	NS6620310SP	NUT 3/16-32				1.00
38	RE0600000K0	E-RING 6				1.00
39	SS8151720SP	SCREW				1.00
40	SS8150510TP	SCREW 15/64-28 L= 4.7				1.00
41	22548671	PRESSER FOOT ASM.	VARIOUS NOS.FO R DESTINATIONS			1.00
42	22548655	PRESSER FOOT ASM.		*		1.00
43	22548614	PRESSER FOOT (LOWER)		*		1.00
44	22546816	PRESSER FOOT (UPPER)		*		1.00
45	22547806	PRESSER PIN		*		1.00
46	SS6090810SP	SCREW 9/64-40 L= 7.5		*		1.00

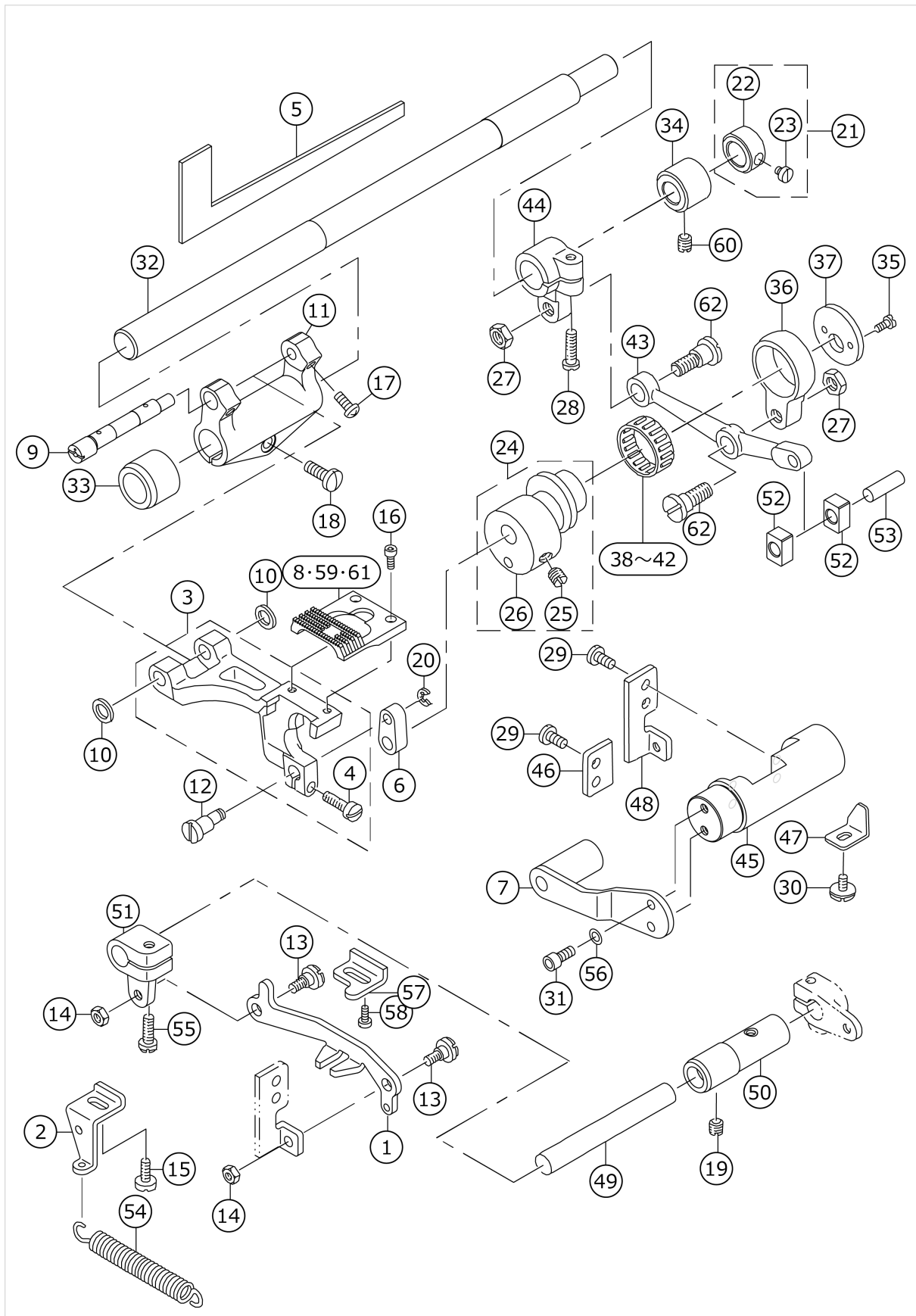
47	B1525582000	SPRING		*		1.00
48	10021202	FINGER COVER		*		1.00
49	40070531	PRESSER_BAR_CONNECTION_ASM.				1.00
50	SS7111110TP	SCREW 11/64-40 L=10.5		*		1.00
51	26302901	PRESSER BAR GUIDE BRACKET		*		1.00
52	22548960	PRESSER ASM.	VARIOUS NOS.FO R DESTINATIONS			1.00
53	10021103	PRESSER PIN		*		1.00
54	22545404	SAFETY COVER		*		1.00
55	B1525582000	SPRING		*		1.00
56	SS6090810SP	SCREW 9/64-40 L= 7.5		*		1.00
57	22545206	PRESSER FOOT (UPPER)		*		1.00
58	22548903	PRESSER FOOT (LOWER)		*		1.00
59	22907703	PRESSER GUIDE BAR				1.00

# FEED MECHANISM & CONDENSE COMPONENTS



No.	品番	品名	備考	子部品	消耗品	個数
1	40056754	LEVER				1.00
2	26312405	FEED REGULATOR SHAFT / n				1.00
3	26308205	BUSHING				1.00
4	26308353	CONDENSE STOPPER ARM ASM.				1.00
5	26308403	FEED DRIVING ADJUSTER				1.00
6	40057195	CONDENSE KNOB ASM.				1.00
7	40057197	CONDENS KNOB		*		1.00
8	40057196	ADJUSTING SCREW BASE		*		1.00
9	40057199	ADJUSTING SCREW		*		1.00
10	26309005	STOPPER DIAL PLATE		*		1.00
11	40057198	KNOB GUIDE		*		1.00
12	SD0600321SP	HINGE SCREW D=6 H=3.2				2.00
13	NS6120310SP	NUT 3/16-28				1.00
14	26303602	FEED VARIABLE ARM B				1.00
15	SS6121610TP	SCREW 3/16-28 L=15.5				1.00
16	26302000	FEED DIAL				1.00
17	22519201	ADJUSTING SCREW				1.00
18	22519300	FEED REVERSAL LINK				1.00
19	SS4120615SP	SCREW 3/16-28 L=6				2.00
20	22519805	SCALE PLATE				1.00
21	D2468555B00	RUBBER PLUNGER	FOR LZ-228*N-7			1.00
22	D2515232D00	TORSION SPRING				1.00
23	26226407	TENSION SPRING HOOK				1.00
24	22952501	BACK LEVER STOPPER				1.00
25	B2508704000	OIL SEAL				1.00
26	22912000	FEED REGULATOR PIN				1.00
27	22912109	FEED REGULATOR PIN SPRING				1.00
28	SS6121840SP	SCREW 3/16-28 L=18				1.00
29	RO074240100	RUBBER RING				1.00
30	SS7620750SP	SCREW 3/16-32 L= 6.5				1.00
31	SS7121410TP	SCREW 3/16-28 L=14				1.00
32	CS1031210SH	THRUST COLLAR ASM. D=10.32 W=12				1.00
33	SS7121410TP	SCREW 3/16-28 L=14				1.00
34	SS4120615SP	SCREW 3/16-28 L=6				2.00
35	SS6121860SP	SCREW 3/16-28 L=18				1.00

# FEED MECHANISM COMPONENTS

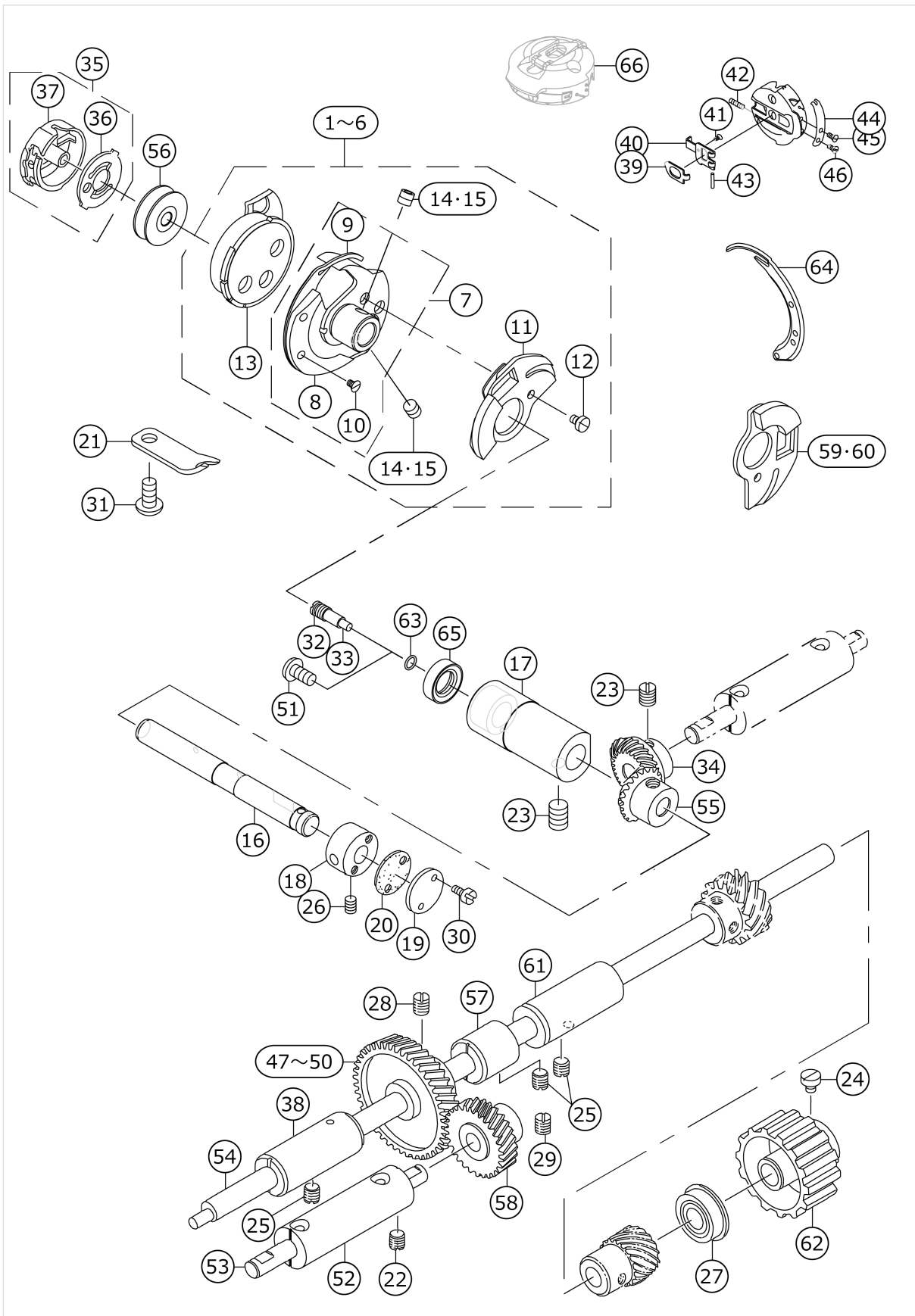


No.	品番	品名	備考	子部品	消耗品	個数
1	26309104	FEED REVERSAL LINK B				1.00
2	22519607	TENSION SPRING RACK				1.00
3	40031418	FEED BASE ASM.				1.00
4	SS7121410TP	SCREW 3/16-28 L=14		*		1.00
5	22519904	FELT				1.00
6	22520001	LINK				1.00
7	26309351	BALANCE WEIGHT COMPL.				1.00
8	22548119	FEED DOG	VARIOUS NOS.FO R DESTINATIONS			1.00
9	40035702	FEED BASE SHAFT				1.00
10	10026201	SPACER				2.00
11	40055832	FEED ROCER				1.00
12	26303107	LINK SHAFT				1.00
13	SD0600321SP	HINGE SCREW D=6 H=3.2				2.00
14	NS6120310SP	NUT 3/16-28				2.00
15	SS6111140SP	SCREW 11/64-40 L=11				1.00
16	SS6580752TP	SCREW 1/8-40 L=7				2.00
17	SS4120915SP	SCREW 3/16-28 L=9				2.00
18	SS7121410TP	SCREW 3/16-28 L=14				1.00
19	SS8150510TP	SCREW 15/64-28 L= 4.7				1.00
20	RE0300000K0	E-RING 3				1.00
21	CS1111010SH	THRUST COLLAR ASM. D=11.11 W=10				1.00
22	CS1111019SH	THRUST COLLAR D=11.11 W=10		*		1.00
23	SS6660710TP	SCREW 1/4-40 L=7		*		1.00
24	10026763	ECCENTRIC CAM ASM.				1.00
25	SS8660810TP	SCREW 1/4-40 L=8		*		2.00
26	10026706	ECCENTRIC CAM		*		1.00
27	NS6680410SP	NUT 9/32-28				2.00
28	SS6121610TP	SCREW 3/16-28 L=15.5				1.00
29	SS7110910TP	SCREW 11/64-40 L= 8.5				4.00
30	SS5110710SP	SCREW 11/64-40 L=7				1.00
31	SS6111052TP	SCREW				2.00
32	26314906	FEED ROCKER SHAFT				1.00
33	B1604141H00	BUSHING FRONT				1.00
34	26314500	FEED ROCKER SHAFT BUSHING FRONT				1.00
35	SS4080620TP	SCREW 1/8-44 L=6				2.00
36	26300509	ROD				1.00
37	10026904	SIDE DISC PLATE				1.00
38	B1609804A00	BUSHING	SELECTIVE PARTS			1.00
39	B1609804B00	NEEDLE BEARING	SELECTIVE PARTS			1.00
40	B1609804C00	BEARING	SELECTIVE PARTS			1.00
41	B1609804D00	BEARING	SELECTIVE PARTS			1.00
42	B1609804E00	BEARING	SELECTIVE PARTS			1.00
43	26303206	CONNECTING ROD				1.00
44	10027100	FEED ROCKER SHAFT CRANK				1.00

45	40010319	FEED ADJUSTING				1.00
46	26303404	PLATE A				1.00
47	10027506	STOPPER PLATE				1.00
48	10027407	PLATE B				1.00
49	26303503	FEED VARIABLE SHAFT				1.00
50	40043912	BUSHING				1.00
51	26303701	FEED VARIABLE ARM C				1.00
52	40050457	FEED DRIVING ROCKER BLOCK				2.00
53	40032271	FEED DRIVING ROCKER BLOCK PIN				1.00
54	B1646555000	TENSION SPRING				1.00
55	SS7121410TP	SCREW 3/16-28 L=14				1.00
56	WP0450846SP	WASHER				2.00
57	10029304	REVERSE FEED LIMITER				1.00
58	SS6111140SP	SCREW 11/64-40 L=11				1.00
59	22545107	FEED DOG	VARIOUS NOS.FO R DESTINATIONS			1.00
60	SS8150710SP	SCREW 15/64-28 L=7				2.00
61	22548804	FEED DOG	VARIOUS NOS.FO R DESTINATIONS			1.00
62	SD0900701TP	HINGE SCREW D=9 H=7				2.00



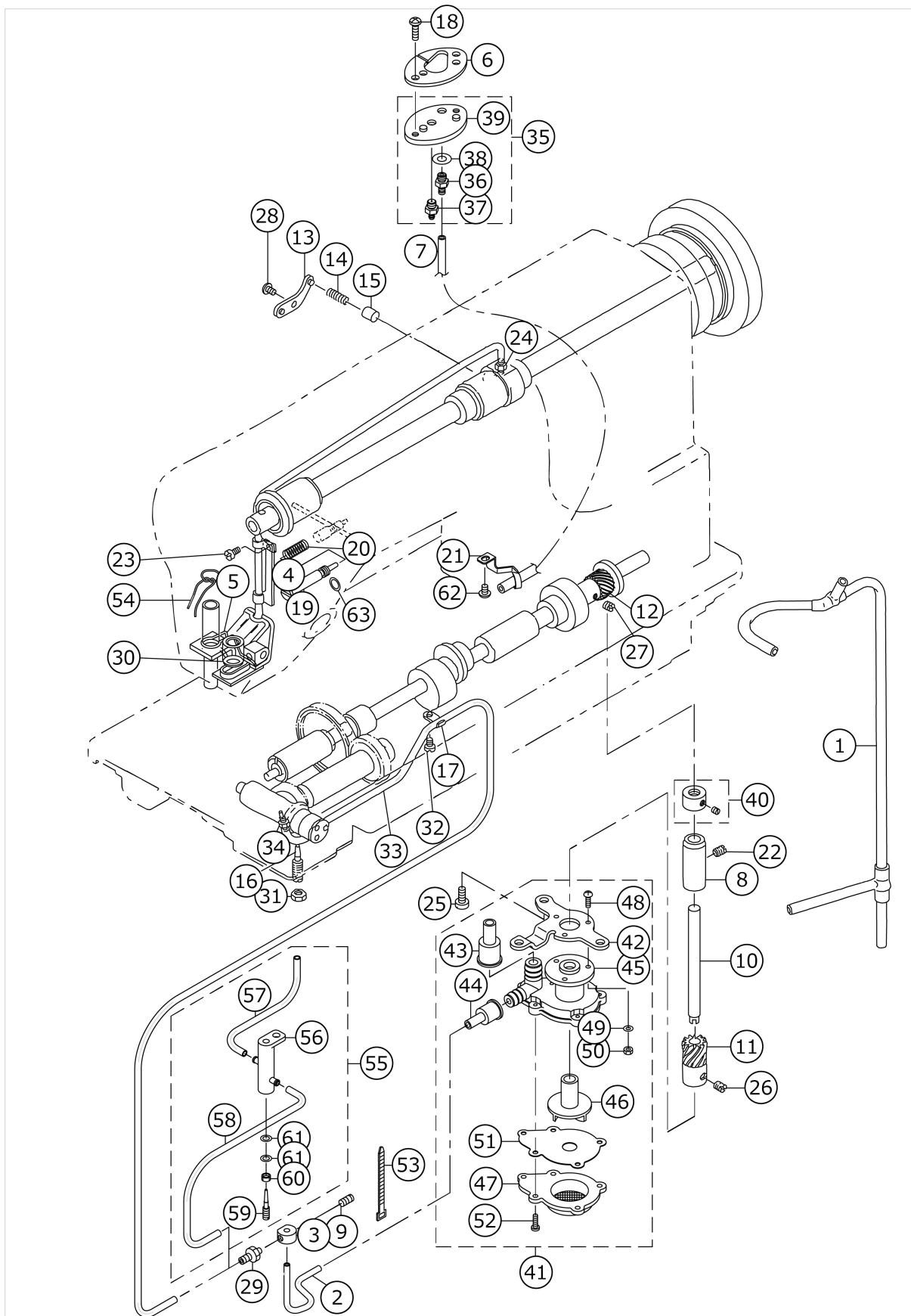
# HOOK DRIVING SHAFT & HOOK COMPONENTS



No.	品番	品名	備考	子部品	消耗品	個数
1	22525059	HOOK COMPL.	SPECIAL ORDER PARTS			1.00
2	22525877	HOOK COMPL. V				1.00
3	22526677	HOOK COMPL. V (PLASTIC HOOK)	SPECIAL ORDER PARTS			1.00
4	22526578	HOOK COMPL. V (HARD POINT)	SPECIAL ORDER PARTS			1.00
5	22525257	HOOK COMBINATION (HARD POINT)	SPECIAL ORDER PARTS			1.00
6	22525752	HOOK ASM. (PLASTIC)	SPECIAL ORDER PARTS			1.00
7	22525968	ROTATING HOOK V ASM.	SPECIAL ORDER PARTS	*		1.00
8	22525919	OUTER HOOK V	SPECIAL ORDER PARTS	*		1.00
9	23503501	INNER HOOK PRESSER V-S	SPECIAL ORDER PARTS	*		1.00
10	10033009	HOOK GIB SCREW	SPECIAL ORDER PARTS	*		2.00
11	22526206	REVERSE PLATE V	SPECIAL ORDER PARTS	*		1.00
12	10033108	HOOK COUNTER BALANCE SCREW	SPECIAL ORDER PARTS	*		1.00
13	22526008	INNER HOOK V	SPECIAL ORDER PARTS	*		1.00
14	SS8110422TP	SCREW 11/64-40 L=4	SPECIAL ORDER PARTS	*		2.00
15	SS8110520TP	SCREW 11/64-40 L=4.5	SPECIAL ORDER PARTS	*		2.00
16	40043050	HOOK SHAFT				1.00
17	40043051	HOOK SHAFT BUSHING				1.00
18	26304303	HOOK SHAFT BUSHING B				1.00
19	10031615	BUSHING CAP				1.00
20	10031714	GASKET				1.00
21	23503402	INNER HOOK STOPPER				1.00
22	SS8150710SP	SCREW 15/64-28 L=7				1.00
23	SS8660810TP	SCREW 1/4-40 L=8				4.00
24	SS6660710TP	SCREW 1/4-40 L=7				2.00
25	SS8150710SP	SCREW 15/64-28 L=7				3.00
26	SS8150822TP	SCREW 15/64-28 L=8				1.00
27	SB109530100	BEARING D=9.52X22.22				1.00
28	SS8660810TP	SCREW 1/4-40 L=8				2.00
29	SS8660810TP	SCREW 1/4-40 L=8				2.00
30	SS4080620TP	SCREW 1/8-44 L=6				2.00
31	SS4110915SP	SCREW 11/64-40 L=9				1.00
32	22916506	SET SCREW				1.00
33	11015906	OIL WICK				1.00
34	B13071550A0	GEAR ASM. LARGE				1.00
35	40003598	BOBBIN CASE ASM.				1.00
36	13729702	BOBBIN CASE SPRING		*		1.00

37	40003599	BOBBIN CASE COMPL.		*		1.00
38	26303800	BUSHING FRONT				1.00
39	19800903	LC-601-1/ LATCH LEVER	SPECIAL ORDER PARTS			1.00
40	19801000	LC-602-2/ LATCH	SPECIAL ORDER PARTS			1.00
41	19801307	SMS-801-B/ SETSCREW PICK-UP	SPECIAL ORDER PARTS			1.00
42	19801109	LSP-4/ LATCH SPRING	SPECIAL ORDER PARTS			1.00
43	19801208	LFP-1/ LATCH PIN	SPECIAL ORDER PARTS			1.00
44	19801406	TSP-604-B/ TENSION SPRING	SPECIAL ORDER PARTS			1.00
45	19801505	SMS-608-B/ TENSION SCREW	SPECIAL ORDER PARTS			1.00
46	19801604	SMS-609-B/ SETSCREW TENSION SPRING	SPECIAL ORDER PARTS			1.00
47	10030609	HELICAL GEAR A_A	SELECTIVE PARTS			1.00
48	10030708	HELICAL GEAR A_B	SELECTIVE PARTS			1.00
49	10030807	HELICAL GEAR A_C	SELECTIVE PARTS			1.00
50	10030906	HELICAL GEAR A_D	SELECTIVE PARTS			1.00
51	11079506	FRONT SCREW	SPECIAL ORDER PARTS			1.00
52	26309609	BUSHING				1.00
53	26309708	SHAFT				1.00
54	40010305	HOOK DRIVING SHAFT				1.00
55	B13081550A0	PINION ASM.				1.00
56	22596704	BOBBIN S				1.00
57	26303909	BUSHING				1.00
58	10031003	HELICAL GEAR B				1.00
59	22524805	REVERSE PLATE	SPECIAL ORDER PARTS			1.00
60	22526206	REVERSE PLATE V	SPECIAL ORDER PARTS			1.00
61	26304006	BUSHING REAR				1.00
62	10030401	HOOK DRIVING SHAFT SPROCKET				1.00
63	RO036080200	RUBBER RING				1.00
64	23503303	INNER PRESSER V-S4	SPECIAL ORDER PARTS			1.00
65	23537202	HOOK SHAFT OIL SEAL				1.00
66	40109123	BOBBIN CASE ASM.(THREE HOLE)	SPECIAL ORDER PARTS			1.00

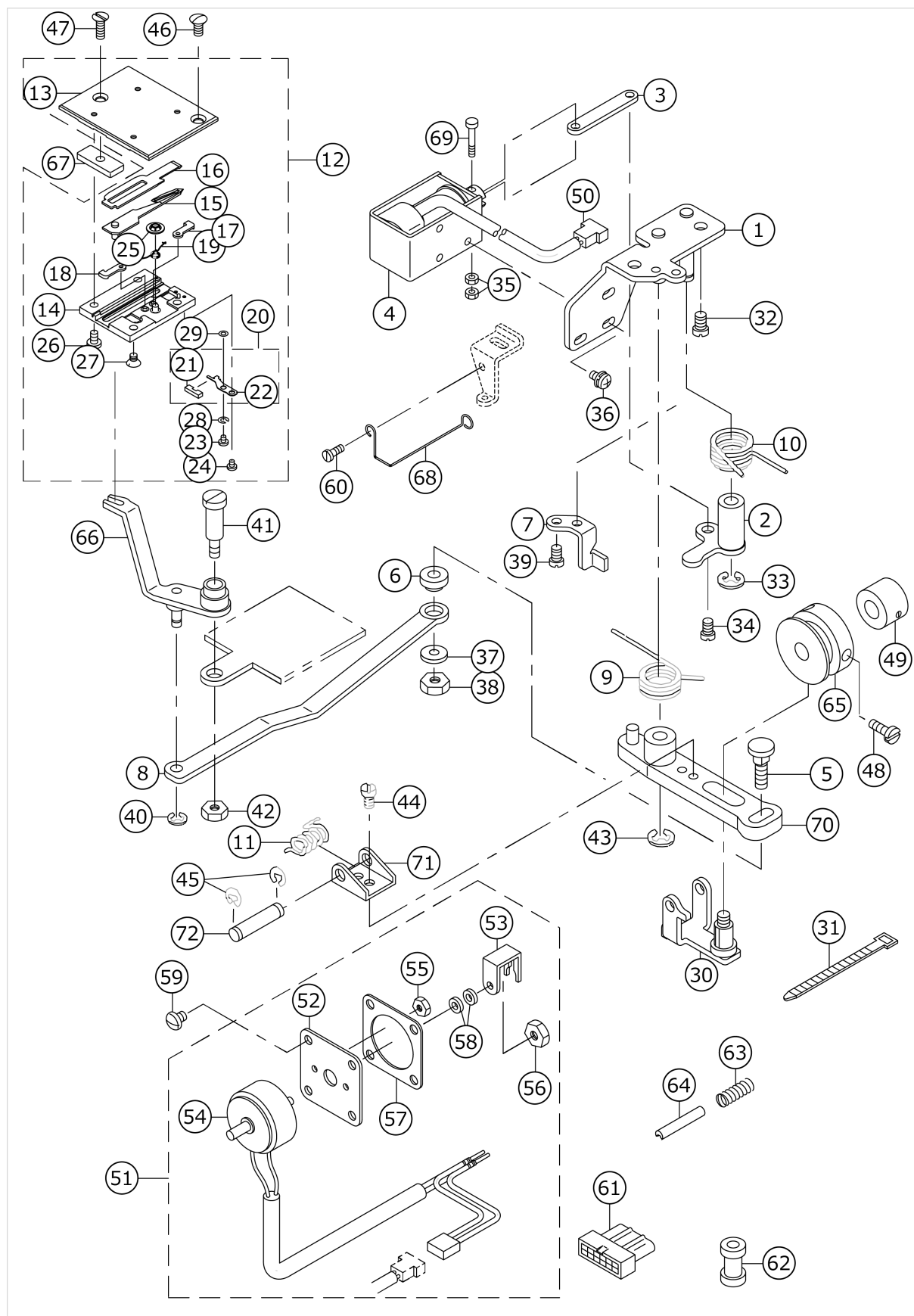
# LUBRICATION COMPONENTS



No.	品番	品名	備考	子部品	消耗品	個数
1	26315150	OIL SUPPLY PIPE ASM.				1.00
2	26315200	OIL SUPPLY PIPE				1.00
3	40035544	DISTRIBUTOR				1.00
4	22531552	FELT ASM.				1.00
5	26311902	FELT PRESSER				1.00
6	40070261	GASKET				1.00
7	BT0500300EA	OIL TUBE				0.30
8	10035301	BUSHING				1.00
9	SS8110510SP	SCREW 11/64-40 L=5				1.00
10	26315408	UPRIGHT SHAFT				1.00
11	10035111	PUMP DRIVING GEAR				1.00
12	10035004	PUMP DRIVING GEAR A				1.00
13	B3524552000	PLUNGER THRUST PLATE				1.00
14	B1214038000	PLUNGER SPRING				1.00
15	B3534155000	PLUNGER				1.00
16	10037109	OIL REGULATING SCREW				1.00
17	B3538112000	OIL RETURN TUBE HOLDER	VARIOUS NOS. F OR DESTINATION S			1.00
18	SS4111415SP	SCREW 11/64-40 L=14				2.00
19	26304501	OIL REGULATING SCREW				1.00
20	22924906	OIL REGULATOR SCREW SPRING				1.00
21	40009373	OIL FELT GUIDE				1.00
22	SS8150710SP	SCREW 15/64-28 L=7				1.00
23	SS4110715SP	SCREW 11/64-40 L=7				1.00
24	SQ1110402MZ	CONNECTING SCREW				1.00
25	SS6111140SP	SCREW 11/64-40 L=11				2.00
26	SS8660530TP	SCREW 1/4-40 L= 4.5				2.00
27	SS8660530TP	SCREW 1/4-40 L= 4.5				2.00
28	SS4110615SP	SCREW 11/64-40 L=6				1.00
29	SQ1110402MZ	CONNECTING SCREW				1.00
30	CQ202000000	OIL WICK				0.20
31	NS6150310SP	NUT 15/64-28				1.00
32	SS4110515SP	SCREW 11/64-40 L=5				1.00
33	BT0500300EA	OIL TUBE	VARIOUS NOS. F OR DESTINATION S			0.33
34	SQ1110402MZ	CONNECTING SCREW				2.00
35	40070259	OIL_TANK_ASM.				1.00
36	SQ2060451MZ	CONNECTING SCREW		*		1.00
37	40070262	CONNECTING_SCREW		*		1.00
38	WP0621016SD	WASHER 6.2X13X1		*		1.00
39	40070260	OIL_TANK		*		1.00
40	22917058	THRUST COLLAR ASM. FRONT				1.00
41	40020337	OIL PUMP ASM.				1.00
42	40020342	OIL PUMP INSTALLING BASE		*		1.00
43	40020343	RUBBER JOINT		*		1.00
44	40020344	RUBBER JOINT		*		1.00
45	40020338	OIL PUMP		*		1.00
46	40020345	OIL PUMP IMPELLER		*		1.00

47	40020346	OIL PUMP COVER		*		1.00
48	SM4031001SC	SCREW M3X0.5 L=10		*		3.00
49	WT0320002KZ	WASHER		*		3.00
50	NM60300000E	NUT M3X0.5		*		3.00
51	40020341	OIL PUMP IMPELLER COVER		*		1.00
52	SE4301031SR	SCREW		*		5.00
53	EA9500B0100	CABLE BAND				1.00
54	CQ202000000	OIL WICK				0.20
55	40069742	OIL REGULATING VALVE ASM.	VARIOUS NOS. F OR DESTINATION S			1.00
56	40069741	OIL REGULATING VALVE		*		1.00
57	BT0500300EA	OIL TUBE		*		0.15
58	BT0500300EA	OIL TUBE		*		0.20
59	10623601	OIL ADJUSTING SCREW		*		1.00
60	NS6110310SP	NUT 11/64-40		*		1.00
61	WP0450846SP	WASHER		*		2.00
62	SS4110615SP	SCREW 11/64-40 L=6				1.00
63	RO029180100	RUBBER RING				1.00

# THREAD TRIMMER MECHANISM COMPONENTS

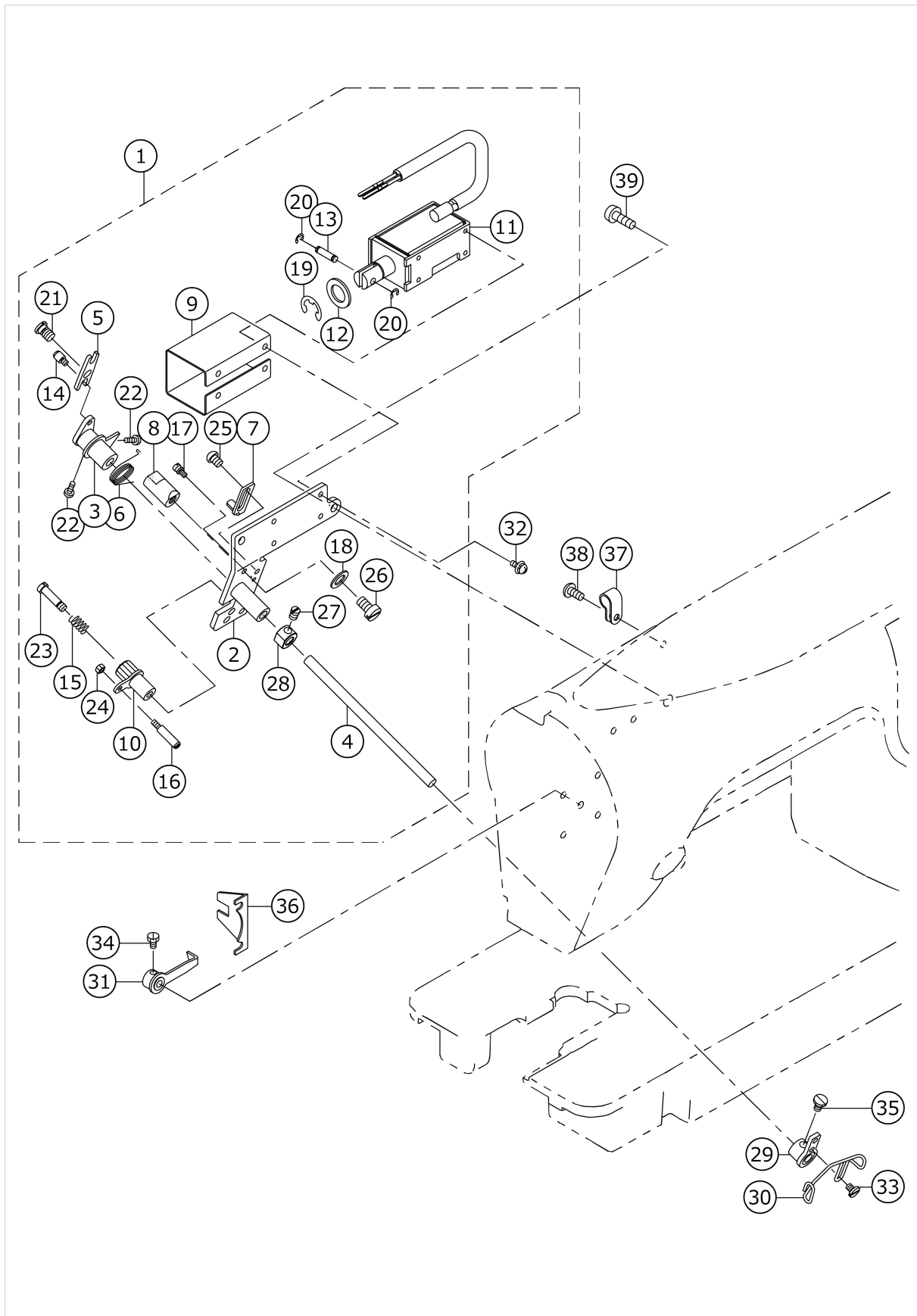


No.	品番	品名	備考	子部品	消耗品	個数
1	22554158	BASE PLATE ASM.				1.00
2	22554356	CLUTCH PLATE ASM.				1.00
3	22554505	CLUTCH LINK				1.00
4	40106079	THREAD_TRIMMER_SOLENOID				1.00
5	40010295	MOVING KNIFE LINK PIN				1.00
6	22554802	MOVING KNIFE LINK BASE				1.00
7	22554901	DRIVING ARM STOPPER				1.00
8	22555007	MOVING KNIFE LINK				1.00
9	22555106	KNIFE RETURN SPRING				1.00
10	22555205	CLUTCH SPRING				1.00
11	22555304	ROLLER RETURN SPRING				1.00
12	22557458	KNIFE UNIT				1.00
13	22558308	SLIDING PLATE		*		1.00
14	22558407	KNIFE BASE		*		1.00
15	22557557	DRIVING KNIFE ASM.		*		1.00
16	22557706	FIXED KNIFE		*		1.00
17	22557805	KNIFE STOPPER RIGHT		*		1.00
18	22557904	KNIFE STOPPER LEFT		*		1.00
19	22558209	SPRING		*		1.00
20	22558159	CLAMP PLATE ASM.		*		1.00
21	22558001	FELT		*		1.00
22	22558100	CLAMP PLATE		*		1.00
23	SS7060310SP	SCREW 3/32-56 L=3		*		1.00
24	SS7060310SP	SCREW 3/32-56 L=3		*		1.00
25	NP210300000	LOCATING SPRING WASHER		*		1.00
26	SS7090610SP	SCREW 9/64-40 L=6		*		2.00
27	SS1090510SP	SCREW 9/64-40 L=5		*		2.00
28	WS0270002KN	SPRING WASHER M2.6		*		1.00
29	D2056772B0B	WASHER B T=0.4		*		1.00
30	22555858	ROLLER ARM ASM.				1.00
31	EA9500B0100	CABLE BAND				2.00
32	SS4150915SP	SCREW 15/64-28 L=9				2.00
33	RE0600000K0	E-RING 6				1.00
34	SD0600291TP	HINGE SCREW D=6 H=2.9				1.00
35	NM6030001SB	NUT M3				2.00
36	SL4040881SC	SCREW M4 L=8				3.00
37	WP0621016SH	WASHER				1.00
38	NS6150430SP	NUT 15/64-28				1.00
39	SS4110915SP	SCREW 11/64-40 L=9				2.00
40	RE0500000K0	E-RING				1.00
41	SD0791503SP	HINGE SCREW D=7.94 H=15				1.00
42	NS6150310SP	NUT 15/64-28				1.00
43	RE0600000K0	E-RING 6				1.00
44	SS7090610SP	SCREW 9/64-40 L=6				1.00
45	RE0400000K0	E-RING 4				2.00
46	SS2110920TP	SCREW 11/64-40 L=8.5				1.00
47	SS2111010TP	SCREW 11/64-40 L=9.5				1.00
48	SS6660710TP	SCREW 1/4-40 L=7				2.00
49	CS095101BSH	THRUST COLLAR ASM. D=9.53 W=10				1.00
50	HK00443002A	HOUSING 2P				1.00



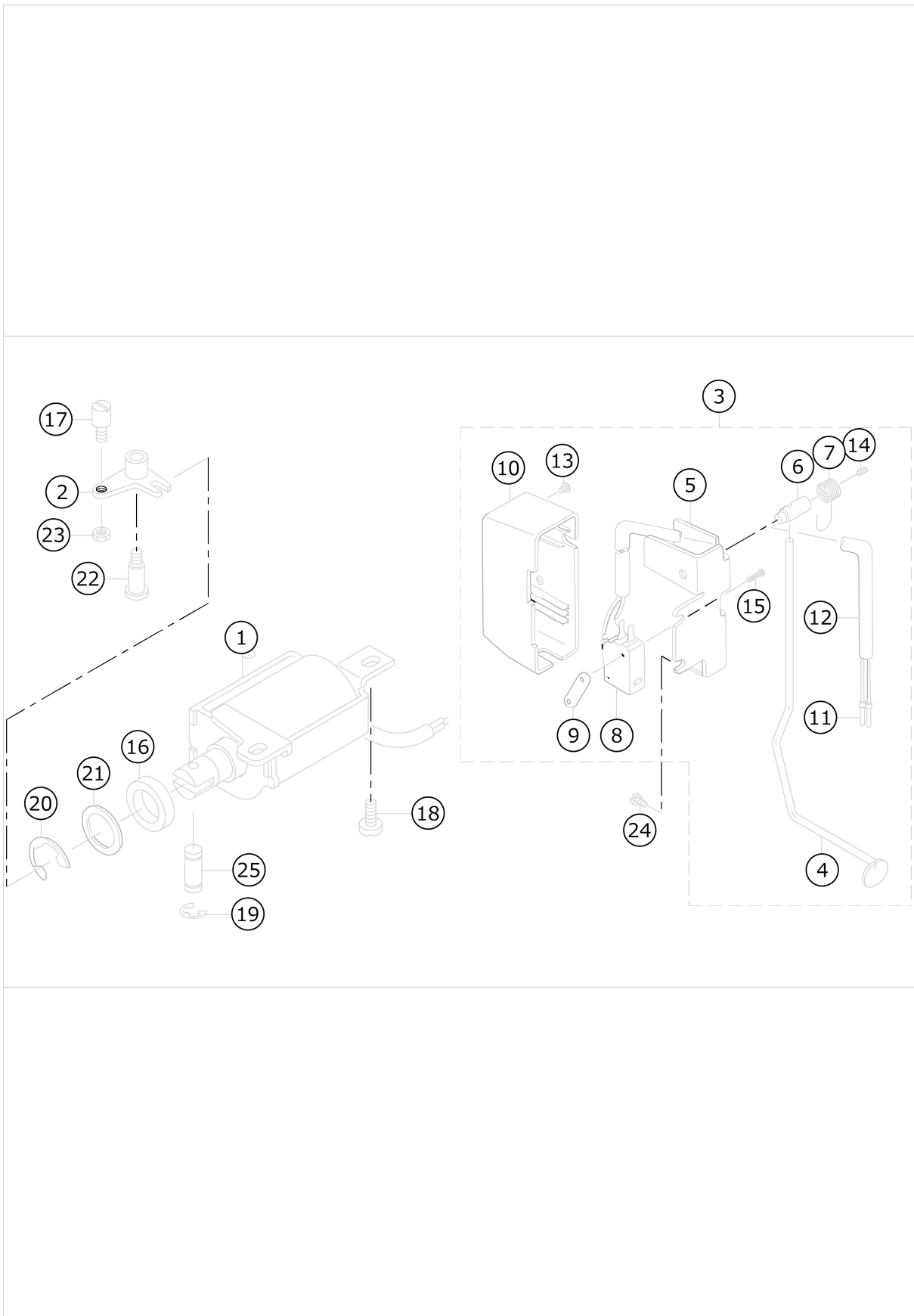
51	22552764	SOLENOID ASM.				1.00
52	22552806	SOLENOID FITTING BASE		*		1.00
53	22552905	THREAD RELEASE PUSH PLATE		*		1.00
54	22552756	THREAD RELEASE SOLENOID ASM.		*		1.00
55	NM6030001SC	NUT M3		*		2.00
56	NM6040001SN	NUT M4X0.7		*		1.00
57	22501704	GASKET		*		1.00
58	13705603	FRAME SIDE COVER GASKET		*		2.00
59	SS4120615SP	SCREW 3/16-28 L=6				4.00
60	SS4110515SP	SCREW 11/64-40 L=5				1.00
61	HK034610140	HOUSING 14P				1.00
62	D2467555B00	RUBBER PLUG				2.00
63	16194300	SPRING				1.00
64	PS0300182KF	SPRING PIN 3X18				1.00
65	22558506	THREAD CUTTING CAM B				1.00
66	22555551	FORK KNIFE ASM.				1.00
67	22556906	FIXED PLATE				1.00
68	22557003	CORD PRESSER				1.00
69	23542418	CLUTCH LINK PIN				1.00
70	22948558	KNIFE DRIVING ARM ASM.				1.00
71	11041308	ROLLER ARM BRACKET				1.00
72	11041407	ROLLER FULCRUM SHAFT				1.00

# UPPER THREAD FEEDER COMPONENTS



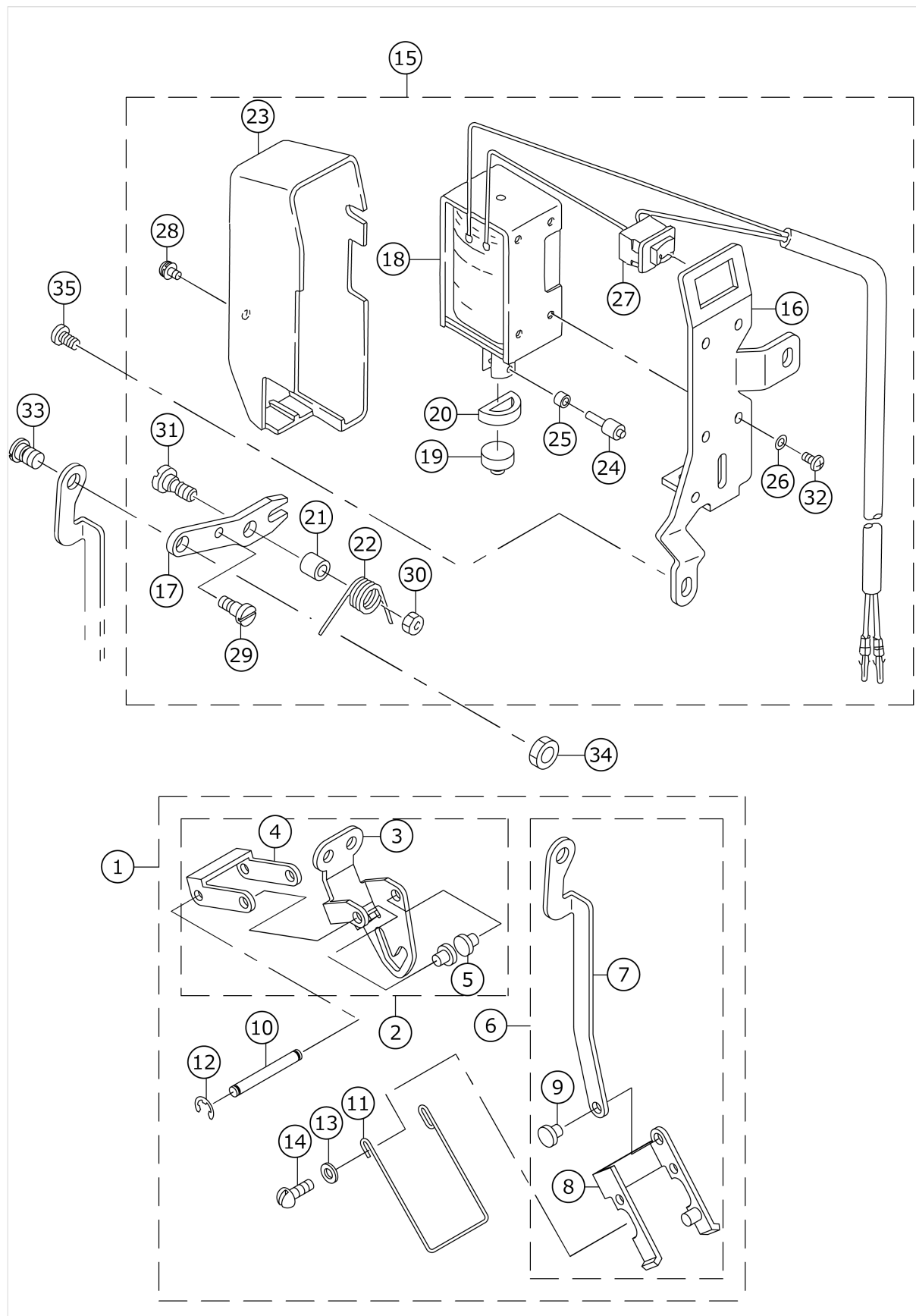
No.	品番	品名	備考	子部品	消耗品	個数
1	22564157	THREAD FEEDER ASM.				1.00
2	22564256	FITTING BASE COMPL.		*		1.00
3	22564454	FEED LEVER COMPL.		*		1.00
4	22564702	FEED LEVER SHAFT		*		1.00
5	22564801	LINK		*		1.00
6	22565204	FEED LEVER SPRING		*		1.00
7	22565303	STOPPER		*		1.00
8	40116710	SHAFT		*		1.00
9	22565501	SOLENOID COVER		*		1.00
10	22565659	PLATE		*		1.00
11	22565857	SOLENOID COMPL.		*		1.00
12	11234408	SOLENOID RUBBER		*		1.00
13	11234507	PLUNGER CONNECTING PIN		*		1.00
14	B2560372000	BUTTON CLAMP STOP PIN		*		1.00
15	B2626372000	SPRING		*		1.00
16	B2034372000	THREAD RELEASING SCREW STUD		*		1.00
17	B2024771000	SUSPENSION SCREW		*		1.00
18	WP0621046SP	WASHER		*		1.00
19	RE0900000K0	E-RING 9		*		1.00
20	RE0300000K0	E-RING 3		*		2.00
21	SD0640241SP	HINGE SCREW D= 6.35 H= 2.4		*		1.00
22	SS7110540SP	SCREW 11/64-40 L=5		*		2.00
23	SD0481451SP	HINGE SCREW D= 4.80 H=14.5		*		1.00
24	NS6080340SP	NUT 1/8-44		*		1.00
25	SS4120615SP	SCREW 3/16-28 L=6		*		1.00
26	SM6061010TP	SCREW M6 L=10		*		1.00
27	SS7110540SP	SCREW 11/64-40 L=5		*		2.00
28	CS0640863SH	THRUST COLLAR D=6.35 W=8		*		1.00
29	22564959	FITTING PLATE COMPL.				1.00
30	22565105	WIRE				1.00
31	22566152	STOPPER PLATE COMPL.				1.00
32	SL4030881SF	SCREW M3 L=8				4.00
33	SS6090540SP	SCREW 9/64-40 L= 5.0				2.00
34	SS9090610TP	SCREW 9/64-40 L=5.5				2.00
35	SS9110620TP	SCREW				2.00
36	22566301	STOPPER PLATE GUIDE				1.00
37	HX00123000A	CABLE CLIP	FOR LZ-228*N-7-00			1.00
38	SS4121015SP	SCREW 3/16-28 L=10	FOR LZ-228*N-7-00			1.00
39	SS4120915SP	SCREW 3/16-28 L=9				2.00

# AUTOMATIC REVERSE FEED MECHANISM COMPONENTS



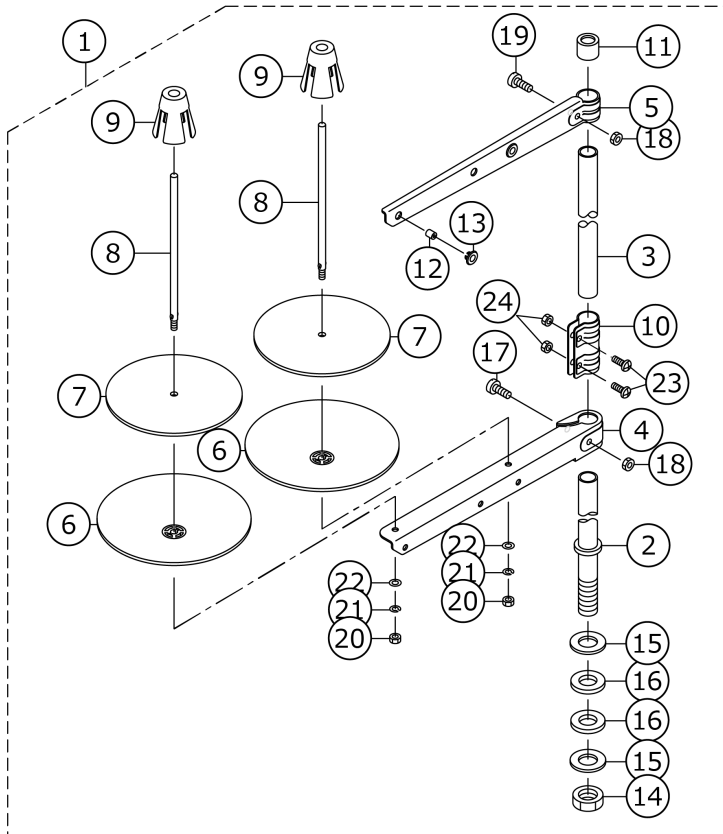
No.	品番	品名	備考	子部品	消耗品	個数
1	40108060	REVERSE FEED SOLENOID ASM.				1.00
2	22544159	REVERSE FEED MAGNET LINK ASM.				1.00
3	22559850	REVERSE FEED SWITCH ASM.				1.00
4	22559900	REVERSE FEED SWITCH LEVER		*		1.00
5	11102001	REVERSE FEED SWITCH BASE		*		1.00
6	11102100	REVERSE FEED SWITCH SHAFT		*		1.00
7	11102209	REVERSE FEED SWITCH SPRING		*		1.00
8	HA001900000	MICROSWITCH		*		1.00
9	11102308	MICRO SWITCH PLATE		*		1.00
10	11072501	REVERSE FEED SWITCH COVER		*		1.00
11	HK03464000B	PIN CONTACT		*		2.00
12	HW500070000	2-CORE CABTYRE CORD		*		1.50
13	SM4040655SP	SCREW M4 L=6		*		1.00
14	SM8040802TP	SCREW M4X8		*		1.00
15	SM4031501SC	SCREW M3 L=15		*		2.00
16	D2468555B00	RUBBER PLUNGER				1.00
17	B1213372000	SCREW				1.00
18	SS4150915SP	SCREW 15/64-28 L=9				2.00
19	RE0400000K0	E-RING 4				2.00
20	RE1200000K0	E-RING 12				1.00
21	WP1602616SZ	WASHER 16X24X2.6				1.00
22	SD0791503SP	HINGE SCREW D=7.94 H=15				1.00
23	NS6150310SP	NUT 15/64-28				1.00
24	SS4120615SP	SCREW 3/16-28 L=6				2.00
25	11101003	PLUNGER ARM PIN				1.00

# WIPER MECHANISM COMPONENTS



No.	品番	品名	備考	子部品	消耗品	個数
1	22561757	WIPER ASM.				1.00
2	22561856	WIPER BASE ASM.		*		1.00
3	22561807	WIPER BASE		*		1.00
4	10208601	WIPER LINK 1		*		1.00
5	D2107490D00	PIN		*		2.00
6	22561955	WIPER LINK COMPL.		*		1.00
7	22561906	WIPER LINK		*		1.00
8	10208858	WIPER LINK ASM. 2		*		1.00
9	D2107490D00	PIN		*		1.00
10	10208700	WIPER LINK SHAFT		*		1.00
11	22561708	WIPER		*		1.00
12	RE0320000K0	E-RING 3.2		*		2.00
13	WP0371016SD	WASHER 3.7X8X1		*		2.00
14	SS3090520SP	SCREW 9/64-40 L=4.5		*		2.00
15	22562052	SOLENOID ASM.				1.00
16	22562102	WIPER BASE		*		1.00
17	22562201	WIPER LINK		*		1.00
18	40106936	WIPER SOLENOID ASM.		*		1.00
19	22955900	WIPER RUBBER A		*		1.00
20	22956007	WIPER RUBBER B		*		1.00
21	22956205	WIPER HINGE SCREW COLLAR		*		1.00
22	22956304	WIPER SPRING		*		1.00
23	22955504	WIPER COVER		*		1.00
24	22957104	WIPER SOLENOID SHAFT		*		1.00
25	22957203	WIPER LINK COLLAR		*		1.00
26	WS0310002KR	SPRING WASHER 3.1X5.9X0.7		*		4.00
27	HA00600000A	SWITCH		*		1.00
28	SL4030631SC	SCREW M3X6		*		1.00
29	SD0500481TP	HINGE SCREW D= 5 H= 4.8		*		1.00
30	NS6110310SP	NUT 11/64-40		*		1.00
31	SD0650321TP	HINGE SCREW D=6.5 H=3.2		*		1.00
32	SM4030601SN	SCREW M3 X 6		*		4.00
33	SD0600271SP	HINGE SCREW D= 6 H= 2.7				1.00
34	NS6110310SP	NUT 11/64-40				1.00
35	SS4120615SP	SCREW 3/16-28 L=6				2.00

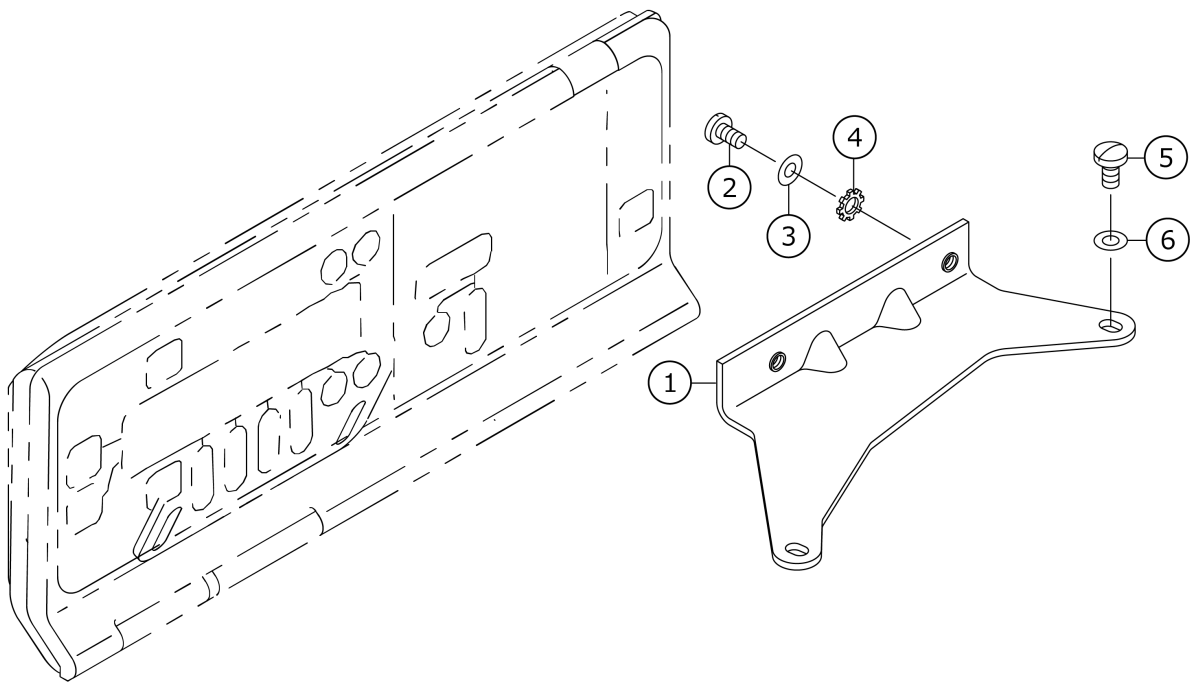
# THREAD STAND COMPONENTS





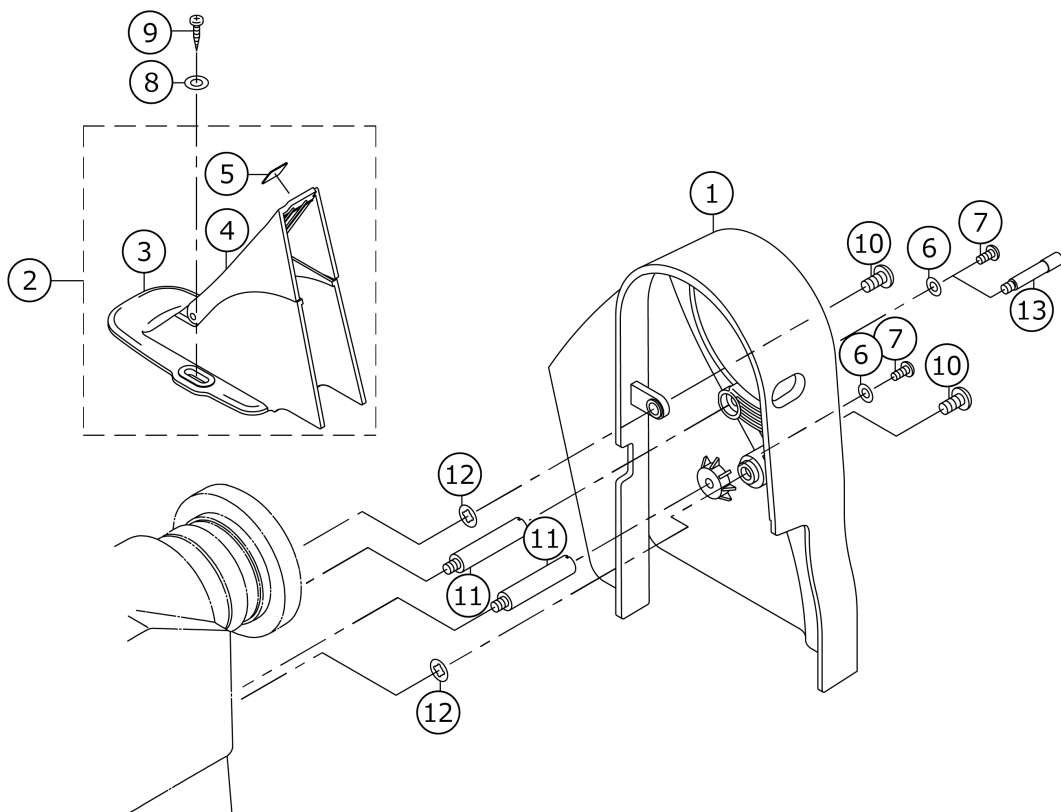
No.	品番	品名	備考	子部品	消耗品	個数
1	40096354	THREAD STAND ASM.				1.00
2	40085784	SPOOL REST ROD LOWER		*		1.00
3	40085785	SPOOL REST ROD UPPER		*		1.00
4	40085786	SPOOL REST ARM LOWER		*		1.00
5	40085787	SPOOL REST ARM UPPER		*		1.00
6	40085788	SPOOL REST		*		2.00
7	40085789	SPOOL REST CUSHION		*		2.00
8	40085790	SPOOL PIN		*		2.00
9	40085791	SPOOL RETAINER		*		2.00
10	40085792	SPOOL REST ROD JOINT		*		1.00
11	40085793	SPOOL REST ROD RUBBER CAP		*		1.00
12	40085794	THREAD GUIDE		*		2.00
13	40085795	THREAD GUIDE BUSHING		*		2.00
14	40096325	SPOOL REST ROD NUT		*		1.00
15	WP1612616SE	WASHER 16X30X2.6		*		2.00
16	40085796	SPOOL REST ROD RUBBER CUSHION		*		2.00
17	40096326	SPOOL REST ARM LOWER SCREW		*		1.00
18	NM6050001SE	NUT M5		*		2.00
19	40096327	SPOOL REST ARM UPPER SCREW		*		1.00
20	NM6050001SE	NUT M5		*		2.00
21	WS0510002KN	SPRING WASHER M5		*		2.00
22	WP0531001SC	WASHER M5		*		2.00
23	SM4051405SE	SCREW M5 L=14		*		2.00
24	NM6050001SE	NUT M5		*		2.00

# CP PANEL COMPONENTS



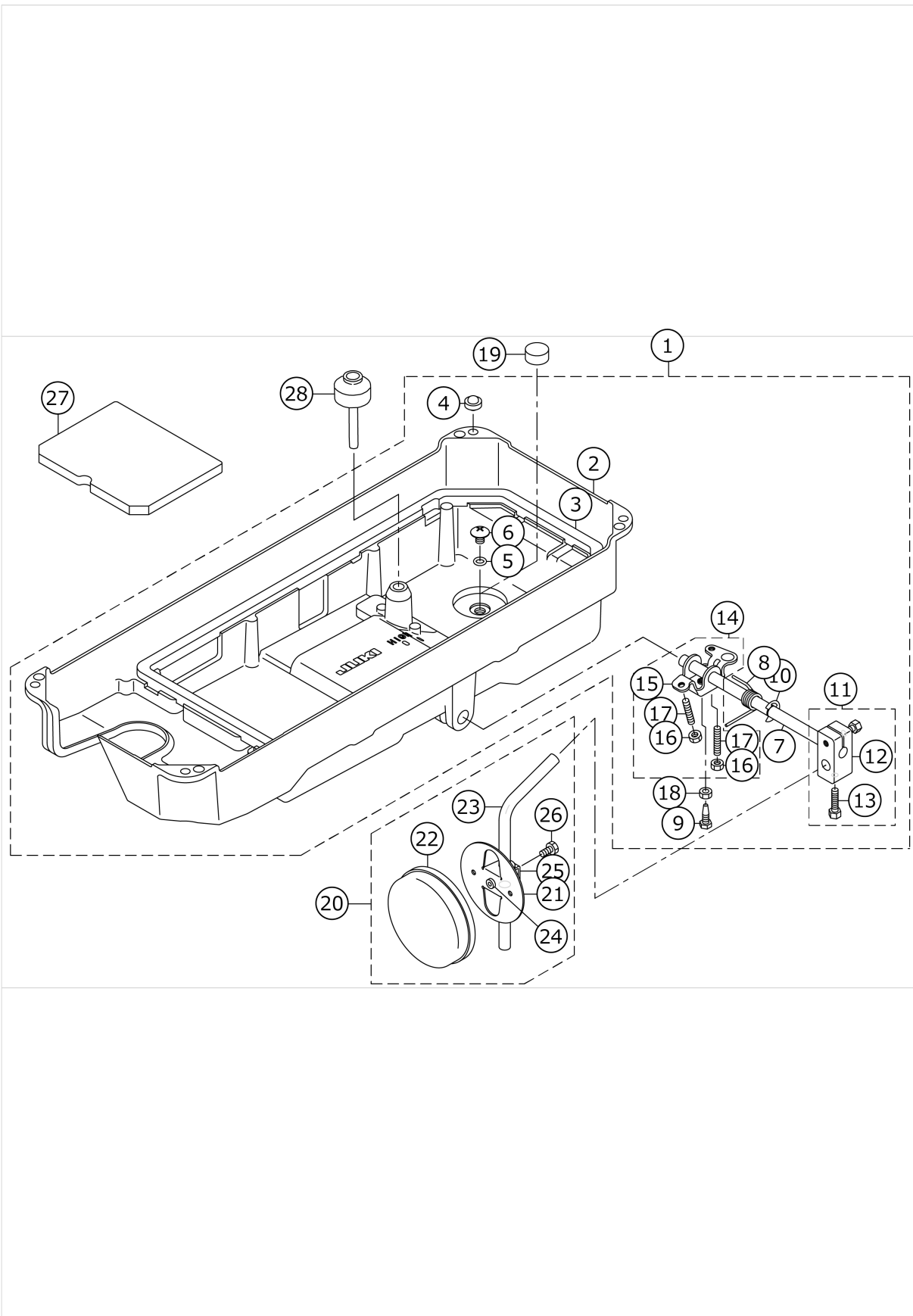
No.	品番	品名	備考	子部品	消耗品	個数
1	22550602	BRACKET	FOR LZ-228*N-7			1.00
2	SS7110840SP	SCREW 11/64-40 L=7.8	FOR LZ-228*N-7			2.00
3	WP0450801SD	WASHER 4.5X10X0.8	PARTS PACKED TOGETHER WITH THE CP PANEL			2.00
4	WT0530002KS	TOOTHED WASHER D=5.3	PARTS PACKED TOGETHER WITH THE CP PANEL			2.00
5	SS7120910TP	SCREW 3/16-28 L=9	FOR LZ-228*N-7			2.00
6	WP0531001SC	WASHER	FOR LZ-228*N-7			2.00

# BELT COVER COMPONENTS



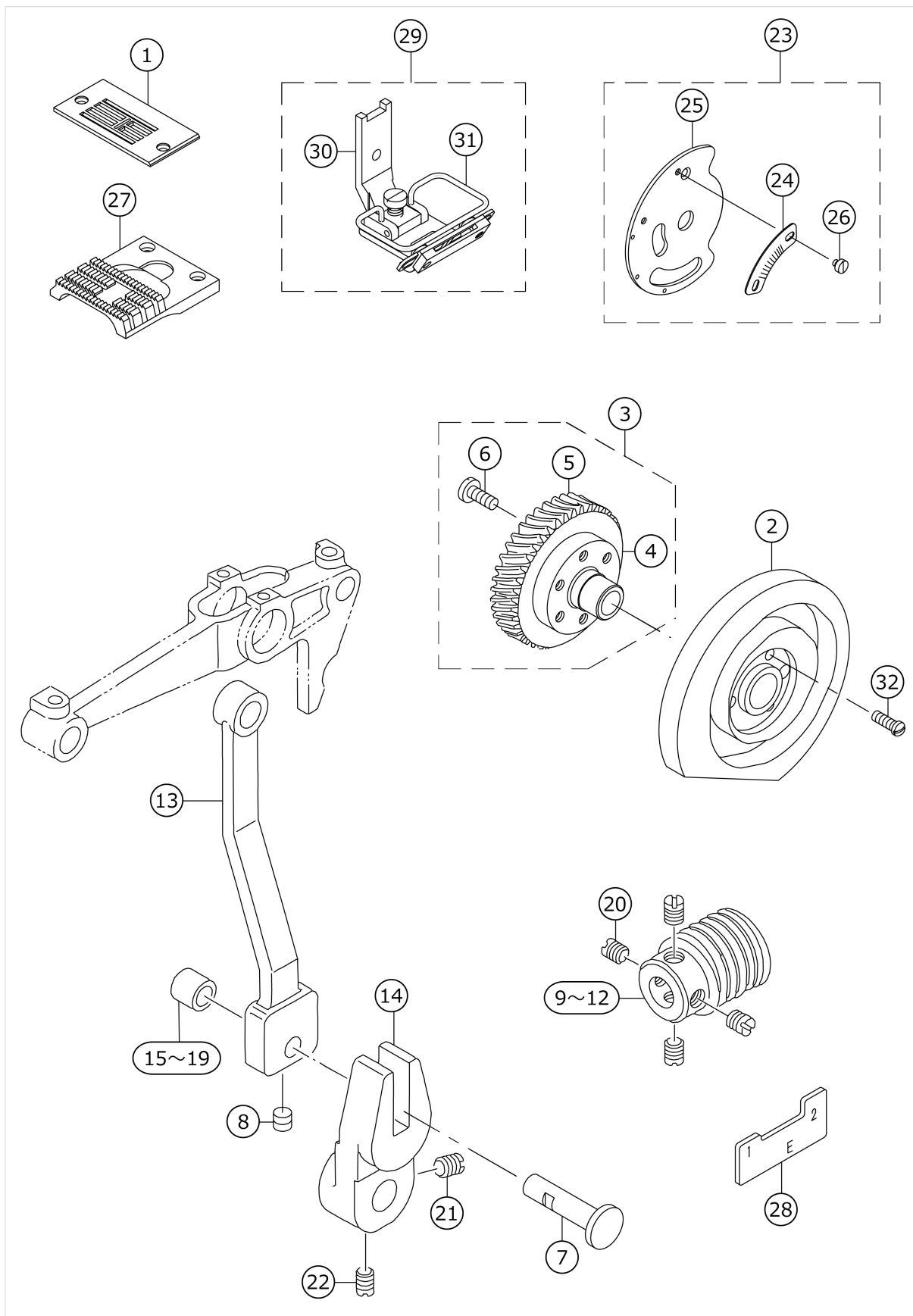
No.	品番	品名	備考	子部品	消耗品	個数
1	26319400	BELT COVER A				1.00
2	26319558	BELT COVER B (COMPL.)				1.00
3	26319509	BELT COVER B		*		1.00
4	26319608	BELT COVER C		*		1.00
5	26319806	VIBROISOLATING RUBBER		*		1.00
6	WP0450801SD	WASHER 4.5X10X0.8				2.00
7	SS4110915SP	SCREW 11/64-40 L=9				2.00
8	WP0450826SC	WASHER 4.5X10X0.8				2.00
9	SK3412001SE	WOOD SCREW D=4.1 L=20				2.00
10	SS4151215SP	SCREW 15/64-28 L=12				2.00
11	40101337	BELT COVER SUPPORT STUD				2.00
12	22535603	WASHER				2.00
13	22535454	SYNCHRONIZER SUPPORT ASM.	SPECIAL ORDER PARTS			1.00

# OIL RESERVOIR & KNEE LIFTER COMPONENTS



No.	品番	品名	備考	子部品	消耗品	個数
1	23502651	OIL RESERVOIR ASM.				1.00
2	22534010	OIL RESERVOIR		*		1.00
3	10038107	OIL RESERVOIR GASKET		*		1.00
4	22932008	RUBBER CUSHION		*		4.00
5	13170105	RUBBER RING		*		1.00
6	13171004	DRAIN SCREW		*		1.00
7	22932305	KNEE PRESS CROSS SHAFT		*		1.00
8	22932206	SPRING		*		1.00
9	SM9061853SR	SCREW M6 L=17.5		*		1.00
10	RE1000000K0	E-RING 10		*		1.00
11	22932453	BRACKET ASM.		*		1.00
12	22932404	BRACKET		*		1.00
13	22934707	SCREW		*		2.00
14	22932156	KNEE LIFTER ROTATION ARM ASM.		*		1.00
15	22932107	KNEE LIFTING ROTATING ARM		*		1.00
16	NM6060001SE	NUT M6		*		2.00
17	SM8063012TR	SCREW M6 L=30		*		2.00
18	NM6060001SE	NUT M6		*		1.00
19	B8228125000	OIL RESERVOIR MAGNET				1.00
20	22934251	KNEE PAD PLATE ASM.				1.00
21	22934202	KNEE PAD PLATE		*		1.00
22	22934509	KNEE PAD PLATE COVER		*		1.00
23	22934608	KNEE PAD UPRIGHT SHAFT		*		1.00
24	22934400	KNEE PAD PLATE RUBBER		*		1.00
25	22934301	KNEE PAD PLATE SUPPORT		*		1.00
26	SM9061203SE	SCREW M6 L=12		*		1.00
27	22534101	OIL RESERVOIR BASE				1.00
28	B3421555000	KNEE PRESS LIFTER ROD				1.00

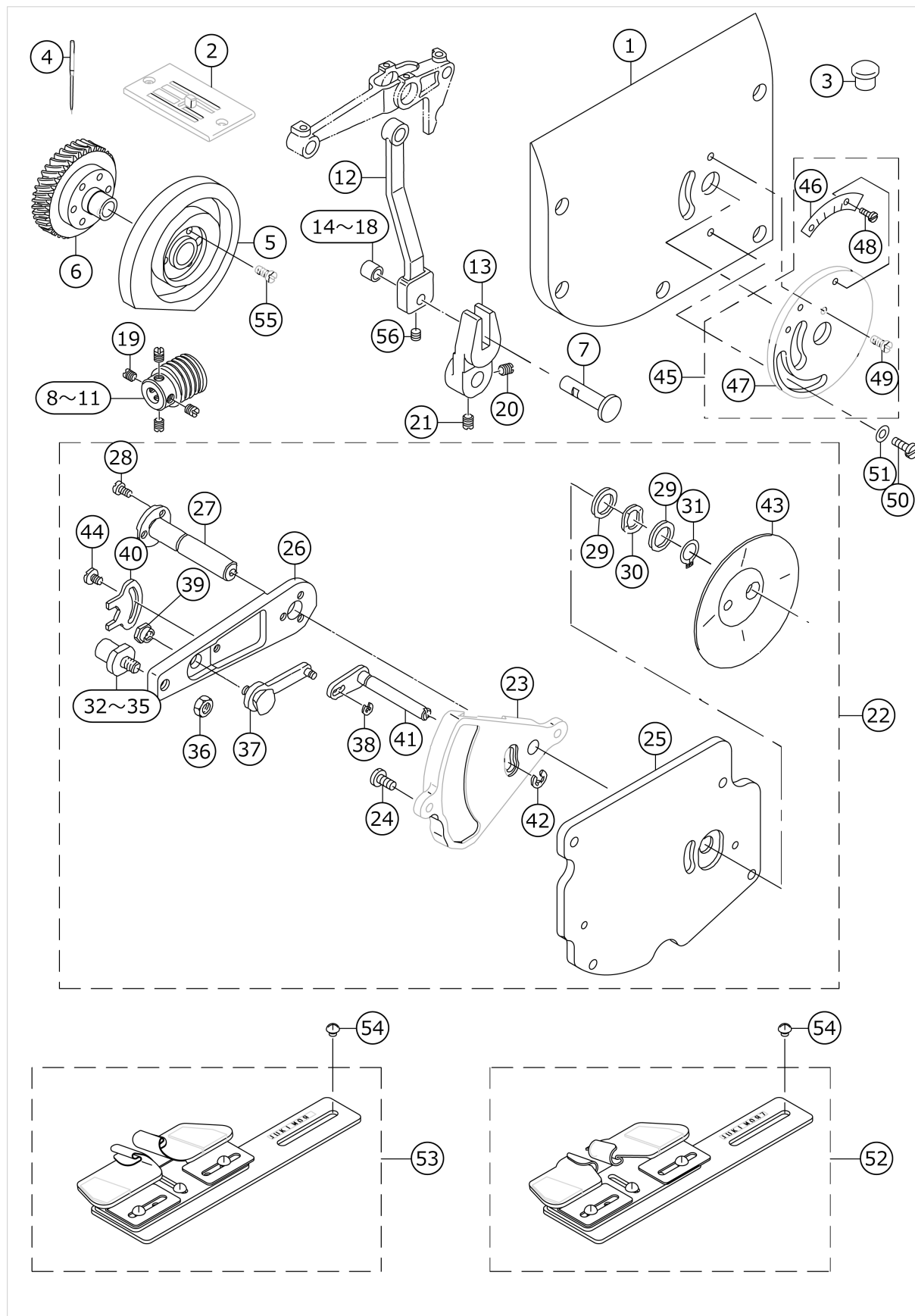
# EXCLUSIVE PARTS FOR LZ-2286NT





No.	品番	品名	備考	子部品	消耗品	個数
1	22582407	NEEDLE PLATE				1.00
2	22585400	NEEDLE VIBRATING CAM A				1.00
3	22585855	WORM WHEEL COMPL.				1.00
4	22585806	WORM WHEEL HUB		*		1.00
5	10043412	WORM WHEEL		*		1.00
6	SS7111120SP	SCREW 11/64-40 L=10.5		*		3.00
7	22585707	SHAFT				1.00
8	SS8110422TP	SCREW 11/64-40 L=4				1.00
9	22527006	WORM A	SELECTIVE PARTS			1.00
10	22527105	WORM B	SELECTIVE PARTS			1.00
11	22527204	WORM C	SELECTIVE PARTS			1.00
12	22527303	WORM D	SELECTIVE PARTS			1.00
13	10044014	NEEDLE VIBRATING ROD				1.00
14	10044105	ROD GUIDE				1.00
15	B2502280B0A	FEED CAM ROLLER	SELECTIVE PARTS			1.00
16	B2502280B0B	FEED CAM ROLLER	SELECTIVE PARTS			1.00
17	B2502280B0C	FEED CAM ROLLER	SELECTIVE PARTS			1.00
18	B2502280B0D	FEED CAM ROLLER	SELECTIVE PARTS			1.00
19	B2502280B0E	FEED CAM ROLLER	SELECTIVE PARTS			1.00
20	SS8660610TP	SCREW 1/4-40 L=6				4.00
21	SS8660810TP	SCREW 1/4-40 L=8				1.00
22	SS8660970TP	SCREW 1/4-40 L= 8.5				1.00
23	22586275	SWING WIDE GRADUATION ASM.				1.00
24	22586226	SWING WIDE GRADUATION		*		1.00
25	26306951	SCALE MOUNTING BASE COMPL.		*		1.00
26	SS6080320SP	SCREW 1/8-44 L= 2.5		*		2.00
27	22581508	FEED DOG				1.00
28	22536502	TIMING GAUGE E				1.00
29	MAB109000B0	TAPING FOOT				1.00
30	MAB109000A0	TAPING PRESSER ASM.		*		1.00
31	22545404	SAFETY COVER		*		1.00
32	SS7111410SP	SCREW 11/64-40 L=14				3.00

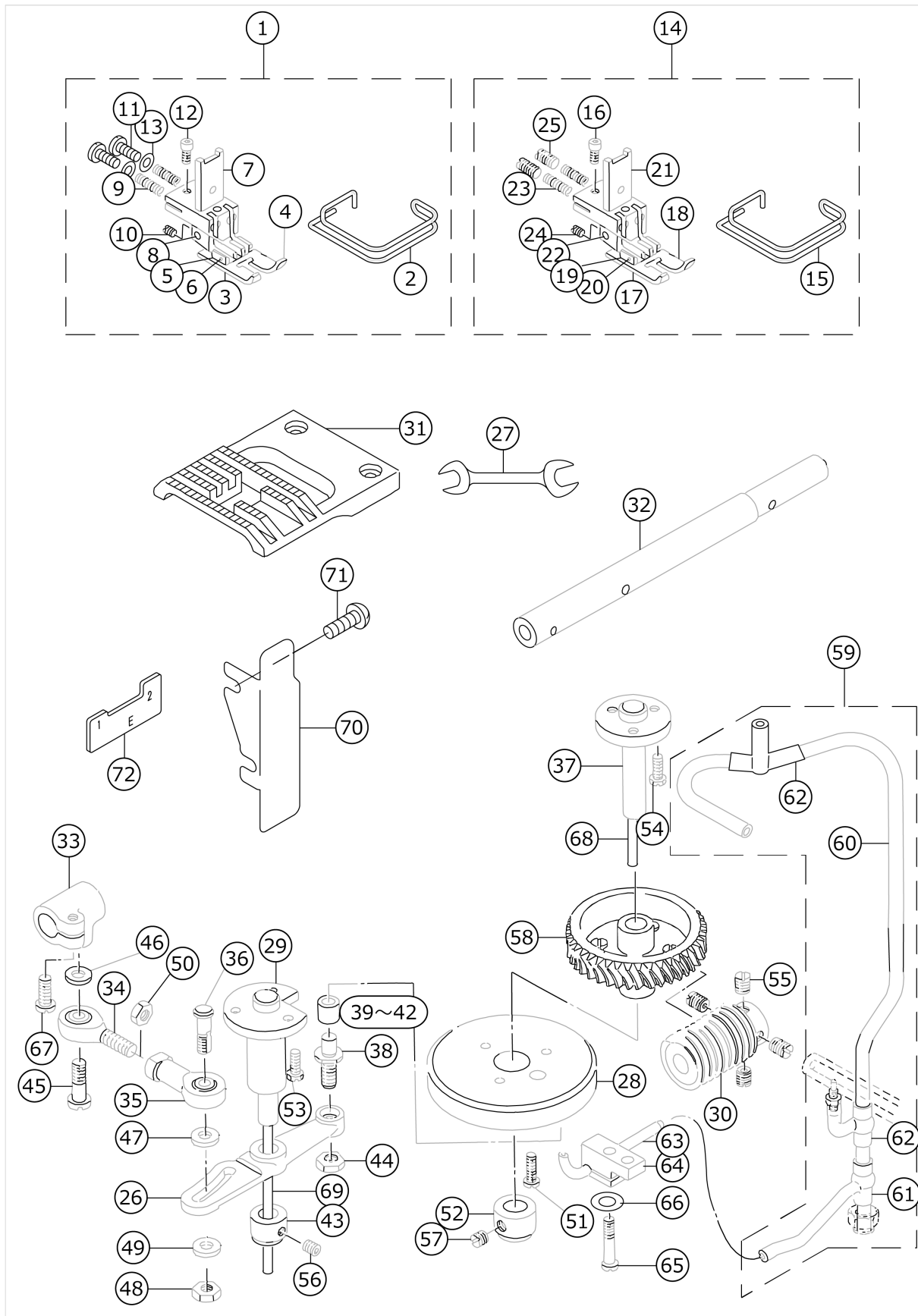
# EXCLUSIVE PARTS FOR LZ-2285N (1)



No.	品番	品名	備考	子部品	消耗品	個数
1	22592505	ARM SIDE COVER				1.00
2	10061554	THROAT PLATE ASM.				1.00
3	TA1871602R0	RUBBER PLUG				1.00
4	MC1923F0800	NEEDLE 438SUK 80				1.00
5	22585509	NEEDLE VIBRATING CAM				1.00
6	22585855	WORM WHEEL COMPL.				1.00
7	22585707	SHAFT				1.00
8	22527006	WORM	SELECTIVE PARTS			1.00
9	22527105	WORM	SELECTIVE PARTS			1.00
10	22527204	WORM	SELECTIVE PARTS			1.00
11	22527303	WORM	SELECTIVE PARTS			1.00
12	10044014	NEEDLE VIBRATING ROD				1.00
13	10044105	ROD GUIDE				1.00
14	B2502280B0A	FEED CAM ROLLER	SELECTIVE PARTS			1.00
15	B2502280B0B	FEED CAM ROLLER	SELECTIVE PARTS			1.00
16	B2502280B0C	FEED CAM ROLLER	SELECTIVE PARTS			1.00
17	B2502280B0D	FEED CAM ROLLER	SELECTIVE PARTS			1.00
18	B2502280B0E	FEED CAM ROLLER	SELECTIVE PARTS			1.00
19	SS8660610TP	SCREW 1/4-40 L=6				4.00
20	SS8660810TP	SCREW 1/4-40 L=8				1.00
21	SS8660970TP	SCREW 1/4-40 L= 8.5				1.00
22	22592653	BASE ASM.				1.00
23	10054112	ARM SETTING BASE		*		1.00
24	SS7110910TP	SCREW 11/64-40 L= 8.5		*		2.00
25	22592604	MOUNTING PLATE		*		1.00
26	26301507	ARM		*		1.00
27	26307306	SHAFT		*		1.00
28	SS6090620SP	SCREW 9/64-40 L=6		*		3.00
29	WP1020616SD	WASHER		*		2.00
30	WZ1052010KP	WAVED WASHER		*		1.00
31	RC0100001KP	SNAP RING M10		*		1.00
32	10016210	SHAFT	SELECTIVE PARTS	*		1.00
33	10016319	SHAFT	SELECTIVE PARTS	*		1.00
34	10016418	SHAFT	SELECTIVE PARTS	*		1.00
35	10016517	SHAFT	SELECTIVE PARTS	*		1.00
36	NS6150310SP	NUT 15/64-28		*		1.00
37	10017168	STOPPER ASM.		*		1.00

38	RE0200000K0	E-RING		*		1.00
39	10018000	NUT		*		1.00
40	10018109	NUT STOPPER		*		1.00
41	10015360	LEVER ASM.		*		1.00
42	RE0400000K0	E-RING 4		*		1.00
43	10017606	OIL SHIELD		*		1.00
44	SS6090520SP	SCREW 9/64-40 L= 5.0		*		1.00
45	22590061	SCALE ASM.				1.00
46	22586200	SCALE		*		1.00
47	22592802	SCALE MOUNTING BASE		*		1.00
48	SS6080320SP	SCREW 1/8-44 L= 2.5		*		2.00
49	SS6111010SP	SCREW 11/64-40 L= 9.5		*		1.00
50	SS6110510SP	SCREW 11/64-40 L=5				1.00
51	WP0480856SP	WASHER 4.8X8.4X0.8				1.00
52	MAM097000A0	FAGOTING FELLER	SPECIAL ORDER PARTS			1.00
53	MAM09700BA0	FAGOTING FOLDER ASM.				1.00
54	SS5110710SP	SCREW 11/64-40 L=7				2.00
55	SS7111410SP	SCREW 11/64-40 L=14				3.00
56	SS8110422TP	SCREW 11/64-40 L=4				1.00

# EXCLUSIVE PARTS FOR LZ-2285N (2)

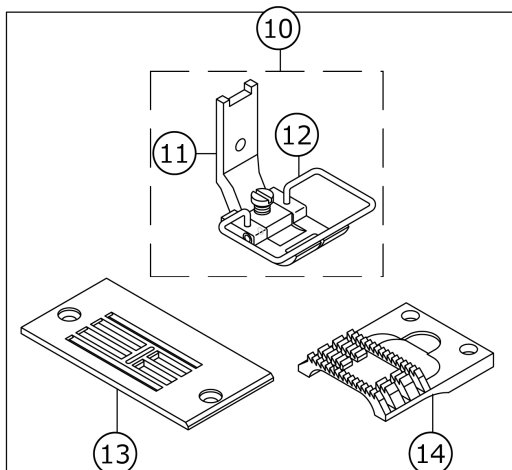


No.	品番	品名	備考	子部品	消耗品	個数
1	22591564	PRESSER FOOT ASM.	NO NECESSARY PART ACCORDING TO DESTINATIONS			1.00
2	22591101	FINGER GUARD		*		1.00
3	10062701	PRESSER FOOT LEFT		*		1.00
4	10062800	PRESSER FOOT RIGHT		*		1.00
5	22591408	PRESSER FOOT ASM.		*		2.00
6	10063303	PIN		*		2.00
7	10063402	PRESSER FOOT UPPER		*		1.00
8	10063501	PIN		*		1.00
9	10063600	SPRING		*		2.00
10	SS8080410TP	SCREW 1/8-44 L=3.5		*		1.00
11	SS7111110TP	SCREW 11/64-40 L=10.5		*		2.00
12	SS6580752TP	SCREW 1/8-40 L=7		*		1.00
13	WP0220300SC	WASHER		*		2.00
14	22591663	PRESSER FOOT ASM.	SPECIAL ORDER PARTS			1.00
15	22591101	FINGER GUARD		*		1.00
16	SS6580752TP	SCREW 1/8-40 L=7		*		1.00
17	10062701	PRESSER FOOT LEFT		*		1.00
18	10062800	PRESSER FOOT RIGHT		*		1.00
19	10063204	PRESSER FOOT ARM		*		2.00
20	10063303	PIN		*		2.00
21	10063402	PRESSER FOOT UPPER		*		1.00
22	10063501	PIN		*		1.00
23	10063600	SPRING		*		2.00
24	SS8080410TP	SCREW 1/8-44 L=3.5		*		1.00
25	SS8111010TP	SCREW 11/64-40 L=9.5		*		2.00
26	22590301	LEVER				1.00
27	B9113012000	WRENCH (9X10)				1.00
28	22590400	FEED CAM				1.00
29	22590509	SHAFT				1.00
30	10063808	WORM				1.00
31	10064004	FEED DOG				1.00
32	10064103	FEED ROCKER SHAFT				1.00
33	10064202	FEED ROCKER SHAFT CRANK				1.00
34	10064301	BALL JOINT A				1.00
35	10064400	BALL JOINT B				1.00
36	10064608	FEED REGULATOR				1.00
37	10064905	FEED CAM SHAFT				1.00
38	10065001	FEED CAM ROLLER SHAFT				1.00
39	B250228000A	FEED CAM ROLLER	SELECTIVE PARTS			1.00
40	B250228000B	FEED CAM ROLLER	SELECTIVE PARTS			1.00
41	B250228000C	FEED CAM ROLLER	SELECTIVE PARTS			1.00
42	B250228000D	CLOTH FEED CAM ROLLER	SELECTIVE PARTS			1.00

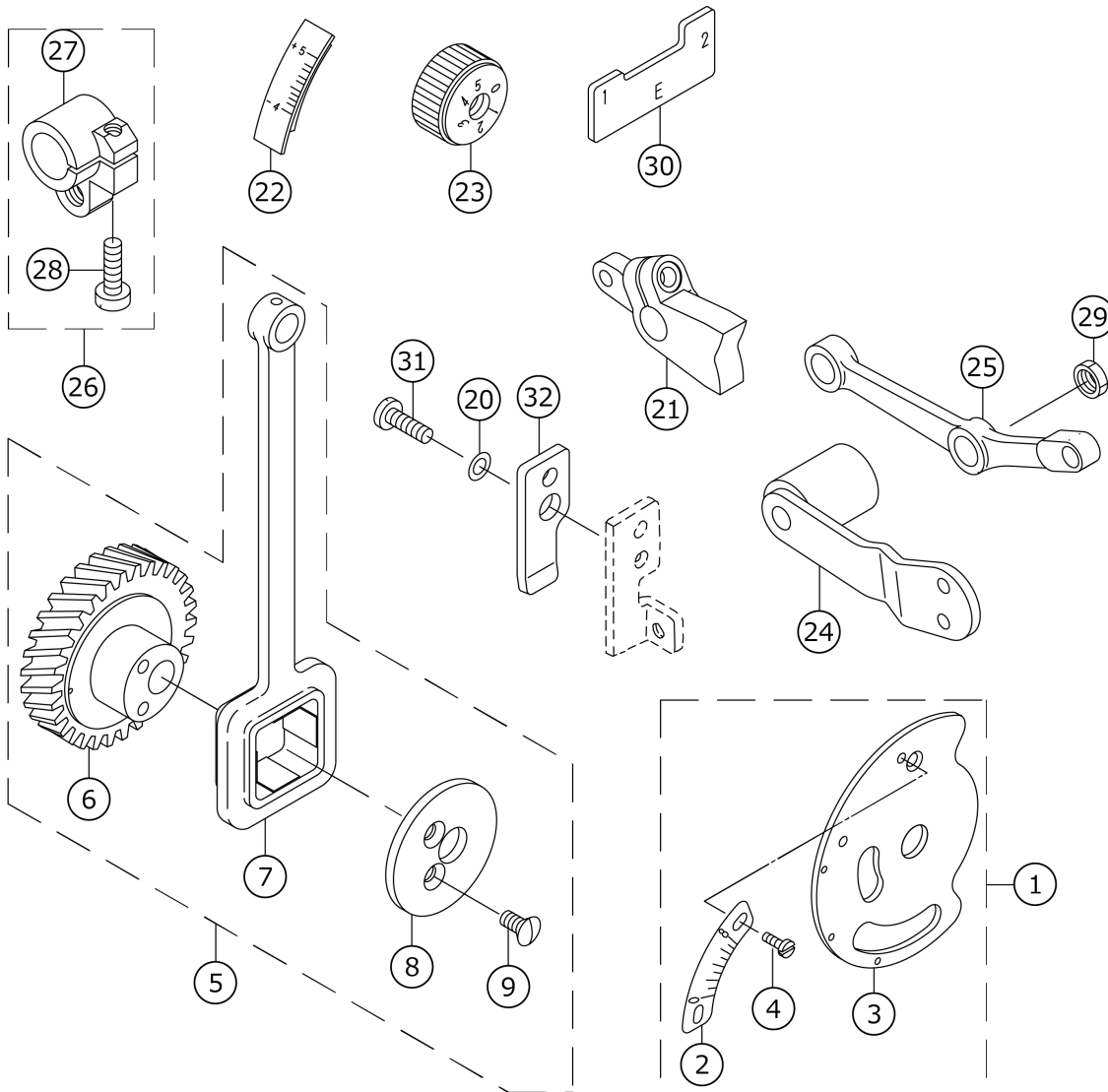
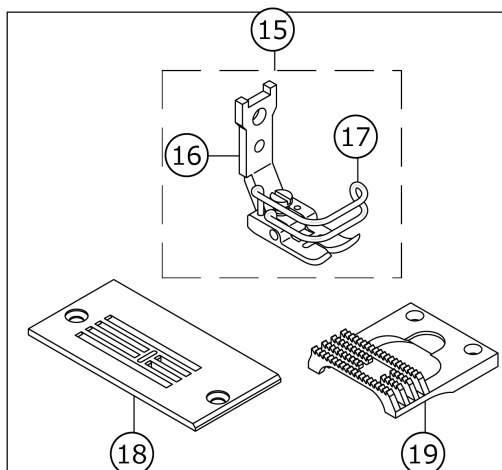
43	CS1031210SH	THRUST COLLAR ASM. D=10.32 W=12				1.00
44	NS6150430SP	NUT 15/64-28				1.00
45	SD0601051SP	HIGE SCREW D=6 H=10.5				1.00
46	WP0612066SP	WASHER 6.1X11X2				1.00
47	WP0612066SP	WASHER 6.1X11X2				1.00
48	NS6150430SP	NUT 15/64-28				1.00
49	WP0621016SH	WASHER				1.00
50	NM6060001SE	NUT M6				1.00
51	SS7111410SP	SCREW 11/64-40 L=14				3.00
52	CS1031210SH	THRUST COLLAR ASM. D=10.32 W=12				1.00
53	SS9661120CP	SCREW 1/4-40 L=10.5				3.00
54	SS9661120CP	SCREW 1/4-40 L=10.5				3.00
55	SS8660610TP	SCREW 1/4-40 L=6				4.00
56	SS8660610TP	SCREW 1/4-40 L=6				2.00
57	SS8660610TP	SCREW 1/4-40 L=6				2.00
58	10043461	WORM WHEEL ASM.				1.00
59	22590855	OIL SUPPLY PIPE ASM.				1.00
60	22590806	OIL SUPPLY PIPE		*		1.00
61	10035509	RUBBER JOINT		*		1.00
62	B3527552000	RUBBER JOINT		*		2.00
63	10065209	CAM OIL PIPE				1.00
64	B3554481000	HOLDER				1.00
65	SS4110915SP	SCREW 11/64-40 L=9				1.00
66	WP0501016SD	WASHER 5X10.5X1				1.00
67	SS6121210SP	SCREW 3/16-28 L=12				1.00
68	CQ500600000	OIL WICK				0.10
69	CQ303000000	OIL WICK				0.10
70	22593107	BELT COVER				1.00
71	SS4120615SP	SCREW 3/16-28 L=6				2.00
72	22536502	TIMING GAUGE E				1.00

# EXCLUSIVE PARTS FOR LZ-2281N

FOR LZ-2281NB  
LZ-2281NB用



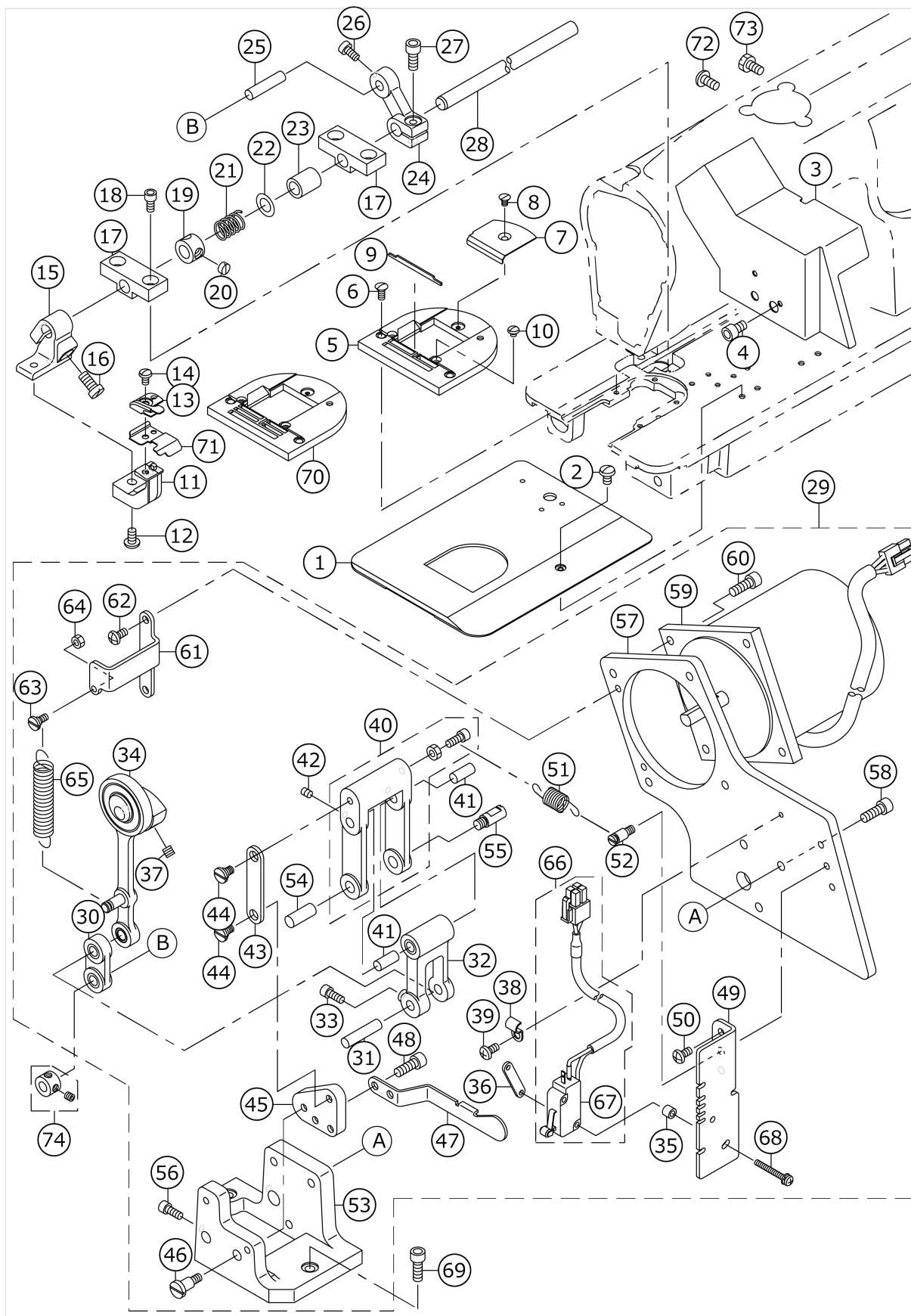
FOR LZ-2281NA  
LZ-2281NA用





No.	品番	品名	備考	子部品	消耗品	個数
1	22540769	SCALE PLATE ASM.				1.00
2	22540710	SCALE PLATE		*		1.00
3	26306951	SCALE MOUNTING BASE COMPL.		*		1.00
4	SS6080320SP	SCREW 1/8-44 L= 2.5		*		2.00
5	22542559	NEEDLE DRIVING CAM.				1.00
6	22542500	NEEDLE VIBRATING CAM		*		1.00
7	22510101	NEEDLE VIBRATING ROD		*		1.00
8	22510200	CAM COVER		*		1.00
9	SS2110920TP	SCREW 11/64-40 L=8.5		*		2.00
10	22580369	PRESSER FOOT ASM.	FOR LZ-2281NB			1.00
11	10045060	PRESSER FOOT ASM. A		*		1.00
12	22580302	SAFETY COVER		*		1.00
13	22582407	NEEDLE PLATE	FOR LZ-2281NB			1.00
14	22540009	FEED DOG	FOR LZ-2281NB			1.00
15	22548671	PRESSER ASM.	FOR LZ-2281NA			1.00
16	22546816	PRESSER UPPER		*		1.00
17	10021202	FINGER COVER		*		1.00
18	22548010	NEEDLE PLATE	FOR LZ-2281NA			1.00
19	22548119	FEED DOG	FOR LZ-2281NA			1.00
20	WP0480856SP	WASHER 4.8X8.4X0.8				1.00
21	22541106	FEED DRIVING ADJUSTER				1.00
22	22540207	SCALE PLATE				1.00
23	11071909	FEED DIAL				1.00
24	22540454	BALANCE WEIGHT COMPL.				1.00
25	40010276	HORIZONTAL FEED JUNCTION ROD				1.00
26	B16085550A0	FEED ROCKER SHAFT CRANK ASM.				1.00
27	B1608555000	FEED ROCKER SHAFT CRANK ARM		*		1.00
28	SS6121610TP	SCREW 3/16-28 L=15.5		*		1.00
29	NS6680320SP	NUT 9/32-28				1.00
30	22536502	TIMING GAUGE E				1.00
31	SS7111410TP	SCREW 11/64-40 L=14				1.00
32	22540108	PRESSING PLATE				1.00

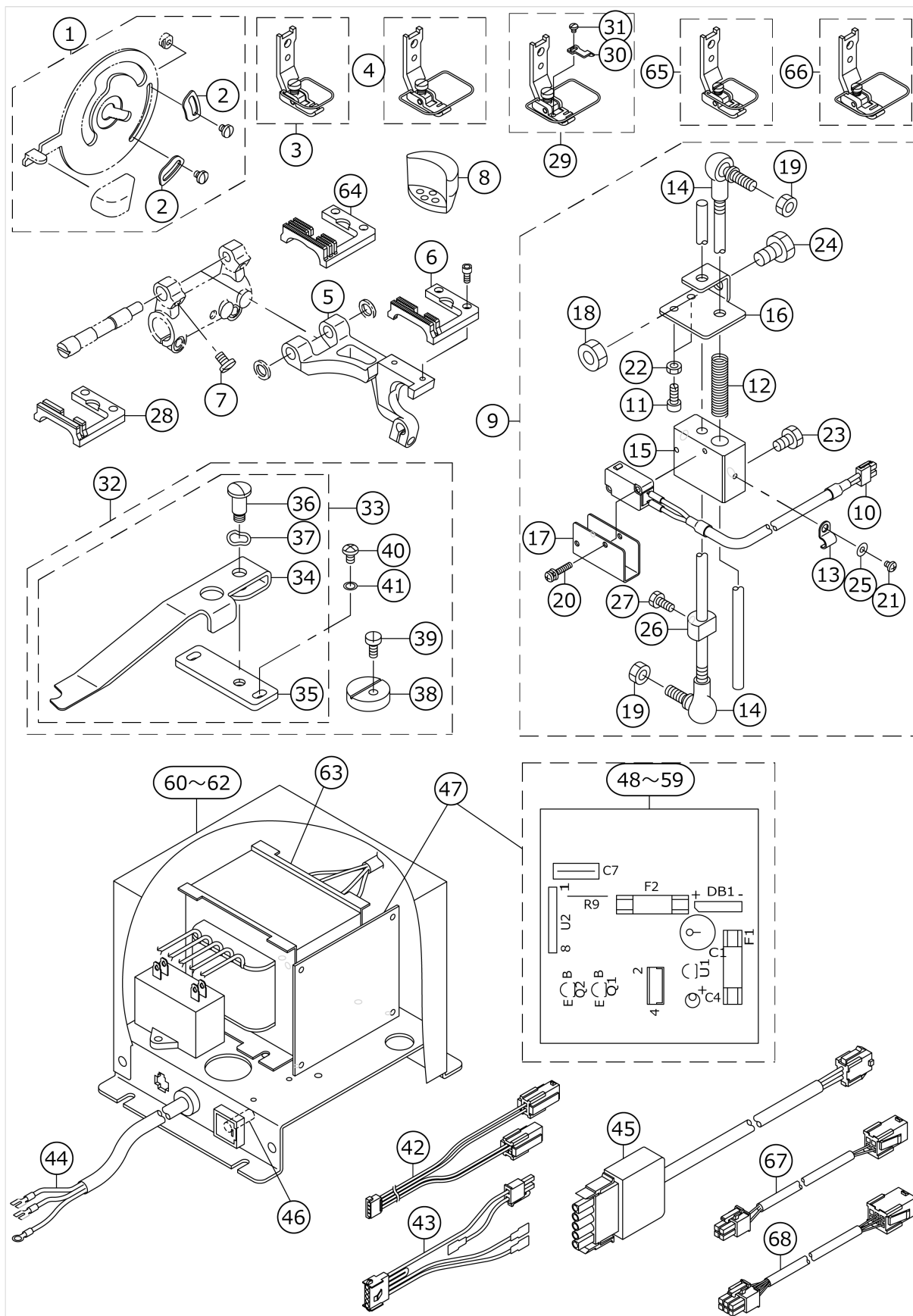
# EXCLUSIVE PARTS FOR LZ-2282N(-7) (1)



No.	品番	品名	備考	子部品	消耗品	個数
1	23509003	BED PLATE				1.00
2	SS5110740TP	SCREW 11/64-40 L= 6.5				1.00
3	23508906	KNIFE DRIVING DEVICE COVER				1.00
4	SM6050802TN	BOLT				2.00
5	23505829	THROAT PLATE				1.00
6	SS2090840SP	SCREW				2.00
7	23513401	THROAT PLATE COVER				1.00
8	SS1080510SP	SCREW 1/8-44 L=5				1.00
9	23506108	THROAT PLATE KNIFE				1.00
10	SS4080320TP	SCREW 1/8-44 L=3.4				2.00
11	23506314	KNIFE BASE				1.00
12	SS4110815SP	SCREW 11/64-40 L=8				2.00
13	23506009	CLOTH CUTTING KNIFE				1.00
14	SS5090610SP	SCREW 9/64-40 L=6				1.00
15	23506405	KNIFE BASE ARM				1.00
16	SS6122030SP	SCREW 3/16-28 L=20				1.00
17	23506603	KNIFE DRIVING SHAFT BASE				2.00
18	SM6040802TP	SCREW M4X0.7 L=8				4.00
19	CS0800911TH	THRUST COLLAR				1.00
20	SS8660340SP	SCREW 1/4-40 L= 2.5				1.00
21	23506702	KNIFE PRESS SPRING				1.00
22	WP0820526SD	WASHER 8.2X14X0.5				1.00
23	16965105	METAL				1.00
24	23506801	KNIFE DRIVING ARM				1.00
25	10565406	GEAR SHAFT				1.00
26	SM6040802TP	SCREW M4X0.7 L=8				1.00
27	SM6051202TP	SCREW M5X0.8 L=12				1.00
28	23506504	KNIFE DRIVING SHAFT				1.00
29	23508252	KNIFE DRIVING DEVICE ASM.				1.00
30	23507056	CONNECTING LINK A ASM.		*		1.00
31	10565406	GEAR SHAFT		*		1.00
32	23507155	CONNECTING LINK B ASM.		*		1.00
33	SM6041002TP	SCREW M4 L=10		*		1.00
34	23507262	KNIFE DRIVING ROT ASM.		*		1.00
35	B4011210000	SPACER		*		2.00
36	11102308	MICRO SWITCH PLATE		*		1.00
37	SM8050812TP	SCREW M5X8		*		2.00
38	B3538112000	OIL RETURN TUBE HOLDER		*		1.00
39	SM4030411SB	SCREW M3X0.5 L=4		*		1.00
40	23507551	KNIFE ADJUSTING LINK ASM.		*		1.00
41	11387503	LEVER ARM PIN		*		2.00
42	SM8040502TP	SCREW M4X0.7 L=5		*		2.00
43	23507700	ADJUSTING CONNECTING PLATE		*		1.00
44	SD0640231SP	HINGE SCREW D= 6.35 H= 2.3		*		2.00
45	23507809	LEVER BASE		*		1.00
46	SD0640851SP	STEP-SCREW		*		1.00
47	23507908	KNIFE ADJUSTING LEVER		*		1.00
48	SS4110815SP	SCREW 11/64-40 L=8		*		2.00
49	23508005	LEVER SCALE PLATE		*		1.00
50	SM4040855SP	SCREW		*		2.00

51	23508104	ADJUSTING LINK SPRING		*		1.00
52	40023289	SPRING SUSPENSION		*		1.00
53	23508203	KNIFE ADJUSTING BASE		*		1.00
54	11384302	PIN B		*		1.00
55	11008802	ADJUSTING LINK FULCRUM SHAFT A		*		1.00
56	SM6041002TP	SCREW M4 L=10		*		2.00
57	23508302	MOTOR SUPPORT PLATE		*		1.00
58	SM6051402TP	SCREW M5X0.8 L=14		*		3.00
59	23508450	AC MOTOR ASM.		*		1.00
60	SM6051402TP	SCREW M5X0.8 L=14		*		4.00
61	23508500	STOP SPRING RACK		*		1.00
62	SM4040855SP	SCREW		*		2.00
63	SD0500251SP	HINGE SCREW D= 5 H= 2.5		*		1.00
64	NS6090310SP	NUT 9/64-40		*		1.00
65	23508609	STOP SPRING		*		1.00
66	23508757	MOTOR SWITCH ASM.		*		1.00
67	HA00044000A	SWITCH		*		1.00
68	SL4032591SC	SCREW M3X25		*		2.00
69	SM6051402TP	SCREW M5X0.8 L=14				1.00
70	23512817	THROAT PLATE	FOR USE IN JAPAN			1.00
71	23513302	CLOTH WASTE COVER				1.00
72	SS4121015SP	SCREW 3/16-28 L=10				1.00
73	SS9120910TP	SCREW 3/16-28 L=9				1.00
74	B25792290A0	THRUST BEARING				1.00

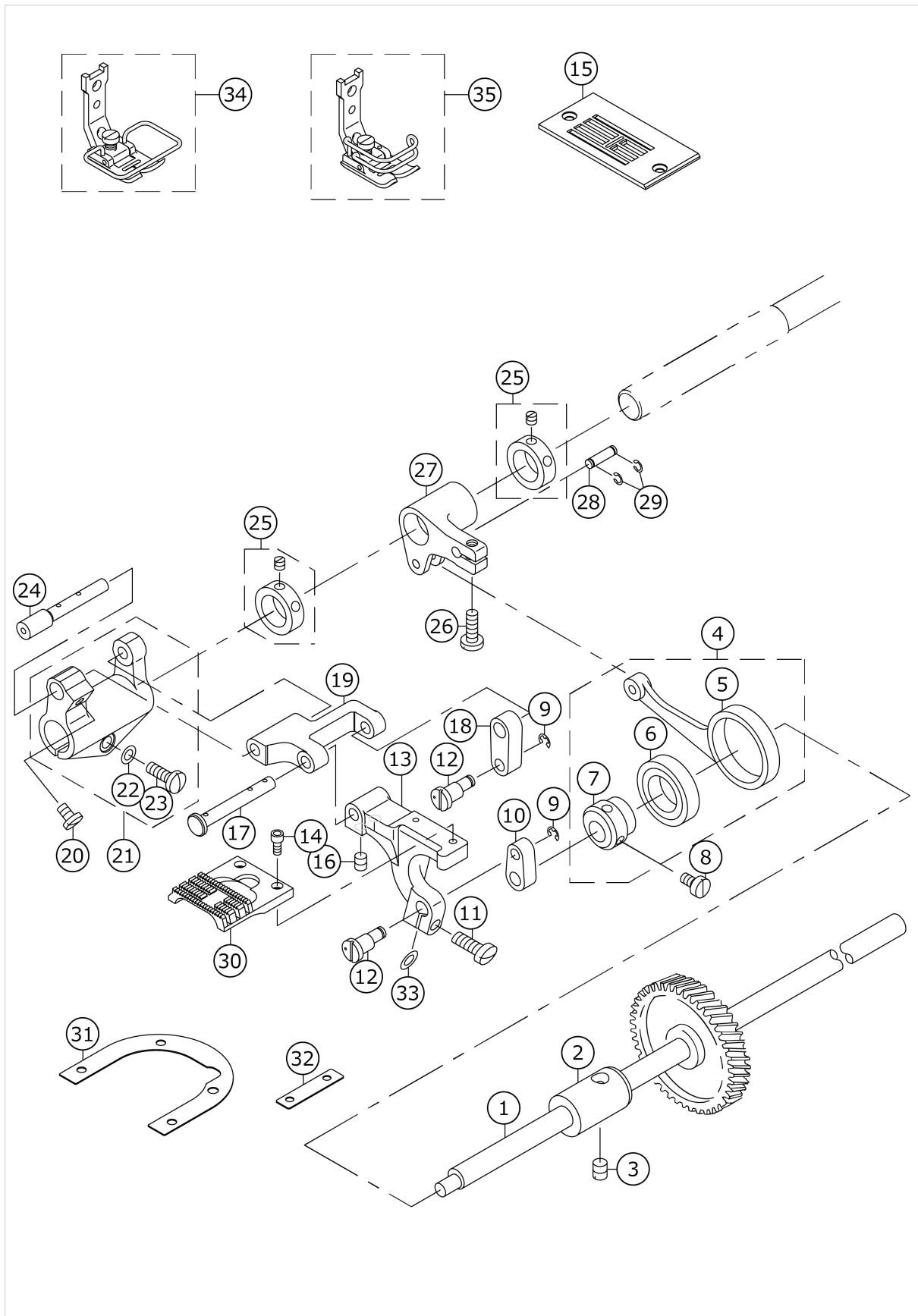
# EXCLUSIVE PARTS FOR LZ-2282N(-7) (2)



No.	品番	品名	備考	子部品	消耗品	個数
1	23505654	POSITION CHANGE LEVER ASM.				1.00
2	23505605	NEEDLE POSITION STOPPER		*		2.00
3	23509169	PRESSER ASM.	OPTIONAL PARTS (ACCESSORIES P ARTS FOR JE)			1.00
4	23509466	PRESSER ASM.				1.00
5	40057280	FEED BASE ASM.				1.00
6	23505910	FEED DOG	OPTIONAL PARTS (ACCESSORIES P ARTS FOR JE)			1.00
7	SS7120710SP	SCREW 3/16-28 L=7				2.00
8	23509706	HEAD SUPPORT RUBBER				2.00
9	23510050	STARTING SWITCH ASM.				1.00
10	23510159	SWITCH ASM.		*		1.00
11	B3208280000	BOBBIN WINDER ADJUSTING SCREW		*		2.00
12	23510308	SWITCH SPRING		*		1.00
13	B3538112000	OIL RETURN TUBE HOLDER		*		1.00
14	D7117555BA0	JOINT BAR A ASM.		*		2.00
15	23510407	SWITCH BASE		*		1.00
16	23510506	SWITCH PLATE		*		1.00
17	MAO11602N00	MICRO-SWITCH COVER		*		1.00
18	NM6080721SE	NUT M8		*		1.00
19	NM6060001SE	NUT M6		*		2.00
20	SL4031691SC	SCREW M3 L=16		*		2.00
21	SM4030411SB	SCREW M3X0.5 L=4		*		1.00
22	NS6110360SP	NUT		*		2.00
23	SM9061003SC	SCREW M6X10		*		1.00
24	SM9081423SE	SCREW M8 L=14		*		1.00
25	WP0330501SB	WASHER M3		*		1.00
26	26308809	STOPPER		*		1.00
27	SS9111013SP	SCREW 11/64-40 L=9.5		*		1.00
28	23512015	FEED DOG	FOR JE			1.00
29	23512569	PRESSER ASM.	FOR JE			1.00
30	23512601	LACE GUIDE		*		1.00
31	SS4060310SP	SCREW 3/32-56 L=2.5		*		1.00
32	23512163	SEPARATION PLATE ASM.	OPTIONAL PARTS (ACCESSORIES P ARTS FOR JE)			1.00
33	23512155	SEPARATION PLATE COMPL.		*		1.00
34	23512106	SEPARATION PLAT		*		1.00
35	23512205	SEPARATION PLAT BASE		*		1.00
36	SD0791331SP	HINGE SCREW D= 7.94 H=13.3		*		1.00
37	WZ0850302K0	WAVED WASHER 8.5X12.5X0.3		*		1.00
38	23512304	SEPARATION STOPPER		*		1.00
39	SS9111010SP	SCREW 11/64-40 L=9.5		*		1.00
40	SS4110715SP	SCREW 11/64-40 L=7		*		1.00
41	WP0510516SD	WASHER 5.1X7.5X0.5		*		1.00
42	M8504429AA0A	CORD A ASM.				1.00
43	M8502429AA0	CORD A ASM.				1.00
44	M8503429AA0	CORD A ASM.				1.00

45	M8505429AA0	CORD A ASM.				1.00
46	HF0078016P0	FUSE 250VT 1.6A				1.00
47	M8601429AA0A	CONTROL BASE A ASM.				1.00
48	HL017120000	PHOTO COUPLER		*		1.00
49	HG005640000	DIODE BRIGDE (S1VB20)		*		1.00
50	HL003880000	VOLTAGE REGULATOR (UPC78L05A)		*		1.00
51	HT002310000	TRANSISTOR 2SC1815		*		2.00
52	HR022301010	FIXED RESISTANCE		*		1.00
53	HC018201020	ALUMINUM ELECTROLYSIS		*		1.00
54	HC018204700	CAPACITOR 47 25V		*		1.00
55	HC055711040	CAPACITOR		*		1.00
56	HC036413320	CONDENSER		*		1.00
57	HF0041050S0	FUSE 0.5A		*		1.00
58	HF0041020P0	FUSE 2A		*		1.00
59	HK01650004A	CONNECTOR 4P		*		1.00
60	M2001429BA0	PSC BOX B ASM.	FOR 200V,3-PHASE			1.00
61	M2001429CA0	PSC BOX C ASM.	FOR 230V,3-PHASE			1.00
62	M2001429AA0	PSC BOX A ASM.	FOR 100V,1-PHASE			1.00
63	M8501429AA0	POWER SOURCE TRANSFORMER ASM.				1.00
64	23512908	FEED DOG	FOR USE IN JAPAN			1.00
65	23513062	PRESSER ASM.	FOR USE IN JAPAN			1.00
66	23513161	PRESSER ASM.	FOR USE IN JAPAN			1.00
67	40097876	SWITCH JOIN CORD B ASSY				1.00
68	40097877	MOTOR JOIN CORD B ASSY				1.00

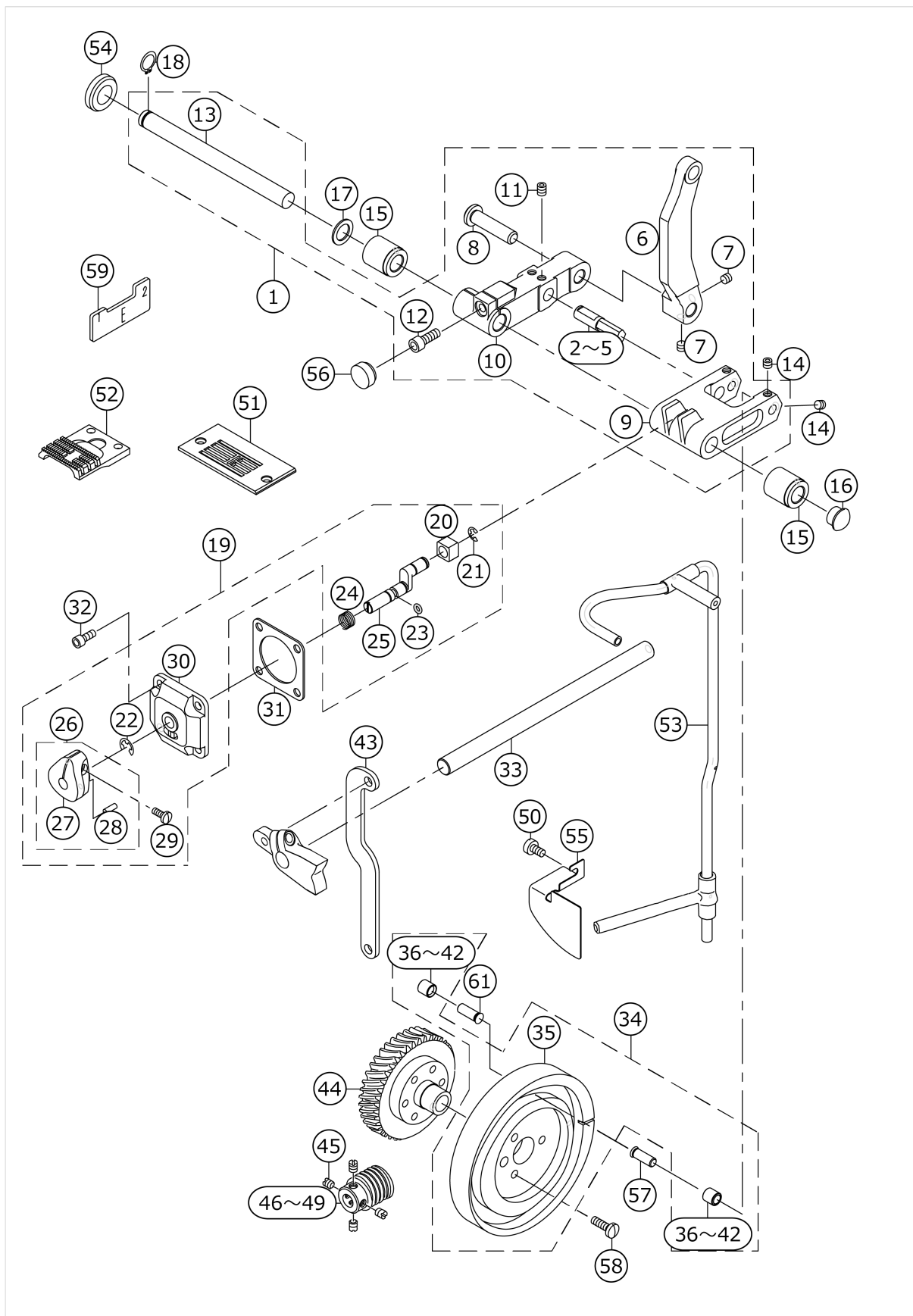
# EXCLUSIVE PARTS FOR LZ-2284NU(-7)





No.	品番	品名	備考	子部品	消耗品	個数
1	23502008	HOCK DRIVING SHAFT				1.00
2	23502107	BUSING FRONT				1.00
3	SS8150710SP	SCREW 15/64-28 L=7				1.00
4	23501356	VERTICAL FEED CAM ASM.				1.00
5	23501406	VERTICAL FEED ROD		*		1.00
6	SB117000100	BEARING		*		1.00
7	23501307	VERTICAL FEED CAM		*		1.00
8	SS6110820TP	SCREW 11/64-40 L=8				2.00
9	RE0300000K0	E-RING 3				2.00
10	22520001	LINK				1.00
11	SS7121410TP	SCREW 3/16-28 L=14				1.00
12	26303107	LINK SHAFT				2.00
13	23501901	FEED BASE				1.00
14	SS6580752TP	SCREW 1/8-40 L=7				2.00
15	22582407	NEEDLE PLATE				1.00
16	SM8050612TP	SCREW M5X6				2.00
17	23501802	FEED BAR SHAFT B				1.00
18	23501703	LINK B				1.00
19	23501604	FEED BASE LINK				1.00
20	SS7110740TP	SCREW 11/64-40 L=7				1.00
21	22913156	FEED ROCKER ASM.				1.00
22	WP0480856SP	WASHER 4.8X8.4X0.8		*		1.00
23	SS7121410TP	SCREW 3/16-28 L=14		*		1.00
24	22913206	FEED BAR SHAFT				1.00
25	CS1470710SH	THRUST COLLAR ASM. D=14.72 W=7				2.00
26	SS7121410TP	SCREW 3/16-28 L=14				1.00
27	23501513	VERTICAL FEED ARM				1.00
28	11214806	PIN				1.00
29	RC0330415KP	SNAP RING				2.00
30	22581508	FEED DOG				1.00
31	22503908	SPACER				1.00
32	10025906	SPACER				1.00
33	WP0500916SD	WASHER 5X7X0.9				1.00
34	23503154	PRESSER ASM.	VARIOUS NOS. F OR DESTINATION S			1.00
35	23503162	PRESSER ASM.	VARIOUS NOS. F OR DESTINATION S			1.00

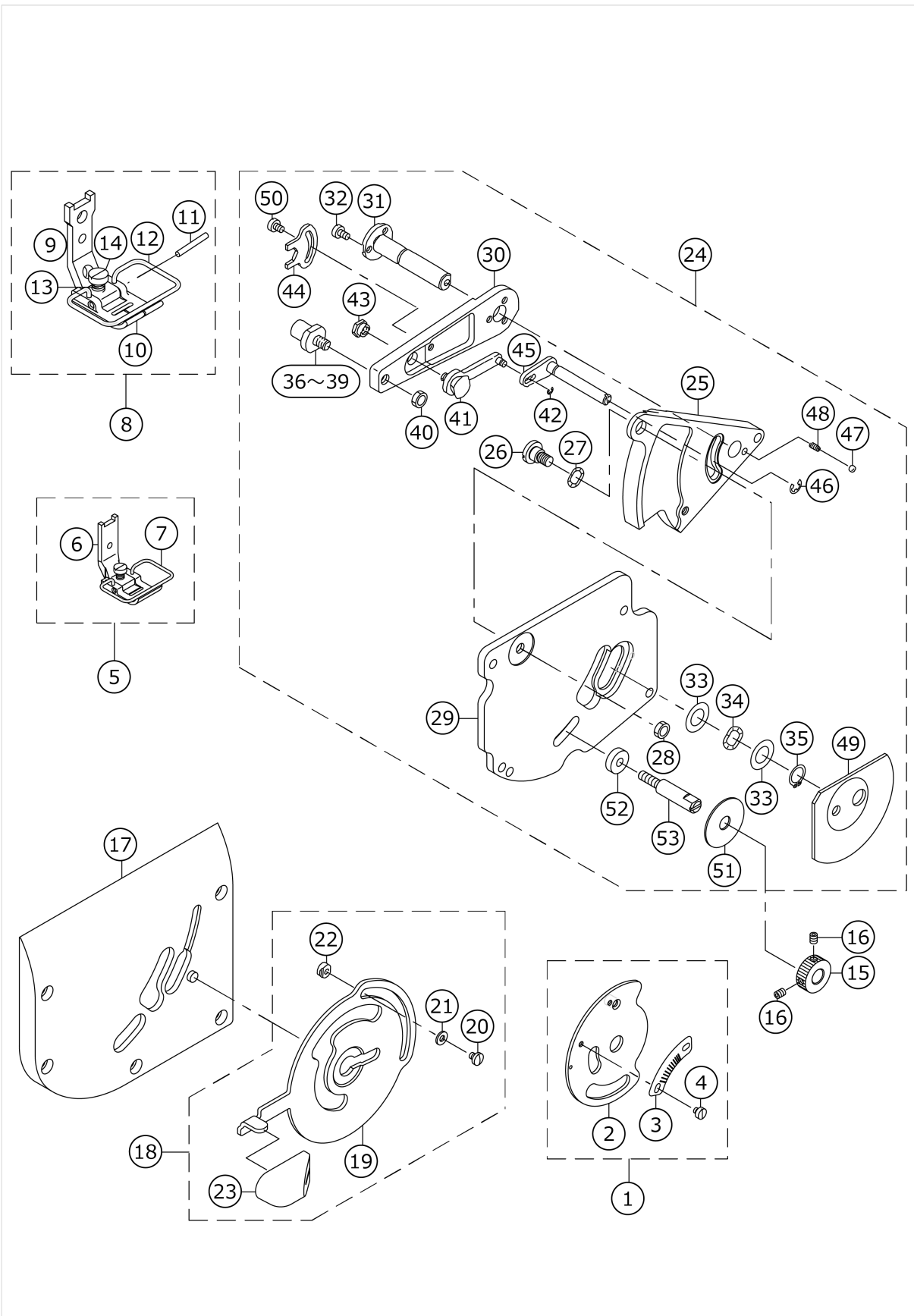
# EXCLUSIVE PARTS FOR LZ-2284N(-7),LZ-2284C-7 (1)



No.	品番	品名	備考	子部品	消耗品	個数
1	26312751	NEEDLE DRIVING ARM ASM.				1.00
2	26313007	DIA PIN A	SELECTIVE PARTS	*		1.00
3	26313106	DIA PIN B	SELECTIVE PARTS	*		1.00
4	26313205	DIA PIN C	SELECTIVE PARTS	*		1.00
5	26313304	DIA PIN D	SELECTIVE PARTS	*		1.00
6	26313502	NEEDLE DRIVING ROD		*		1.00
7	SM8050412TP	SCREW M5 L=4		*		2.00
8	26313403	NEEDLE DRIVING PIN A		*		1.00
9	26312900	NEEDLE CAM ARM		*		1.00
10	26312702	DRIVING ARM		*		1.00
11	SM8050612TP	SCREW M5X6		*		2.00
12	SM6051402TP	SCREW M5X0.8 L=14		*		1.00
13	26312801	NEEDLE DRIVING SHAFT		*		1.00
14	SM8050412TP	SCREW M5 L=4				4.00
15	12308300	METAL FRONT				2.00
16	TA1100604R0	PLUG				1.00
17	B1637560000	WASHER				1.00
18	RC0100001KP	SNAP RING M10				1.00
19	40078331	CHANGE OVER BASIS ASM.				1.00
20	40078335	CHANGE OVER BLOCK		*		1.00
21	RE0400000K0	E-RING 4		*		1.00
22	RE0400000K0	E-RING 4		*		1.00
23	RO029180100	RUBBER RING		*		1.00
24	26314104	SPRING		*		1.00
25	40078336	CHANGE OVER SLIDE SHAFT		*		1.00
26	40078333	CHANGE OVER LEVER ASM.		*		1.00
27	40078334	CHANGE OVER LEVER		*		1.00
28	PH0300085S0	PIN		*		1.00
29	SS7090910TP	SCREW 9/64-40 L= 8.5		*		1.00
30	40078332	CHANGE OVER BASIS		*		1.00
31	22501704	GASKET				1.00
32	SS6111052TP	SCREW				4.00
33	26312405	FEED LEVER SHAFT				1.00
34	40083221	NEEDLE CAM ASM.				1.00
35	23518822	NEEDLE CAM		*		1.00
36	40064313	NEEDLE CAM ROLLER A	SELECTIVE PARTS	*		2.00
37	40064314	NEEDLE CAM ROLLER B	SELECTIVE PARTS	*		2.00
38	40064315	NEEDLE CAM ROLLER C	SELECTIVE PARTS	*		2.00
39	40064316	NEEDLE CAM ROLLER D	SELECTIVE PARTS	*		2.00
40	40064317	NEEDLE CAM ROLLER E	SELECTIVE PARTS	*		2.00
41	40064319	NEEDLE CAM ROLLER F	SELECTIVE PARTS	*		2.00

42	40064320	NEEDLE CAM ROLLER G	SELECTIVE PARTS	*		2.00
43	26314401	FEED CHANGE LINK A				1.00
44	22585657	WORM WHEEL COMPL.				1.00
45	SS8660610TP	SCREW 1/4-40 L=6				4.00
46	22527006	WORM A				1.00
47	22527105	WORM B				1.00
48	22527204	WORM C				1.00
49	22527303	WORM D				1.00
50	SS6110810TP	SCREW 11/64-40 L=8				1.00
51	22582407	NEEDLE PLATE				1.00
52	22581508	FEED DOG				1.00
53	40073481	OIL SUPPY PIPE ASM.				1.00
54	TA2200502R0	RUBBER PLUG				1.00
55	23519804	OIL SHIELD				1.00
56	TA1470702R0	RUBBER PLUG				1.00
57	26313700	NEEDLE CAM ROLLER SHAFT				2.00
58	SS7111410TP	SCREW 11/64-40 L=14				3.00
59	22536502	TIMING GAUGE E				1.00

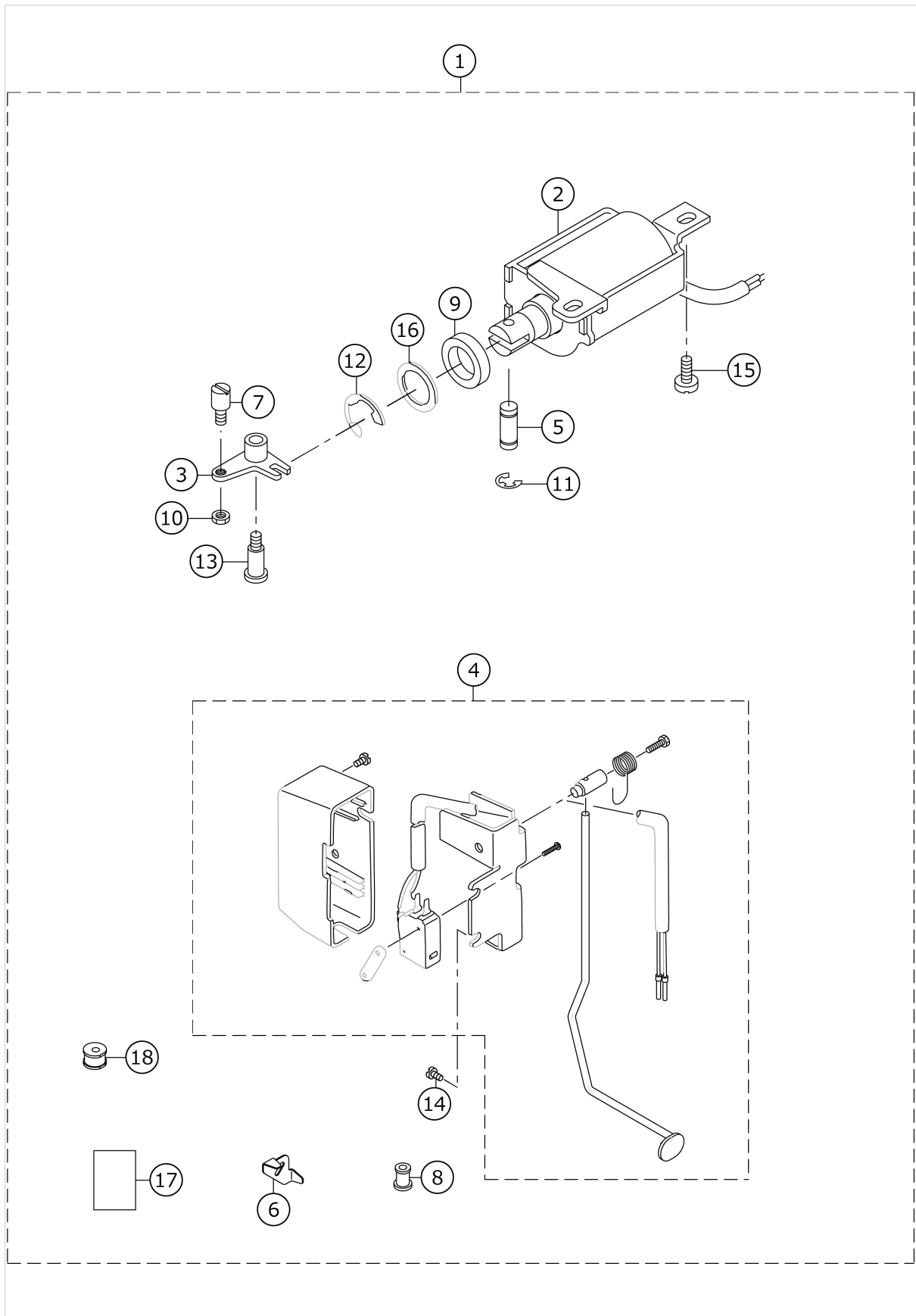
# EXCLUSIVE PARTS FOR LZ-2284N(-7),LZ-2284C-7 (2)



No.	品番	品名	備考	子部品	消耗品	個数
1	23521263	SWING WIDE GRADUATION ASM.				1.00
2	23521255	FITTING PLATE COMPL.		*		1.00
3	22586226	SWING WIDE GRADUATION		*		1.00
4	SS6080320SP	SCREW 1/8-44 L= 2.5		*		2.00
5	22580864	PRESSER ASM.				1.00
6	10055051	PRESSER FOOT ASM.		*		1.00
7	22580302	SAFETY COVER		*		1.00
8	22584965	PRESSER FOOT ASM.				1.00
9	22545206	PRESSER FOOT (UPPER)		*		1.00
10	22584908	PRESSER FOOT (LOWER)		*		1.00
11	10021103	PRESSER PIN		*		1.00
12	22545404	SAFETY COVER		*		1.00
13	B1525582000	SPRING		*		1.00
14	SS6090810SP	SCREW 9/64-40 L= 7.5		*		1.00
15	23521404	ADJUSTING PICK-UP				1.00
16	SM8040502TP	SCREW M4X0.7 L=5				2.00
17	22568356	SIDE COVER ASM.				1.00
18	22573257	CHANGING LEVER ASM.				1.00
19	22573208	NEEDLE POSITION CHANGE LEVER		*		1.00
20	SS7090410SP	SCREW 9/64-40 L= 3.5		*		2.00
21	WP0371016SD	WASHER 3.7X8X1		*		2.00
22	10015907	LEVER STOPPER		*		2.00
23	22512602	KNOB		*		1.00
24	23521057	CHANGE BASE ASM.				1.00
25	26319004	NEEDLE POSITION CHANGE BASE		*		1.00
26	SD0800402TP	HINGE SCREW D= 8 H= 4		*		1.00
27	WZ0850302K0	WAVED WASHER 8.5X12.5X0.3		*		3.00
28	NS6150310SP	NUT 15/64-28		*		1.00
29	23521107	CHANGE BASE FITTING PLATE		*		1.00
30	26301507	ARM		*		1.00
31	26307306	SHAFT		*		1.00
32	SS6090620SP	SCREW 9/64-40 L=6		*		3.00
33	WP1020616SD	WASHER		*		2.00
34	WZ1052010KP	WAVED WASHER		*		1.00
35	RC0100001KP	SNAP RING M10		*		1.00
36	10016517	SHAFT	SELECTIVE PARTS	*		1.00
37	10016210	SHAFT	SELECTIVE PARTS	*		1.00
38	10016319	SHAFT	SELECTIVE PARTS	*		1.00
39	10016418	SHAFT	SELECTIVE PARTS	*		1.00
40	NS6150310SP	NUT 15/64-28		*		1.00
41	10017168	STOPPER ASM.		*		1.00
42	RE0200000K0	E-RING		*		1.00
43	10018000	NUT		*		1.00
44	10018109	NUT STOPPER		*		1.00
45	10015360	LEVER ASM.		*		1.00
46	RE0400000K0	E-RING 4		*		1.00

47	B2608761000	HAND STOP CRANK SHAFT BALL		*		1.00
48	10017408	SPRING		*		1.00
49	10017606	OIL SHIELD		*		1.00
50	SS6090520SP	SCREW 9/64-40 L= 5.0		*		1.00
51	22573505	PACKING		*		1.00
52	B1430761000	ROLLER		*		1.00
53	23521305	ADJUSTING PICK-UP SCREW		*		1.00

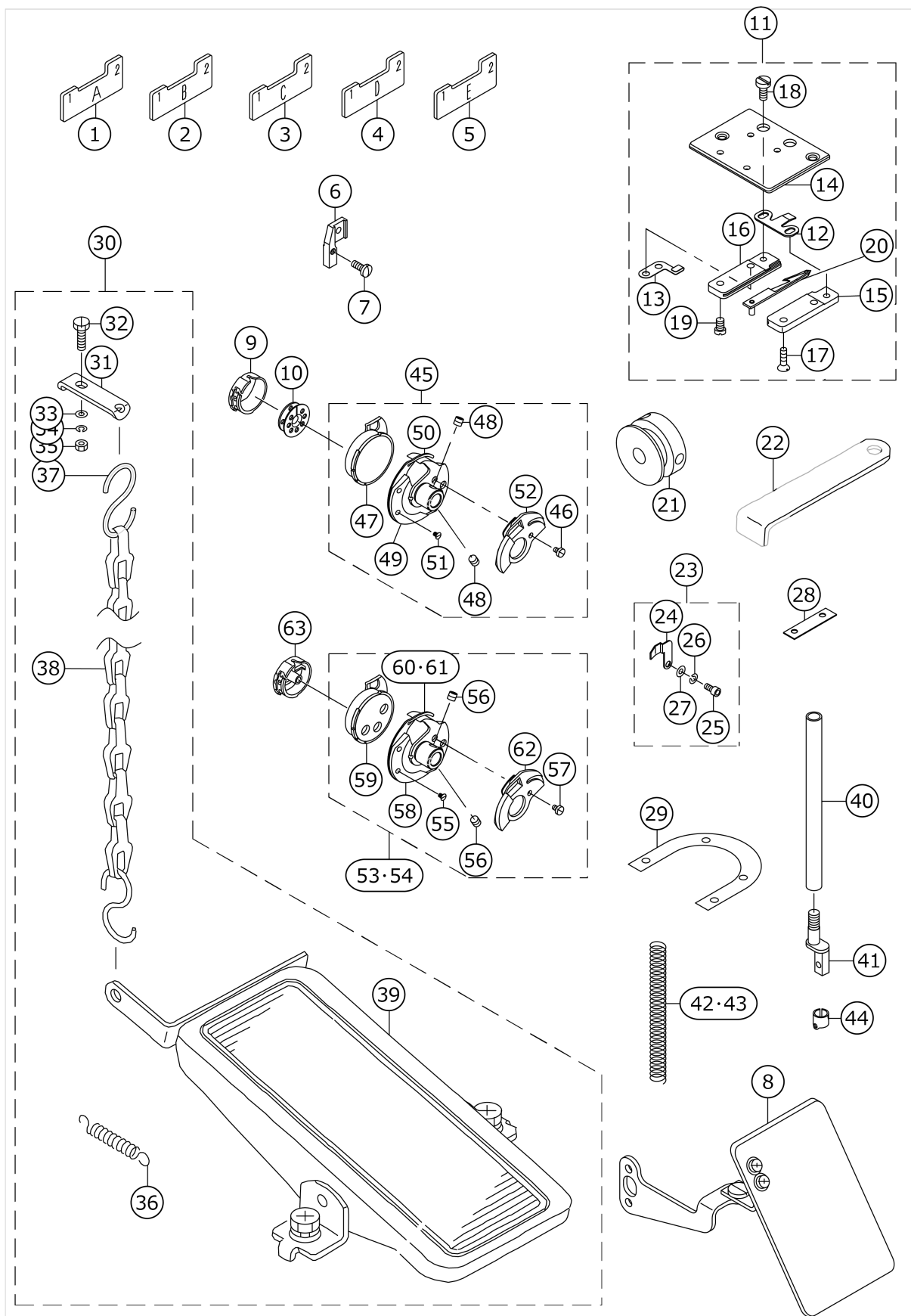
# SPECIAL ORDER PARTS (1)





No.	品番	品名	備考	子部品	消耗品	個数
1	22561559	AUTOMATIC BACK MACHINE				1.00
2	40108060	REVERSE FEED SOLENOID ASM.		*		1.00
3	22544159	REVERSE FEED MAGNET LINK		*		1.00
4	22559850	REVERSE FEED SWITCH		*		1.00
5	11101003	PLUNGER ARM PIN		*		1.00
6	11102605	CORD HOLDER		*		1.00
7	B1213372000	SCREW		*		1.00
8	D2467555B00	RUBBER PLUG		*		2.00
9	D2468555B00	RUBBER PLUNGER		*		1.00
10	NS6150310SP	NUT 15/64-28		*		1.00
11	RE0400000K0	E-RING 4		*		2.00
12	RE1200000K0	E-RING 12		*		1.00
13	SD0791503SP	HINGE SCREW D=7.94 H=15		*		1.00
14	SS4120615SP	SCREW 3/16-28 L=6		*		2.00
15	SS4150915SP	SCREW 15/64-28 L=9		*		2.00
16	WP1602616SZ	WASHER 16X24X2.6		*		1.00
17	29141900	INSTRUCTION MANUAL		*		1.00
18	11030202	RUBBER BUSHING		*		1.00

# SPECIAL ORDER PARTS (2)



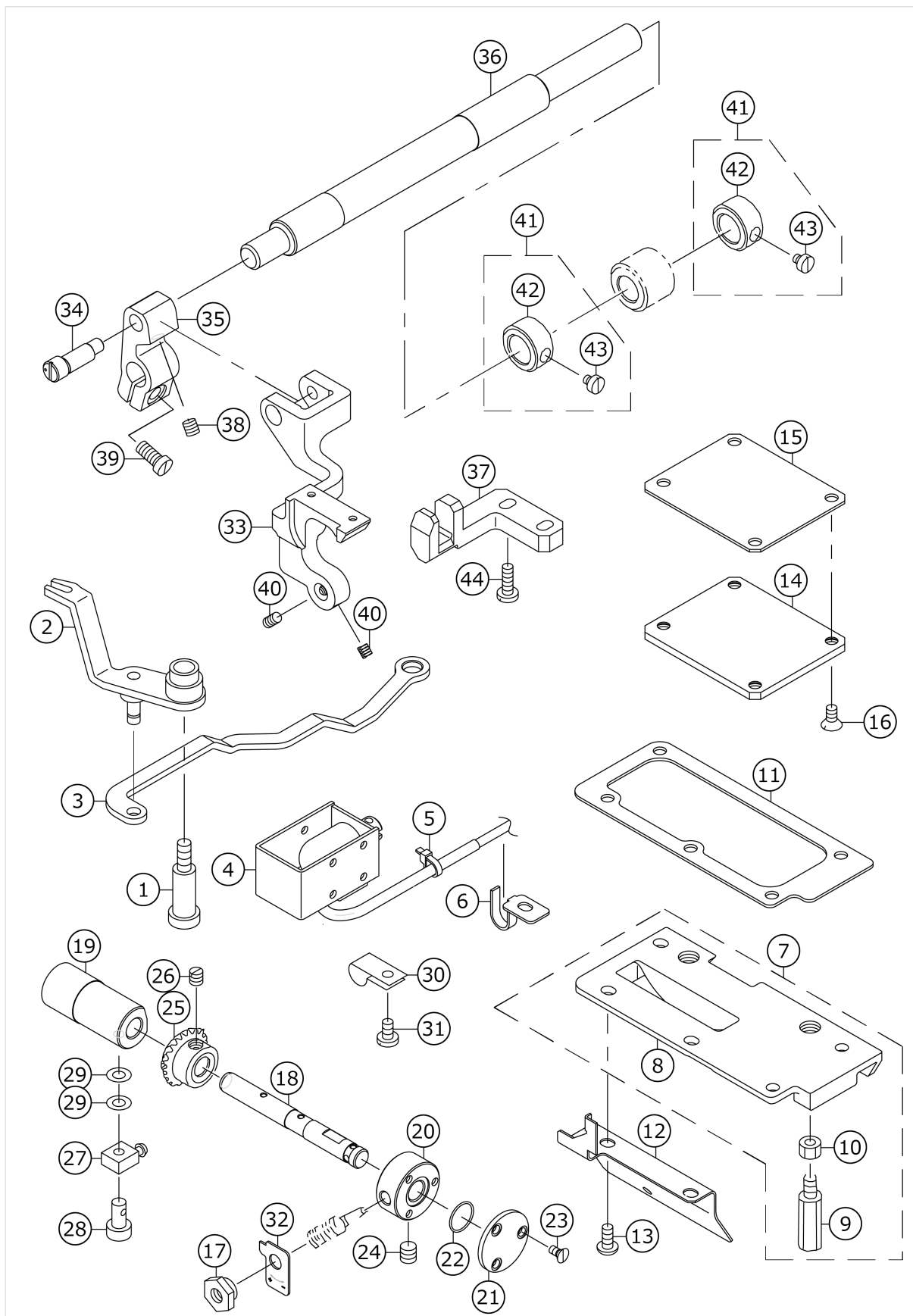
No.	品番	品名	備考	子部品	消耗品	個数
1	22535801	TIMING GAUGE				1.00
2	22586705	TIMING GAUGE				1.00
3	22535900	TIMING GAUGE RIGHT				1.00
4	22536403	TIMING GAUG D				1.00
5	22536502	TIMING GAUGE E				1.00
6	B1551586000	PRESSER FOOT JOINT				1.00
7	SS7090910SP	SCREW 9/64-40 L= 8.5				1.00
8	22503353	SAFETY PLATE ASM.				1.00
9	23522550	NOT TURN BOBBIN CASE ASM.				1.00
10	23523004	NOT TURN BOBBIN				1.00
11	22556054	KNIFE UNIT				1.00
12	22556302	FIXED KNIFE		*		1.00
13	22556450	CLAMP PLATE ASM.		*		1.00
14	22556609	SLIDING PLATE		*		1.00
15	22556708	DRIVING BASE		*		1.00
16	22556807	DRIVING BASE		*		1.00
17	SS1090510SP	SCREW 9/64-40 L=5		*		2.00
18	SS6090420SP	SCREW 9/64-40 L= 4.0		*		2.00
19	SS7090710SP	SCREW 9/64-40 L= 6.8		*		2.00
20	22556153	DRIVING KNIFE ASM.		*		1.00
21	22555403	THREAD CUTTING CAM				1.00
22	B9101490000	DRIVER				1.00
23	22525455	NEEDLE HOLDER ASM.				1.00
24	22525406	NEEDLE GUARD		*		1.00
25	SM6030602TP	SCREW M3X0.5 L=6		*		1.00
26	WS0310702KS	SPRING WASHER		*		1.00
27	WP0320500SC	WASHER M3		*		2.00
28	10025906	SPACER				1.00
29	22503908	SPACER				1.00
30	GRF010000B0	RF-1 BACK STITCH DEVICE ASM.				1.00
31	GRF01001000	PLATE		*		1.00
32	SS9111510SP	SCREW 11/64-40 L=15		*		1.00
33	WP0501016SD	WASHER 5X10.5X1		*		1.00
34	WS0441040KP	SPRING WASHER 4.4X7.4X1		*		1.00
35	NS6110420SP	NUT 11/64-40		*		1.00
36	MAT80117S00	SPRING		*		1.00
37	B8133019000	S SHAPED HOOK		*		2.00
38	B8131019000	CHAIN		*		1.00
39	11960853	PEDAL ASM.		*		1.00
40	D1501583H00	PRESSER BAR				1.00
41	D1502583H00	PRESSER BAR				1.00
42	B150522700A	PRESSER SPRING /n				1.00
43	11162104	PRESSER SPRING /n				1.00
44	22507701	THRED RACK RIGHT				1.00
45	23523152	NOT TURN BOBBIN HOOK COMPL. V				1.00
46	10033108	HOOK COUNTER BALANCE SCREW		*		1.00
47	22526008	INNER HOOK V		*		1.00
48	SS8110422TP	SCREW 11/64-40 L=4		*		2.00
49	22525919	OUTER HOOK V		*		1.00
50	23503501	INNER HOOK PRESSER V-S		*		1.00

51	10033009	HOOK GIB SCREW		*		2.00
52	23523202	NOT TURN BOBBIN INNER HOOK V		*		1.00
53	23503659	HOOK COMPL. S	FOR INNER HOOK S			1.00
54	23502958	HOOK CONNECTION K	FOR INNER HOOK K			1.00
55	23504103	INNER HOOK PRESSER SETSCREW S		*		3.00
56	23504301	OUTER HOOK SETSCREW S		*		2.00
57	23504400	HOOK COUNTER BALANCE SCREW S		*		1.00
58	23503709	OUTER HOOK S		*		1.00
59	23503808	INNER HOOK S		*		1.00
60	23503907	INNER HOOK PRESSER S	FOR INNER HOOK S	*		1.00
61	23503006	INNER HOOK PRESSER K	FOR INNER HOOK K	*		1.00
62	23504004	BACK PLATE S		*		1.00
63	23504657	BOBBIN CASE WITH SPRING				1.00



No.	品番	品名	備考	子部品	消耗品	個数
1	40005484	NEEDLE PLATE SUPPORT				1.00
2	40005485	OIL RETURN FELT				1.00
3	SS6120940SP	SCREW 3/16-28 L=9				2.00
4	40005505	INNER HOOK STOPPER				1.00
5	40005487	HOOK COVER				1.00
6	40005488	HOOK COVER GUIDE				2.00
7	40005489	HOOK COVER SPRING				1.00
8	40005490	HOOK COVER GUIDE PIN				4.00
9	40005491	HOOK COVER BUTTON				1.00
10	40005493	HOOK COVER STOPPER				1.00
11	40005494	OIL SHIELD PLATE				1.00
12	NM6040003SC	NUT M4				1.00
13	B8226WP1000	FRAME RUBBER CUSHION				4.00
14	SM5040655SN	SCREW				1.00
15	SS6110610TP	SCREW 11/64-40 L=6				1.00
16	SS1110640TP	SCREW 11/64-40 L= 5.5				4.00
17	SL4040681SC	COMBINATION SCREW M4 X 8				1.00
18	WP0430801SC	WASHER 4.3X9X0.8				1.00
19	TA1450302R0	RUBBER PLUG				1.00
20	B3541012000	OIL WICK				0.25
21	22963409	THREAD TENSION SPRING				1.00
22	RE0200000K0	E-RING				1.00
23	SD0550212TP	HINGE SCREW D=5.5 H=2.1				1.00
24	WP0450846SP	WASHER				1.00
25	B2561205000A	SCREW				1.00
26	NS6110310SP	NUT 11/64-40				1.00
27	B1536804000	PIN				1.00
28	40005517	HOOK COVER GUIDE STOPPER ASM.	ACCESSORIE PART			1.00
29	40005492	HOOK COVER GUIDE STOPPER		*		1.00
30	40005516	TENSION SPRING		*		1.00
31	SD0460182SP	HINGE SCREW D= 4.6 H= 1.8		*		1.00
32	WP0360516SD	WASHER M3		*		1.00
33	SS2110920TP	SCREW 11/64-40 L=8.5				2.00
34	SS8110520TP	SCREW 11/64-40 L= 4.5	ACCESSORIE PART			1.00
35	22907406	PRESSER SPRING				1.00
36	TA2101002R0	RUBBER PLUG				1.00
37	TA1250804R0	RUBBER PLUG				1.00

# EXCLUSIVE PARTS FOR LZ-2284C-7 (2)

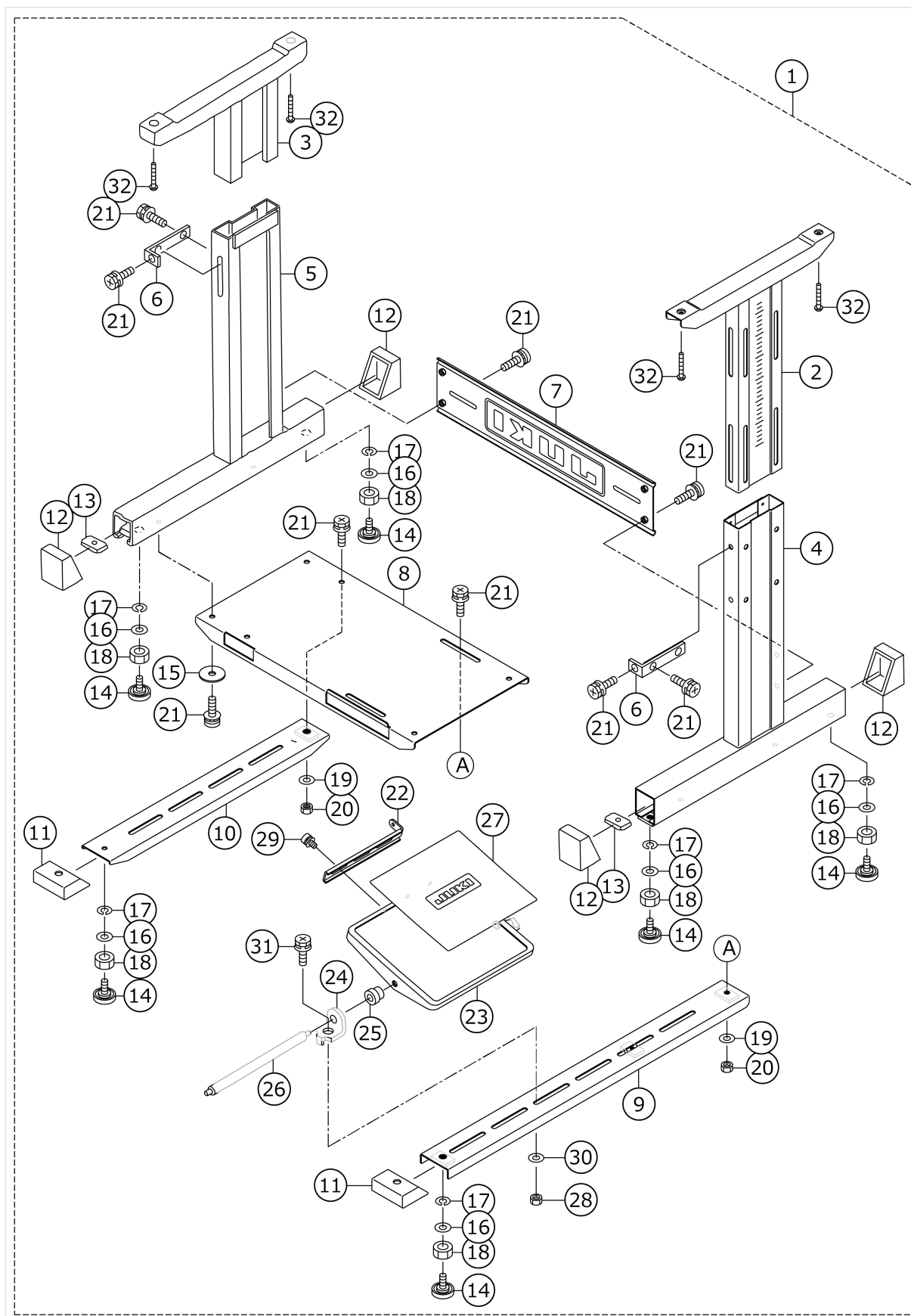


No.	品番	品名	備考	子部品	消耗品	個数
1	SD0791501SP	HINGE SCREW D= 7.94 H=15.0				1.00
2	40005508	KNIFE BRANCH ASM.				1.00
3	40005507	MOVING KNIFE LINK				1.00
4	40106079	THREAD_TRIMMER_SOLENOID				1.00
5	EA9500B0100	CABLE BAND				1.00
6	B3523980000	OIL WICK PIPE STOPPER	VARIOUS NOS. F OR DESTINATION S			1.00
7	40005477	DRIVING GEAR BOX COVER ASM.				1.00
8	40005478	DRIVING GEAR BOX COVER		*		1.00
9	10100410	BED SCREW STUD		*		2.00
10	NS6700420SP	NUT 5/16-24		*		2.00
11	40005480	DRIVING GEAR BOX COVER PACKING				1.00
12	40005481	OIL SHIELD PLATE				1.00
13	SS4110915SP	SCREW 11/64-40 L=9				5.00
14	40005482	BEVEL GEAR BOX COVER				1.00
15	40005483	BEVEL GEAR BOX COVER PACKING				1.00
16	SS1110840SP	SCREW 11/64-40 L=8				4.00
17	13521000	NUT				1.00
18	40043054	HOOK SHAFT				1.00
19	40043055	HOOK SHAFT BUSHING				1.00
20	40005503	HOOK SHAFT METAL (B)				1.00
21	40005504	HOOK SHAFT METAL (B) COVER				1.00
22	RO110090100	RUBBER RING				1.00
23	SS1080620SP	SCREW 1/8-44 L=6				3.00
24	SM8060602TP	SCREW M6X6				1.00
25	40005506	HOOK DRIVING BEVEL GEAR (B)				1.00
26	SM8050500SP	SCREW				2.00
27	SQ0000401MZ	CONNECTING SCREW				1.00
28	B3525357000	CONNECTING SCREW (B)				1.00
29	B3534012000	GASKET				2.00
30	B3536122000	HOLDER				1.00
31	SS7110710SP	SCREW 11/64-40 L=7				1.00
32	40005515	INDICATION PLATE				1.00
33	40005496	FEED BASE				1.00
34	40005497	FEED BASE SHAFT				1.00
35	40005498	FEED BASE ARM				1.00
36	40005499	HORIZONTAL FEED SHAFT				1.00
37	40005500	FEED BASE GUIDE				1.00
38	SM8050610TP	SCREW M5 L=6				1.00
39	SM6051200TP	SCREW M5 L=12				1.00
40	SM8040510TP	SCREW M4 L=5				2.00
41	CS1111010SH	THRUST COLLAR ASM. D=11.11 W=10				2.00
42	CS1111019SH	THRUST COLLAR D=11.11 W=10		*		2.00
43	SS6660710TP	SCREW 1/4-40 L=7		*		2.00
44	SS7111120TP	SCREW				2.00



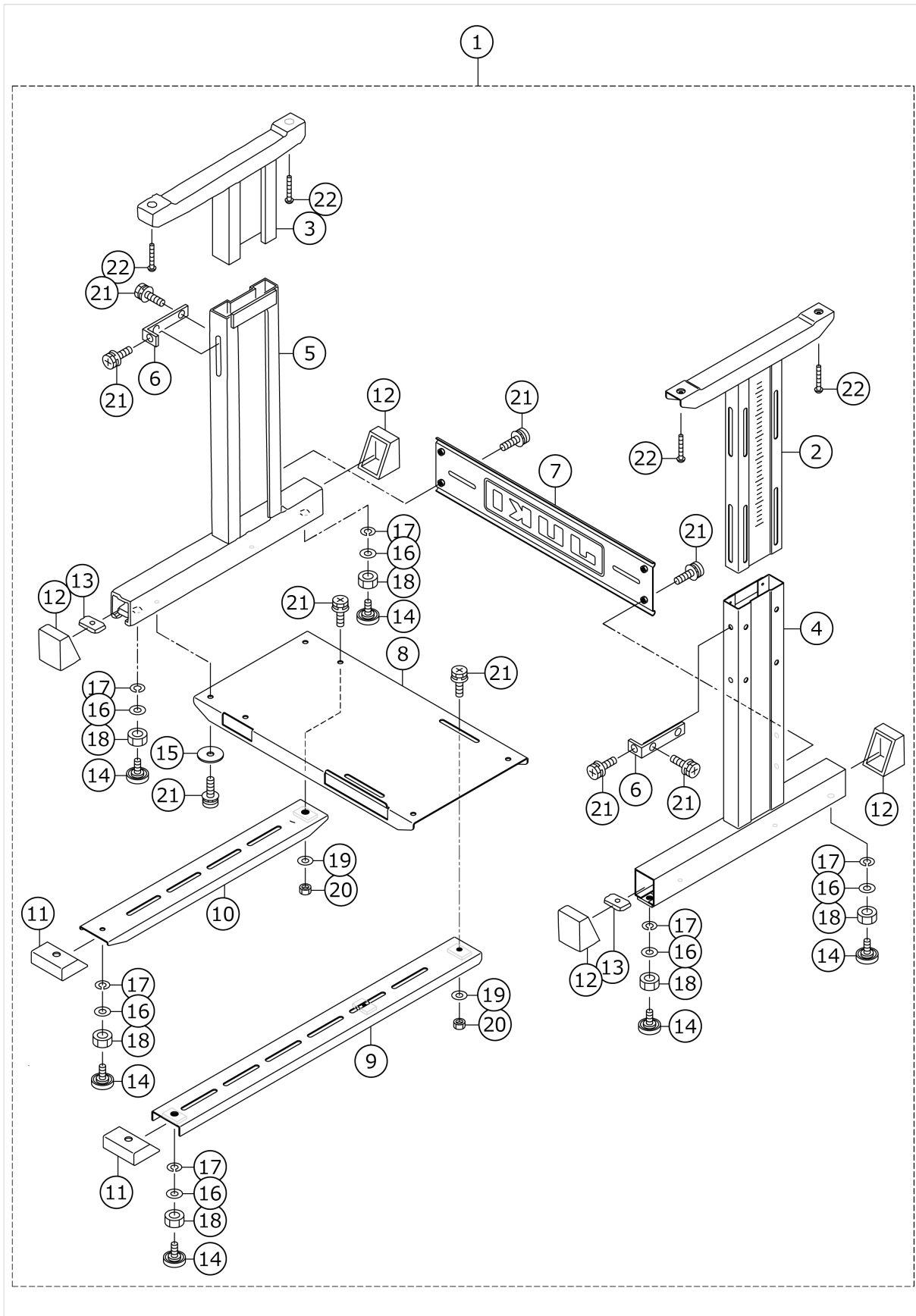
# EXCLUSIVE PARTS FOR LZ-2284C-7 (3) (TABLE COMPONENTS/JT-Z710

)



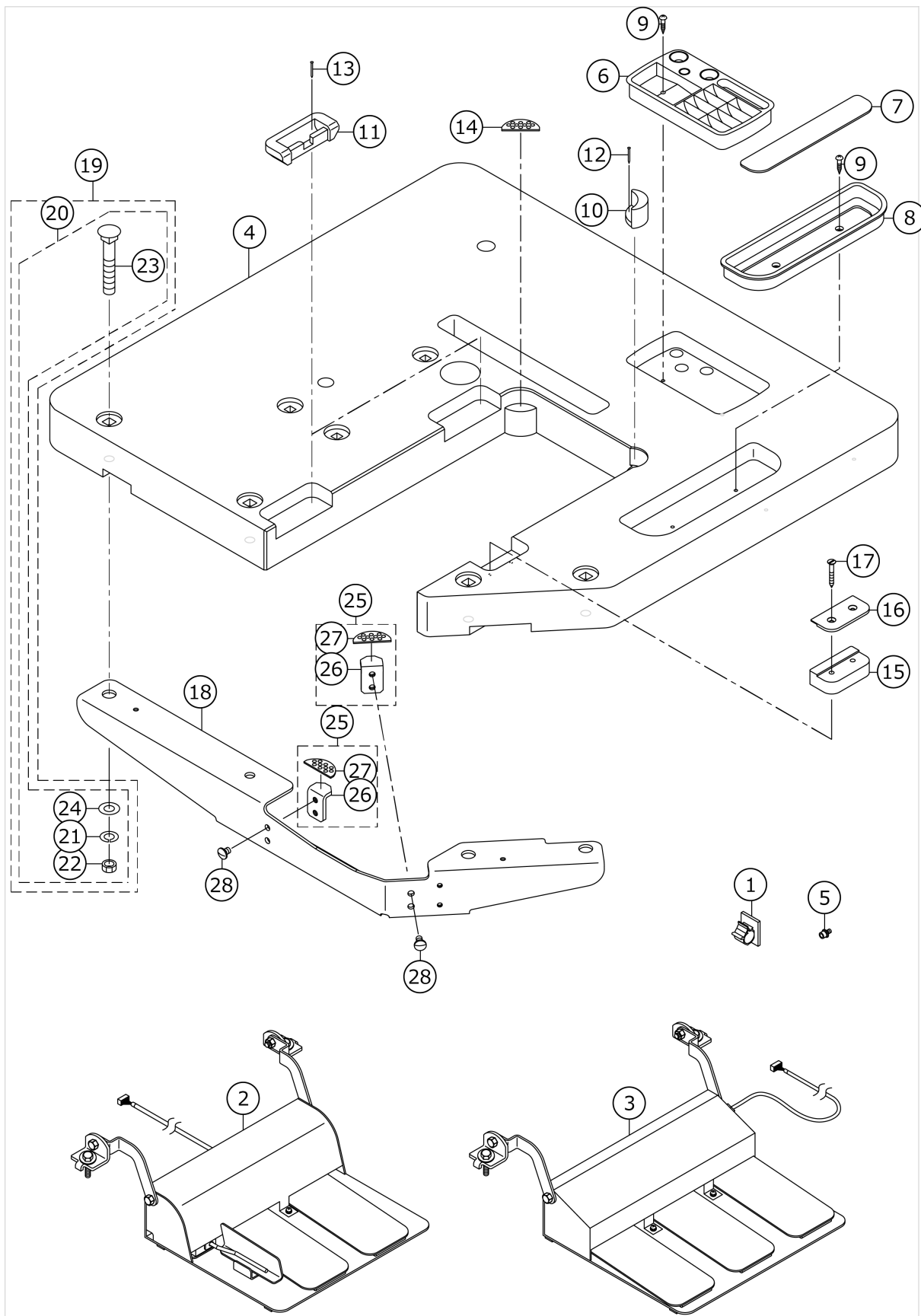
No.	品番	品名	備考	子部品	消耗品	個数
1	40005530	T-STAND ASM.				1.00
2	14118152	UPPER STAND ASM. RIGHT		*		1.00
3	B8101210AAB	UPPER STAND ASM.		*		1.00
4	14118251	STAND ASM. RIGHT		*		1.00
5	B8105210AAA	STAND ASM.		*		1.00
6	11158516	UPPER STAND PLATE		*		2.00
7	D8308205K0A	STAND SIDE SUPPORT		*		1.00
8	40005535	STAND SIDE SUPPORT		*		1.00
9	40005536	PEDAL SUPPORT BASE		*		1.00
10	40005538	STAND SUPPORT		*		1.00
11	40005539	PEDAL SUPPORT BASE CAP		*		2.00
12	11158607	RUBBER CAP		*		4.00
13	B8112552000	LEG BOTTOM SUPPORT BRACKET		*		4.00
14	B81085550A0	ADJUSTING SCREW ASM. WITH CAP		*		6.00
15	G5514116000	WASHER D=30		*		4.00
16	WP1302501SE	WASHER M12		*		6.00
17	WS1253010KN	SPRING WASHER 12.5X21.5X3		*		6.00
18	ST9053511SR	TAPPING SCREW M5X35		*		4.00
19	WP0871602SE	WASHER 8.7X18X1.6		*		2.00
20	NM6080001SE	NUT M8		*		2.00
21	SL9082091SE	WASHER HEXAGONAL BOLT		*		18.00
22	11158706	PEDAL ADJUSTING PLATE		*		1.00
23	11158805	PEDAL		*		1.00
24	11159001	PEDAL SHAFT BRACKET		*		2.00
25	D8113555B00	PEDAL BUSHING		*		2.00
26	D8115555B00	PEDAL SHAFT		*		1.00
27	11158904	PEDAL MAT		*		1.00
28	NM6080001SE	NUT M8		*		2.00
29	SL9061291SE	WASHER HEXAGONAL BOLT M6 L=12		*		2.00
30	WP0871602SE	WASHER 8.7X18X1.6		*		2.00
31	SL9082091SE	WASHER HEXAGONAL BOLT		*		2.00
32	ST9053511SR	TAPPING SCREW M5X35		*		4.00

EXCLUSIVE PARTS FOR LZ-2284C-7 (4) (TABLE COMPONENTS/JT-Z71A ,JT-Z71B)



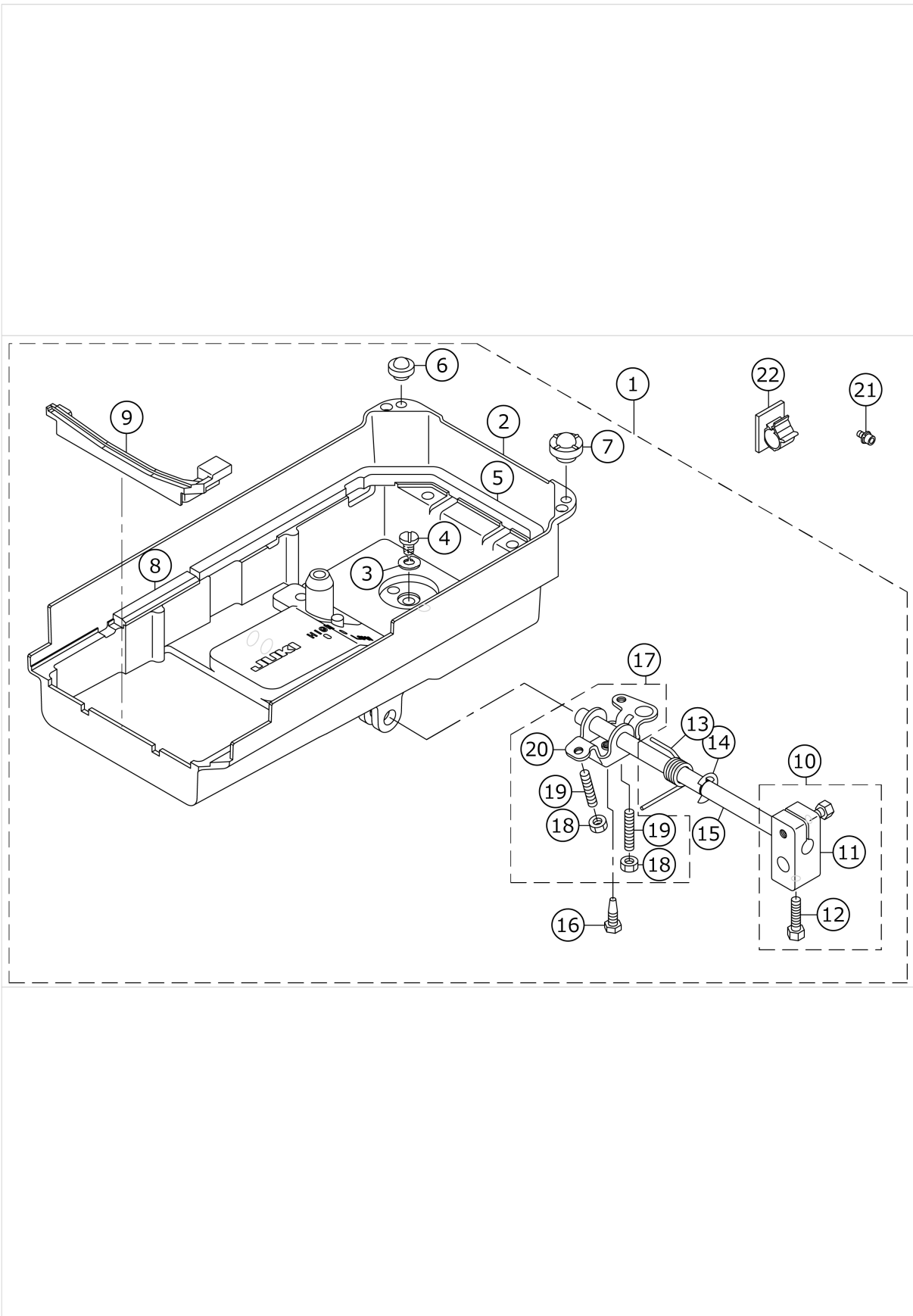
No.	品番	品名	備考	子部品	消耗品	個数
1	40005537	T-STAND ASM.				1.00
2	14118152	UPPER STAND ASM. RIGHT		*		1.00
3	B8101210AAB	UPPER STAND ASM.		*		1.00
4	14118251	STAND ASM. RIGHT		*		1.00
5	B8105210AAA	STAND ASM.		*		1.00
6	11158516	UPPER STAND PLATE		*		2.00
7	D8308205K0A	STAND SIDE SUPPORT		*		1.00
8	40005535	STAND SIDE SUPPORT		*		1.00
9	40005536	PEDAL SUPPORT BASE		*		1.00
10	40005538	STAND SUPPORT		*		1.00
11	40005539	PEDAL SUPPORT BASE CAP		*		2.00
12	11158607	RUBBER CAP		*		4.00
13	B8112552000	LEG BOTTOM SUPPORT BRACKET		*		4.00
14	B81085550A0	ADJUSTING SCREW ASM. WITH CAP		*		6.00
15	G5514116000	WASHER D=30		*		4.00
16	WP1302501SE	WASHER M12		*		6.00
17	WS1253010KN	SPRING WASHER 12.5X21.5X3		*		6.00
18	ST9053511SR	TAPPING SCREW M5X35		*		4.00
19	WP0871602SE	WASHER 8.7X18X1.6		*		2.00
20	NM6080001SE	NUT M8		*		2.00
21	SL9082091SE	WASHER HEXAGONAL BOLT		*		18.00
22	ST9053511SR	TAPPING SCREW M5X35		*		4.00

# EXCLUSIVE PARTS FOR LZ-2284C-7 (5)



No.	品番	品名	備考	子部品	消耗品	個数
1	E9608603000	STICKER (MIDDLE)	AT THE TIME OF DELIVERY OF COMPLETE SET WITH TABLE STAND ONLY.			1.00
2	GPK710010A0	2-PEDAL ASM. 71	FOR JT-Z71B			1.00
3	GPK700010A0	3-JOINT PEDAL ASM. 70	FOR JT-Z71A			1.00
4	40107537	TABLE				1.00
5	SL6040892TN	BOLT	AT THE TIME OF DELIVERY OF COMPLETE SET WITH TABLE STAND ONLY.			8.00
6	11155751	CASE ASM. B				1.00
7	11155801	CASE MAGNET				1.00
8	11156007	CASE				1.00
9	SK3382001SE	SCREW D=3.8 L=20				4.00
10	11076007	FRAME RUBBER CUSHION				1.00
11	11075801	RUBBER SPACER				2.00
12	B8210012000	CUSHION SET NAIL				2.00
13	B8210012000	CUSHION SET NAIL				4.00
14	D8226555E00	FRAME RUBBER CUSHION A				1.00
15	GAW02560000	BED FIXING RUBBER				1.00
16	GAW02561000	BED FIXING RUBBER PRESSER				1.00
17	SK1413200SC	WOOD SCREW D=4.1 L=32				2.00
18	40005532	TABLE SUPPORT				1.00
19	13155064	REPUTATION PLATE BOLT ASM.				1.00
20	13155056	BOLT SET A		*		4.00
21	WS1002560KR	SPRING WASHER 10X18X2.5		*		4.00
22	NS6240630SE	NUT 3/8-18		*		4.00
23	13155007	HOLDING PLATE BOLT		*		4.00
24	WP1002036SE	WASHER 10X21X2		*		4.00
25	40005533	OIL RESERVOIR HOLDER ASM.				2.00
26	40005534	OIL RESERVOIR HOLDER		*		2.00
27	D8226555E00	FRAME RUBBER CUSHION A		*		2.00
28	SM0060801SA	SCREW				4.00

EXCLUSIVE PARTS FOR LZ-2284C-7 (6) (ACCESSORIES PARTS COMPONENTS)



No.	品番	品名	備考	子部品	消耗品	個数
1	40005520	OIL RESERVOIR ASM.				1.00
2	40005521	OIL RESERVOIR		*		1.00
3	RO098240100	RUBBER RING		*		1.00
4	SM0081001SD	SCREW		*		1.00
5	10038107	OIL RESERVOIR GASKET		*		1.00
6	11047107	RUBBER CUSHION		*		1.00
7	B1116210D00	FRAME SUPPORT RUBBER		*		1.00
8	40005524	FRAME SUPPORT RUBBER CUSHION B		*		1.00
9	40005523	FRAME SUPPORT RUBBER CUSHION A		*		1.00
10	22932453	BRACKET ASM.		*		1.00
11	22932404	BRACKET		*		1.00
12	22934707	SCREW		*		2.00
13	22932206	SPRING		*		1.00
14	RE1000000K0	E-RING 10		*		1.00
15	22932305	KNEE PRESS CROSS SHAFT		*		1.00
16	SM9061853SR	SCREW M6 L=17.5		*		1.00
17	22932156	KNEE LIFTER ROTATION ARM ASM.		*		1.00
18	NM6060001SE	NUT M6		*		2.00
19	SM8063012TR	SCREW M6 L=30		*		2.00
20	22932107	KNEE LIFTING ROTATING ARM		*		1.00
21	SL6040892TN	BOLT				8.00
22	E9608603000	STICKER (MIDDLE)				1.00





# HOW TO MAKE USE OF THIS PARTS LIST

## 1.Explanation of codes

1)"\*"mark.....means this part is changed from the previous parts book.

As to the details of the change, refer to the "List for information of change".

2)"#01".....refer to "Note" explanation at bottom of page.

## 2.Codes on the "Qty" column

· Each numeral indicates the number of parts required.

· "0.1" and "2.5" indicate the length (in meters) of the respective parts.

3.Parentheses mean that the corresponding part is a subpart that constructs an assembly part.

4.Dotted lines on the Figures indicate assembly parts.

5.As to the parts with marks of "☆"(consumable parts) and "◎"(optional parts)on the respective parts, it is recommended to prepare spares.

## 1 ."注記"欄の記号説明

1) "\*"印.....前回のパーツブックに比較して今回変更された部品を意味します。

変更内容は、"変更情報リスト"を参照してください。

2) "#01".....ページ下の"注記"の説明を参照してください。

2.数量欄の数字は、個数を表し、0.1、2.5等の数値は、長さ（単位メートル）を表します。

3.数量欄の（ ）は、組部品を構成している子部品であることを意味します。

4.イラストページの-----枠は、組構成であることを意味します。

5.リストページの"☆"（消耗部品）、"◎"（オプション部品）の印がついた部品は、予備を準備しておくことをお奨めします。