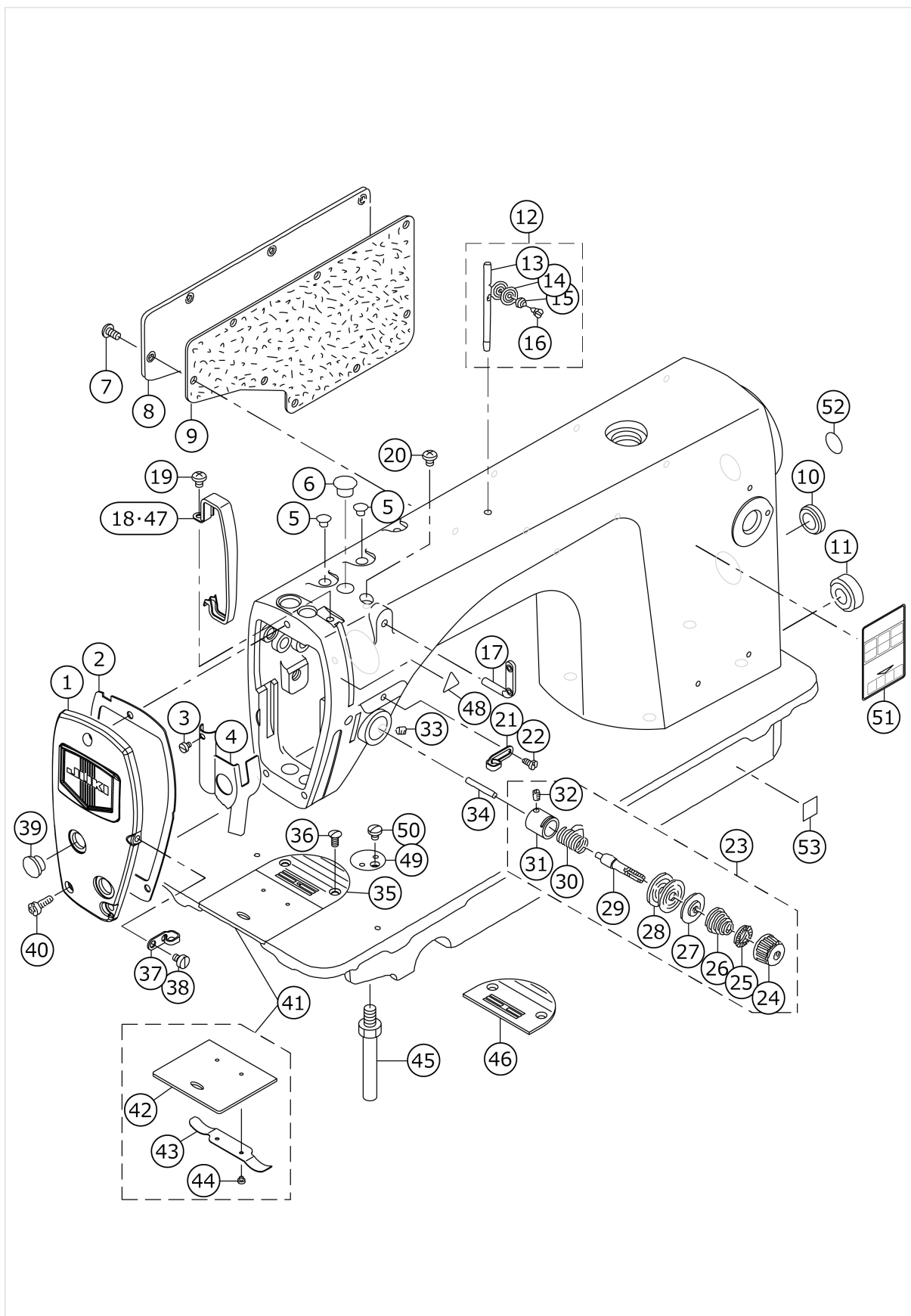


# DDL-8700 SERIES

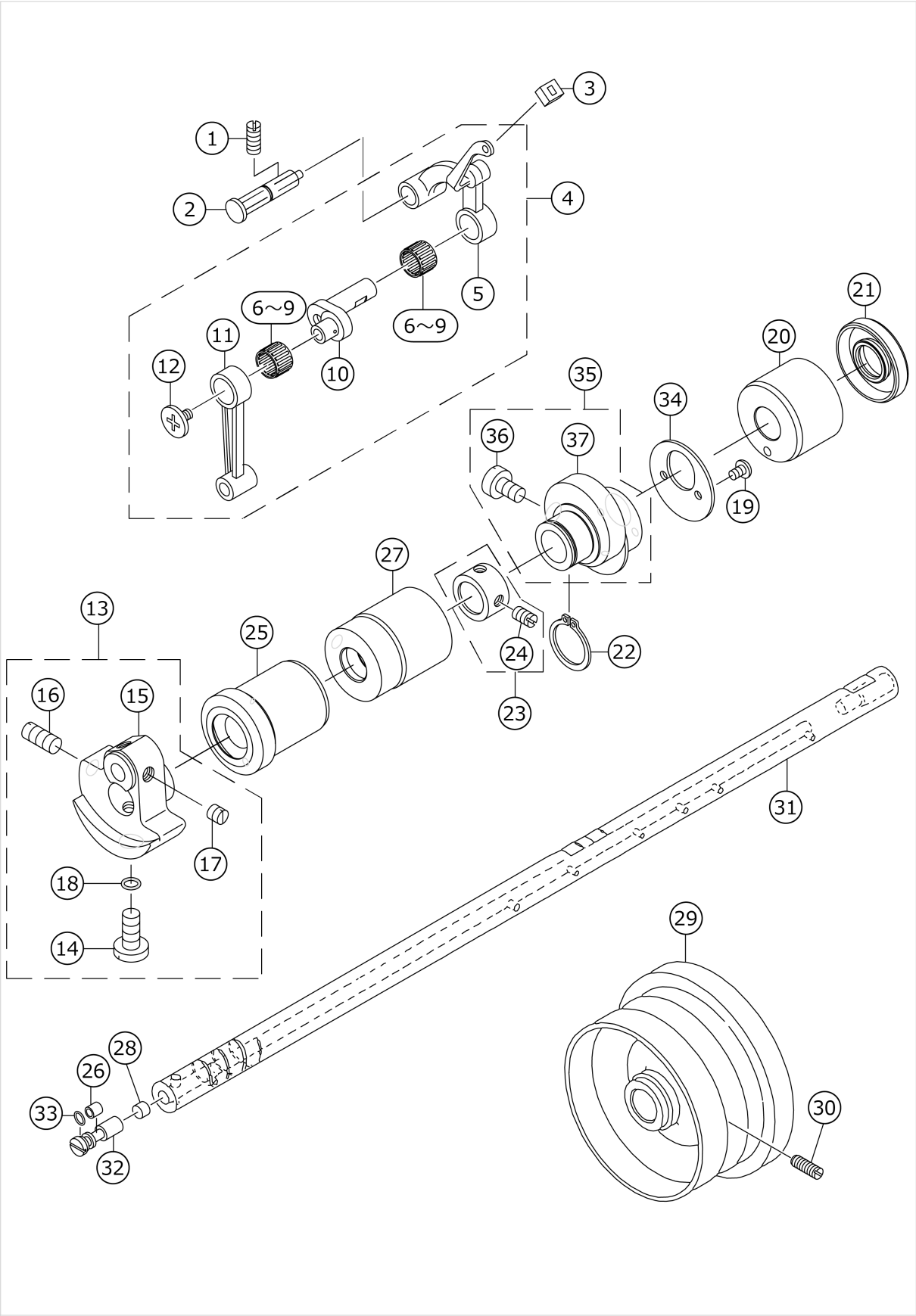
## MACHINE FRAME & MISCELLANEOUS COVER COMPONENTS



No.	品番	品名	備考	子部品	消耗品	個数
1	40102097	FACE_PLATE_ASM.				1.00
2	40012126	FACE PLATE PACKING				1.00
3	SS6080410SP	SCREW 1/8-44 L=4				1.00
4	22900757	FACE PLATE OIL SHIELD ASM.				1.00
5	TA0850604R0	RUBBER PLUG				2.00
6	TA1250705R0	RUBBER PLUG				1.00
7	SS4120925SP	SCREW 3/16-28 L=9				8.00
8	22900401	WINDOW PLATE				1.00
9	40012129	SIDE PLATE PACKING				1.00
10	TA2000502R0	RUBBER PLUG				1.00
11	TA2101002R0	RUBBER PLUG				1.00
12	22932552	NEEDLE THREAD GUIDE PIN ASM.				1.00
13	22932503	THREAD GUIDE ROD		*		1.00
14	22932602	THREAD GUIDE DISK		*		2.00
15	22932701	THREAD GUIDE DISK SPRING		*		1.00
16	SD0380552SL	HINGE SCREW D=3.8 H=5.5		*		1.00
17	22920706	TWO EYELET				1.00
18	22900609	THREAD TAKE-UP LEVER COVER				1.00
19	SS4120615SP	SCREW 3/16-28 L=6				1.00
20	SS4120615SP	SCREW 3/16-28 L=6				1.00
21	22920508	ARM THREAD GUIDE A				1.00
22	22921001	SCREW				1.00
23	22945356	THREAD TENSION ASM.				1.00
24	22921308	THREAD TENSION NUT		*		1.00
25	22921407	ROTATION STOPPER		*		1.00
26	22921704	THREAD TENSION SPRING A		*		1.00
27	22921803	DISK STOPPER		*		1.00
28	22921506	THREAD TENSION DISK		*		2.00
29	22921209	THREAD TENSION POST		*		1.00
30	22921605	THREAD TAKE-UP SPRING		*		1.00
31	22945307	THREAD TENSION POST BASE		*		1.00
32	SS8090670SP	SCREW 9/64-40 L=5.5		*		1.00
33	SS8150710TP	SCREW 15/64-28 L=7				1.00
34	22920904	PIN				1.00
35	B1109552000	THROAT PLATE	EXCEPT JE			1.00
36	SS2110920TP	SCREW 11/64-40 L=8.5				2.00
37	22920607	ARM THREAD GUIDE B				1.00
38	SS6110610TP	SCREW 11/64-40 L=6				1.00
39	TA1250406R0	RUBBER PLUG D=12.5 L=4				2.00
40	SS4120925SP	SCREW 3/16-28 L=9				3.00
41	22901250	SLIDE PLATE ASM.				1.00
42	22901201	SLIDE PLATE		*		1.00
43	22901300	SLIDE PLATE SPRING		*		1.00
44	SS6060210SP	SCREW 3/32-56 L=1.9		*		2.00
45	22901003	BED SCREW STUD				4.00
46	11028008	THROAT PLATE	FOR JE			1.00
47	11415205	THREAD TAKE-UP LEVER COVER(JE)	FOR JE			1.00
48	CM300200001	ATTENTION SEAL				1.00
49	40099083	RULER STOP SEAT				1.00
50	SS7110720SP	SCREW 11/64-40 L=7				1.00

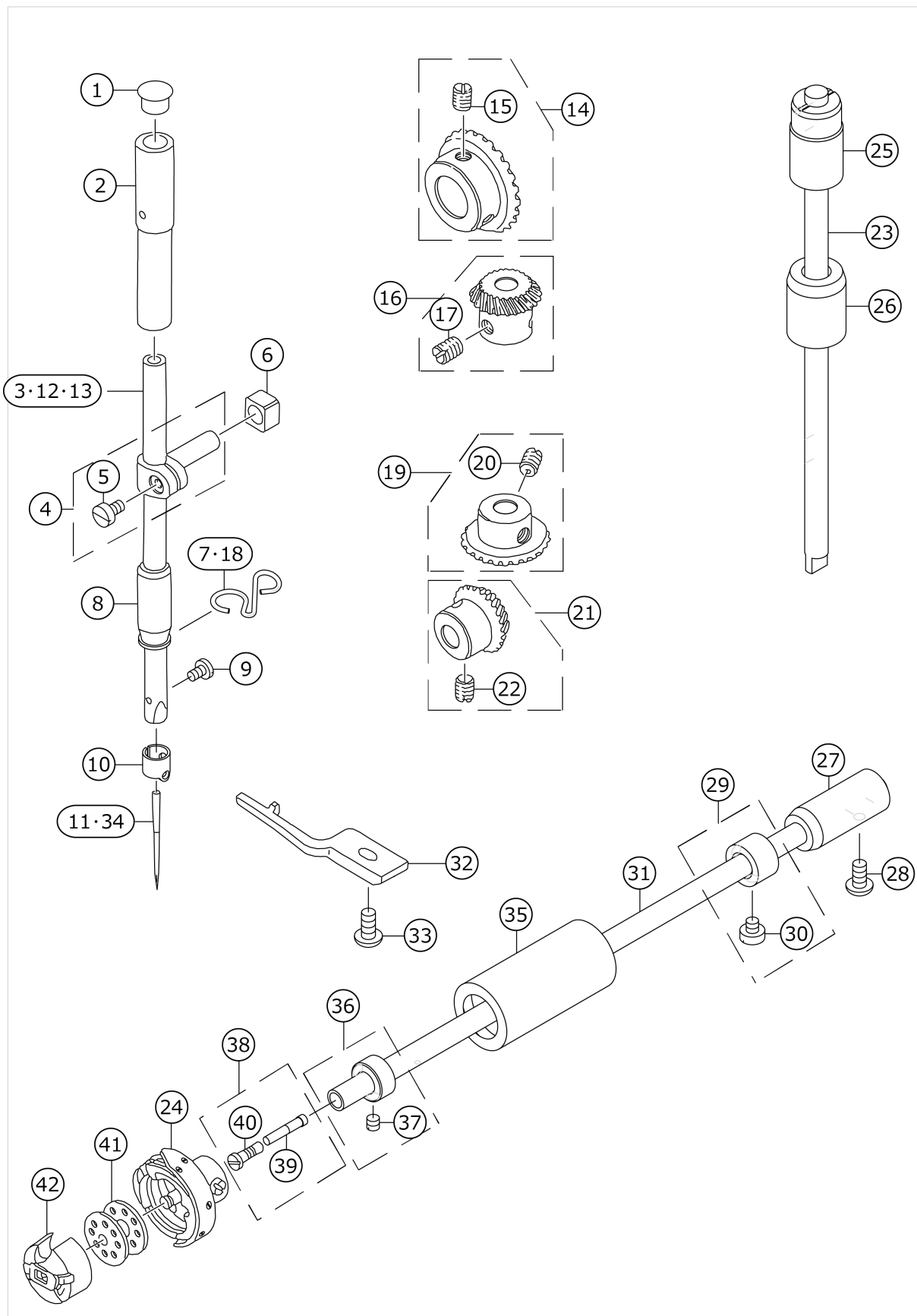
51	CM301200001	SAFETY LABEL_S				1.00
52	22901805	GROUND MARK				1.00
53	40116677	GOST_SAFTY_LABEL_S	FOR JE			1.00

# MAIN SHAFT & THREAD TAKE-UP LEVER COMPONENTS



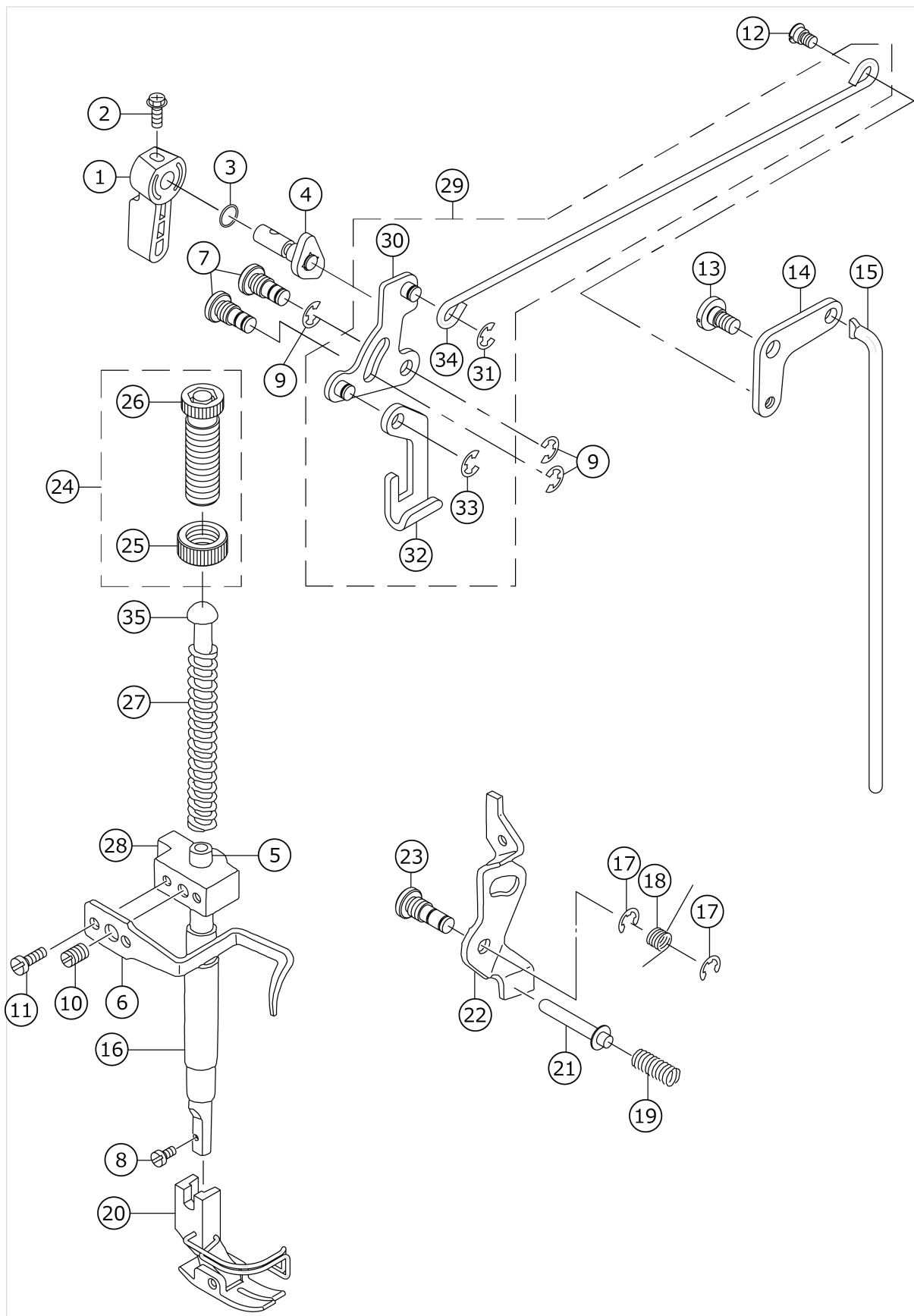
No.	品番	品名	備考	子部品	消耗品	個数
1	SS8151150TP	SCREW 15/64-28 L=10.5				1.00
2	22919559	THREAD TAKE-UP CRANK SHAFT ASM.				1.00
3	22919203	OIL PROTECTING RUBBER				1.00
4	22918072	THREAD TAKE-UP LEVER COMPL.				1.00
5	22918064	THREAD TAKE-UP LEVER ASM.		*		1.00
6	22918403	NEEDLE BEARING A	SELECTIVE PARTS	*		2.00
7	22918502	NEEDLE BEARING B	SELECTIVE PARTS	*		2.00
8	22918601	NEEDLE BEARING C	SELECTIVE PARTS	*		2.00
9	22918700	NEEDLE BEARING D	SELECTIVE PARTS	*		2.00
10	22918106	NEEDLE BAR CRANK		*		1.00
11	22906606	NEEDLE BAR CRANK ROD		*		1.00
12	22918304	LEFT SCREW		*		1.00
13	40106606	COUNTER_WEIGHT_ASM.				1.00
14	SS7681650TP	SCREW 9/32-28 L=16		*		1.00
15	40106607	COUNTER_WEIGHT		*		1.00
16	SS8681650TP	SCREW 9/32-28 L=16		*		1.00
17	SS8660610TP	SCREW 1/4-40 L=6		*		2.00
18	RO044240100	RUBBER RING		*		1.00
19	SS4090615SP	SCREW 9/64-40 L=6				2.00
20	11002409	MAIN SHAFT BUSHING REAR				1.00
21	40105231	OIL SEAL				1.00
22	RC1850001KP	SNAP RING 18.5				1.00
23	22904155	MAIN SHAFT THRUST COLLAR ASM.				1.00
24	SS8660610TP	SCREW 1/4-40 L=6		*		2.00
25	22903207	MAIN SHAFT BUSHING FRONT				1.00
26	B1215552000	OIL ADJUSTING COLLAR				1.00
27	22903306	BUSHING INTERMEDIATE				1.00
28	11002904	ROLLER FELT				1.00
29	22927206	HAND WHEEL				1.00
30	SS8151550SP	SCREW 15/64-28 L=15				2.00
31	22903009	MAIN SHAFT				1.00
32	22903900	ADJUSTING PIN				1.00
33	RO029180100	RUBBER RING				1.00
34	22910103	THRUST COLLAR				1.00
35	22910053	FEED DRIVE ECCENTRIC CAM ASM.				1.00
36	SS6661110SP	SCREW 1/4-40 L=11		*		2.00
37	22910004	FEED DRIVE ECCENTRIC CAM		*		1.00

# NEEDLE BAR, UPRIGHT SHAFT & HOOK DRIVING SHAFT COMPONENTS



No.	品番	品名	備考	子部品	消耗品	個数
1	TA0850604R0	RUBBER PLUG				1.00
2	22906101	NEEDLE BAR BUSHING UPPER				1.00
3	22906002	NEEDLE BAR	FOR JA			1.00
4	22906457	NEEDLE BAR HOLDER ASM.				1.00
5	SS6090670TP	SCREW 9/64-40 L=6		*		1.00
6	40090058	SLIDE BLOCK				1.00
7	40012444	NEEDLE BAR THREAD GUIDE				1.00
8	22906200	NEEDLE BAR BUSHING LOWER				1.00
9	SS7080510TP	SCREW 1/8-44 L=4.5				1.00
10	22906309	NEEDLE BAR THREAD GUIDE				1.00
11	MDB100B1400	NEEDLE DBX1 #14				1.00
12	22906705	NEEDLE BAR B	FOR JE			1.00
13	40010007	NEEDLE BAR	FOR ST,SH			1.00
14	B13050120A0	GEAR ASM.				1.00
15	SS8660810TP	SCREW 1/4-40 L=8		*		2.00
16	B13061550A0	PINION ASM.				1.00
17	SS8660810TP	SCREW 1/4-40 L=8		*		2.00
18	40012444	NEEDLE BAR THREAD GUIDE	FOR SH			1.00
19	B13071550A0	GEAR ASM. LARGE				1.00
20	SS8660810TP	SCREW 1/4-40 L=8		*		2.00
21	B13081550A0	PINION ASM.				1.00
22	SS8660810TP	SCREW 1/4-40 L=8		*		2.00
23	22905004	UPRIGHT SHAFT				1.00
24	B18301270A0	HOOK ASM.				1.00
25	22905103	UPRIGHT SHAFT BUSHING UPPER				1.00
26	22905202	UPRIGHT SHAFT BUSHING LOWER				1.00
27	22916308	HOOK DRIVING SHAFT BUSH REAR				1.00
28	SS4120925SP	SCREW 3/16-28 L=9				1.00
29	22917157	THRUST COLLAR ASM. REAR				1.00
30	SS6110420TP	SCREW 11/64-40 L=4.8		*		2.00
31	22916001	HOOK DRIVING SHAFT				1.00
32	22916407	BOBBIN CASE POSITIONING FINGER				1.00
33	SS4110915TP	SCREW 11/64-40 L=9				1.00
34	MC200500900	NEEDLE 134 90	FOR JE			1.00
35	22916100	HOOK DRIVING SHAFT BUSH FRONT				1.00
36	22917058	THRUST COLLAR ASM. FRONT				1.00
37	SS8110410TP	SCREW 11/64-40 L=3.5		*		2.00
38	22916555	OIL SEAL SCREW ASM.				1.00
39	11015906	OIL WICK		*		1.00
40	22916506	SET SCREW		*		1.00
41	22932909	BOBBIN				1.00
42	B18370120A0	BOBBIN CASE ASM.				1.00

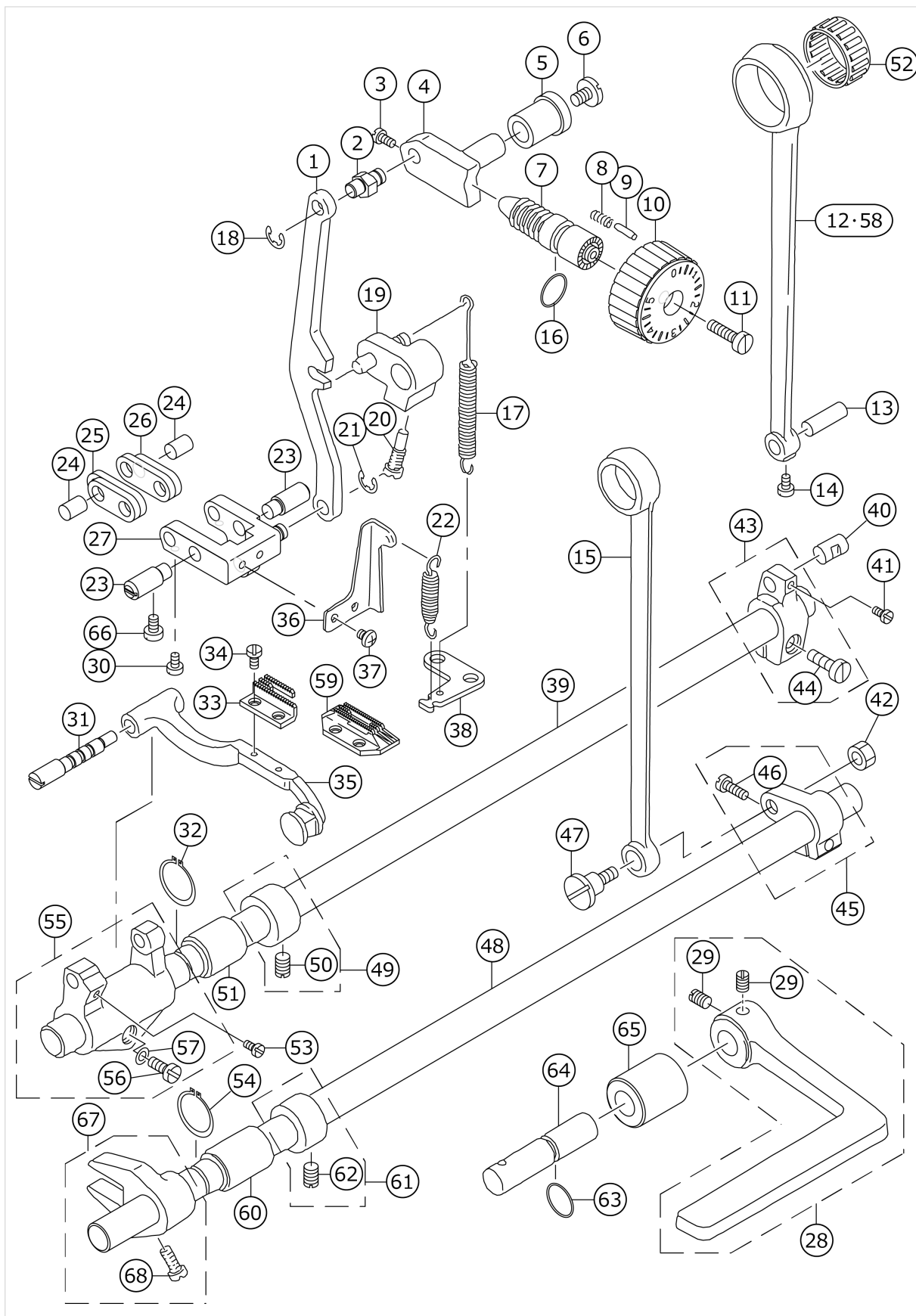
# HAND LIFTER COMPONENTS





No.	品番	品名	備考	子部品	消耗品	個数
1	22907802	HAND LIFTER				1.00
2	B1521555000	SCREW				1.00
3	RO037180100	RUBBER RING				1.00
4	22908552	HAND LIFTER CAM ASM.				1.00
5	40017805	PRESSER BAR				1.00
6	22907307	THREAD GUIDE				1.00
7	22908701	LINK SHAFT				1.00
8	SS7091110TP	SCREW 9/64-40 L=10.5				1.00
9	RE0500000K0	E-RING				3.00
10	SS8660810TP	SCREW 1/4-40 L=8				1.00
11	SS6090910SP	SCREW 9/64-40 L=9				2.00
12	22908909	HINGE SCREW				1.00
13	SD0720331SP	HINGE SCREW D=7.24 H=3.3				1.00
14	22908800	KNEE LIFTER LINK				1.00
15	22909006	KNEE LIFTER CONNECTING ROD				1.00
16	40060989	PRESSER BAR BUSHING LOWER				1.00
17	RE0500000K0	E-RING				2.00
18	22920201	RETURN SPRING				1.00
19	22920409	THREAD RELEASE PIN SPRING				1.00
20	B15240120BA	PRESSER FOOT ASM.				1.00
21	22920300	THREAD RELEASE SUPPORTING PIN				1.00
22	22920003	THREAD RELEASE PLATE				1.00
23	22920102	TENSION RELEASE SHAFT				1.00
24	22907554	PRESSER SPRING REG NUT ASM.				1.00
25	22907604	PRESSER SPRING REGULATOR NUT		*		1.00
26	22907505	PRESSER SPRING REGULATOR		*		1.00
27	22907406	PRESSER SPRING				1.00
28	22907208	PRESSER BAR GUIDE BRACKET				1.00
29	22908354	KNEE LIFTING CROSS ROD ASM.				1.00
30	22908156	LIFTING LINK ASM.		*		1.00
31	RE0500000K0	E-RING		*		1.00
32	22908008	LIFTING PLATE		*		1.00
33	RE0500000K0	E-RING		*		1.00
34	22908305	KNEE LIFTING CROSS ROD		*		1.00
35	22907703	PRESSER GUIDE BAR				1.00

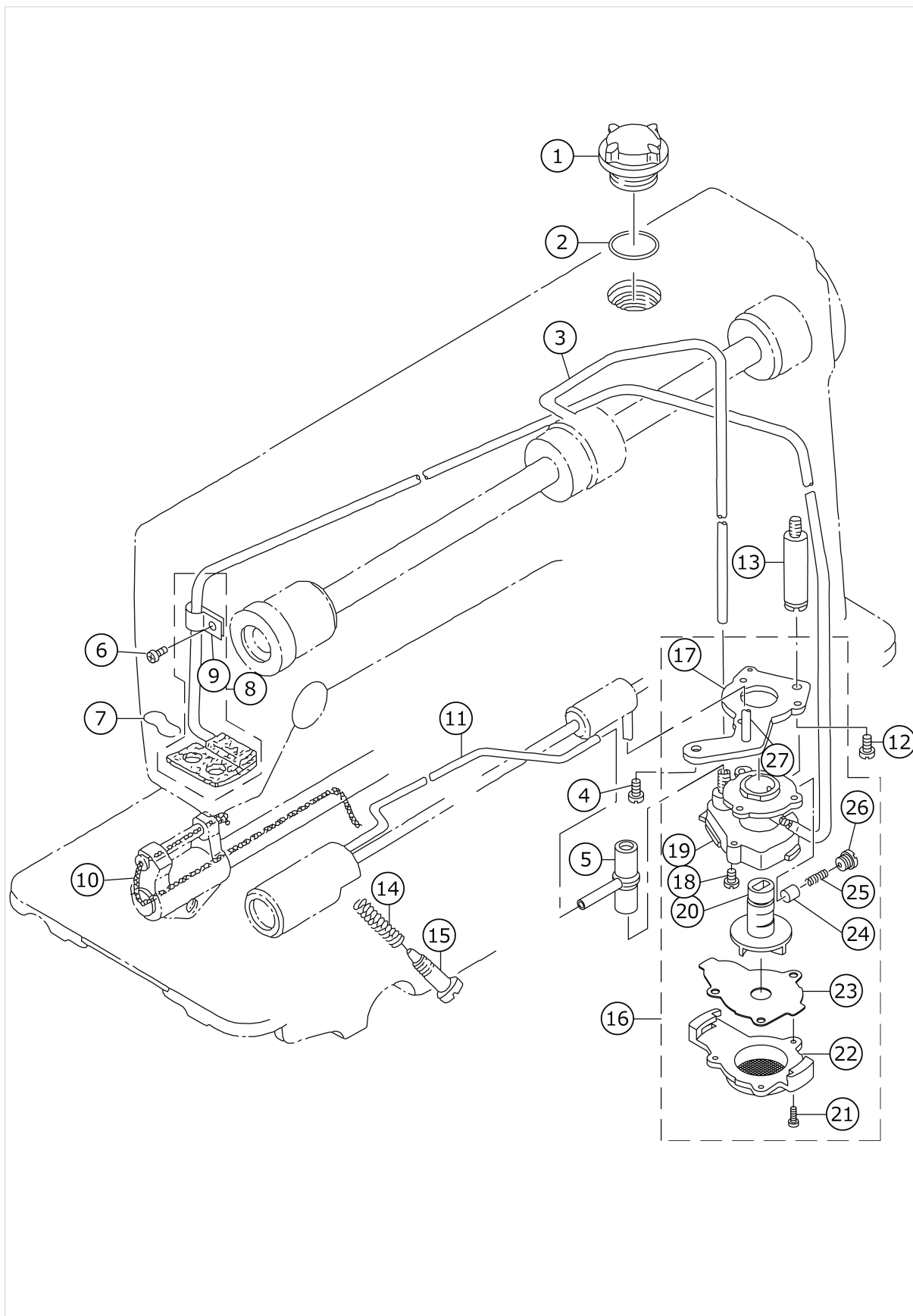
# FEED MECHANISM COMPONENTS



No.	品番	品名	備考	子部品	消耗品	個数
1	22911408	FEED REGULATOR CONNCTING ROD				1.00
2	22911507	WALKING FOOT PIN C				1.00
3	SS6090670TP	SCREW 9/64-40 L=6				2.00
4	22911606	FEED REGULATOR				1.00
5	22911705	FEED REGULATOR BUSHING				1.00
6	SS7120770SH	SCREW 3/16-28 L=7				1.00
7	22911804	FEED REGULATOR SCREW				1.00
8	22912109	FEED REGULATOR PIN SPRING				1.00
9	22912000	FEED REGULATOR PIN				1.00
10	40101726	FEED_DIAL				1.00
11	SS6121860SP	SCREW 3/16-28 L=18				1.00
12	22910202	ROCKER SHAFT CONNECTING ROD				1.00
13	22911101	WALKING FOOT PIN C				1.00
14	SS6090620TP	SCREW				1.00
15	22915003	CONNECTING ROD				1.00
16	RO092270200	RUBBER RING				1.00
17	11010311	FEED LEVER SPRING				1.00
18	RE0500000K0	E-RING				1.00
19	22912257	FEED REVERSE ARM ASM.				1.00
20	22912505	FEED REVERSE ARM SCREW				1.00
21	RE0500000K0	E-RING				1.00
22	22911309	ADJUSTING LINK SPRING				1.00
23	22910806	ADJUST LINK FULCRUM SHAFT A				2.00
24	22910905	WALKING FOOT PIN A				2.00
25	40089548	CONNECTING LINK B				2.00
26	40093417	CONNECTING LINK A				2.00
27	22910459	FEED ADJUSTING LINK ASM.				1.00
28	40102264	FEED_REVER_ASM.				1.00
29	SM8061010TP	SCREW		*		2.00
30	SS6090620TP	SCREW				2.00
31	40101462	FEED BASE SHAFT				1.00
32	RC0150001KP	RETAINING RING 13.8				1.00
33	B1613012A00	FEED DOG A	FOR JE			1.00
34	SS4080620TP	SCREW 1/8-44 L=6				2.00
35	22971857	FEED BASE ASM.				1.00
36	22941306	REGULATOR LINK SPRING HOOK				1.00
37	SS4110515SP	SCREW 11/64-40 L=5				2.00
38	22913701	FEED SPRING HOOK				1.00
39	22912901	FEED ROCKER SHAFT				1.00
40	22911002	WALKING FOOT PIN B				1.00
41	SS6090620TP	SCREW				1.00
42	NS6680410SP	NUT 9/32-28				1.00
43	40110379	ASSY_FEED_ROCKER_ARM				1.00
44	SS6121610SP	SCREW 3/16-28 L=15.5		*		1.00
45	40109422	FEED_ARM_ASM				1.00
46	SS7121610SP	SCREW 3/16-28 L=15.5		*		1.00
47	SD1000801SH	HINGE SCREW D=10 H=8				1.00
48	22915201	FEED DRIVING SHAFT				1.00
49	22904155	MAIN SHAFT THRUST COLLAR ASM.				1.00
50	SS8660610TP	SCREW 1/4-40 L=6		*		2.00

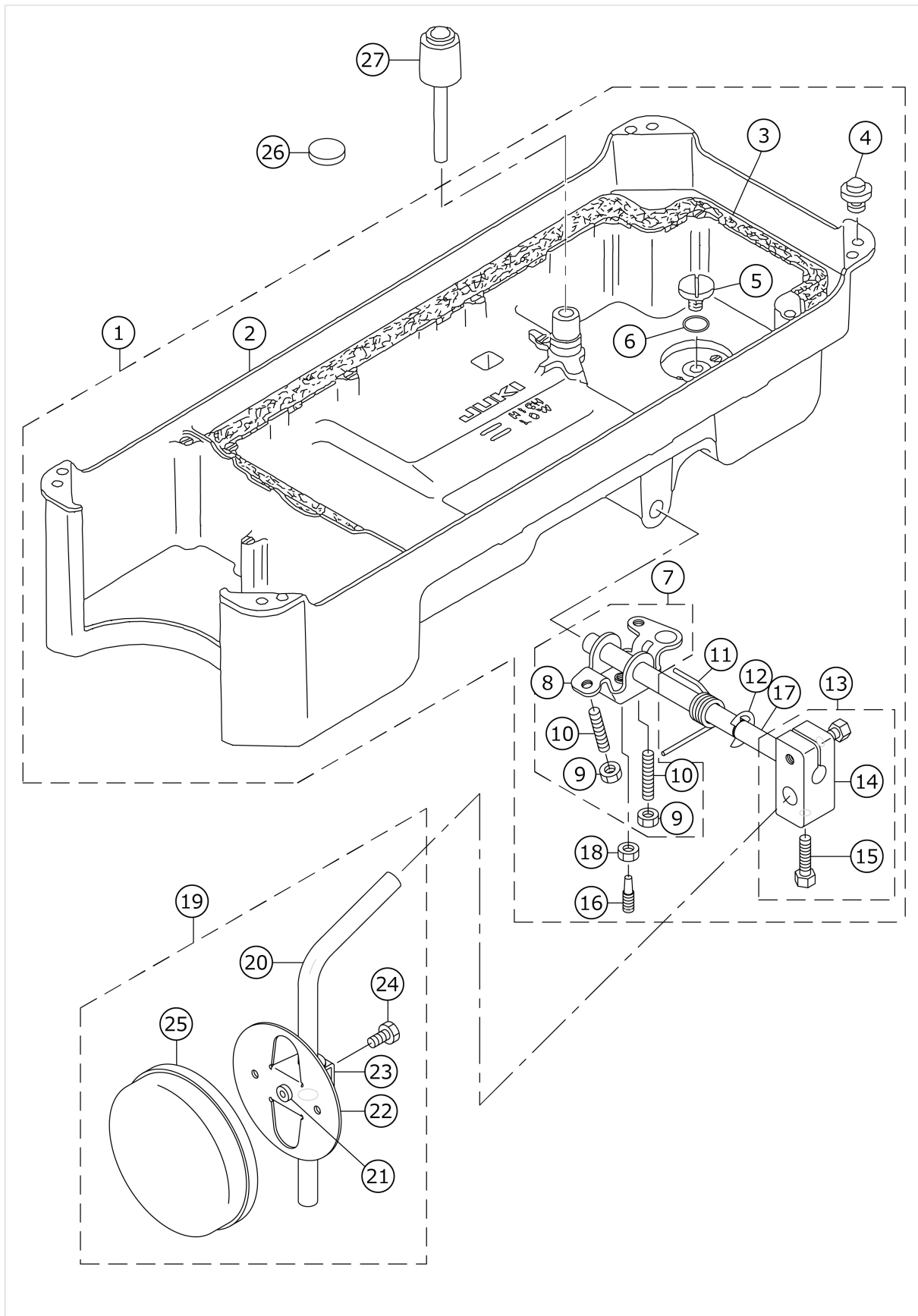
51	22913008	FEED ROCKER SHAFT BUSHING				1.00
52	22914105	BEARING C	SELECTIVE PARTS (FOR JE,JA)			1.00
53	SS7110740TP	SCREW 11/64-40 L=7				1.00
54	RC0150001KP	RETAINING RING 13.8				1.00
55	22940654	FEED ROCKER ASM.				1.00
56	SS7121410TP	SCREW 3/16-28 L=14		*		1.00
57	WP0480856SP	WASHER 4.8X8.4X0.8		*		1.00
58	22913800	ROCKER SHAFT CONNECTING ROD B	FOR JE,JA			1.00
59	B1613012I00	FEED DOG I	FOR JA,ST			1.00
60	22913008	FEED ROCKER SHAFT BUSHING				1.00
61	22904155	MAIN SHAFT THRUST COLLAR ASM.				1.00
62	SS8660610TP	SCREW 1/4-40 L=6		*		1.00
63	RO078190100	RUBBER RING				1.00
64	40100812	FEED LEVER SHAFT				1.00
65	22912802	FEED LEVER SHAFT BUSHING				1.00
66	SS6151220SP	SCREW 15/64-28 L=11.5				2.00
67	22915359	DRIVING SHAFT CRANK ASM.				1.00
68	SS7111120SP	SCREW 11/64-40 L=10.5		*		1.00

# OIL LUBRICATION COMPONENTS



No.	品番	品名	備考	子部品	消耗品	個数
1	22924708	OIL SIGHT WINDOW				1.00
2	RO195240100	RUBBER RING				1.00
3	22924401	MAIN SHAFT OIL TUBE				1.00
4	SS4150915SP	SCREW 15/64-28 L=9				1.00
5	22924609	RUBBER JOINT				1.00
6	SS4120615SP	SCREW 3/16-28 L=6				1.00
7	22925101	OIL FELT PRESSER				1.00
8	22924153	RETURN PIPE ASM.				1.00
9	22924302	RETURN PIPE HOLDER		*		1.00
10	CQ252000000	OIL WICK				0.30
11	22924500	HOOK OIL TUBE				1.00
12	SS6111010TP	SCREW 11/64-40 L=9.5				1.00
13	22924005	PUMP BODY STRUT				1.00
14	22924906	OIL REGULATOR SCREW SPRING				1.00
15	22925002	OIL REGULATOR SCREW				1.00
16	22923056	OIL PUMP ASM.				1.00
17	22923312	PUMP BODY INSTALLING PLATE		*		1.00
18	SL4030851SF	SCREW M3 L=8		*		3.00
19	22923015	PUMP BODY		*		1.00
20	22923700	IMPELLER		*		1.00
21	SE4301041SR	SCREW D=3 L=10		*		3.00
22	22923205	PUMP BODY COVER		*		1.00
23	22923809	PUMP BODY SUPPORT PLATE		*		1.00
24	22923403	PLUNGER		*		1.00
25	22923601	PLUNGER SPRING		*		1.00
26	22923502	PLUNGER SCREW		*		1.00
27	22923908	HOOK DRIVING SHAFT OILING PIPE		*		1.00

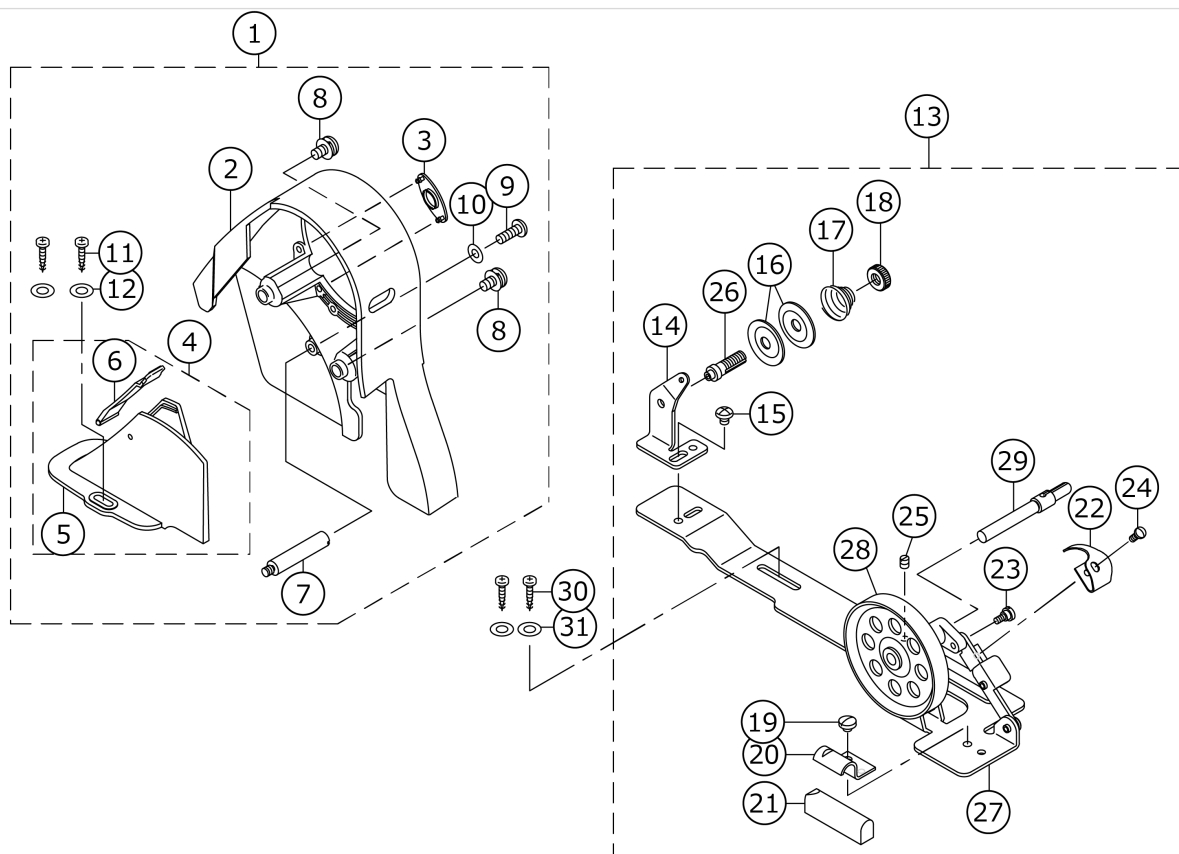
# OIL RESERVOIR COMPONENTS



No.	品番	品名	備考	子部品	消耗品	個数
1	22931851	OIL RESERVOIR ASM.				1.00
2	22931802	OIL RESERVOIR		*		1.00
3	22931901	OIL RESERVOIR GASKET		*		1.00
4	22932008	RUBBER CUSHION		*		4.00
5	SS6700710SH	SCREW 5/16-24 L=7		*		1.00
6	RO098240100	RUBBER RING		*		1.00
7	22932156	KNEE LIFTER ROTATION ARM ASM.		*		1.00
8	22932107	KNEE LIFTING ROTATING ARM		*		1.00
9	NM6060001SE	NUT M6		*		2.00
10	SM8063012TR	SCREW M6 L=30		*		2.00
11	22932206	SPRING		*		1.00
12	RE1000000K0	E-RING 10		*		1.00
13	22932453	BRACKET ASM.		*		1.00
14	22932404	VERTICAL SHAFT FITTING ARM		*		1.00
15	22934707	SCREW		*		2.00
16	40101720	SCREW_M6		*		1.00
17	22932305	KNEE PRESS CROSS SHAFT		*		1.00
18	NM6060001SE	NUT M6		*		1.00
19	22934251	KNEE PAD PLATE ASM.				1.00
20	22934608	KNEE PAD UPRIGHT SHAFT		*		1.00
21	22934400	KNEE PAD PLATE RUBBER		*		1.00
22	22934202	KNEE PAD PLATE		*		1.00
23	22934301	KNEE PAD PLATE SUPPORT		*		1.00
24	SM9061203SE	SCREW M6 L=12		*		1.00
25	22934509	KNEE PAD PLATE COVER		*		1.00
26	B8228125000	OIL RESERVOIR MAGNET				1.00
27	22931703	KNEE LIFTER PUSH ROD				1.00

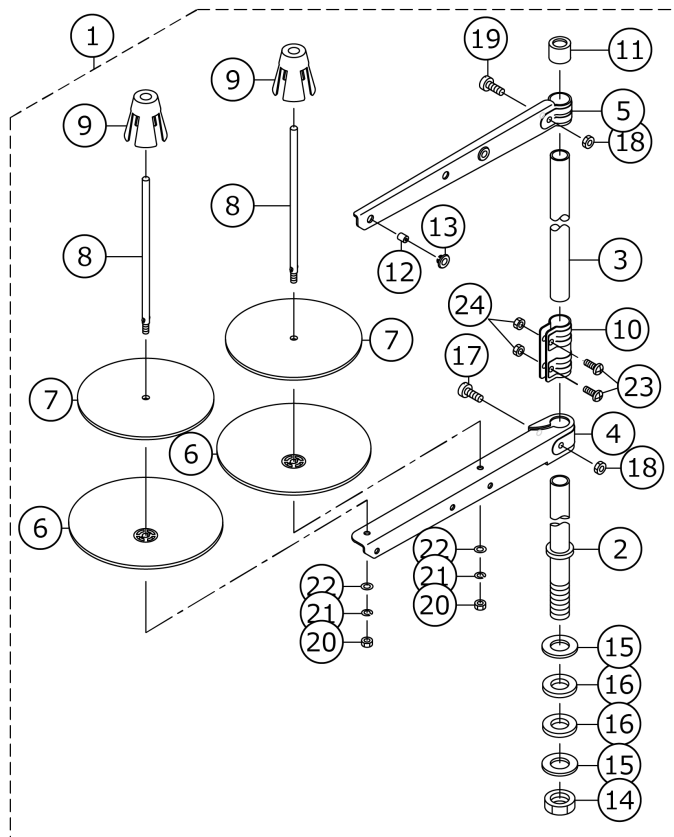


# BELT COVER & BOBBIN COMPONENTS



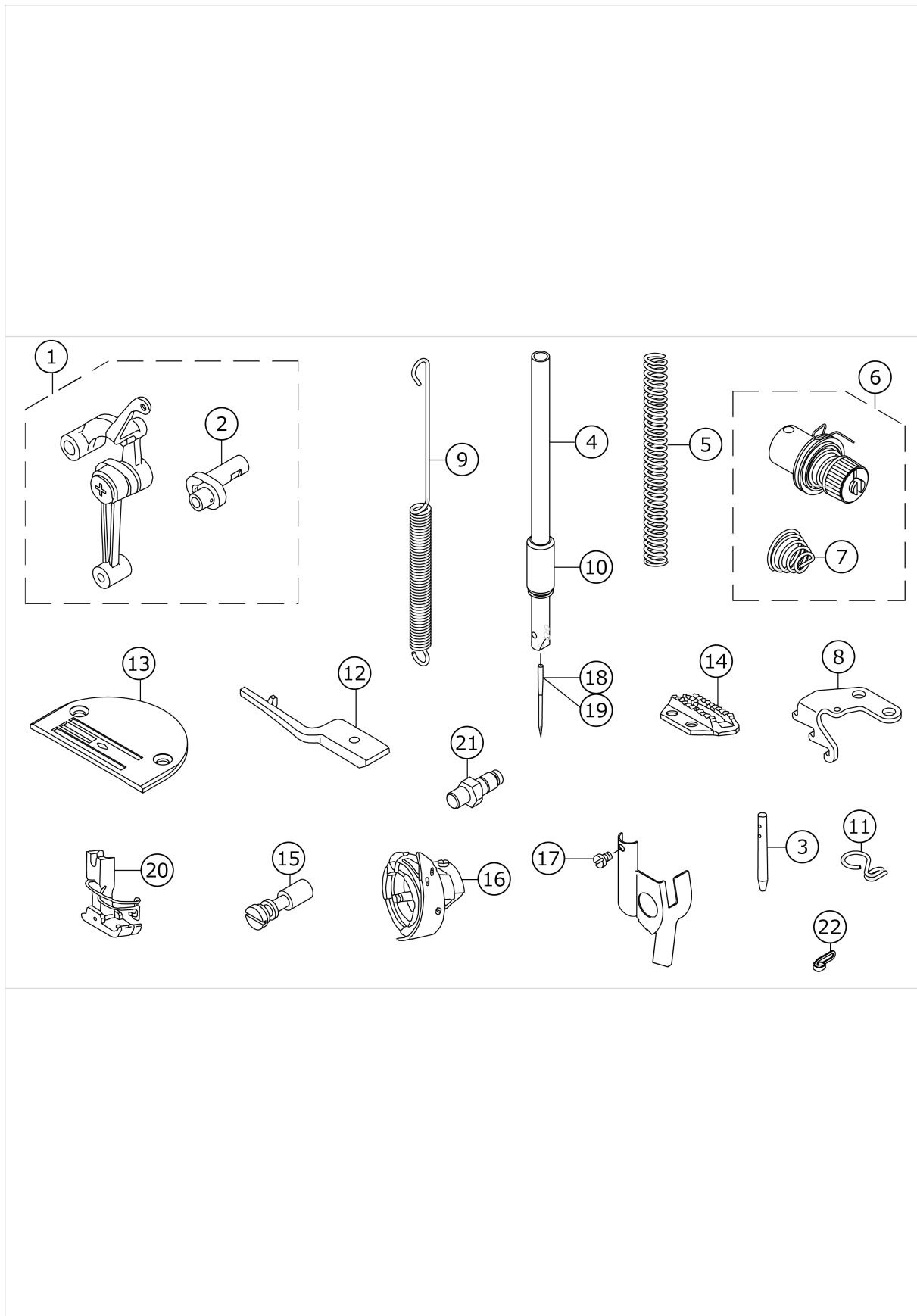
No.	品番	品名	備考	子部品	消耗品	個数
1	22933451	BELT COVER ASM.				1.00
2	22933402	BELT COVER A		*		1.00
3	22933501	BELT COVER A CAP		*		1.00
4	22933659	BELT COVER B COMPL.		*		1.00
5	22933600	BELT COVER B		*		1.00
6	22933758	BELT COVER B LID ASM.		*		1.00
7	22933907	BELT COVER STRUT		*		1.00
8	22934004	SET SCREW		*		2.00
9	SS4121415SP	SCREW 3/16-28 L=14		*		1.00
10	WP0501016SD	WASHER 5X10.5X1		*		1.00
11	SK3412000SC	WOOD SCREW D=4.1 L=20		*		2.00
12	WP0450826SC	WASHER 4.5X10X0.8		*		2.00
13	22927354	BOBBIN WINDER COMPL.				1.00
14	22928501	THREAD TENSION POST BASE		*		1.00
15	SS4110515SP	SCREW 11/64-40 L=5		*		1.00
16	22928907	THREAD TENSION DISK		*		2.00
17	22929004	THREAD TENSION SPRING		*		1.00
18	22928808	NUT		*		1.00
19	SS7110350SP	SCREW 11/64-40 L=3.5		*		1.00
20	22928402	CONTROL RUBBER HOLDING PLATE		*		1.00
21	22928303	CONTROL RUBBER		*		1.00
22	22928105	BOBBIN PRESSER		*		1.00
23	SD0490261SP	HINGE SCREW D=4.9 H=2.6		*		1.00
24	SS7081310SP	SCREW 1/8-44 L=12.5		*		1.00
25	SS8110510SP	SCREW 11/64-40 L=5		*		1.00
26	22928709	THREAD TENSION POST		*		1.00
27	22927305	BOBBIN WINDER BASE		*		1.00
28	22927404	BOBBIN WINDER		*		1.00
29	22927602	BOBBIN WINDER SPINDLE		*		1.00
30	SK3412000SC	WOOD SCREW D=4.1 L=20				2.00
31	WP0450826SC	WASHER 4.5X10X0.8				2.00

# THREAD STAND COMPONENTS



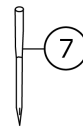
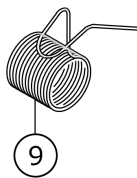
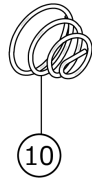
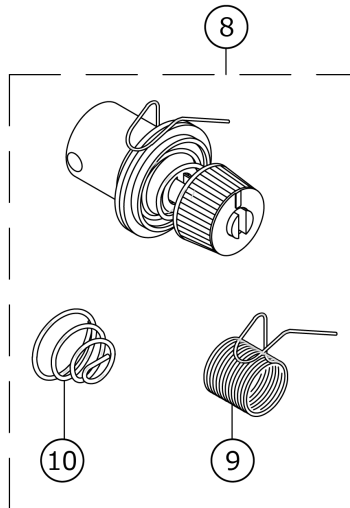
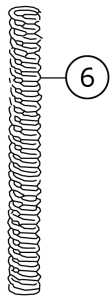
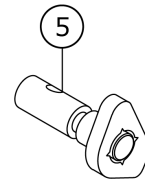
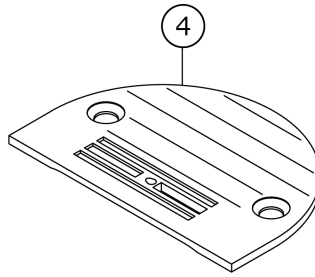
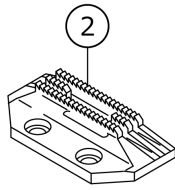
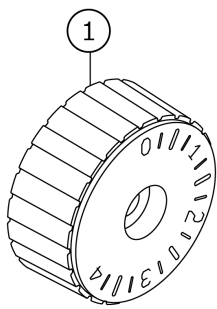
No.	品番	品名	備考	子部品	消耗品	個数
1	40096354	THREAD STAND ASM.				1.00
2	40085784	SPOOL REST ROD LOWER		*		1.00
3	40085785	SPOOL REST ROD UPPER		*		1.00
4	40085786	SPOOL REST ARM LOWER		*		1.00
5	40085787	SPOOL REST ARM UPPER		*		1.00
6	40085788	SPOOL REST		*		2.00
7	40085789	SPOOL REST CUSHION		*		2.00
8	40085790	SPOOL PIN		*		2.00
9	40085791	SPOOL RETAINER		*		2.00
10	40085792	SPOOL REST ROD JOINT		*		1.00
11	40085793	SPOOL REST ROD RUBBER CAP		*		1.00
12	40085794	THREAD GUIDE		*		2.00
13	40085795	THREAD GUIDE BUSHING		*		2.00
14	40096325	SPOOL REST ROD NUT		*		1.00
15	WP1612616SE	WASHER 16X30X2.6		*		2.00
16	40085796	SPOOL REST ROD RUBBER CUSHION		*		2.00
17	40096326	SPOOL REST ARM LOWER SCREW		*		1.00
18	NM6050001SE	NUT M5		*		2.00
19	40096327	SPOOL REST ARM UPPER SCREW		*		1.00
20	NM6050001SE	NUT M5		*		2.00
21	WS0510002KN	SPRING WASHER M5		*		2.00
22	WP0531001SC	WASHER M5		*		2.00
23	SM4051405SE	SCREW M5 L=14		*		2.00
24	NM6050001SE	NUT M5		*		2.00

# EXCLUSIVE PARTS FOR DDL-8700H



No.	品番	品名	備考	子部品	消耗品	個数
1	40103560	LINK_THREAD_TAKE-UP_LENER-H_ASM.				1.00
2	40109126	NEEDLE_BAR_CRANK_H		*		1.00
3	B1114012000	THREAD GUIDE PIN				1.00
4	22970206	NEEDLE BAR				1.00
5	B1505552000A	PRESSER SPRING				1.00
6	22962054	THREAD TENSION ASM.				1.00
7	22962005	THREAD TENSION SPRING		*		1.00
8	22970602	FEED SPRING HOOK				1.00
9	40080725	ADJUSTING LINK SPRING				1.00
10	22970313	NEEDLE BAR BUSHING LOWER				1.00
11	40023223	NEEDLE BAR THREAD GUIDE				1.00
12	11091709	POSITIONING FINGER				1.00
13	B1109555H0B	THROAT PLATE (H)				1.00
14	B1613555H00	FEED DOG (H)				1.00
15	B1213552000A	OIL ADJUSTING PIN				1.00
16	11092459	LUBRICATING HOOK ASM.				1.00
17	SS6080320SP	SCREW 1/8-44 L= 2.5				1.00
18	MC200501300	NEEDLE 134 NM130	FOR JE			1.00
19	MDB100B2100	NEEDLE DBX1 #21				1.00
20	D1524555EBL	PRESSER FOOT ASM.				1.00
21	22971204	FEED REGULATOR BASE PIN				1.00
22	11091006	ARM THREAD GUIDE (HA)				1.00

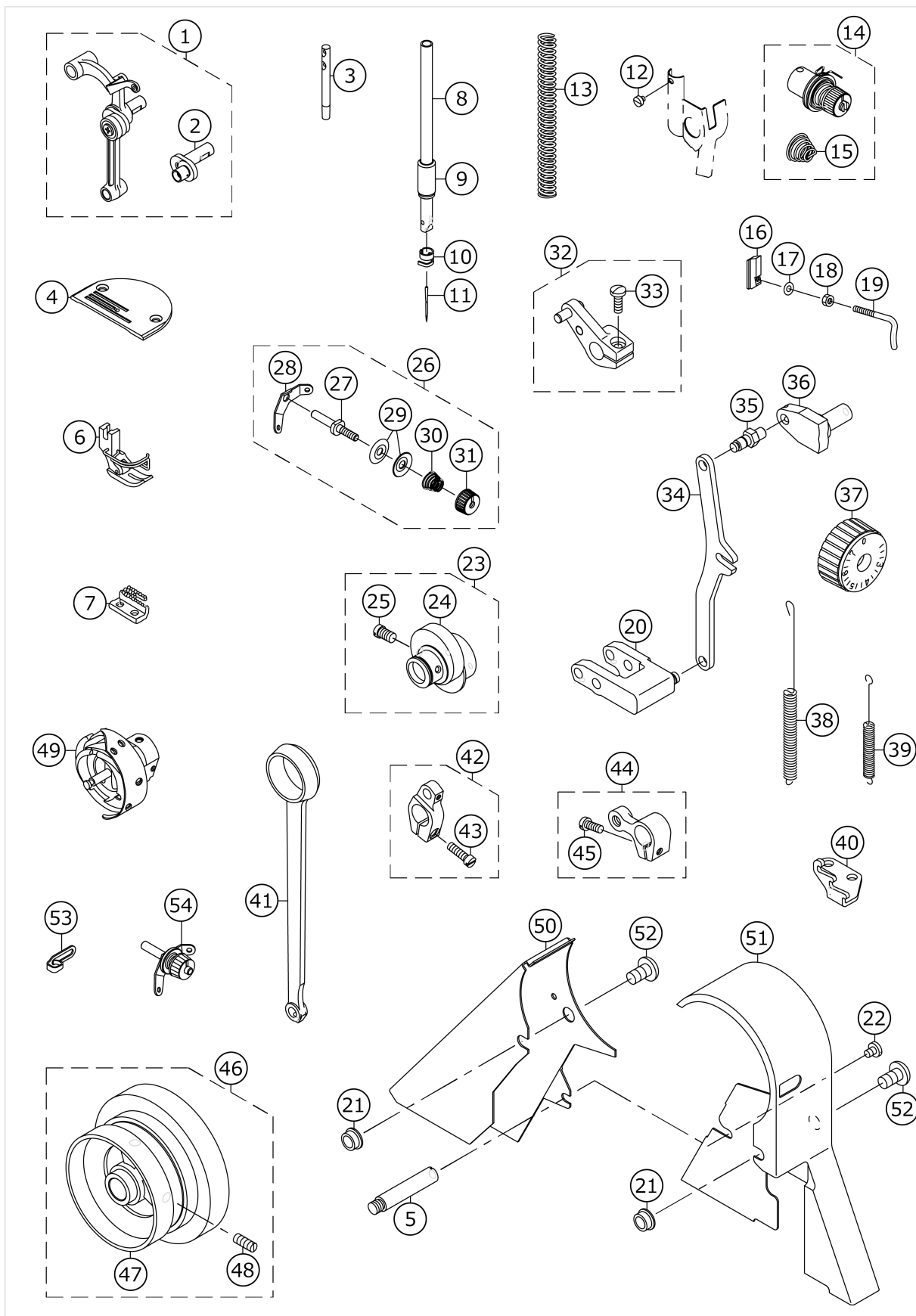
# EXCLUSIVE PARTS FOR DDL-8700A



No.	品番	品名	備考	子部品	消耗品	個数
1	22940506	FEED DIAL				1.00
2	B1613012I00	FEED DOG I				1.00
3	22964001	BOBBIN A				1.00
4	B1109552000	THROAT PLATE				1.00
5	11092558	HAND LIFTER CAM ASM.				1.00
6	B1505227T00A	PRESSER SPRING T				1.00
7	MDA100B0900	NEEDLE DAX1 #9				1.00
8	40011503	THREAD TENSION ASM.				1.00
9	40054784	THREAD TAKE-UP SPRING		*		1.00
10	40054785	THREAD TENSION SPRING		*		1.00



# EXCLUSIVE PARTS FOR DDL-8700L



No.	品番	品名	備考	子部品	消耗品	個数
1	11062858	LINK THREAD TAKE-UP LEVER ASM.				1.00
2	11062809	NEEDLE BAR CRANK		*		1.00
3	22958300	NEEDLE THREAD GUIDE PIN				1.00
4	11062007	THROAT PLATE A				1.00
5	11023504	BELT COVER SUPPORT A				1.00
6	D1524126WBA	PRESSER FOOT ASM.				1.00
7	11062601	FEED DOG				1.00
8	22970206	NEEDLE BAR				1.00
9	22970313	NEEDLE BAR BUSHING LOWER				1.00
10	22970404	NEEDLE BAR THREAD HOOK				1.00
11	MDB100B2100	NEEDLE DBX1 #21				1.00
12	SS6080320SP	SCREW 1/8-44 L=2.5				1.00
13	B1505552000A	PRESSER SPRING				1.00
14	22962054	THREAD TENSION ASM.				1.00
15	22962005	THREAD TENSION SPRING		*		1.00
16	11403805	THREAD GUIDE C FITTING PLATE				1.00
17	WP0371016SD	WASHER 3.7X8X1				1.00
18	NS6090310SP	NUT 9/64-40				1.00
19	11305513	ARM THREAD GUIDE C				1.00
20	22970958	FEED ADJUST LINK ASM.				1.00
21	11023603	BELT COVER COLLAR				2.00
22	SS7120640SP	SCREW 3/16-28 L=6				1.00
23	22970552	FEED ECCENTRIC CAM ASM.				1.00
24	22970503	FEED ECCENTRIC CAM L		*		1.00
25	22972806	FEED ECCENTRIC CAM SETSCREW		*		2.00
26	22945455	THREAD TENSION ASM. NO.1				1.00
27	22945406	THREAD TENSION POST		*		1.00
28	22945604	THREAD TENSION GUIDE		*		1.00
29	22945802	THREAD TENSION DISK		*		2.00
30	22945505	THREAD TENSION SPRING		*		1.00
31	22945703	THREAD TENSION NUT		*		1.00
32	22971550	FEED LEVER ARM ASM.				1.00
33	SS7121410TP	SCREW 3/16-28 L=14		*		1.00
34	22971105	FEED REGULATOR ROD				1.00
35	22971204	FEED REGULATOR BASE PIN				1.00
36	22971303	FEED REGULATOR BASE				1.00
37	22971402	FEED DIAL				1.00
38	11302619	SPRING				1.00
39	22971709	FEED REVERSE SPRING				1.00
40	22970602	FEED SPRING HOOK				1.00
41	22970701	HORIZONTAL FEED ROD				1.00
42	22970859	HORIZONTAL FEED ARM ASM.				1.00
43	SS6121610SP	SCREW 3/16-28 L=15.5		*		1.00
44	22972251	VERTICAL FEED ARM ASM.				1.00
45	SS6121610SP	SCREW 3/16-28 L=15.5		*		1.00
46	22970156	HAND WHEEL ASM.				1.00
47	22970107	HAND WHEEL		*		1.00
48	SS8151550SP	SCREW 15/64-28 L=15		*		2.00
49	11062759	OIL HOOK ASM.				1.00
50	11072907	BELT COVER A				1.00

51	11073004	BELT COVER B				1.00
52	SS4701415SD	SCREW				2.00
53	11091006	ARM THREAD GUIDE (HA)				1.00
54	22963458	THREAD TENSION ASM.				1.00

# LIST FOR INFORMATION OF CHANGE (1)

As to the place changed, refer to the corresponding Rev.No.  
 When previous parts(Obsoleted part)and new parts(Added parts)are  
 not interchangeable with each other:  
 In this case, even obsoleted parts(D.)can be ordered with the  
 obsoleted part number, so select the parts with changed dates and  
 place your orders.

変更箇所は、該当Rev.No.版をご参照ください。

部品の互換性がない変更の場合は、削除された品番でも、ご注文できます。

29346509  
 No.1305-08・・・Rev.No.

\*A:Added parts追加部品/D:Obsoleted parts削除部品/E:Erratum訂正

* Rev. No.	Page 頁	Ref. No.	Parts No. 品番	* Rev. No.	Page 頁	Ref. No.	Parts No. 品番
D 07	2	1	229-02159	A 08	2	1	401-02097
D 07	2	7	SS-4120915-SP	A 08	2	7	SS-4120925-SP
D 07	2	40	SS-4120915-SP	A 08	2	40	SS-4120925-SP
D 07	2	49	229-02605	A 08	2	49	400-99083
D 07	2	50	SS-7110540-SP	A 08	2	50	SS-7110720-SP
				A 08	2	53	401-16677
D 07	4	4	110-39070	A 08	4	4	229-18072
D 07	4	5	110-39062	A 08	4	5	229-18064
D 07	4	6	B1905-541-B00	A 08	4	6	229-18403
				A 08	4	7	229-18502
				A 08	4	8	229-18601
				A 08	4	9	229-18700
D 07	4	7	110-05204	A 08	4	10	229-18106
D 07	4	8	B1408-552-000	A 08	4	11	229-06606
D 07	4	9	B1903-552-000	A 08	4	12	229-18304
D 07	4	10	229-03157	A 08	4	13	401-06606
D 07	4	15	229-03108	A 08	4	15	401-06607
D 07	4	21	110-02508	A 08	4	21	401-05231
D 07	6	1	229-01409	A 08	6	1	TA-0850604-R0
D 07	6	6	B1414-555-000	A 08	6	6	400-90058
D 07	6	12	B1307-155-0C0				
D 07	6	13	B1306-155-0B0				
D 07	6	18	B1307-155-0B0				
D 07	6	28	SS-4120915-SP	A 08	6	28	SS-4120925-SP
D 07	10	10	229-11903	A 08	10	10	401-01726
D 07	10	28	229-12752	A 08	10	28	401-02264
D 07	10	29	SM-8061050-TP				
D 07	10	31	229-40803	A 08	10	31	401-01462
D 07	10	43	229-10350	A 08	10	43	401-10379
D 07	10	44	SS-7121410-TP	A 08	10	44	SS-6121610-SP
D 07	10	45	229-15151	A 08	10	45	401-09422
D 07	10	64	229-12604	A 08	10	64	401-00812
D 07	10	66	SS-8150710-TP	A 08	10	66	SS-6151220-SP
D 07	12	12	229-24807				
D 07	12	13	SS-4150915-SP				
D 07	12	17	229-23304	A 08	12	17	229-23312



# HOW TO MAKE USE OF THIS PARTS LIST

## 1.Explanation of codes

1)"\*"mark.....means this part is changed from the previous parts book.

As to the details of the change, refer to the "List for information of change".

2)"#01".....refer to "Note" explanation at bottom of page.

## 2.Codes on the "Qty" column

· Each numeral indicates the number of parts required.

· "0.1" and "2.5" indicate the length (in meters) of the respective parts.

3.Parentheses mean that the corresponding part is a subpart that constructs an assembly part.

4.Dotted lines on the Figures indicate assembly parts.

## 1 ."注記"欄の記号説明

1) "\*"印.....前回のパーツブックに比較して今回変更された部品を意味します。

変更内容は、"変更情報リスト"を参照してください。

2) "#01".....ページ下の"注記"の説明を参照してください。

2.数量欄の数字は、個数を表し、0.1、2.5等の数値は、長さ（単位メートル）を表します。

3.数量欄の（ ）は、組部品を構成している子部品であることを意味します。

4.イラストページの-----枠は、組構成であることを意味します。