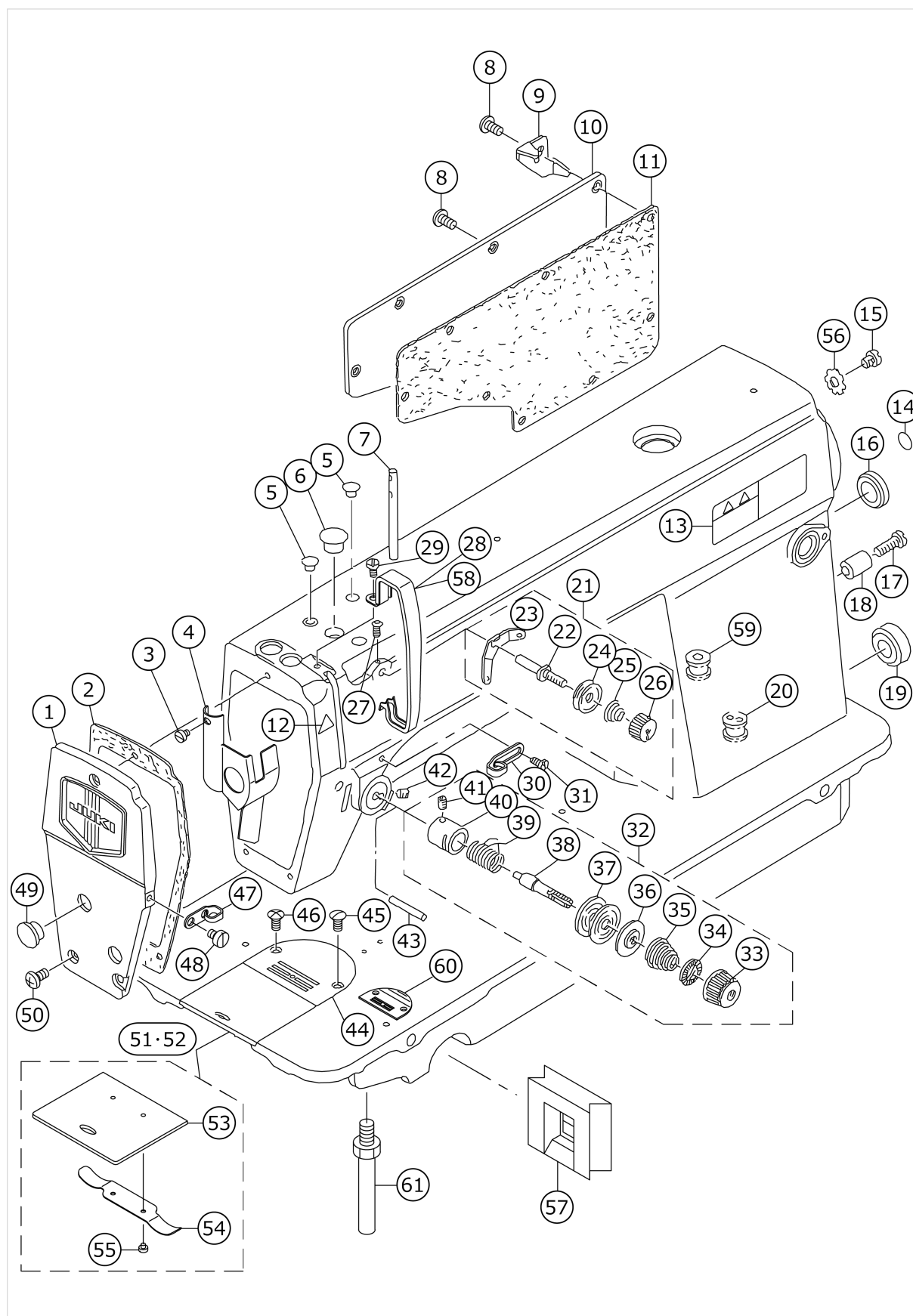


DDL-5550N-7 SERIES

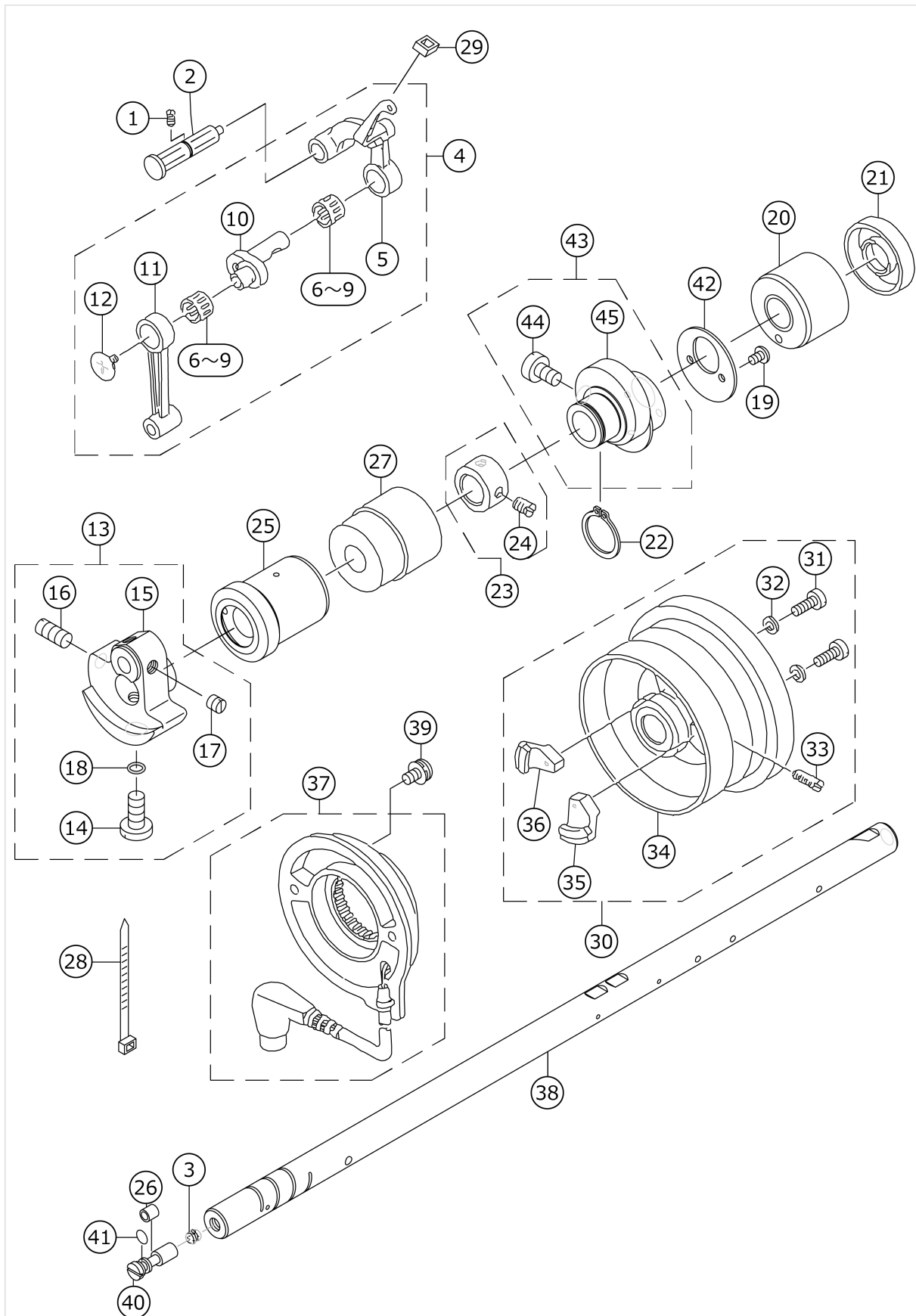
MACHINE FRAME & MISCELLANEOUS COVER COMPONENTS



No.	品番	品名	備考	子部品	消耗品	個数
1	11070851	FACE PLATE ASM.				1.00
2	11000304	FACE PLATE GASKET				1.00
3	SS6080410SP	SCREW 1/8-44 L=4				1.00
4	22900757	FACE PLATE OIL SHIELD ASM.				1.00
5	TA0850604R0	RUBBER PLUG				2.00
6	TA1250705R0	RUBBER PLUG				1.00
7	22958300	NEEDLE THREAD GUIDE PIN				1.00
8	SS4120915SP	SCREW 3/16-28 L=9				8.00
9	22954705	CORD FIXING METAL FITTING	EXCEPT DDL-5550N-7-00			1.00
10	22900401	WINDOW PLATE				1.00
11	11003308	GASKET				1.00
12	CM300200001	ATTENTION SEAL				1.00
13	CM301300001	SAFETY LABEL				1.00
14	22901805	GROUND MARK				1.00
15	SS4120615SP	SCREW 3/16-28 L=6				1.00
16	TA2000502R0	RUBBER PLUG				1.00
17	SS6121840SP	SCREW 3/16-28 L=18	FOR DDL-5550N-7-0B,-WB			1.00
18	22952501	BACK LEVER STOPPER	FOR DDL-5550N-7-0B,-WB			1.00
19	TA2101002R0	RUBBER PLUG				1.00
20	40111022	MAGNET CORD RUBBER	FOR DDL-5550N-7-0B,-WB			1.00
21	22945463	THREAD TENSION ASM. NO.1				1.00
22	22945406	THREAD TENSION POST		*		1.00
23	22945604	THREAD TENSION GUIDE		*		1.00
24	22945802	THREAD TENSION DISK		*		2.00
25	22945505	THREAD TENSION SPRING		*		1.00
26	22945703	THREAD TENSION NUT		*		1.00
27	SS4120615SP	SCREW 3/16-28 L=6				1.00
28	22900609	THREAD TAKE-UP LEVER COVER				1.00
29	SS4120615SP	SCREW 3/16-28 L=6				1.00
30	22920508	ARM THREAD GUIDE A				1.00
31	22921001	SCREW				1.00
32	22945356	THREAD TENSION ASM.				1.00
33	22921308	THREAD TENSION NUT		*		1.00
34	22921407	ROTATION STOPPER		*		1.00
35	22921704	THREAD TENSION SPRING A		*		1.00
36	22921803	DISK STOPPER		*		1.00
37	22921506	THREAD TENSION DISK		*		2.00
38	22921209	THREAD TENSION POST		*		1.00
39	22921605	THREAD TAKE-UP SPRING		*		1.00
40	22945307	THREAD TENSION POST BASE		*		1.00
41	SS8090670SP	SCREW 9/64-40 L=5.5		*		1.00
42	SS8150710TP	SCREW 15/64-28 L=7				1.00
43	22920904	PIN				1.00
44	B1109012IOB	THROAT PLATE (I)				1.00
45	SS2110920TP	SCREW 11/64-40 L=8.5				1.00
46	SS2110915SP	SCREW 11/64-40 L=8.5				1.00

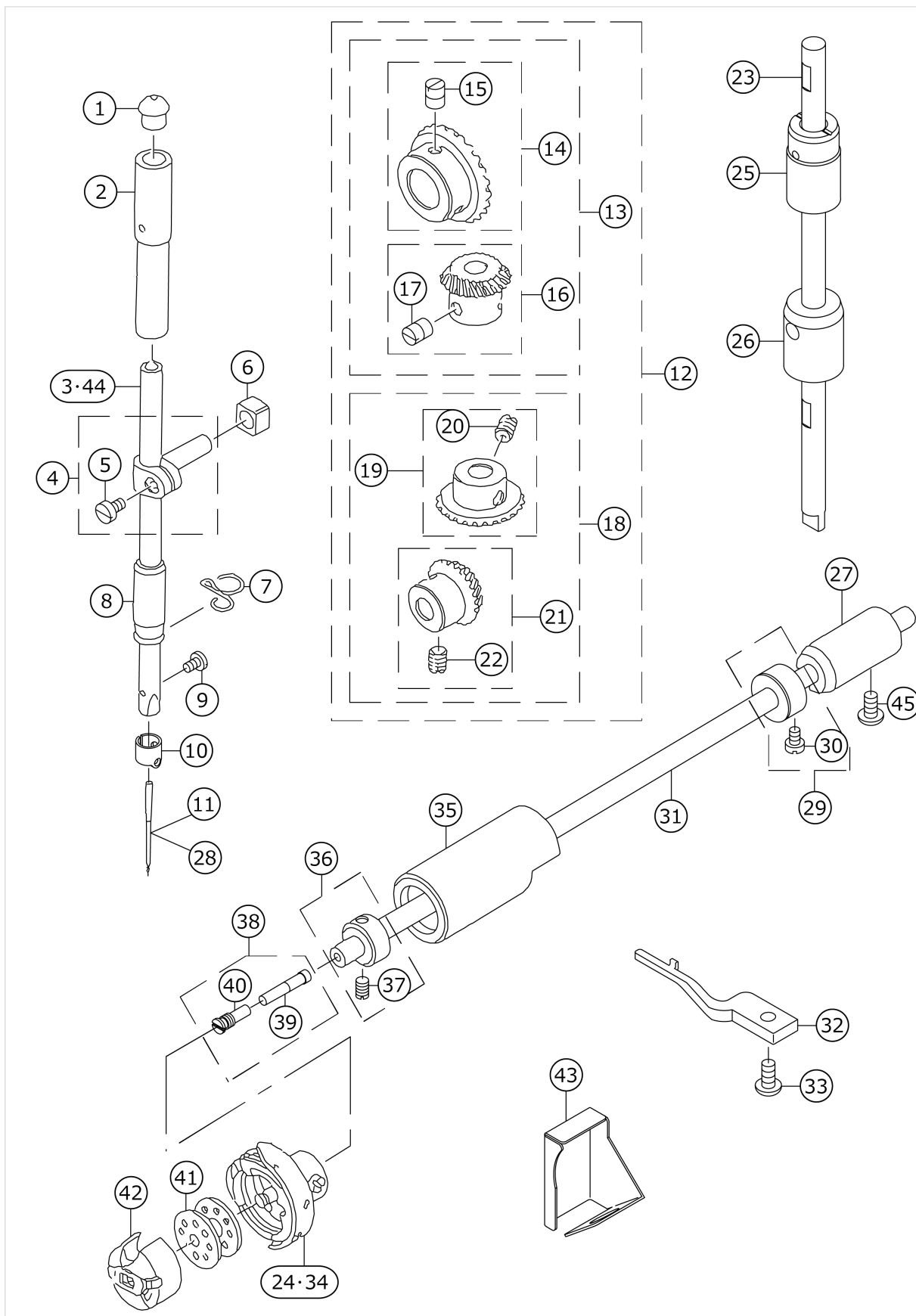
47	22920607	ARM THREAD GUIDE B				1.00
48	SS6110610TP	SCREW 11/64-40 L=6				1.00
49	TA1250406R0	RUBBER PLUG D=12.5 L=4				2.00
50	SS4120915SP	SCREW 3/16-28 L=9				3.00
51	22901250	SLIDE PLATE ASM.				1.00
52	22902753	SLIDE PLATE ASM.	FOR JH			1.00
53	22901201	SLIDE PLATE		*		1.00
54	22901300	SLIDE PLATE SPRING		*		1.00
55	SS6060210SP	SCREW 3/32-56 L=1.9		*		2.00
56	WT0530002KS	TOOTHED WASHER D=5.3				1.00
57	22935407	BED OIL SHIELD RUBBER				1.00
58	11415205	THREAD TAKE-UP LEVER COVER(JE)	FOR JE			1.00
59	11030202	RUBBER BUSHING	FOR DDL-5550N-7-00			1.00
60	B1109552000	THROAT PLATE	FOR JA			1.00
61	22901003	BED SCREW STUD				4.00

MAIN SHAFT COMPONENTS



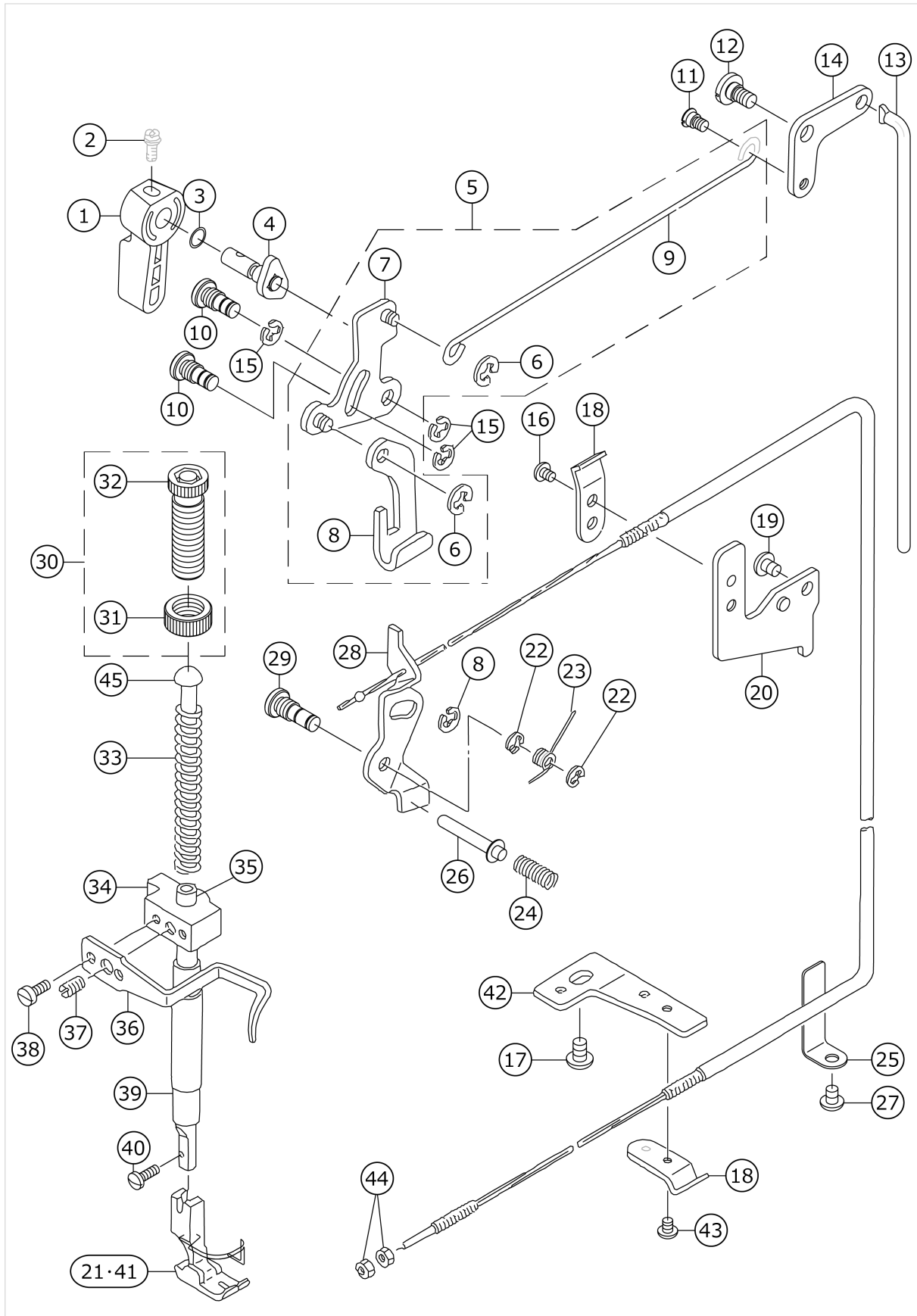
No.	品番	品名	備考	子部品	消耗品	個数
1	SS8151150TP	SCREW 15/64-28 L=10.5				1.00
2	22919559	THREAD TAKE-UP CRANK SHAFT ASM				1.00
3	11002904	ROLLER FELT				1.00
4	22918072	THREAD TAKE-UP LEVER COMPL.				1.00
5	22918064	THREAD TAKE-UP LEVER ASM.		*		1.00
6	22918403	NEEDLE BEARING A	SELECTIVE PARTS(A ~ D)	*		2.00
7	22918502	NEEDLE BEARING B	SELECTIVE PARTS(A ~ D)	*		2.00
8	22918601	NEEDLE BEARING C	SELECTIVE PARTS(A ~ D)	*		2.00
9	22918700	NEEDLE BEARING D	SELECTIVE PARTS(A ~ D)	*		2.00
10	22918106	NEEDLE BAR CRANK		*		1.00
11	22906606	NEEDLE BAR CRANK ROD		*		1.00
12	22918304	LEFT SCREW		*		1.00
13	40106606	COUNTER_WEIGHT_ASM.				1.00
14	SS7681650TP	SCREW 9/32-28 L=16		*		1.00
15	40106607	COUNTER_WEIGHT		*		1.00
16	SS8681650TP	SCREW 9/32-28 L=16		*		1.00
17	SS8660610TP	SCREW 1/4-40 L=6		*		2.00
18	RO044240100	RUBBER RING		*		1.00
19	SS4090615SP	SCREW 9/64-40 L=6				2.00
20	11002409	MAIN SHAFT BUSHING REAR				1.00
21	40105231	OIL SEAL				1.00
22	RC1850001KP	SNAP RING 18.5				1.00
23	22904155	MAIN SHAFT THRUST COLLAR ASM.				1.00
24	SS8660610TP	SCREW 1/4-40 L=6		*		2.00
25	22903207	MAIN SHAFT BUSHING FRONT				1.00
26	B1215552000	OIL ADJUSTING COLLAR				1.00
27	22903306	BUSHING INTERMEDIATE				1.00
28	EA9500B0100	CABLE BAND				1.00
29	22919203	OIL PROTECTING RUBBER				1.00
30	11071495	HAND WHEEL ASM.				1.00
31	SS6111210SP	SCREW 11/64-40 L=12		*		2.00
32	WP0450801SD	WASHER 4.5X10X0.8		*		2.00
33	SS8151550SP	SCREW 15/64-28 L=15		*		2.00
34	11071453	HAND WHEEL ASM.		*		1.00
35	M40071100AA	MAGNET FITTING BASE A ASM.		*		1.00
36	M40071100AB	MAGNET FITTING BASE B ASM.		*		1.00
37	22937965	DYNAMO STATOR				1.00
38	22903009	MAIN SHAFT				1.00
39	SL4051001MZ	SCREW M5 L=9.6				2.00
40	22903900	ADJUSTING PIN				1.00
41	RO029180100	RUBBER RING				1.00
42	22910103	THRUST COLLAR				1.00
43	22910053	FEED DRIVE ECCENTRIC CAM ASM.				1.00
44	SS6661110SP	SCREW 1/4-40 L=11		*		2.00
45	22910004	FEED DRIVE ECCENTRIC CAM		*		1.00

NEEDLE BAR, UPRIGHT SHAFT & HOOK DRIVING SHAFT COMPONENTS



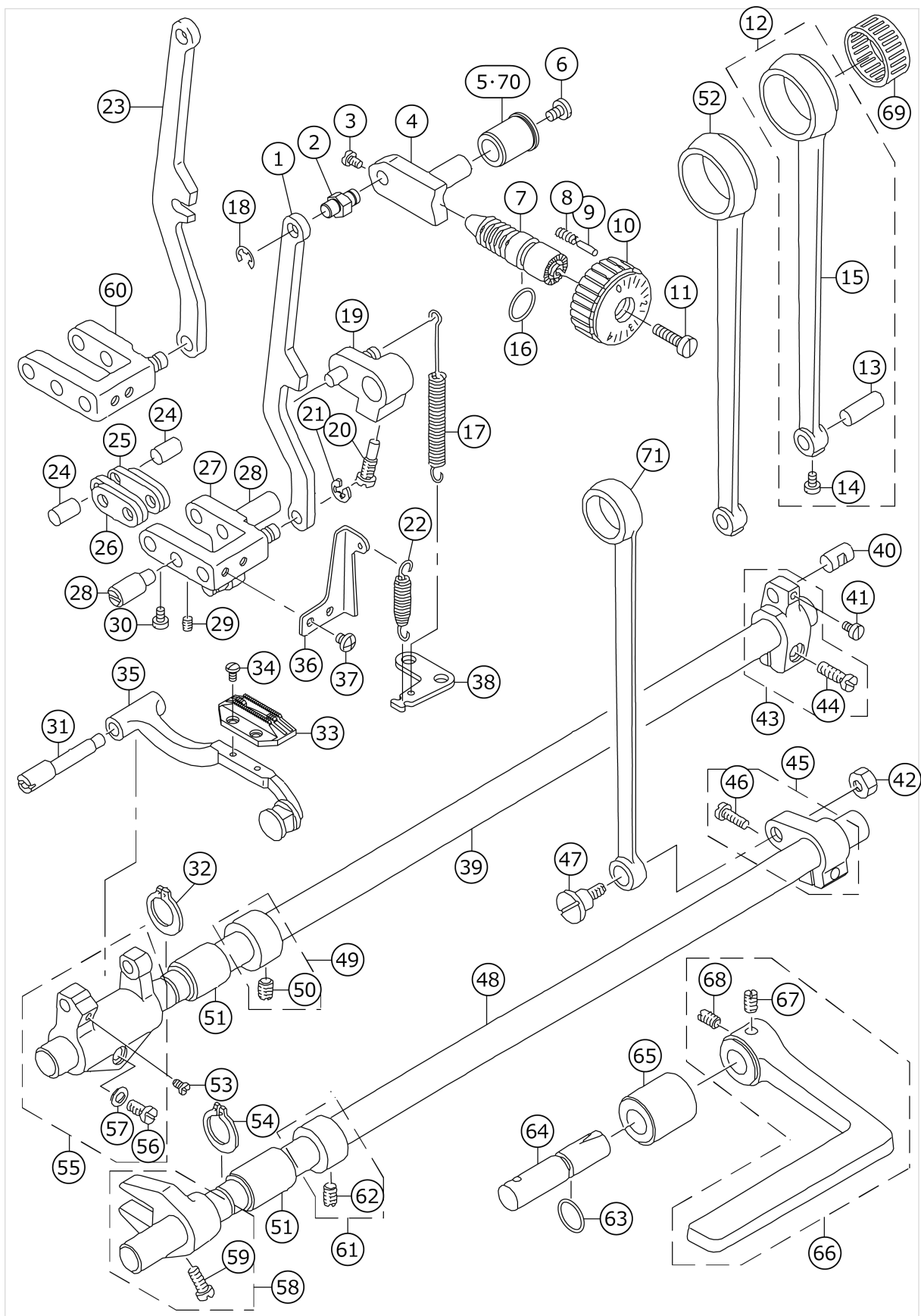
No.	品番	品名	備考	子部品	消耗品	個数
1	22901409	NEEDLE BAR UPPER BUSH CAP				1.00
2	22906101	NEEDLE BAR BUSHING UPPER				1.00
3	11035003	NEEDLE BAR				1.00
4	22906457	NEEDLE BAR HOLDER ASM.				1.00
5	SS6090670TP	SCREW 9/64-40 L=6		*		1.00
6	40090058	SLIDE BLOCK				1.00
7	22920805	NEEDLE BAR THREAD GUIDE				1.00
8	22906200	NEEDLE BAR BUSHING LOWER				1.00
9	SS7080510TP	SCREW 1/8-44 L=4.5				1.00
10	22906309	NEEDLE BAR THREAD GUIDE				1.00
11	MDB100B1400	NEEDLE DBX1 #14				1.00
12	B13061550C0	GEAR & PINION ASM.				1.00
13	B13061550B0	GEAR & PINION ASM. UPPER		*		1.00
14	B13050120A0	GEAR ASM.		*		1.00
15	SS8660810TP	SCREW 1/4-40 L=8		*		2.00
16	B13061550A0	PINION ASM.		*		1.00
17	SS8660810TP	SCREW 1/4-40 L=8		*		2.00
18	B13071550B0	GEAR & PINION ASM. LOWER		*		1.00
19	B13071550A0	GEAR ASM. LARGE		*		1.00
20	SS8660810TP	SCREW 1/4-40 L=8		*		2.00
21	B13081550A0	PINION ASM.		*		1.00
22	SS8660810TP	SCREW 1/4-40 L=8		*		2.00
23	22905004	UPRIGHT SHAFT				1.00
24	11141355	HOOK ASM.				1.00
25	22905103	UPRIGHT SHAFT BUSHING UPPER				1.00
26	11004207	UPRIGHT SHAFT BUSHING LOWER				1.00
27	22916308	HOOK DRIVING SHAFT BUSH REAR				1.00
28	MC200500750	NEEDLE 134 NM75	FOR JE			1.00
29	22917157	THRUST COLLAR ASM. REAR				1.00
30	SS6110420TP	SCREW 11/64-40 L=4.8		*		2.00
31	22916001	HOOK DRIVING SHAFT				1.00
32	11038809	BOBBIN CASE HOLDER				1.00
33	SS4110915TP	SCREW 11/64-40 L=9				1.00
34	11038650	HOOK ASM.	FOR JH			1.00
35	22916100	HOOK DRIVING SHAFT BUSH FRONT				1.00
36	22917058	THRUST COLLAR ASM. FRONT				1.00
37	SS8110410TP	SCREW 11/64-40 L=3.5		*		2.00
38	22916555	OIL SEAL SCREW ASM.				1.00
39	11015906	OIL WICK		*		1.00
40	22916506	SET SCREW		*		1.00
41	22932909	BOBBIN				1.00
42	11038759	BOBBIN CASE ASM.				1.00
43	22942601	OIL SHIELD				1.00
44	11141207	NEEDLE BAR	FOR JE			1.00
45	SS4120915SP	SCREW 3/16-28 L=9				1.00

HAND LIFTER COMPONENTS



No.	品番	品名	備考	子部品	消耗品	個数
1	22907802	HAND LIFTER				1.00
2	B1521555000	SCREW				1.00
3	RO037180100	RUBBER RING				1.00
4	22908552	HAND LIFTER CAM ASM.				1.00
5	22908354	KNEE LIFTING CROSS ROD ASM.				1.00
6	RE0500000K0	E-RING		*		2.00
7	22908156	LIFTING LINK ASM.		*		1.00
8	22908008	LIFTING PLATE		*		1.00
9	22908305	KNEE LIFTER SIDE ROD		*		1.00
10	22908701	LINK SHAFT				2.00
11	22908909	HINGE SCREW				1.00
12	SD0720331SP	HINGE SCREW D=7.24 H=3.3				1.00
13	22909006	KNEE LIFTER CONNECTING ROD				1.00
14	22908800	KNEE LIFTER LINK				1.00
15	RE0500000K0	E-RING				3.00
16	SS4110515SP	SCREW 11/64-40 L=5				1.00
17	SS4150915SP	SCREW 15/64-28 L=9	FOR DDL-5550N-7-00			1.00
18	22944508	WIRE PRESSER A				2.00
19	SS4120615SP	SCREW 3/16-28 L=6				1.00
20	22944607	WIRE PRESSER BASE UPPER				1.00
21	B15245520BA	PRESSER FOOT ASM.	FOR JA			1.00
22	RE0500000K0	E-RING				2.00
23	22920201	RETURN SPRING				1.00
24	22920409	THREAD RELEASE PIN SPRING				1.00
25	22945109	WIRE CABLE SUPPORT				1.00
26	22920300	THREAD RELEASE SUPPORTING PIN				1.00
27	SS4120615SP	SCREW 3/16-28 L=6				1.00
28	22944854	THREAD RELEASE WIRE ASM.				1.00
29	22920102	TENSION RELEASE SHAFT				1.00
30	22907554	PRESSER SPRING REG NUT ASM.				1.00
31	22907604	PRESSER SPRING REGULATOR NUT		*		1.00
32	22907505	PRESSER SPRING REGULATOR		*		1.00
33	22907406	PRESSER SPRING				1.00
34	22907208	PRESSER BAR GUIDE BRACKET				1.00
35	40017805	PRESSER BAR				1.00
36	22907307	THREAD GUIDE				1.00
37	SS8660810TP	SCREW 1/4-40 L=8				1.00
38	SS6090910SP	SCREW 9/64-40 L=9				2.00
39	40060989	PRESSER BAR BUSHING LOWER				1.00
40	SS7091110TP	SCREW 9/64-40 L=10.5				1.00
41	B15240120BA	PRESSER FOOT ASM.				1.00
42	22944706	WIRE PRESSER BASE LOWER				1.00
43	SS4110515SP	SCREW 11/64-40 L=5				1.00
44	NS6620310SP	NUT 3/16-32				2.00
45	22907703	PRESSER GUIDE BAR				1.00

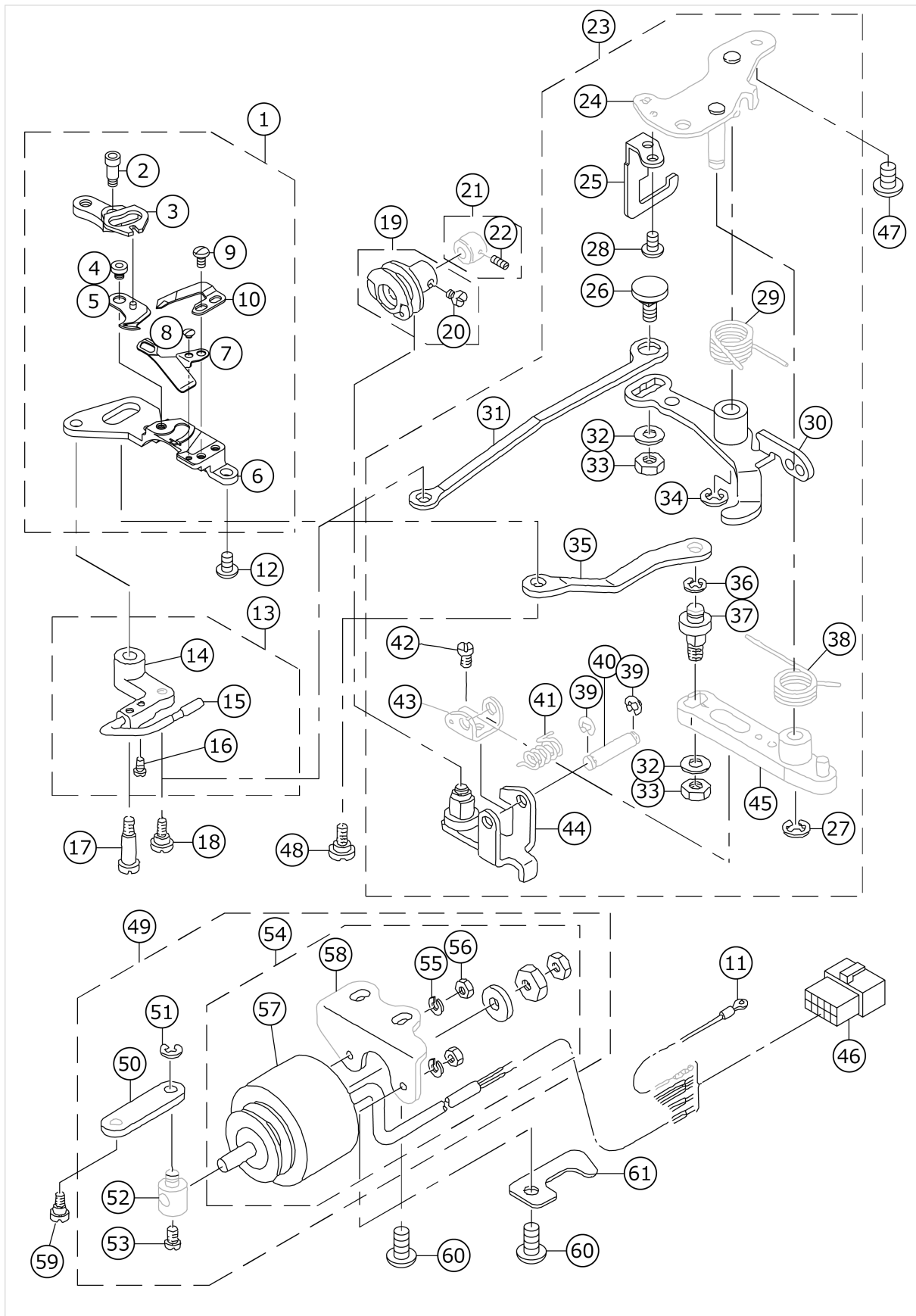
FEED MECHANISM COMPONENTS



No.	品番	品名	備考	子部品	消耗品	個数
1	22941108	FEED ADJUST ROD	FOR DDL-5550N-7-0B,-WB			1.00
2	22911507	WALKING FOOT PIN C				1.00
3	SS6090670TP	SCREW 9/64-40 L=6				2.00
4	22911606	FEED REGULATOR				1.00
5	22911705	FEED REGULATOR BUSHING	FOR DDL-5550N-7-00			1.00
6	SS7120770SH	SCREW 3/16-28 L=7				1.00
7	22911804	FEED REGULATOR SCREW				1.00
8	22912109	FEED REGULATOR PIN SPRING				1.00
9	22912000	FEED REGULATOR PIN				1.00
10	22940506	FEED DIAL				1.00
11	SS6121860SP	SCREW 3/16-28 L=18				1.00
12	22910251	ROCKER SHAFT CONNECTING ROD				1.00
13	22911101	WALKING FOOT PIN C		*		1.00
14	SS6090620TP	SCREW		*		1.00
15	22910202	ROCKER SHAFT CONNECTING ROD		*		1.00
16	RO092270200	RUBBER RING				1.00
17	11010311	FEED REVERSE SPRING				1.00
18	RE0500000K0	E-RING				1.00
19	22912257	FEED REVERSE ARM ASM.				1.00
20	22912505	FEED REVERSE ARM SCREW				1.00
21	RE0500000K0	E-RING				1.00
22	11037405	SPRING				1.00
23	22911408	FEED REGULATOR CONNCTING ROD	FOR DDL-5550N-7-00			1.00
24	22910905	WALKING FOOT PIN A				2.00
25	40089548	CONNECTING LINK B				2.00
26	40093417	CONNECTING LINK A				2.00
27	22940951	FEED ADJUST LINK ASM.	FOR DDL-5550N-7-0B,-WB			1.00
28	22910806	ADJUST LINK FULCRUM SHAFT A				2.00
29	SS8150710TP	SCREW 15/64-28 L=7				2.00
30	SS6090620TP	SCREW				2.00
31	22940803	FEED BAR SHAFT				1.00
32	RC0150001KP	RETAINING RING 13.8				1.00
33	B1613012I00	FEED DOG I				1.00
34	SS4080620TP	SCREW 1/8-44 L=6				2.00
35	22940753	FEED BAR ASM.				1.00
36	22941306	REGULATOR LINK SPRING HOOK				1.00
37	SS4110515SP	SCREW 11/64-40 L=5				2.00
38	22913701	FEED SPRING HOOK				1.00
39	22912901	FEED ROCKER SHAFT				1.00
40	22911002	WALKING FOOT PIN B				1.00
41	SS6090620TP	SCREW				1.00
42	NS6680410SP	NUT 9/32-28				1.00
43	22910350	FEED ROCKER SHAFT CRANK ASM.				1.00
44	SS6121610SP	SCREW 3/16-28 L=15.5		*		1.00
45	22915151	FEED ARM COMPL.				1.00
46	SS7121610SP	SCREW 3/16-28 L=15.5		*		1.00

47	SD1000801SH	HINGE SCREW D=10 H=8				1.00
48	22915201	FEED DRIVING SHAFT				1.00
49	22904155	MAIN SHAFT THRUST COLLAR ASM.				1.00
50	SS8660610TP	SCREW 1/4-40 L=6		*		2.00
51	22913008	FEED ROCKER SHAFT BUSHING				2.00
52	11011400	HORIZONTAL FEED ROD (A)	FOR JE,JA			1.00
53	SS7110740TP	SCREW 11/64-40 L=7				1.00
54	RC0150001KP	RETAINING RING 13.8				1.00
55	22940654	FEED ROCKER ASM.				1.00
56	SS7121410TP	SCREW 3/16-28 L=14		*		1.00
57	WP0480856SP	WASHER 4.8X8.4X0.8		*		1.00
58	22915359	DRIVING SHAFT CRANK ASM.				1.00
59	SS7111120SP	SCREW 11/64-40 L=10.5		*		1.00
60	22910459	FEED ADJUSTING LINK ASM.	FOR DDL-5550N-7-00			1.00
61	22904155	MAIN SHAFT THRUST COLLAR ASM.				1.00
62	SS8660610TP	SCREW 1/4-40 L=6		*		2.00
63	RO078190100	RUBBER RING				1.00
64	40100084	FEED LEVER SHAFT				1.00
65	22912802	FEED LEVER SHAFT BUSHING				1.00
66	22912752	FEED LEVER ASM.				1.00
67	SM8061050TP	SCREW		*		1.00
68	SM8061010TP	SCREW		*		1.00
69	B1636581C00	NEEDLE BEARING	SELECTIVE PART (FOR JE,JA)			1.00
70	11009800	FEED REGULATOR BUSHING	FOR DDL-5550N-7-0B,-WB			1.00
71	22915003	CONNECTING ROD				1.00

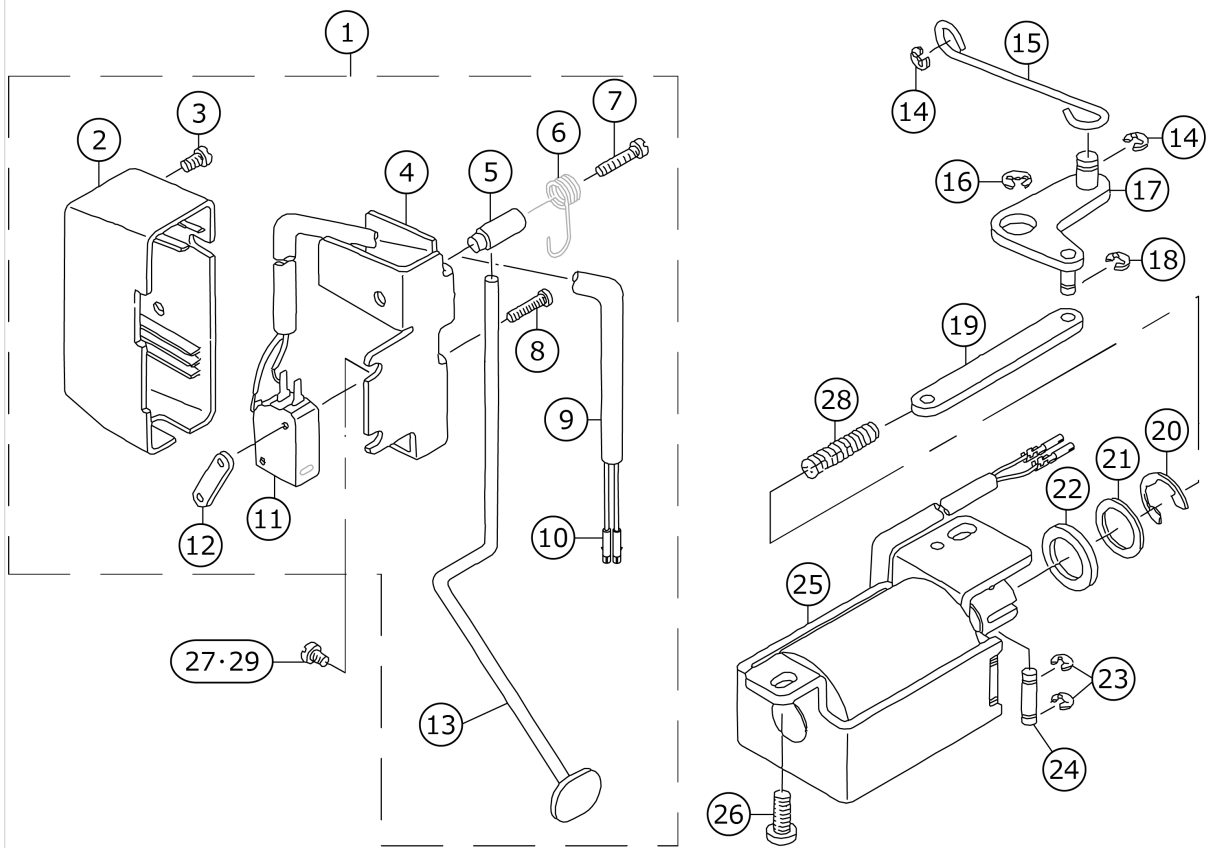
THREAD TRIMMER COMPONENTS



No.	品番	品名	備考	子部品	消耗品	個数
1	11040359	KNIFE UNIT				1.00
2	SD0460703TP	HINGE SCREW D=4.6 H=7		*		1.00
3	11040508	FORKED BASE FOR KNIFE		*		1.00
4	11040409	MOVING KNIFE HINGE SCREW		*		1.00
5	11040052	MOVING KNIFE ASM.		*		1.00
6	22947907	KNIFE MOUNTING BASE		*		1.00
7	11313103	THREAD GUIDE FOR KNIFE		*		1.00
8	SS2060210SP	SCREW 3/32-56 L=2.3		*		1.00
9	SS4080620TP	SCREW 1/8-44 L=6		*		2.00
10	D2406555D0H	COUNTER KNIFE		*		1.00
11	22951552	GROUND WIRE ASM.				1.00
12	SS4110715SP	SCREW 11/64-40 L=7				1.00
13	22950257	PICKER ARM ASM.				1.00
14	22950208	PICKER ARM		*		1.00
15	22950356	HOOK THREAD PRESSER ASM.		*		1.00
16	SS6090510TP	SCREW 9/64-40 L=5.0		*		2.00
17	SD0641451SP	HINGE SCREW D=6.35 H=14.5				1.00
18	SD0630275SP	HINGE SCREW D=6.35 H=2.7				1.00
19	22950851	THREAD TRIMMER CAM ASM.				1.00
20	SS6660610TP	SCREW 1/4-40 L=6		*		2.00
21	22950950	CAM COLLAR ASM.				1.00
22	SS8110520TP	SCREW 11/64-40 L=4.5		*		1.00
23	22949762	THREAD TRIMMER DRIVING UNIT				1.00
24	22949754	BASE PLATE ASM.		*		1.00
25	22950703	DRIVING ARM STOPPER		*		1.00
26	22950000	PICKER LINK PIN		*		1.00
27	RE0600000K0	E-RING 6		*		1.00
28	SS4110715SP	SCREW 11/64-40 L=7		*		2.00
29	22949408	CLUTCH SPRING		*		1.00
30	40087245	CLUTCH PLATE ASM.		*		1.00
31	22950109	PICKER LINK		*		1.00
32	WP0621016SH	WASHER		*		2.00
33	NS6150430SP	NUT 15/64-28		*		2.00
34	RE0600000K0	E-RING 6		*		1.00
35	22948301	MOVING KNIFE LINK		*		1.00
36	RE0500000K0	E-RING		*		1.00
37	22948400	MOVING KNIFE LINK PIN		*		1.00
38	11043700	KNIFE RETURN SPRING B		*		1.00
39	RE0400000K0	E-RING 4		*		2.00
40	22949101	ROLLER FULCRUM SHAFT		*		1.00
41	22949200	ROLLER RETURN SPRING		*		1.00
42	SS7090610SP	SCREW 9/64-40 L=6		*		1.00
43	22949002	ROLLER ARM SEAT		*		1.00
44	11040953	ROLLER ARM ASM.		*		1.00
45	11040854	KNIFE DRIVING ARM ASM.		*		1.00
46	HK034610140	HOUSING 14P				1.00
47	SS4150915SP	SCREW 15/64-28 L=9				2.00
48	SD0640631TP	HINGE SCREW D=6.35 H=6.3				1.00
49	22951164	SOLENOID UNIT				1.00
50	22949903	CLUTCH LINK		*		1.00

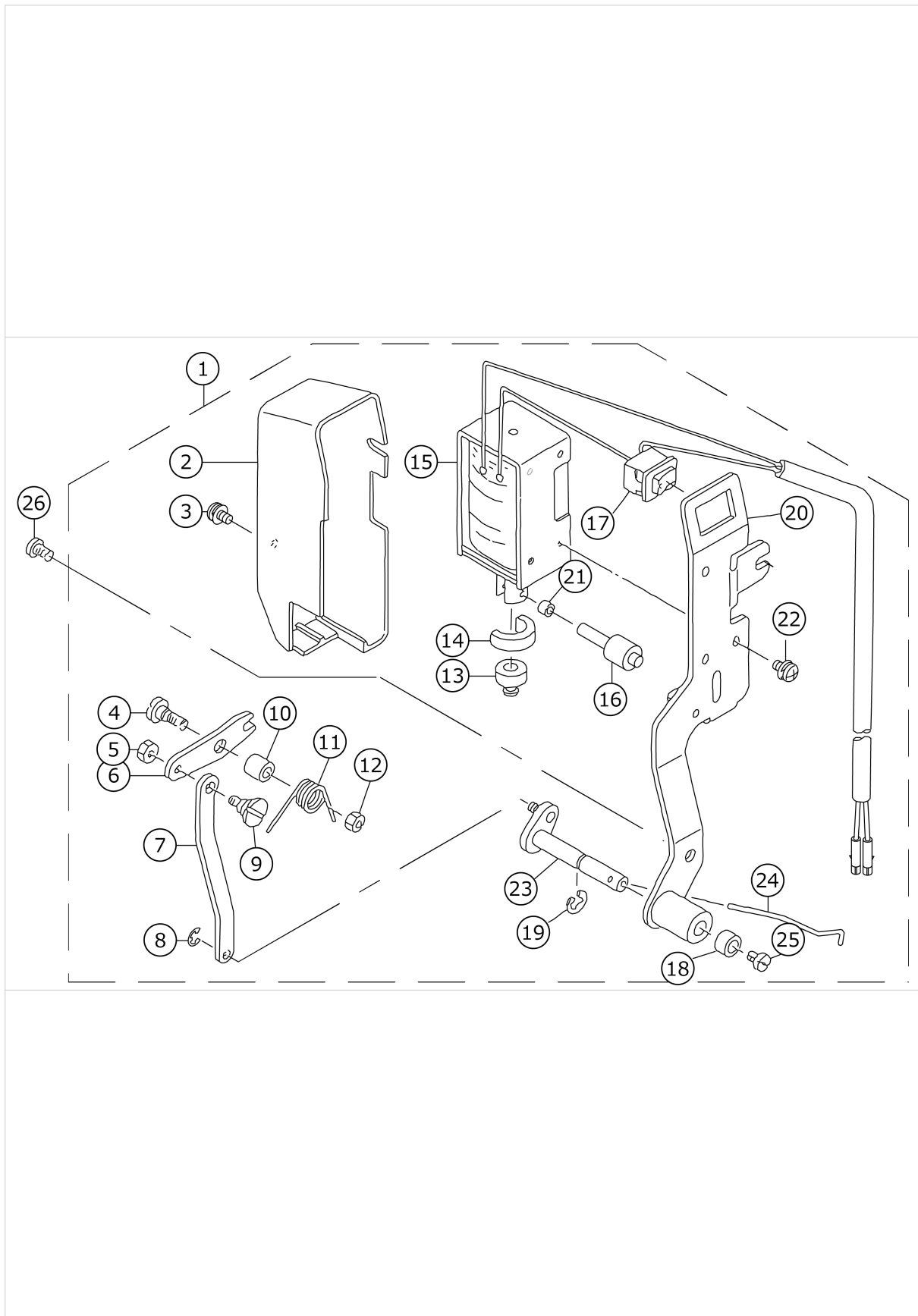
51	RE0500000K0	E-RING		*		1.00
52	22951008	SOLENOID PIN		*		1.00
53	SS6110710TP	SCREW 11/64-40 L=6.5		*		1.00
54	40106930	THREAD TRIMMER SOLENOID ASM.		*		1.00
55	WS0410002KP	SPRING WASHER		*		2.00
56	NM6040001SE	NUT M4		*		2.00
57	40106931	THREAD TRIMMER SOLENOID		*		1.00
58	22951404	SOLENOID BASE		*		1.00
59	SD0600361SP	HINGE SCREW D=6 H=3.6				1.00
60	SS4151215SP	SCREW 15/64-28 L=12				2.00
61	22924807	PIPE HOLDER LOWER				1.00

AUTOMATIC REVERSE FEED COMPONENTS



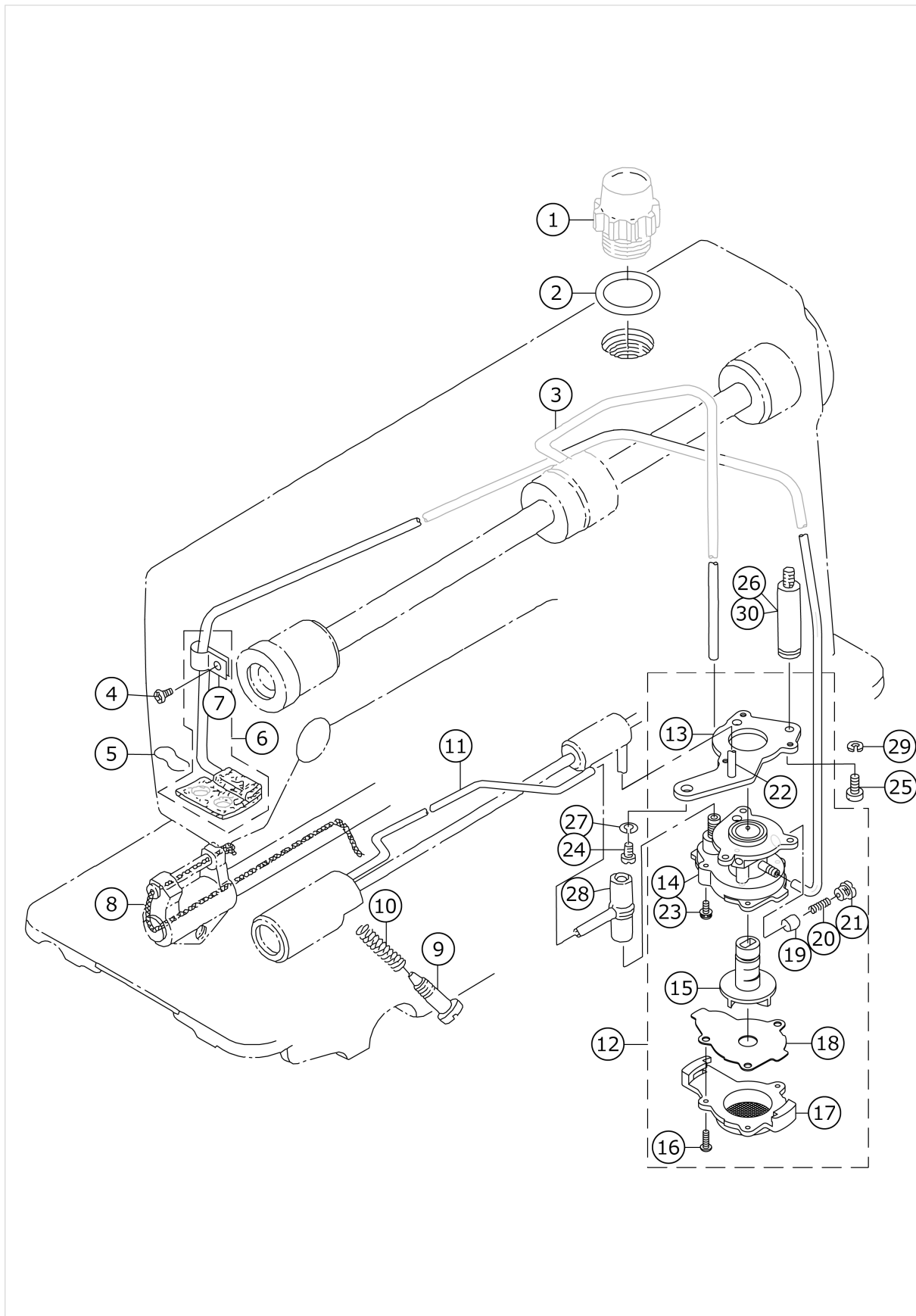
No.	品番	品名	備考	子部品	消耗品	個数
1	11075058	REVERSE FEED SWITCH ASM.				1.00
2	22954606	REVERSE FEED SWITCH COVER		*		1.00
3	SM4040655SP	SCREW M4 L=6		*		1.00
4	22954101	REVERSE FEED SWITCH BASE		*		1.00
5	22954200	REVERSE FEED SWITCH SHAFT		*		1.00
6	22954309	REVERSE FEED SWITCH SPRING		*		1.00
7	SM4041655SP	SCREW M4 L=16		*		1.00
8	SM4031501SC	SCREW M3 L=15		*		2.00
9	HW500070000	2-CORE CABTYRE CORD		*		1.31
10	HK03464000B	PIN CONTACT		*		2.00
11	HA001900000	MICROSWITCH		*		1.00
12	22954408	STOPPER PLATE		*		1.00
13	22954507	REVERSE FEED SWITCH LEVER		*		1.00
14	RE0500000KP	E-RING 5				2.00
15	11101300	REVERSE FEED CONNECTING SHAFT				1.00
16	RE0900000K0	E-RING 9				1.00
17	22953657	AUTO-BACK ARM ASM.				1.00
18	RE0400000KP	E-RING 4				1.00
19	22953905	CONNECTING LINK				1.00
20	RE1200000K0	E-RING 12				1.00
21	WP1602616SZ	WASHER 16X24X2.6				1.00
22	D2468555B00	RUBBER PLUNGER				1.00
23	RE0400000K0	E-RING 4				2.00
24	22953509	REVERSE FEED PLUNGER ARM PIN				1.00
25	40085585	REVERSE FEED SOLENOID ASM.				1.00
26	SS4151215SP	SCREW 15/64-28 L=12				2.00
27	SS4120915SP	SCREW 3/16-28 L=9				1.00
28	11217601	WALKING FOOT SPRING				1.00
29	SS4120615SP	SCREW 3/16-28 L=6	FOR DDL-5550N-7-0B			1.00

WIPER COMPONENTS



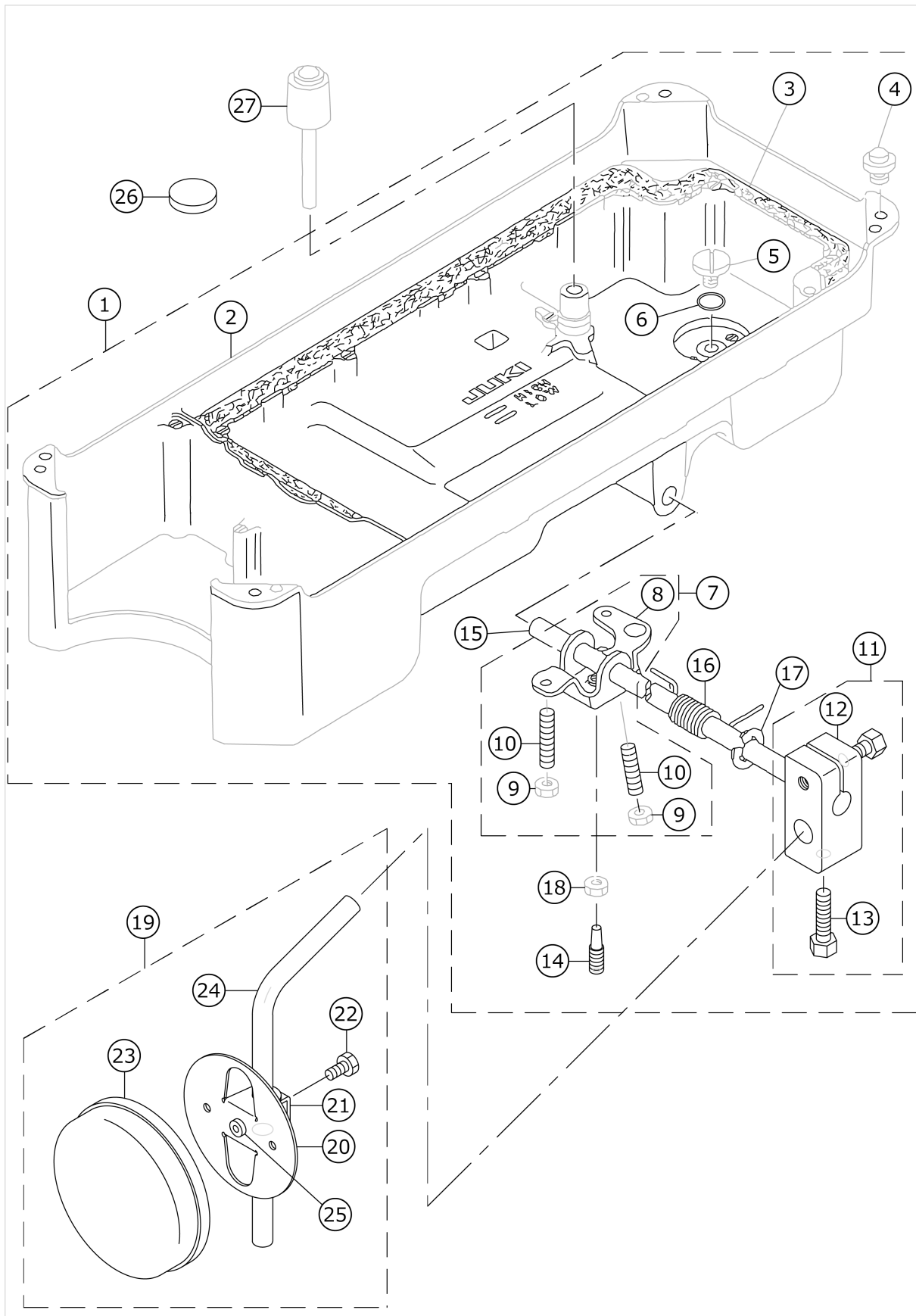
No.	品番	品名	備考	子部品	消耗品	個数
1	22955553	WIPER ASM.				1.00
2	22955504	WIPER COVER		*		1.00
3	SL4030631SC	SCREW M3X6		*		1.00
4	SD0650321TP	HINGE SCREW D=6.5 H=3.2		*		1.00
5	NS6090310SP	NUT 9/64-40		*		1.00
6	22956106	WIPER LINK A		*		1.00
7	22956403	WIPER LINK B		*		1.00
8	RE0250000K0	E-RING 2.5		*		1.00
9	22956908	WIPER LINK B HINGE SCREW		*		1.00
10	22956205	WIPER HINGE SCREW COLLAR		*		1.00
11	22956304	WIPER SPRING		*		1.00
12	NS6110310SP	NUT 11/64-40		*		1.00
13	22955900	WIPER RUBBER A		*		1.00
14	22956007	WIPER RUBBER B		*		1.00
15	40106936	WIPER SOLENOID ASM.		*		1.00
16	22957104	WIPER SOLENOID SHAFT		*		1.00
17	HA00600000A	SWITCH		*		1.00
18	22956809	WIPER COLLAR		*		1.00
19	RE0500000K0	E-RING		*		1.00
20	11110152	WIPER BASE ASM.		*		1.00
21	22957203	WIPER LINK COLLAR		*		1.00
22	SL4030641SE	SCREW		*		3.00
23	40041419	WIPER LINK C ASM.		*		1.00
24	22957005	WIPER		*		1.00
25	SS6090540SP	SCREW 9/64-40 L=5.0		*		1.00
26	SS4120915SP	SCREW 3/16-28 L=9				1.00

OIL LUBRICATION COMPONENTS



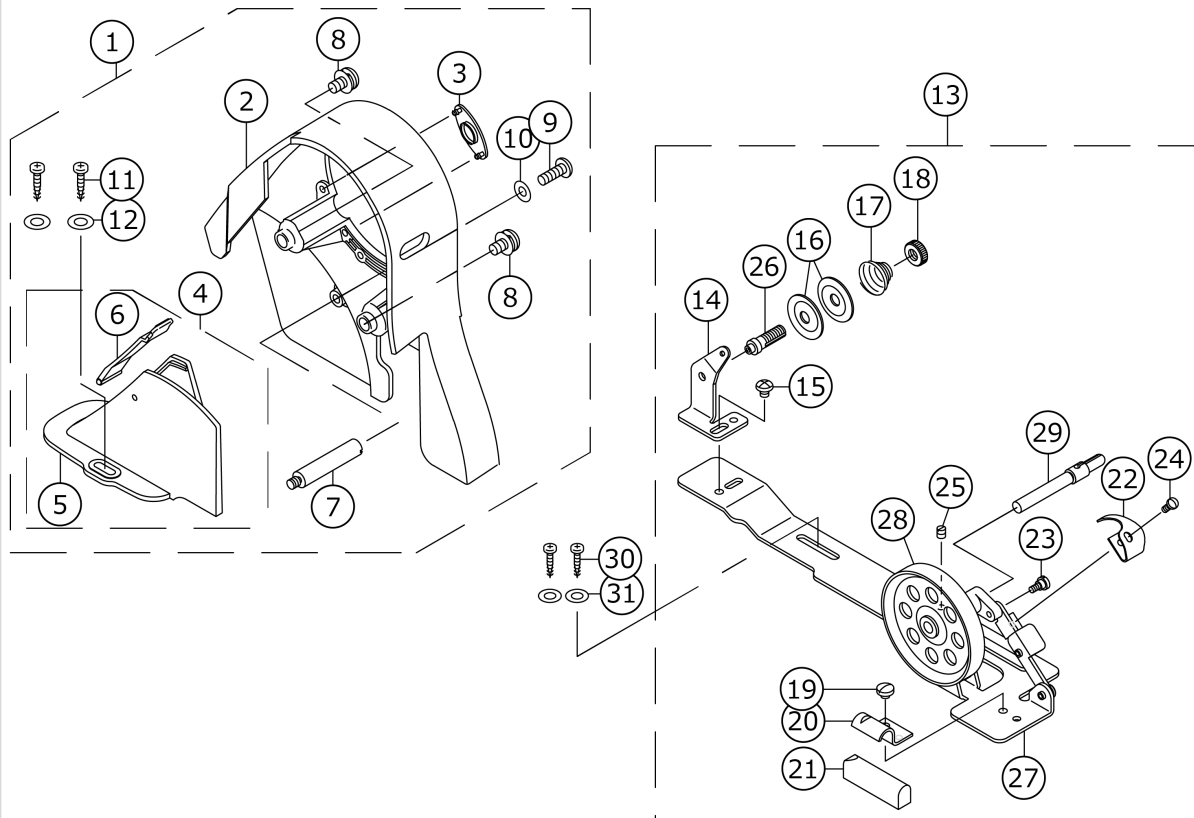
No.	品番	品名	備考	子部品	消耗品	個数
1	22947006	OIL SIGHT WINDOW				1.00
2	RO195240100	RUBBER RING				1.00
3	22924401	MAIN SHAFT OIL TUBE				1.00
4	SS4120615SP	SCREW 3/16-28 L=6				1.00
5	22925101	OIL FELT PRESSER				1.00
6	22924153	RETURN PIPE ASM.				1.00
7	22924302	RETURN PIPE HOLDER		*		1.00
8	CQ252000000	OIL WICK				0.30
9	22925002	OIL REGULATOR SCREW				1.00
10	22924906	OIL REGULATOR SCREW SPRING				1.00
11	22924500	HOOK OIL TUBE				1.00
12	22923056	OIL PUMP ASM.				1.00
13	22923312	OIL PUMP INSTALLING BASE		*		1.00
14	22923015	OIL PUMP		*		1.00
15	22923700	IMPELLER		*		1.00
16	SE4301041SR	SCREW D=3 L=10		*		3.00
17	22923205	PUMP BODY COVER		*		1.00
18	22923809	PUMP BODY SUPPORT PLATE		*		1.00
19	22923403	PLUNGER		*		1.00
20	22923601	PLUNGER SPRING		*		1.00
21	22923502	PLUNGER SCREW		*		1.00
22	22923908	HOOK DRIVING SHAFT OILING PIPE		*		1.00
23	SL4030851SF	SCREW M3 L=8		*		3.00
24	SS4150915SP	SCREW 15/64-28 L=9				1.00
25	SS6111010TP	SCREW 11/64-40 L=9.5				1.00
26	22947105	PUMP BODY STRUT	FOR DDL-5550N-7-0B,-WB			1.00
27	WS0651310KP	SPRING WASHER 6.5X11X1.3	FOR DDL-5550N-7-0B,-WB			1.00
28	22924609	RUBBER JOINT				1.00
29	WS0451040KP	SPRING WASHER 4.5X8.5X1	FOR DDL-5550N-7-0B,-WB			1.00
30	22924005	PUMP BODY STRUT	FOR DDL-5550N-7-00			1.00

OIL RESERVOIR COMPONENTS



No.	品番	品名	備考	子部品	消耗品	個数
1	11047057	OIL RESERVOIR ASM.				1.00
2	11023017	OIL RESERVOIR		*		1.00
3	11024700	GASKET		*		1.00
4	11047107	RUBBER CUSHION		*		4.00
5	SS6700710SH	SCREW 5/16-24 L=7		*		1.00
6	RO098240100	RUBBER RING		*		1.00
7	22932156	KNEE LIFTER ROTATION ARM ASM.		*		1.00
8	22932107	KNEE LIFTER ROTATION ARM		*		1.00
9	NM6060001SE	NUT M6		*		2.00
10	SM8063012TR	SCREW M6 L=30		*		2.00
11	22932453	BRACKET ASM.		*		1.00
12	22932404	BRACKET		*		1.00
13	22934707	SCREW		*		2.00
14	40101720	SCREW_M6		*		1.00
15	22932305	KNEE PRESS ROD		*		1.00
16	22932206	SPRING		*		1.00
17	RE1000000K0	E-RING 10		*		1.00
18	NM6060001SE	NUT M6		*		1.00
19	22934251	KNEE PAD PLATE ASM.				1.00
20	22934202	KNEE PAD PLATE		*		1.00
21	22934301	KNEE PAD PLATE SUPPORT		*		1.00
22	SM9061203SE	SCREW M6 L=12		*		1.00
23	22934509	KNEE PAD PLATE COVER		*		1.00
24	22934608	KNEE PAD UPRIGHT SHAFT		*		1.00
25	22934400	KNEE PAD PLATE RUBBER		*		1.00
26	B8228125000	OIL RESERVOIR MAGNET				1.00
27	11024304	KNEE PRESS LIFTER ROD				1.00

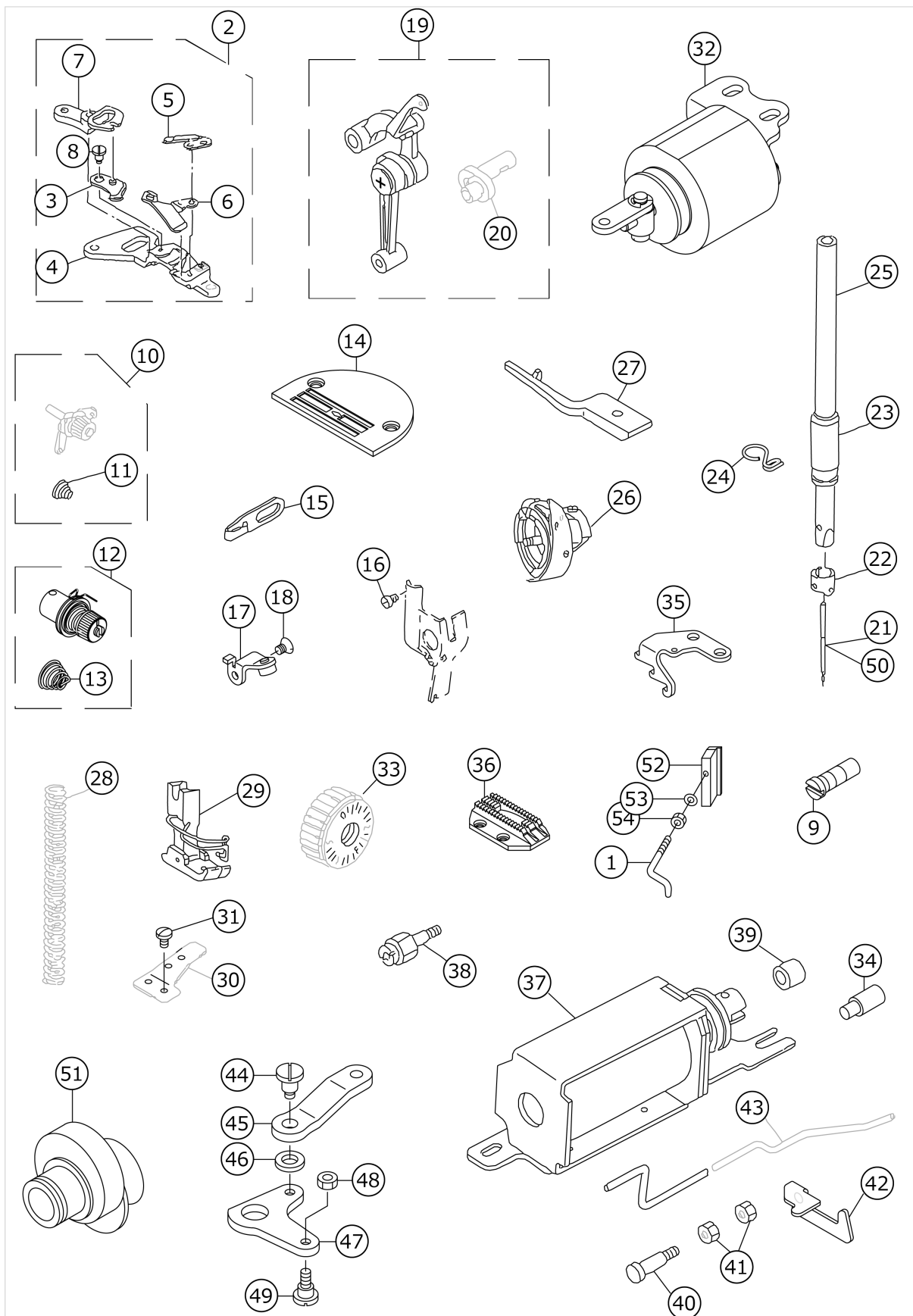
BELT COVER & BOBBIN COMPONENTS



No.	品番	品名	備考	子部品	消耗品	個数
1	22933451	BELT COVER ASM.				1.00
2	22933402	BELT COVER A		*		1.00
3	22933501	BELT COVER A CAP		*		1.00
4	22933659	BELT COVER B COMPL.		*		1.00
5	22933600	BELT COVER B		*		1.00
6	22933758	BELT COVER B LID ASM.		*		1.00
7	22933907	BELT COVER STRUT		*		1.00
8	22934004	SET SCREW		*		2.00
9	SS4121415SP	SCREW 3/16-28 L=14		*		1.00
10	WP0501016SD	WASHER 5X10.5X1		*		1.00
11	SK3412000SC	WOOD SCREW D=4.1 L=20		*		2.00
12	WP0450826SC	WASHER 4.5X10X0.8		*		2.00
13	22927354	BOBBIN WINDER COMPL.				1.00
14	22928501	THREAD TENSION POST BASE		*		1.00
15	SS4110515SP	SCREW 11/64-40 L=5		*		1.00
16	22928907	THREAD TENSION DISK		*		2.00
17	22929004	THREAD TENSION SPRING		*		1.00
18	22928808	NUT		*		1.00
19	SS7110350SP	SCREW 11/64-40 L=3.5		*		1.00
20	22928402	CONTROL RUBBER HOLDING PLATE		*		1.00
21	22928303	CONTROL RUBBER		*		1.00
22	22928105	BOBBIN PRESSER		*		1.00
23	SD0490261SP	HINGE SCREW D=4.9 H=2.6		*		1.00
24	SS7081310SP	SCREW 1/8-44 L=12.5		*		1.00
25	SS8110510SP	SCREW 11/64-40 L=5		*		1.00
26	22928709	THREAD TENSION POST		*		1.00
27	22927305	BOBBIN WINDER BASE		*		1.00
28	22927404	BOBBIN WINDER		*		1.00
29	22927602	BOBBIN WINDER SPINDLE		*		1.00
30	SK3412000SC	WOOD SCREW D=4.1 L=20				2.00
31	WP0450826SC	WASHER 4.5X10X0.8				2.00

No.	品番	品名	備考	子部品	消耗品	個数
1	22930358	THREAD STAND ASM.				1.00
2	40062684	SPOOL PIN ASM.		*		1.00
3	22931000	SPOOL PIN		*		2.00
4	22931109	SPOOL RETAINER		*		2.00
5	WS0510002KN	SPRING WASHER		*		2.00
6	NM6050001SE	NUT M5		*		2.00
7	22930705	THREAD GUIDE ARM JOINT		*		2.00
8	22931406	SPOOL REST ROD RUBBER CAP		*		1.00
9	22930507	SPOOL REST ARM		*		1.00
10	22930408	SPOOL REST ROD UPPER		*		1.00
11	22931307	SPOOL REST ROD JOINT		*		1.00
12	SM4051405SE	SCREW M5 L=14		*		2.00
13	NM6050001SE	NUT M5		*		2.00
14	22930309	SPOOL REST ROD LOWER		*		1.00
15	22930556	THREAD STANDING ARM ASM.		*		1.00
16	22930903	SPOOL REST CUSHION		*		2.00
17	22930804	SPOOL REST		*		2.00
18	NM6160511SE	NUT M16X1.5		*		2.00
19	WP1612616SE	WASHER 16X30X2.6		*		2.00
20	WS1643202KR	SPRING WASHER		*		1.00
21	SM6061610SC	SCREW M6 L=16		*		2.00

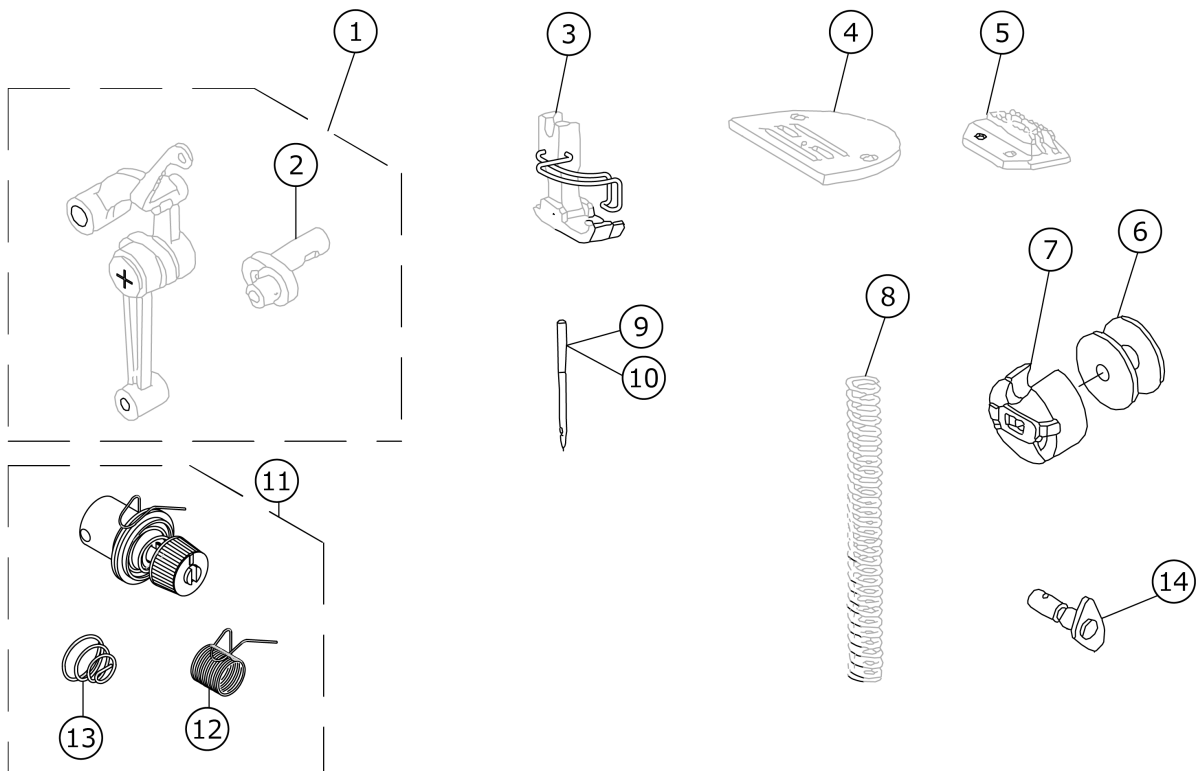
EXCLUSIVE PARTS FOR DDL-5550NH-7



No.	品番	品名	備考	子部品	消耗品	個数
1	11305513	ARM THREAD GUIDE C				1.00
2	11095551	KNIFE UNIT				1.00
3	11409257	MOVING KNIFE J ASM.		*		1.00
4	11095502	KNIFE MOUNT BASE		*		1.00
5	11409604	FIX KNIFE		*		1.00
6	11095403	KNIFE THREAD GUIDE		*		1.00
7	11095601	KNIFE BRANCH		*		1.00
8	SD0500131TP	HINGE SCREW D=5 H=1.25		*		1.00
9	B1213552000A	OIL ADJUSTING PIN				1.00
10	22963458	THREAD TENSION ASM.				1.00
11	22963409	THREAD TENSION SPRING		*		1.00
12	22962054	THREAD TENSION ASM.				1.00
13	22962005	THREAD TENSION SPRING		*		1.00
14	11400801	THROAT PLATE J				1.00
15	11091006	ARM THREAD GUIDE (HA)				1.00
16	SS6080320SP	SCREW 1/8-44 L=2.5				1.00
17	11095254	LEVER STOPPER ASM.				1.00
18	SS1120710SP	SCREW 3/16-28 L=6.5				1.00
19	40103560	LINK_THREAD_TAKE-UP_LENER-H_ASM.				1.00
20	40109126	NEEDLE_BAR_CRANK_H		*		1.00
21	MDB100B2100	NEEDLE DBX1 #21				1.00
22	B1418415H00	NEEDLE BAR THREAD GUIDE				1.00
23	B1403553000	NEEDLE BAR BUSHING LOWER				1.00
24	40023223	NEEDLE BAR THREAD GUIDE				1.00
25	11091303	NEEDLE BAR				1.00
26	11092251	LUBRICATING HOOK ASM.				1.00
27	22962401	POSITIONING FINGER H				1.00
28	B1505552000A	PRESSER SPRING				1.00
29	D1524555EBL	PRESSER FOOT ASM.				1.00
30	22962807	WIRE PRESSER PLATE B	FOR DDL-5550NH-7-0B,-WB			1.00
31	SS7110740TP	SCREW 11/64-40 L=7	FOR DDL-5550NH-7-0B,-WB			1.00
32	11096559	SOLENOID UNIT				1.00
33	11071909	FEED DIAL				1.00
34	40010395	ADJUSTING LINK FULCRUM SHAFT B	FOR DDL-5550NH-7-0B,-WB			1.00
35	22970602	FEED SPRING HOOK				1.00
36	11403003	FEED J				1.00
37	40090750	SOLENOID MOUNTING BASE ASM.	FOR DDL-5550NH-7-0B,-WB			1.00
38	11231503	OIL PUMP SUPPORT	FOR DDL-5550NH-7-0B,-WB			1.00
39	22962609	REVERSE FEED BASE COLLAR	FOR DDL-5550NH-7-0B,-WB			1.00
40	22962906	PLUNGER ARM PIN	FOR DDL-5550NH-7-0B,-WB			1.00
41	NS6110420SP	NUT 11/64-40	FOR DDL-5550NH-7-0B,-WB			2.00
42	22962708	REVERSE FEED CORD HOLDER	FOR DDL-5550NH-7-0B,-WB			1.00

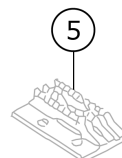
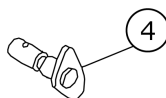
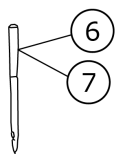
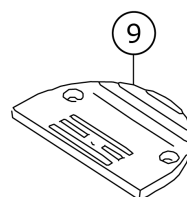
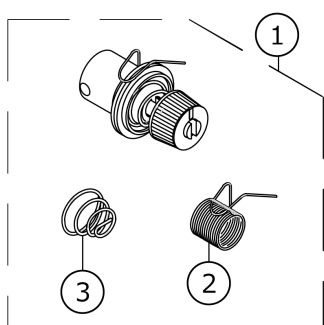
43	11094109	OIL TUBE			1.00
44	SD0700711TP	HINGE SCREW D=7 H=7.1	FOR DDL-5550NH-7-0B,-WB		1.00
45	22962500	SOLENOID CONNECTING LINK H	FOR DDL-5550NH-7-0B,-WB		1.00
46	WP0722316SH	WASHER	FOR DDL-5550NH-7-0B,-WB		1.00
47	11101508	REVERSE FEED LINK	FOR DDL-5550NH-7-0B,-WB		1.00
48	NS6110420SP	NUT 11/64-40	FOR DDL-5550NH-7-0B,-WB		1.00
49	SD0700451TP	HINGE SCREW D=7 H=4.5	FOR DDL-5550NH-7-0B,-WB		1.00
50	MC200501300	NEEDLE 134 NM130	FOR JE		1.00
51	22962351	FEED DRIVE ECCENTRIC CAM ASM.			1.00
52	11403805	THREAD GUIDE C FITTING PLATE			1.00
53	WP0371016SD	WASHER 3.7X8X1			1.00
54	NS6090310SP	NUT 9/64-40			1.00

EXCLUSIVE PARTS FOR DDL-5550NA-7



No.	品番	品名	備考	子部品	消耗品	個数
1	11091857	LINK THREAD TAKE-UP LEVER ASM.				1.00
2	11091808	NEEDLE BAR CRANK A		*		1.00
3	D1524555DBA	PRESSER FOOT ASM.				1.00
4	B1109012I0B	THROAT PLATE (I)				1.00
5	B1613012I00	FEED DOG I				1.00
6	22964001	BOBBIN A				1.00
7	B18370120A0	BOBBIN CASE ASM.				1.00
8	B1505227T00A	PRESSER SPRING T				1.00
9	MC200500650	NEEDLE 134 NM65	FOR JE			1.00
10	MDA100B0900	NEEDLE DAX1 #9				1.00
11	40011503	THREAD TENSION ASM.				1.00
12	40054784	THREAD TAKE-UP SPRING		*		1.00
13	40054785	THREAD TENSION SPRING		*		1.00
14	11092558	HAND LIFTER CAM ASM.				1.00

EXCLUSIVE PARTS FOR DDL-5550NK-7



No.	品番	品名	備考	子部品	消耗品	個数
1	40011503	THREAD TENSION ASM.				1.00
2	40054784	THREAD TAKE-UP SPRING		*		1.00
3	40054785	THREAD TENSION SPRING		*		1.00
4	11092558	HAND LIFTER CAM ASM.				1.00
5	D1613155W00	FEED DOG W				1.00
6	MC200500650	NEEDLE 134 NM65	FOR JE			1.00
7	MDB100B0900	NEEDLE DBX1 #9				1.00
8	D1524555DBA	PRESSER FOOT ASM.				1.00
9	11001906	THROAT PLATE K				1.00

LIST FOR INFORMATION OF CHANGE (1)

As to the place changed, refer to the corresponding Rev.No.
 When previous parts(Obsoleted part)and new parts(Added parts)are
 not interchangeable with each other:
 In this case, even obsoleted parts(D.)can be ordered with the
 obsoleted part number, so select the parts with changed dates and
 place your orders.

変更箇所は、該当Rev.No.版をご参照ください。

部品の互換性がない変更の場合は、削除された品番でも、ご注文できます。

29134905

No.0919-12・・・Rev.No.

*A:Added parts追加部品/D:Obsoleted parts削除部品/E:Erratum訂正

* Rev. No.	Page 頁	Ref. No.	Parts No. 品番	* Rev. No.	Page 頁	Ref. No.	Parts No. 品番
D 11	2	18	111-00500	A 12	2	18	229-52501
D 11	2	20	111-00104	A 12	2	20	401-11022
D 11	2	61	M6008-350-AAC				
D 11	2	62	SS-4121215-SP				
D 11	2	64	WP-0501016-SD				
D 11	2	65	M6008-350-AAA				
D 11	2	66	M6008-350-AAF				
D 11	2	67	229-90550				
D 11	4	4	110-39070	A 12	4	4	229-18072
D 11	4	5	110-39062	A 12	4	5	229-18064
D 11	4	6	B1905-541-B00	A 12	4	6	229-18403
				A 12	4	7	229-18502
				A 12	4	8	229-18601
				A 12	4	9	229-18700
D 11	4	7	110-05204	A 12	4	10	229-18106
D 11	4	8	B1408-552-000	A 12	4	11	229-06606
D 11	4	9	B1903-552-000	A 12	4	12	229-18304
D 11	4	10	229-03157	A 12	4	13	401-06606
D 11	4	15	229-03108	A 12	4	15	401-06607
D 11	4	21	110-02508	A 12	4	21	401-05231
D 11	6	2	B1402-552-000-A	A 12	6	2	229-06101
D 11	6	6	B1414-555-000	A 12	6	6	400-90058
D 11	8	23	110-18207	A 12	8	23	229-20201
D 11	8	28	110-45952	A 12	8	28	229-44854
D 11	10	12	110-08208	A 12	10	12	229-10251
				A 12	10	15	229-10202
D 11	10	15	110-14008	A 12	10	71	229-15003
D 11	10	19	110-10154	A 12	10	19	229-12257
D 11	10	20	110-10410	A 12	10	20	229-12505
D 11	10	23	110-09503	A 12	10	23	229-11408
D 11	10	25	110-08703	A 12	10	25	400-89548
D 11	10	26	110-08604	A 12	10	26	400-93417
D 11	10	64	229-12604	A 12	10	64	401-00084
D 11	12	6	110-40300	A 12	12	6	229-47907
D 11	12	11	D2404-555-B00				
D 11	12	13	110-42553	A 12	12	13	229-50257

HOW TO MAKE USE OF THIS PARTS LIST

1.Explanation of codes

1)"*"mark.....means this part is changed from the previous parts book.

As to the details of the change, refer to the "List for information of change".

2)"#01".....refer to "Note" explanation at bottom of page.

2.Codes on the "Qty" column

· Each numeral indicates the number of parts required.

· "0.1" and "2.5" indicate the length (in meters) of the respective parts.

3.Parentheses mean that the corresponding part is a subpart that constructs an assembly part.

4.Dotted lines on the Figures indicate assembly parts.

1."注記"欄の記号説明

1) "*"印.....前回のパーツブックに比較して今回変更された部品を意味します。

変更内容は、"変更情報リスト"を参照してください。

2) "#01".....ページ下の"注記"の説明を参照してください。

2.数量欄の数字は、個数を表し、0.1、2.5等の数値は、長さ（単位メートル）を表します。

3.数量欄の（ ）は、組部品を構成している子部品であることを意味します。

4.イラストページの-----枠は、組構成であることを意味します。