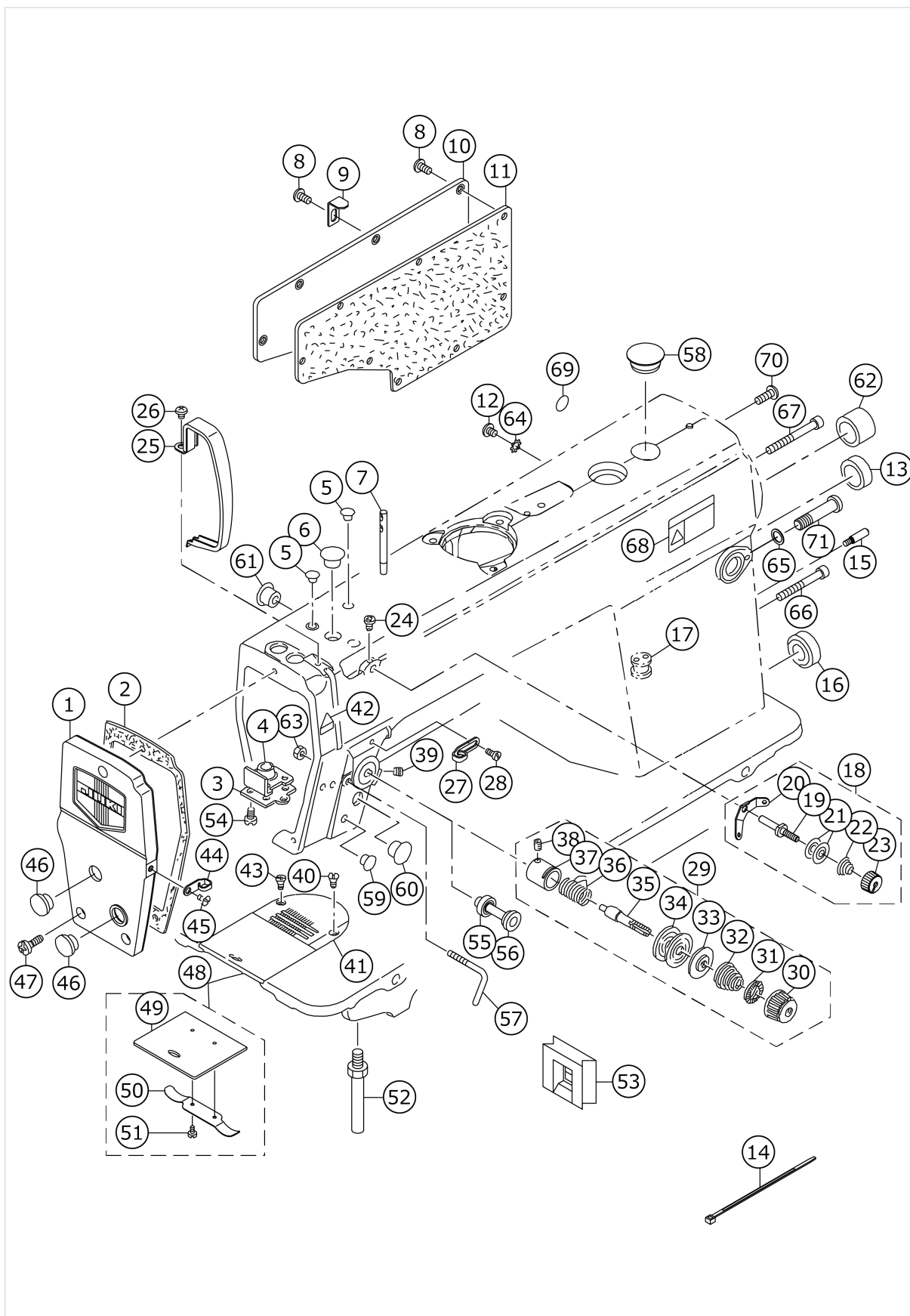


DLN-5410NDD-7

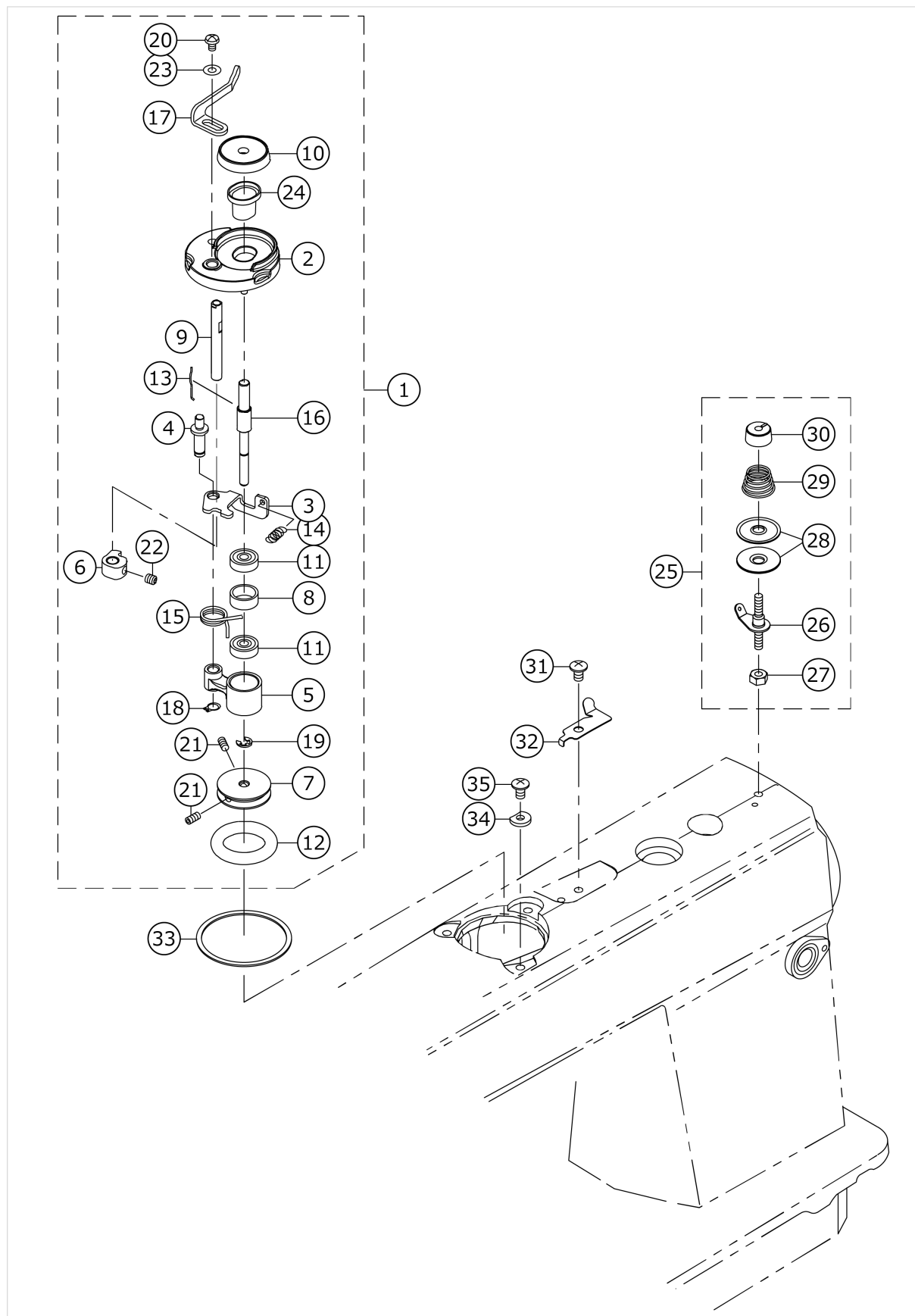
MACHINE FRAME & MISCELLANEOUS COVER COMPONENTS



No.	品番	品名	備考	子部品	消耗品	個数
1	11325750	FACE PLATE ASM.				1.00
2	11300506	FACE PLATE GASKET				1.00
3	11300407	PRESSER BAR SUPPORT				1.00
4	11300605	GASKET				1.00
5	TA0850604R0	RUBBER PLUG				2.00
6	TA1250705R0	RUBBER PLUG				1.00
7	22958300	NEEDLE THREAD GUIDE PIN				1.00
8	SS4120915SP	SCREW 3/16-28 L=9				8.00
9	40126308	CORD_CLAMP				1.00
10	40156263	WINDOW PLATE				1.00
11	40012129	SIDE PLATE PACKING				1.00
12	SS4120615SP	SCREW 3/16-28 L=6				1.00
13	TA2000502R0	RUBBER PLUG				1.00
14	EA9500B0100	CABLE BAND				3.00
15	40115888	LEVER_STOPPER_ASSY				1.00
16	TA2101002R0	RUBBER PLUG				1.00
17	40111022	MAGNET CORD RUBBER				1.00
18	22945463	THREAD TENSION ASM. NO.1				1.00
19	22945414	THREAD TENSION POST		*		1.00
20	22945604	THREAD TENSION GUIDE		*		1.00
21	22945802	THREAD TENSION DISK		*		2.00
22	22945505	THREAD TENSION SPRING		*		1.00
23	22945703	THREAD TENSION NUT		*		1.00
24	SS4120615SP	SCREW 3/16-28 L=6				1.00
25	40156268	THREAD TAKE-UP LEVER COVER				1.00
26	SS4120615SP	SCREW 3/16-28 L=6				1.00
27	22920508	ARM THREAD GUIDE A				1.00
28	22921001	SCREW				1.00
29	22945356	THREAD TENSION ASM.				1.00
30	22921308	THREAD TENSION NUT		*		1.00
31	22921407	ROTATION STOPPER		*		1.00
32	22921704	THREAD TENSION SPRING A		*		1.00
33	22921803	DISK STOPPER		*		1.00
34	22921506	THREAD TENSION DISK		*		2.00
35	22921209	THREAD TENSION POST		*		1.00
36	22921605	THREAD TAKE-UP SPRING		*		1.00
37	22945307	THREAD TENSION POST BASE		*		1.00
38	SS8090670SP	SCREW 9/64-40 L=5.5		*		1.00
39	SS8150710TP	SCREW 15/64-28 L=7				1.00
40	SS2110920TP	SCREW 11/64-40 L=8.5				1.00
41	11300308	THROAT PLATE				1.00
42	CM300200001	ATTENTION SEAL				1.00
43	SS2110915SP	SCREW 11/64-40 L=8.5				1.00
44	22920607	ARM THREAD GUIDE B				1.00
45	SS6110610TP	SCREW 11/64-40 L=6				1.00
46	TA1250406R0	RUBBER PLUG D=12.5 L=4				2.00
47	SS4121015SP	SCREW 3/16-28 L=10				3.00
48	22901250	SLIDE PLATE ASM.				1.00
49	22901201	SLIDE PLATE		*		1.00
50	22901300	SLIDE PLATE SPRING		*		1.00

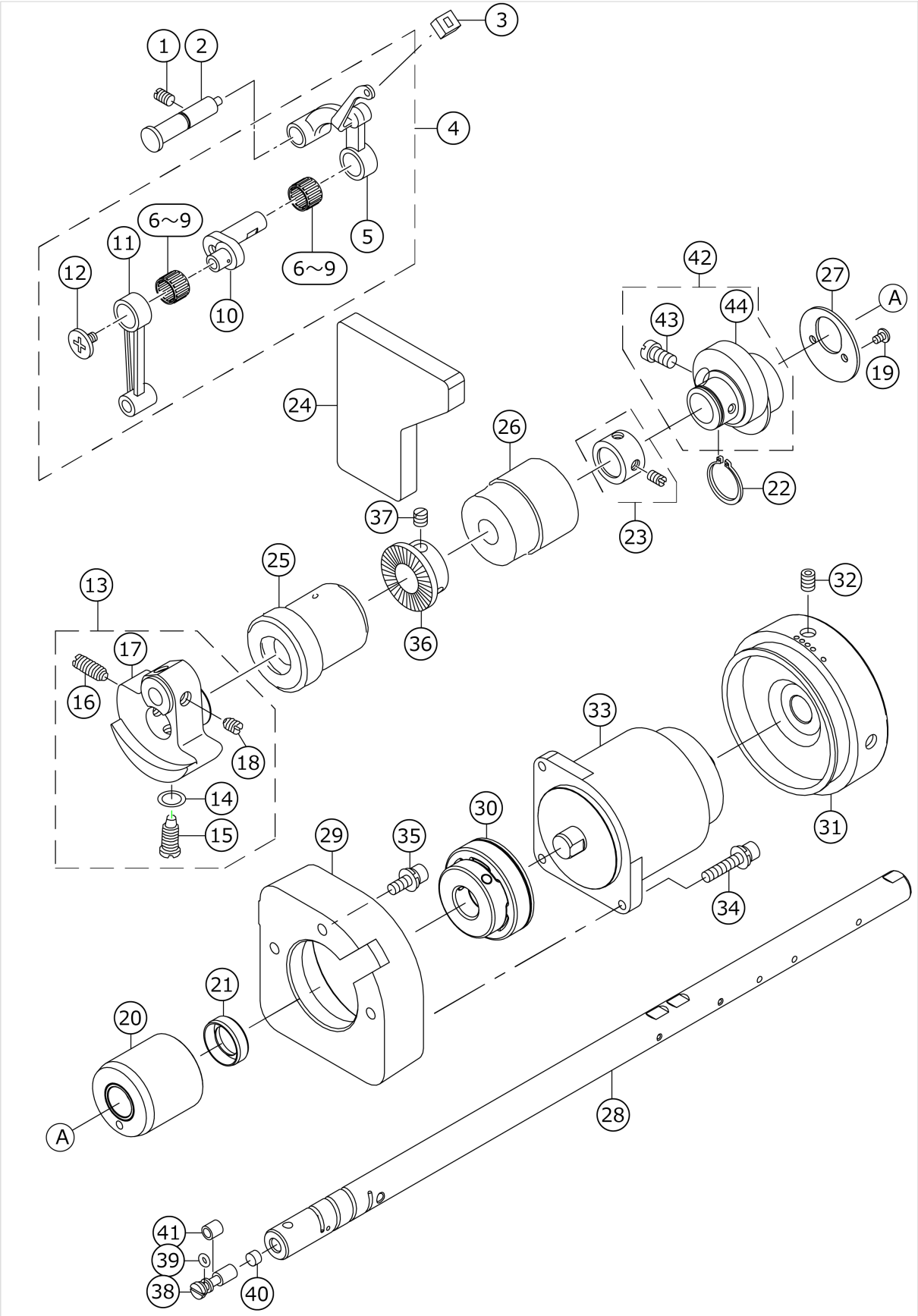
51	SS6060210SP	SCREW 3/32-56 L=1.9		*		2.00
52	22901003	BED SCREW STUD				4.00
53	22935407	BED OIL SHIELD RUBBER				1.00
54	SS1120710SP	SCREW 3/16-28 L=6.5				4.00
55	B31334150A0	TENSION RELEASE PIN CAP ASM.				1.00
56	B3136415000	CAP RING				1.00
57	22972608	ARM THREAD GUIDE C				1.00
58	TA2100904R0	RUBBER PLUG				1.00
59	TA0850604R0	RUBBER PLUG				1.00
60	TA1250504R0	RUBBER PLUG				1.00
61	TA1250504R0	RUBBER PLUG				1.00
62	TA2101002R0	RUBBER PLUG				1.00
63	NS6110310SP	NUT 11/64-40				1.00
64	WT0530002KS	TOOTHED WASHER D=5.3				1.00
65	WP0820516SP	WASHER 11.6X8.2X0.6				1.00
66	SM6054002TN	SCREW M5X0.8 L=40				1.00
67	SM6054502TP	SCREW M5X0.8 L=45				1.00
68	CM301300001	SAFETY LABEL				1.00
69	22901805	GROUND MARK				1.00
70	SM4051401SE	SCREW M5 L=14				1.00
71	40126305	SCREW_5/16-24_35				1.00

BOBBIN WINDER COMPONENTS



No.	品番	品名	備考	子部品	消耗品	個数
1	40110976	BOBBIN_WINDER_UNIT				1.00
2	26260109	BTW_BASE		*		1.00
3	26260208	BTW_CAM_PLATE		*		1.00
4	26260307	BTW_BASE_SHAFT		*		1.00
5	26260406	BTW_SHAFT_BASE		*		1.00
6	26260505	BTW_CAM_LEVER		*		1.00
7	26260604	BTW_WHEEL		*		1.00
8	26260802	BTW_BEARING_SPACER		*		1.00
9	26261008	BTW_LEVER_SHAFT		*		1.00
10	26261206	BTW_SPACER		*		1.00
11	26261305	BTW_BEARING		*		2.00
12	26261503	BTW_WHEEL_RUBBER		*		1.00
13	26261602	BOBBIN_SPRING		*		1.00
14	26261701	BTW_SPRING		*		1.00
15	40011144	BTW_TORSION_SPRING		*		1.00
16	40110975	BTW_SHAFT		*		1.00
17	40021933	BTW_LEVER		*		1.00
18	RC0560711KP	RETAINING RING		*		1.00
19	RE0400000K0	E-RING 4		*		1.00
20	SM5040655SN	SCREW		*		1.00
21	SM8040802TP	SCREW M4X8		*		2.00
22	SM8050502TP	SCREW M5 L=5		*		1.00
23	WP0450826SC	WASHER 4.5X10X0.8		*		1.00
24	40119475	OIL_GUARD		*		1.00
25	40110731	BOBBIN_THREAD_TENSION_ASSY				1.00
26	40110734	BOBBIN_THREAD_ROD_ASSY		*		1.00
27	NS6120630SP	NUT 3/16-28		*		1.00
28	22921506	THREAD TENSION DISK		*		2.00
29	D7133555B00	CONNECTING ROD SPRING		*		1.00
30	22945703	THREAD TENSION NUT		*		1.00
31	SM0050801SC	SCREW				1.00
32	40037008	THREAD_CUTTER				1.00
33	40163521	PACKING				1.00
34	40113241	BTW SPACER				1.00
35	SM0050801SC	SCREW				3.00

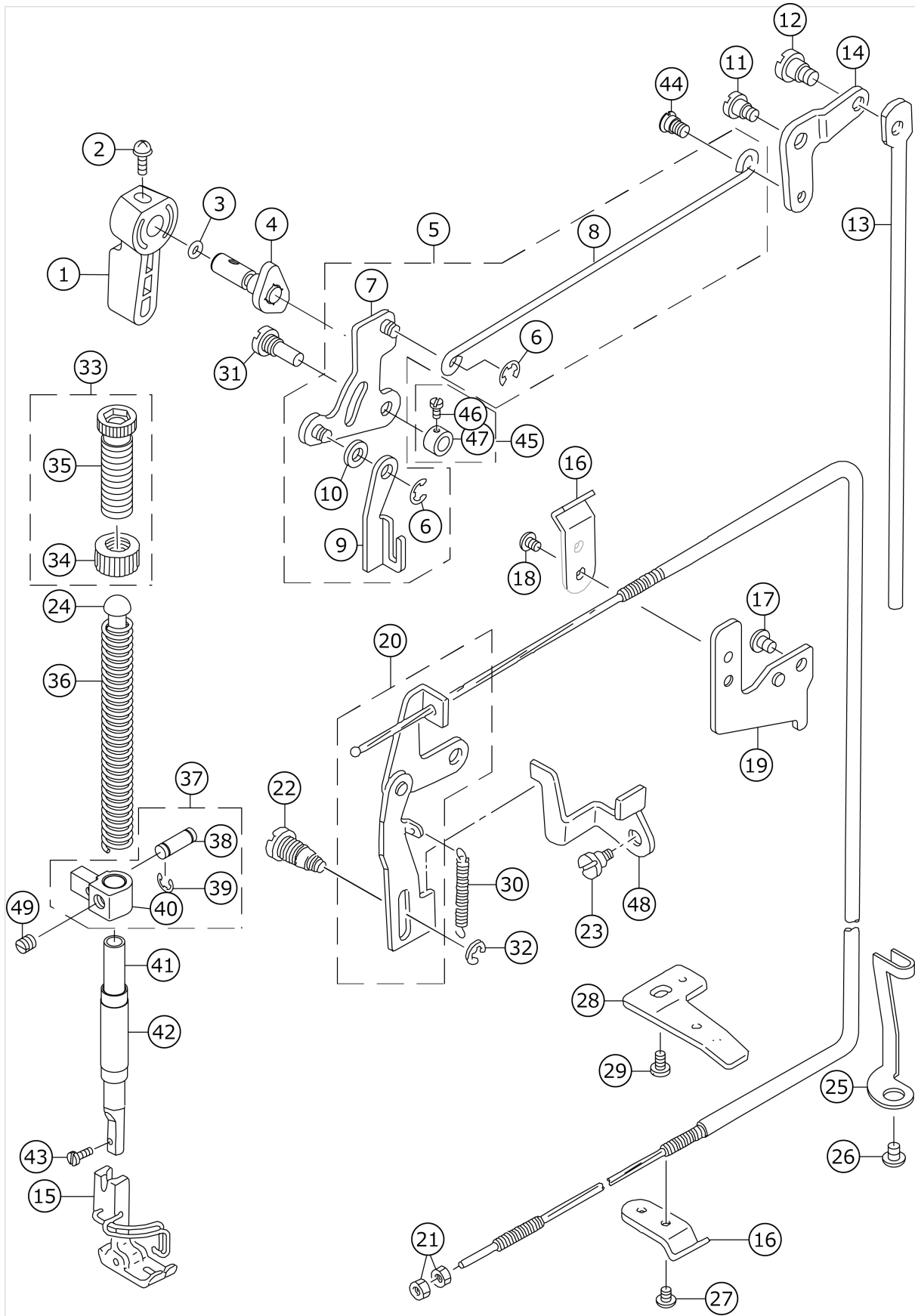
MAIN SHAFT COMPONENTS



No.	品番	品名	備考	子部品	消耗品	個数
1	SS8151150TP	SCREW 15/64-28 L=10.5				1.00
2	11017357	THREAD TAKE-UP CRANK SHAFT ASM.				1.00
3	22919203	OIL PROTECTING RUBBER				1.00
4	22918072	THREAD TAKE-UP LEVER COMPL.				1.00
5	22918064	THREAD TAKE-UP LEVER ASM.		*		1.00
6	22918403	NEEDLE BEARING A	SELECTIVE PARTS	*		2.00
7	22918502	NEEDLE BEARING B	SELECTIVE PARTS	*		2.00
8	22918601	NEEDLE BEARING C	SELECTIVE PARTS	*		2.00
9	22918700	NEEDLE BEARING D	SELECTIVE PARTS	*		2.00
10	22918106	NEEDLE BAR CRANK		*		1.00
11	22906606	NEEDLE BAR CRANK ROD		*		1.00
12	22918304	LEFT SCREW		*		1.00
13	40106606	COUNTER_WEIGHT_ASM.				1.00
14	RO044240100	RUBBER RING		*		1.00
15	SS7681650TP	SCREW 9/32-28 L=16		*		1.00
16	SS8681650TP	SCREW 9/32-28 L=16		*		1.00
17	40106607	COUNTER_WEIGHT		*		1.00
18	SS8660610TP	SCREW 1/4-40 L=6		*		2.00
19	SS4090615SP	SCREW 9/64-40 L=6				2.00
20	40110978	MAIN_SHAFT_BUSHING				1.00
21	40139216	OIL_SEAL				1.00
22	RC1850001KP	SNAP RING 18.5				1.00
23	40144306	MAIN SHAFT THRUST COLLAR ASM.				1.00
24	40230269	FILTER				1.00
25	11300902	BUSHING FRONT				1.00
26	11202306	BUSHING INTERMEDIATE				1.00
27	40156261	THRUST COLLAR				1.00
28	40110977	MAIN_SHAFT				1.00
29	40157604	MAIN_MOTOR_BASE_76				1.00
30	40111025	COUPLING_ASM.				1.00
31	40200576	HAND_PULLEY				1.00
32	SM80608A2TP	SCREW M6 L=8				2.00
33	40140419	SERVO MOTOR				1.00
34	SL6052592TN	BOLT				3.00
35	SL6051492TN	BOLT				3.00
36	22538805	DRIVING WHEEL				1.00
37	SS8660610TP	SCREW 1/4-40 L=6				2.00
38	B1213552000A	OIL ADJUSTING PIN				1.00
39	RO029180100	RUBBER RING				1.00
40	11002904	ROLLER FELT				1.00
41	B1215552000	OIL ADJUSTING COLLAR				1.00
42	11302353	FEED DRIVE ECCENTRIC CAM ASM.				1.00
43	SS6661110SP	SCREW 1/4-40 L=11		*		2.00
44	11302304	FEED DRIVE ECCENTRIC CAM		*		1.00

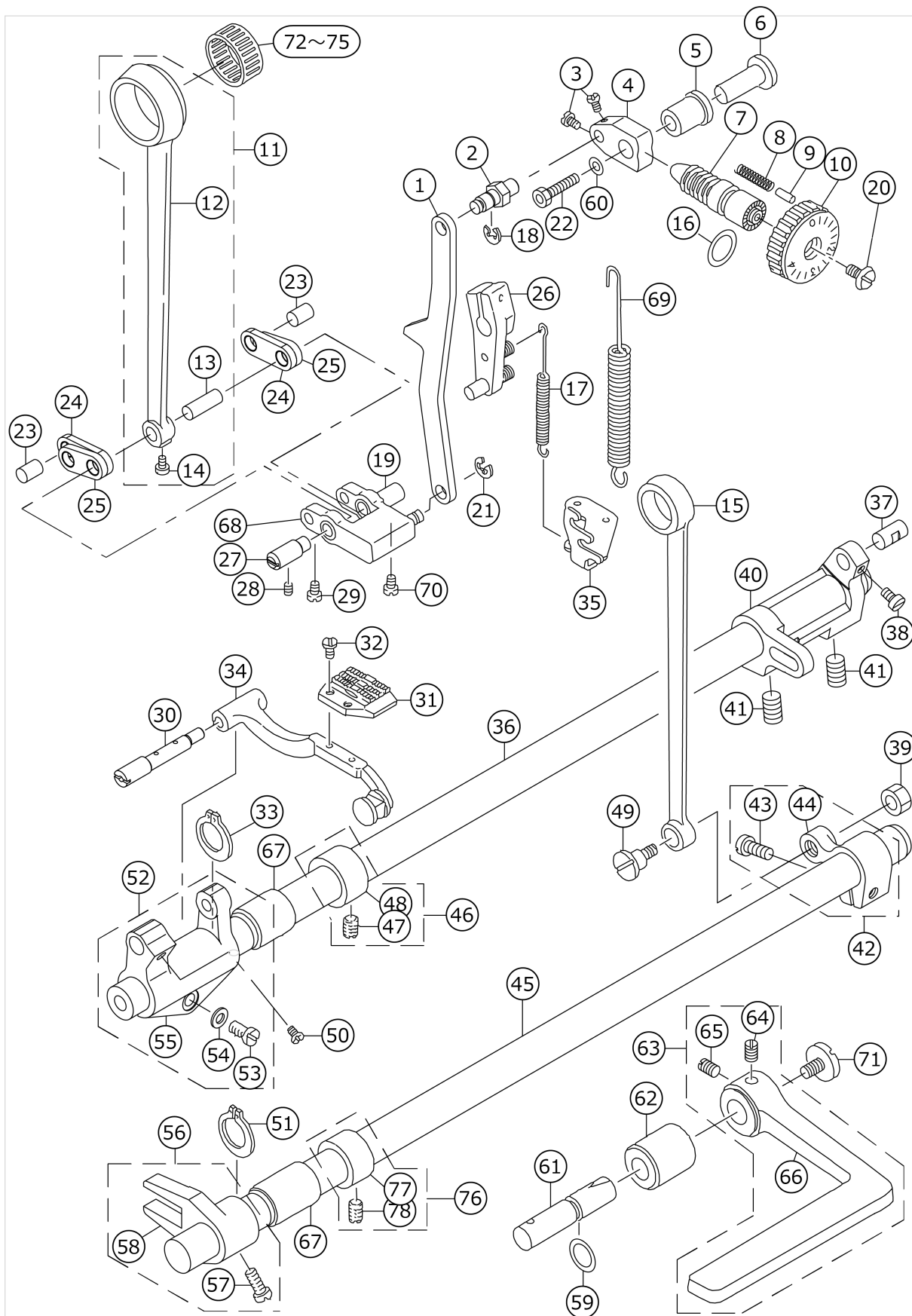
No.	品番	品名	備考	子部品	消耗品	個数
1	TA1250804R0	RUBBER PLUG				1.00
2	11301009	NEEDLE BAR A				1.00
3	22942601	OIL SHIELD				1.00
4	22906457	NEEDLE BAR HOLDER ASM.				1.00
5	SS6090670TP	SCREW 9/64-40 L=6		*		1.00
6	22906408	NEEDLE ROD HOLDER		*		1.00
7	SS7080510TP	SCREW 1/8-44 L=4.5				1.00
8	B1418552A00	NEEDLE THREAD GUIDE A				1.00
9	MDB100B1400	NEEDLE DBX1 #14				1.00
10	B13061550C0	GEAR & PINION ASM.				1.00
11	B13061550B0	GEAR & PINION ASM. UPPER		*		1.00
12	B13050120A0	GEAR ASM.		*		1.00
13	SS8660810TP	SCREW 1/4-40 L=8		*		2.00
14	B1305012000	GEAR		*		1.00
15	B13061550A0	PINION ASM.		*		1.00
16	B1306155000	PINION		*		1.00
17	SS8660810TP	SCREW 1/4-40 L=8		*		2.00
18	B13071550B0	GEAR & PINION ASM. LOWER		*		1.00
19	B13071550A0	GEAR ASM. LARGE		*		1.00
20	B1307155000	MITRE GEAR LARGE		*		1.00
21	SS8660810TP	SCREW 1/4-40 L=8		*		2.00
22	B13081550A0	PINION ASM.		*		1.00
23	B1308155000	MITRE GEAR SMALL		*		1.00
24	SS8660810TP	SCREW 1/4-40 L=8		*		2.00
25	SS4120915SP	SCREW 3/16-28 L=9				1.00
26	22917157	THRUST COLLAR ASM. REAR				1.00
27	SS6110420TP	SCREW 11/64-40 L=4.8		*		2.00
28	22917108	THRUST COLLAR, REAR		*		1.00
29	11038809	BOBBIN CASE HOLDER				1.00
30	SS4110915TP	SCREW 11/64-40 L=9				1.00
31	22916100	HOOK DRIVING SHAFT BUSH FRONT				1.00
32	22917058	THRUST COLLAR ASM. FRONT				1.00
33	SS8110410TP	SCREW 11/64-40 L=3.5		*		2.00
34	22917009	THRUST COLLAR, FRONT		*		1.00
35	22916555	OIL SEAL SCREW ASM.				1.00
36	22916506	SET SCREW		*		1.00
37	11015906	OIL WICK		*		1.00
38	22932909	BOBBIN				1.00
39	11038759	BOBBIN CASE ASM.				1.00
40	11038650	HOOK ASM.				1.00
41	22916001	HOOK DRIVING SHAFT				1.00
42	22916308	HOOK DRIVING SHAFT BUSH REAR				1.00
43	B1414226000	SLIDE BLOCK				1.00
44	22905004	UPRIGHT SHAFT				1.00
45	22905103	UPRIGHT SHAFT BUSHING UPPER				1.00
46	40156272	UPRIGHT SHAFT BUSHING				1.00

HAND LIFTER COMPONENTS



No.	品番	品名	備考	子部品	消耗品	個数
1	22907802	HAND LIFTER				1.00
2	B1521555000	SCREW				1.00
3	RO037180100	RUBBER RING				1.00
4	22908552	HAND LIFTER CAM ASM.				1.00
5	11301652	LIFTING LEVER ASM.				1.00
6	RE0500000K0	E-RING		*		2.00
7	22908156	LIFTING LINK ASM.		*		1.00
8	22908305	KNEE LIFTER SIDE ROD		*		1.00
9	40165972	LIFTING LEVER		*		1.00
10	WP0650876SD	WASHER 6.5X13X0.8		*		1.00
11	SD0720331SP	HINGE SCREW D=7.24 H=3.3				1.00
12	SD0600322SD	HINGE SCREW D=6 H=3.2				1.00
13	11205408	CONNECTING ROD				1.00
14	11205309	LIFTING LEVER LINK				1.00
15	D1524415BBC	PRESSER FOOT ASM.				1.00
16	22944508	WIRE PRESSER A				2.00
17	SS4120615SP	SCREW 3/16-28 L=6				1.00
18	SS4110515SP	SCREW 11/64-40 L=5				1.00
19	22944607	WIRE PRESSER BASE UPPER				1.00
20	11312055	WIRE CABLE ASM.				1.00
21	NS6620310SP	NUT 3/16-32		*		2.00
22	11306107	TENSION RELEASE PLATE SHAFT				1.00
23	SD0640261SP	HINGE SCREW D=3.65 H=2.6				1.00
24	40156271	PRESSER GUIDE BAR				1.00
25	11306206	WIRE CABLE HOLDER				1.00
26	SS4120615SP	SCREW 3/16-28 L=6				1.00
27	SS4110515SP	SCREW 11/64-40 L=5				1.00
28	22962807	WIRE PRESSER PLATE B				1.00
29	SS7110740TP	SCREW 11/64-40 L=7				1.00
30	11305901	SPRING				1.00
31	11301702	LINK SHAFT				1.00
32	RE0300000KP	E-RING				1.00
33	22907554	PRESSER SPRING REG NUT ASM.				1.00
34	22907604	PRESSER SPRING REGULATOR NUT		*		1.00
35	22907505	PRESSER SPRING REGULATOR		*		1.00
36	22907406	PRESSER SPRING				1.00
37	11301355	NEEDLE BAR GUIDE BRACKET ASM.				1.00
38	11301405	PIN		*		1.00
39	RE0300000K0	E-RING 3		*		2.00
40	11301306	NEEDLE BAR GUIDE BRACKET		*		1.00
41	40017805	PRESSER BAR				1.00
42	40150933	PRESSER BAR BUSHING LOWER				1.00
43	SS7091110TP	SCREW 9/64-40 L=10.5				1.00
44	22908909	HINGE SCREW				1.00
45	CS064061ASP	THRUST COLLAR ASM.				1.00
46	SS7090620TP	SCREW 9/64-40 L=6.1		*		1.00
47	CS0640611SP	THRUST HOLDER		*		1.00
48	11305703	TENSION RELEASE LINK A				1.00
49	SS8660610TP	SCREW 1/4-40 L=6				1.00

FEED MECHANISM COMPONENTS



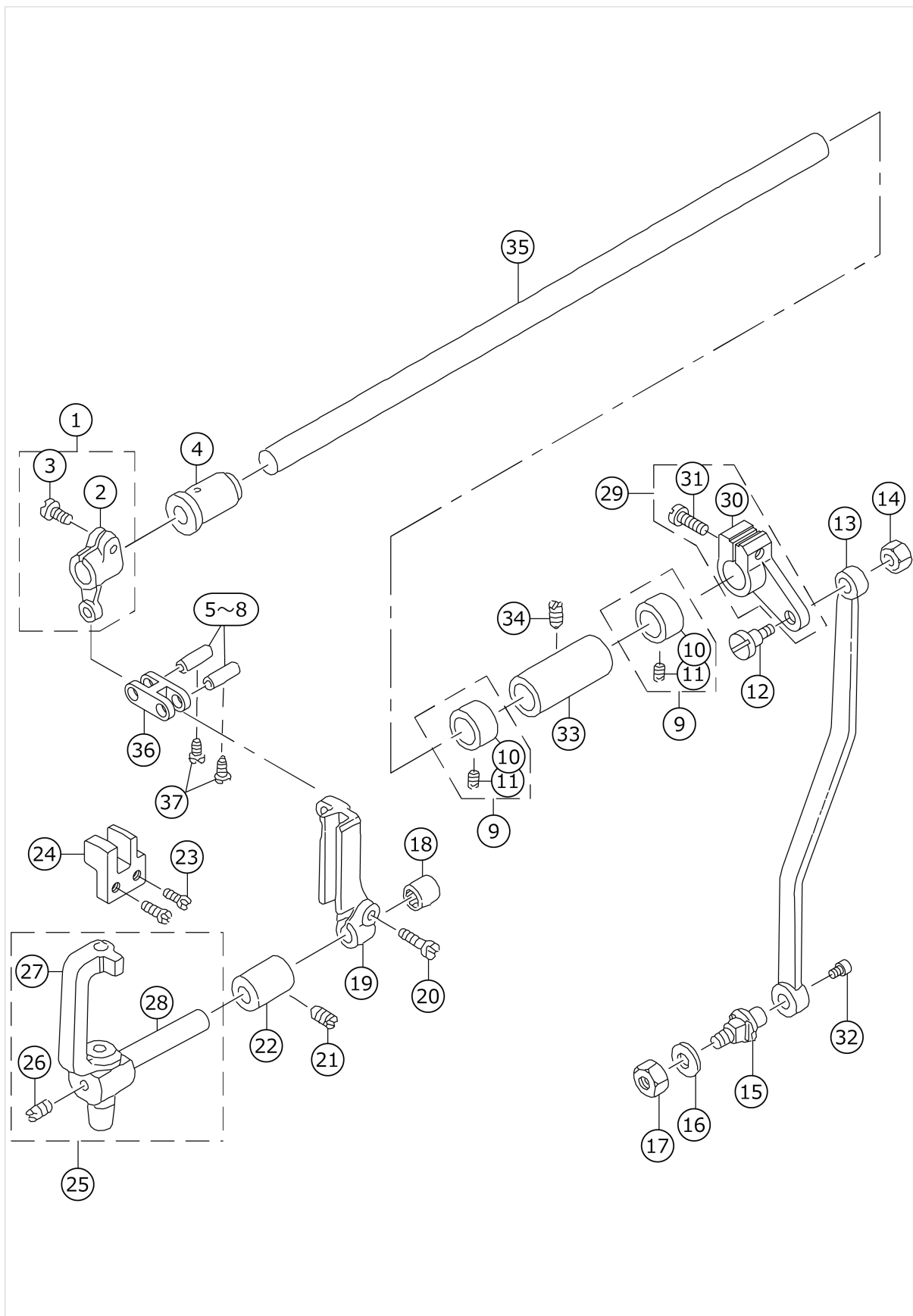
No.	品番	品名	備考	子部品	消耗品	個数
1	11314507	FEED ADJUST ROD				1.00
2	22971204	FEED REGULATOR BASE PIN				1.00
3	SS6090560TP	SCREW 9/64-40 L=4.5				2.00
4	11303328	FEED REGULATOR BUSHING				1.00
5	11009800	FEED REGULATOR BUSHING				1.00
6	11385127	FEED REGULATOR SHAFT				1.00
7	22911804	FEED REGULATOR SCREW				1.00
8	22912109	FEED REGULATOR PIN SPRING				1.00
9	22912000	FEED REGULATOR PIN				1.00
10	11326204	FEED DIAL				1.00
11	40081220	ROCKER SHAFT CONNECTING ROD ASM.				1.00
12	11302411	ROCKER SHAFT CONNECTING ROD		*		1.00
13	22911101	WALKING FOOT PIN C		*		1.00
14	SS6090620TP	SCREW		*		1.00
15	22915003	CONNECTING ROD				1.00
16	RO092270200	RUBBER RING				1.00
17	11302700	SPRING				1.00
18	RE0500000K0	E-RING				1.00
19	40010395	ADJUSTING LINK FULCRUM SHAFT B				1.00
20	SS6121860SP	SCREW 3/16-28 L=18				1.00
21	RE0500000K0	E-RING				1.00
22	SS9661120CP	SCREW 1/4-40 L=10.5				1.00
23	22910905	WALKING FOOT PIN A				2.00
24	22910707	CONNECTING LINK B				2.00
25	22910608	CONNECTING LINK A				2.00
26	11311057	FEED REVERSE ARM ASM.				1.00
27	22910806	ADJUST LINK FULCRUM SHAFT A				1.00
28	SS8150710TP	SCREW 15/64-28 L=7				1.00
29	SS6090620TP	SCREW				2.00
30	22940803	FEED BAR SHAFT				1.00
31	D1609415B00	FEED DOG				1.00
32	SS4080620TP	SCREW 1/8-44 L=6				2.00
33	RC0150001KP	RETAINING RING 13.8				1.00
34	22940753	FEED BAR ASM.				1.00
35	22970602	FEED SPRING HOOK				1.00
36	22912901	FEED ROCKER SHAFT				1.00
37	22911002	WALKING FOOT PIN B				1.00
38	SS6090620TP	SCREW				1.00
39	NS6680410SP	NUT 9/32-28				1.00
40	11302502	FEED ROCKER SHAFT CRANK				1.00
41	SS8681130SP	SCREW 9/32-28 L=11				2.00
42	22915151	FEED ARM ASM.				1.00
43	SS6121210SP	SCREW 3/16-28 L=12		*		1.00
44	22915102	FEED ARM		*		1.00
45	22915201	FEED DRIVING SHAFT				1.00
46	40144306	MAIN SHAFT THRUST COLLAR ASM.				1.00
47	SS8660610TP	SCREW 1/4-40 L=6		*		2.00
48	40144307	MAIN SHAFT THRUST COLLAR		*		1.00
49	SD1000801SH	HINGE SCREW D=10 H=8				1.00
50	SS7110740TP	SCREW 11/64-40 L=7				1.00

51	RC0150001KP	RETAINING RING 13.8				1.00
52	22940654	FEED ROCKER ASM.				1.00
53	SS7121410TP	SCREW 3/16-28 L=14		*		1.00
54	WP0480856SP	WASHER 4.8X8.4X0.8		*		1.00
55	22940605	FEED ROCKER		*		1.00
56	40150931	DRIVING SHAFT CRANK ASM.				1.00
57	SS7111120TP	SCREW		*		1.00
58	40150932	DRIVING SHAFT CRANK		*		1.00
59	RO078190100	RUBBER RING				1.00
60	WP0702026SP	WASHER 7X15X2				1.00
61	22967202	FEED LEVER SHAFT				1.00
62	22912802	FEED LEVER SHAFT BUSHING				1.00
63	22912752	FEED LEVER ASM.				1.00
64	SM8061050TP	SCREW		*		1.00
65	SM8061010TP	SCREW M6 L=10		*		1.00
66	22912703	FEED LEVER		*		1.00
67	22913008	FEED ROCKER SHAFT BUSHING				2.00
68	11314267	FEED ADJUST LINK ASM.				1.00
69	11302619	SPRING				1.00
70	SS6151220SP	SCREW 15/64-28 L=11.5				1.00
71	SS7620750SP	SCREW 3/16-32 L=6.5				1.00
72	B1636581A00	NEEDLE BEARING A	SELECTIVE PARTS			1.00
73	B1636581B00	NEEDLE BEARING B	SELECTIVE PARTS			1.00
74	B1636581C00	NEEDLE BEARING C	SELECTIVE PARTS			1.00
75	B1636581D00	NEEDLE BEARING D	SELECTIVE PARTS			1.00
76	40144306	MAIN SHAFT THRUST COLLAR ASM.				1.00
77	40144307	MAIN SHAFT THRUST COLLAR		*		1.00
78	SS8660610TP	SCREW 1/4-40 L=6		*		2.00

No.	品番	品名	備考	子部品	消耗品	個数
1	11313251	KNIFE UNIT				1.00
2	SD0460703TP	HINGE SCREW D=4.6 H=7		*		1.00
3	11232105	FORKED BASE FOR KNIFE		*		1.00
4	SD0500095TH	HINGE SCREW D=5 H=0.85		*		1.00
5	11313053	MOVING KNIFE ASM.		*		1.00
6	22947907	KNIFE MOUNTING BASE		*		1.00
7	22947808	THREAD_GUIDE_FOR_KNIFE		*		1.00
8	SS2060210SP	SCREW 3/32-56 L=2.3		*		1.00
9	D2406555D0H	COUNTER KNIFE		*		1.00
10	SS4080620TP	SCREW 1/8-44 L=6		*		2.00
11	SD0640631TP	HINGE SCREW D=6.35 H=6.3				1.00
12	SS4110715SP	SCREW 11/64-40 L=7				1.00
13	22950257	PICKER ARM ASM.				1.00
14	22950208	PICKER ARM		*		1.00
15	22950356	HOOK THREAD PRESSER ASM.		*		1.00
16	SS6090510TP	SCREW 9/64-40 L=5.0		*		2.00
17	SD0641451SP	HINGE SCREW D=6.35 H=14.5				1.00
18	SD0630275SP	HINGE SCREW D=6.35 H=2.7				1.00
19	22950851	THREAD TRIMMER CAM ASM.				1.00
20	SS6660610TP	SCREW 1/4-40 L=6		*		2.00
21	22950802	THREAD TRIMMER CAM		*		1.00
22	22950950	CAM COLLAR ASM.				1.00
23	22950901	CAM COLLAR		*		1.00
24	SS8110520TP	SCREW 11/64-40 L=4.5		*		1.00
25	22949762	THREAD TRIMMER DRIVING UNIT				1.00
26	22950000	PICKER LINK PIN		*		1.00
27	RE0600000K0	E-RING 6		*		1.00
28	SS4110715SP	SCREW 11/64-40 L=7		*		2.00
29	22949408	CLUTCH SPRING		*		1.00
30	40087245	CLUTCH PLATE ASM.		*		1.00
31	22950109	PICKER LINK		*		1.00
32	WP0621016SH	WASHER		*		2.00
33	NS6150430SP	NUT 15/64-28		*		2.00
34	RE0600000K0	E-RING 6		*		1.00
35	22948301	MOVING KNIFE LINK		*		1.00
36	RE0500000K0	E-RING		*		1.00
37	22948400	MOVING KNIFE LINK PIN		*		1.00
38	22949309	KNIFE RETURN SPRING B		*		1.00
39	RE0400000K0	E-RING 4		*		2.00
40	22949101	ROLLER FULCRUM SHAFT		*		1.00
41	22949200	ROLLER RETURN SPRING		*		1.00
42	SS7090610SP	SCREW 9/64-40 L=6		*		1.00
43	22949002	ROLLER ARM SEAT		*		1.00
44	11040953	ROLLER ARM ASM.		*		1.00
45	11040854	KNIFE DRIVING ARM ASM.		*		1.00
46	22949754	BASE PLATE ASM.		*		1.00
47	22950703	DRIVING ARM STOPPER		*		1.00
48	HK034610140	HOUSING 14P				1.00
49	22949903	CLUTCH LINK				1.00
50	22951008	SOLENOID PIN				1.00

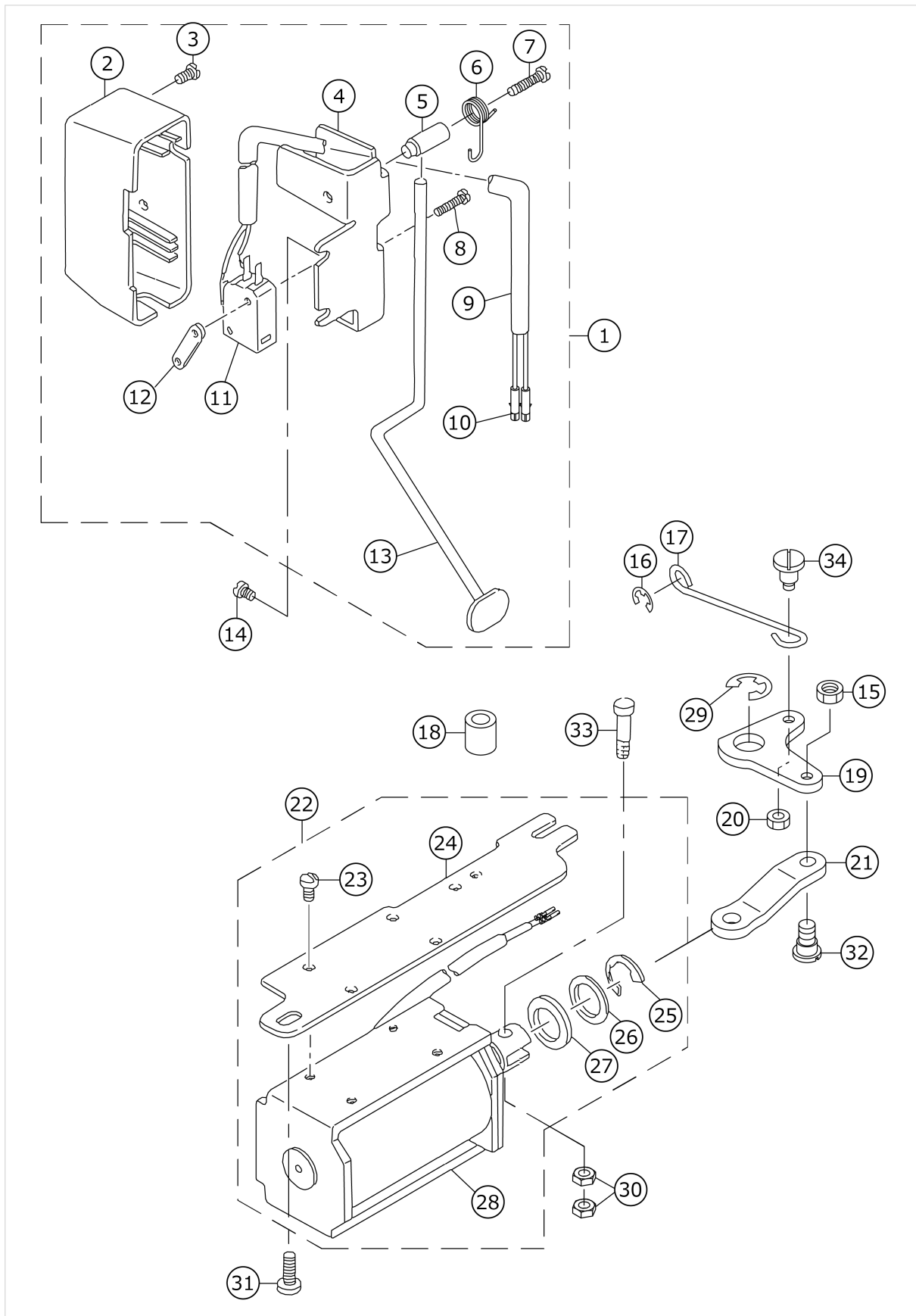
51	RE0500000KO	E-RING				1.00
52	SS6110710TP	SCREW 11/64-40 L=6.5				1.00
53	40111031	THREAD TRIMMER SOLENOID ASM.				1.00
54	40110995	THREAD_TRIMMER_SOLENOID		*		1.00
55	22951404	SOLENOID BASE		*		1.00
56	NM6040001SE	NUT M4		*		2.00
57	WS0410002KR	SPRING WASHER M4		*		2.00
58	SD0600361SP	HINGE SCREW D=6 H=3.6				1.00
59	SS4151215SP	SCREW 15/64-28 L=12				2.00
60	SS4150915SP	SCREW 15/64-28 L=9				2.00
61	40112907	GROUND WIRE ASM				1.00
62	22962708	TUBE HOLDER LOWER				1.00
63	40140306	CONNECTOR_COVER				1.00

NEEDLE BAR FRAME COMPONENTS



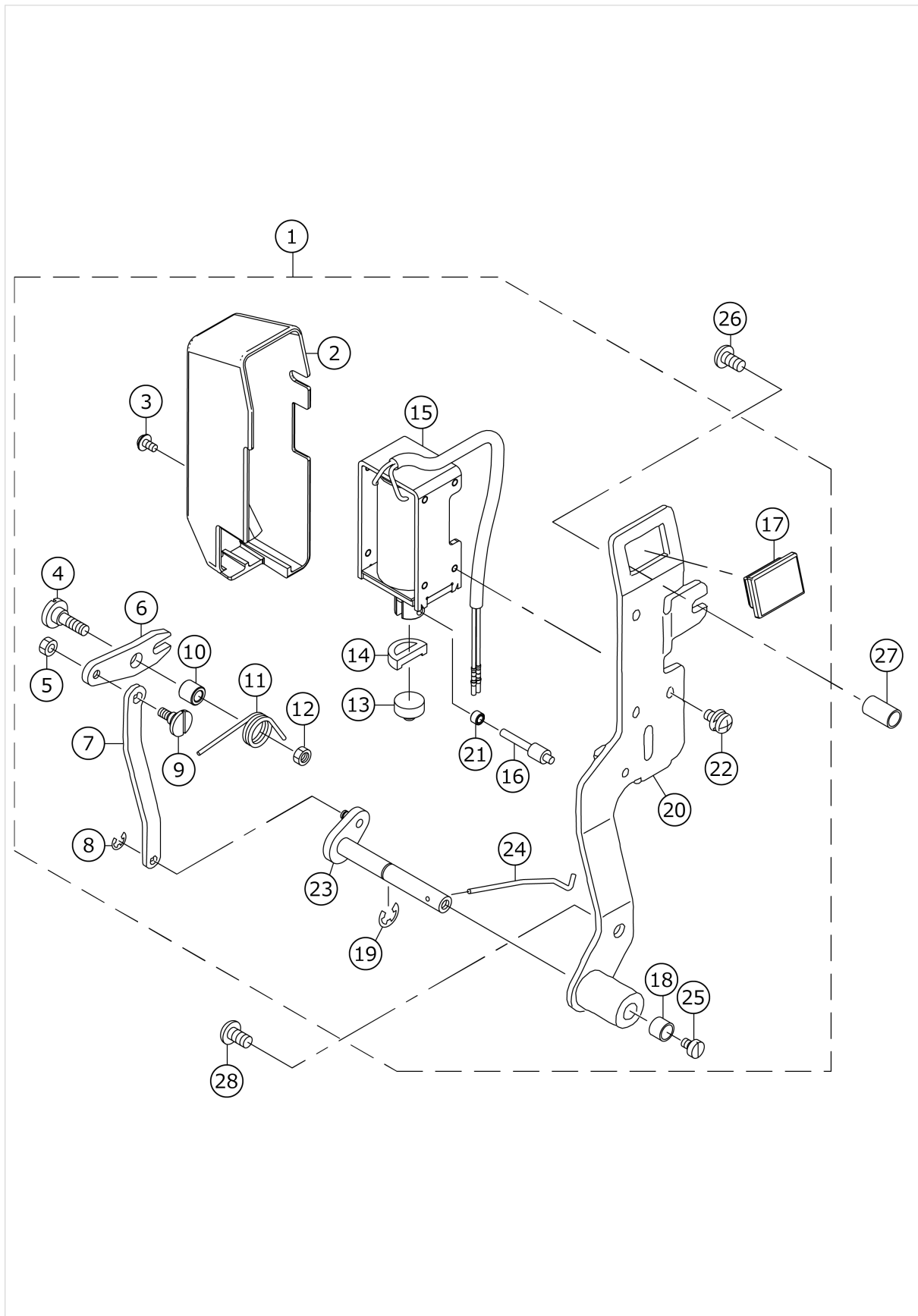
No.	品番	品名	備考	子部品	消耗品	個数
1	11304052	SHAFT ARM ASM. (FRONT)				1.00
2	11304003	DRIVING CRANK FRONT		*		1.00
3	SS6121220TP	SCREW 3/16-28 L=11.5		*		1.00
4	11211000	ROCK SHAFT BUSHING FRONT				1.00
5	B1412352A00	NEEDLE BAR LINK PIN A	SELECTIVE PARTS			2.00
6	B1412352B00	NEEDLE BAR LINK PIN B	SELECTIVE PARTS			2.00
7	B1412352C00	NEEDLE BAR LINK PIN C	SELECTIVE PARTS			2.00
8	B1412352D00	NEEDLE BAR LINK PIN D	SELECTIVE PARTS			2.00
9	CS120101BSH	THRUST COLLAR ASM.				2.00
10	CS1201012SH	THRUST COLLAR		*		1.00
11	SS8660410SP	SCREW 1/4-40 L=4.2		*		2.00
12	SD0790501SP	HINGE SCREW D=7.94 H=5				1.00
13	11304201	CONNECTING ROD				1.00
14	NS6150310SP	NUT 15/64-28				1.00
15	11304300	CONNECTING ROD SHAFT				1.00
16	WP0621016SD	WASHER 6.2X13X1				1.00
17	NS6150430SP	NUT 15/64-28				1.00
18	SB309000400	BEARING				1.00
19	11303807	SLIDE BLOCK GUIDE				1.00
20	SS6121610SP	SCREW 3/16-28 L=15.5				1.00
21	SS8120740SP	SCREW 3/16-28 L=7				1.00
22	11214509	BUSHING				1.00
23	SS6090810TP	SCREW 9/64-40 L=7.5				2.00
24	11303906	NEEDLE BAR FRAME GUIDE				1.00
25	11303567	NEEDLE ROD ROCKING BASE ASM.				1.00
26	SS8110310SP	SCREW 11/64-40 L=2.8		*		1.00
27	11303500	NEEDLE BAR FRAME		*		1.00
28	11303617	NEEDLE BAR FRAME SHAFT		*		1.00
29	11304151	SHAFT ARM ASM. (REAR)				1.00
30	11304102	DRIVING CRANK, REAR		*		1.00
31	SS7121410SP	SCREW 3/16-28 L=14		*		1.00
32	SS6110640SP	SCREW 11/64-40 L=6				1.00
33	11210903	ROCK SHAFT BUSHING REAR				1.00
34	SS8120740SP	SCREW 3/16-28 L=7				1.00
35	11304409	CONNECTING SHAFT				1.00
36	B2906415000	DRIVING LINK				1.00
37	SS6090660TP	SCREW 9/64-40 L=6				2.00

AUTOMATIC REVERSE FEED MECHANISM COMPONENTS



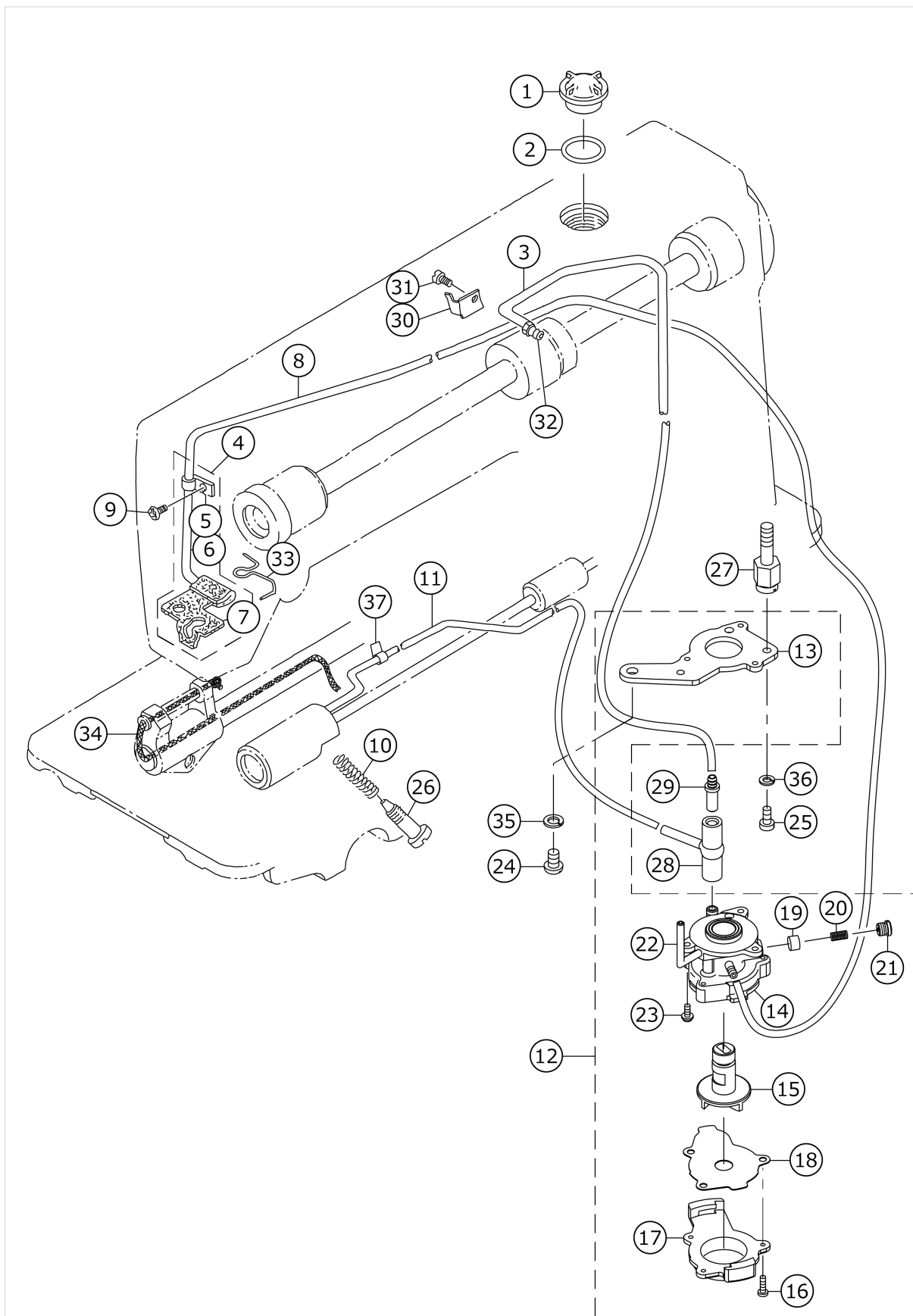
No.	品番	品名	備考	子部品	消耗品	個数
1	40230271	REVERSE FEED SWITCH ASM.				1.00
2	22954606	REVERSE FEED SWITCH COVER		*		1.00
3	SM4040655SP	SCREW M4 L=6		*		1.00
4	22954101	REVERSE FEED SWITCH BASE		*		1.00
5	22954200	REVERSE FEED SWITCH SHAFT		*		1.00
6	22954309	REVERSE FEED SWITCH SPRING		*		1.00
7	SM4041655SP	SCREW M4 L=16		*		1.00
8	SM4031501SC	SCREW M3 L=15		*		2.00
9	HW500070000	2-CORE CABTYRE CORD		*		0.57
10	HK03464000B	PIN CONTACT		*		2.00
11	HA001900000	MICROSWITCH		*		1.00
12	22954408	STOPPER PLATE		*		1.00
13	11326808	REVERSE FEED CONTROL LEVER		*		1.00
14	SS4120915SP	SCREW 3/16-28 L=9				1.00
15	NS6660430SP	NUT 1/4-40				1.00
16	RE0500000KP	E-RING 5				1.00
17	11101300	REVERSE FEED CONNECTING SHAFT				1.00
18	22962609	REVERSE FEED BASE COLLAR				1.00
19	40165935	REVERSE FEED LINK				1.00
20	NS6110420SP	NUT 11/64-40				1.00
21	40165936	CONNECTING LINK H				1.00
22	40111032	SOLENOID MOUNTING BASE ASM.				1.00
23	SS7110740TP	SCREW 11/64-40 L=7		*		4.00
24	40090752	SOLENOID INSTALLING PLATE		*		1.00
25	RE1200000K0	E-RING 12		*		1.00
26	WP1703001SC	WASHER 17X30X3		*		1.00
27	D2468555B00	RUBBER PLUNGER		*		1.00
28	40110997	REVERSE_FEED_SOLENOID_H		*		1.00
29	RE0900000K0	E-RING 9				1.00
30	NS6110420SP	NUT 11/64-40				2.00
31	SS4150915SP	SCREW 15/64-28 L=9				1.00
32	SD0790452TP	SHOULDER SCREW D=7.94 H=4.5				1.00
33	22962906	PLUNGER ARM PIN				1.00
34	SD0700451TP	HINGE SCREW D=7 H=4.5				1.00

WIPER COMPONENTS



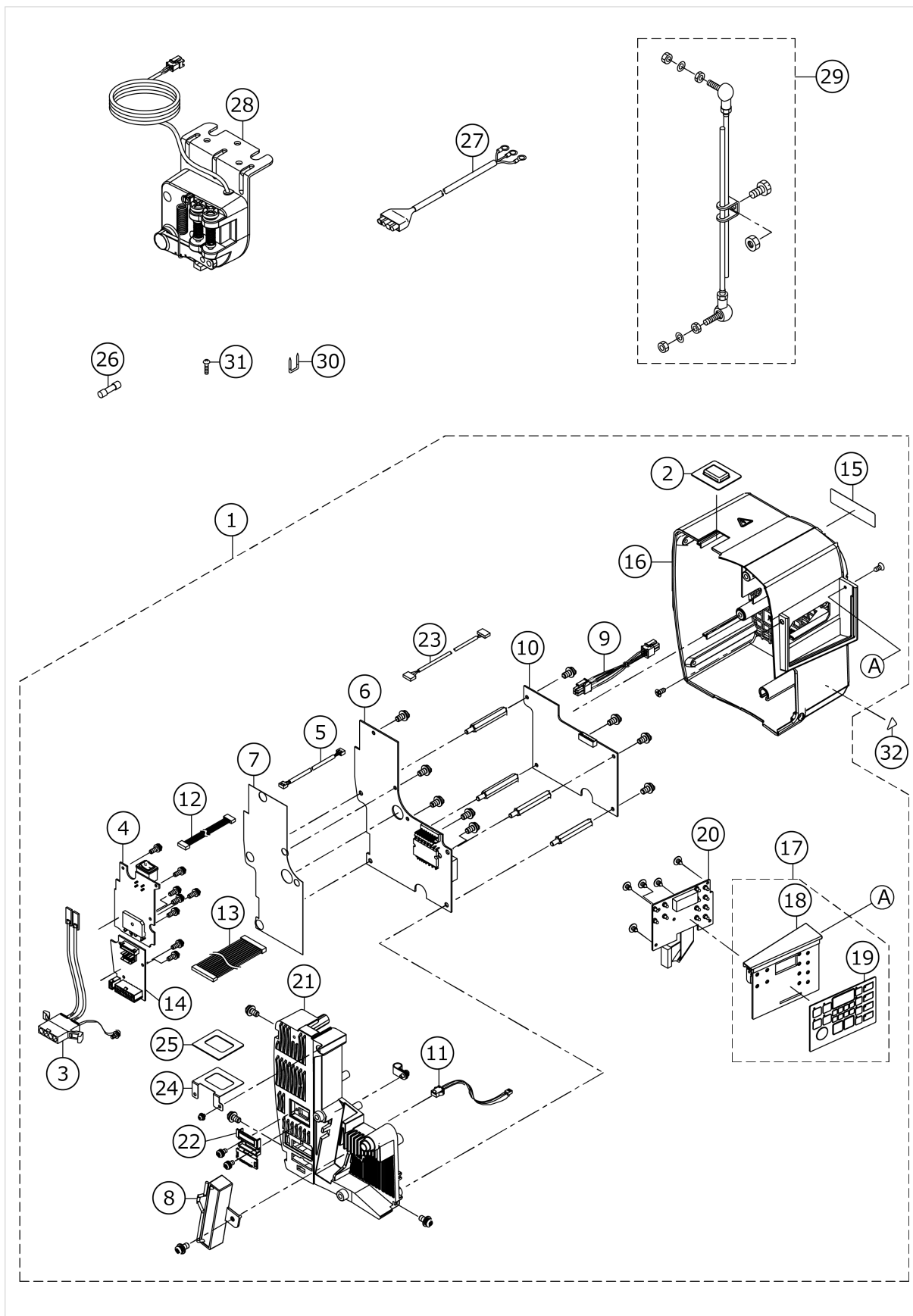
No.	品番	品名	備考	子部品	消耗品	個数
1	40230274	WIPER ASM.				1.00
2	22955504	WIPER COVER		*		1.00
3	SL4030691SC	SCREW M3 L=6		*		1.00
4	SD0650321TP	HINGE SCREW D=6.5 H=3.2		*		1.00
5	NS6090310SP	NUT 9/64-40		*		1.00
6	22956106	WIPER LINK A		*		1.00
7	22956403	WIPER LINK B		*		1.00
8	RE0250000K0	E-RING 2.5		*		1.00
9	22956908	WIPER LINK B HINGE SCREW		*		1.00
10	22956205	WIPER HINGE SCREW COLLAR		*		1.00
11	40156267	WIPER SPRING		*		1.00
12	NS6110310SP	NUT 11/64-40		*		1.00
13	22955900	WIPER RUBBER A		*		1.00
14	40156270	WIPER RUBBER B		*		1.00
15	40110999	WIPER SOLENOID		*		1.00
16	22957104	WIPER SOLENOID SHAFT		*		1.00
17	40086678	WIPER_SW_RUBBER		*		1.00
18	22956809	WIPER COLLAR		*		1.00
19	RE0500000K0	E-RING		*		1.00
20	11110152	WIPER BASE ASM.		*		1.00
21	22957203	WIPER LINK COLLAR		*		1.00
22	SL4030641SE	SCREW		*		3.00
23	11315058	WIPER DRIVING SHAFT ASM.		*		1.00
24	22957005	WIPER		*		1.00
25	SS6090540SP	SCREW 9/64-40 L=5.0		*		1.00
26	SS6121840SP	SCREW 3/16-28 L=18				1.00
27	11315108	COLLAR				1.00
28	SS4120915SP	SCREW 3/16-28 L=9				1.00

OIL LUBRICATION COMPONENTS



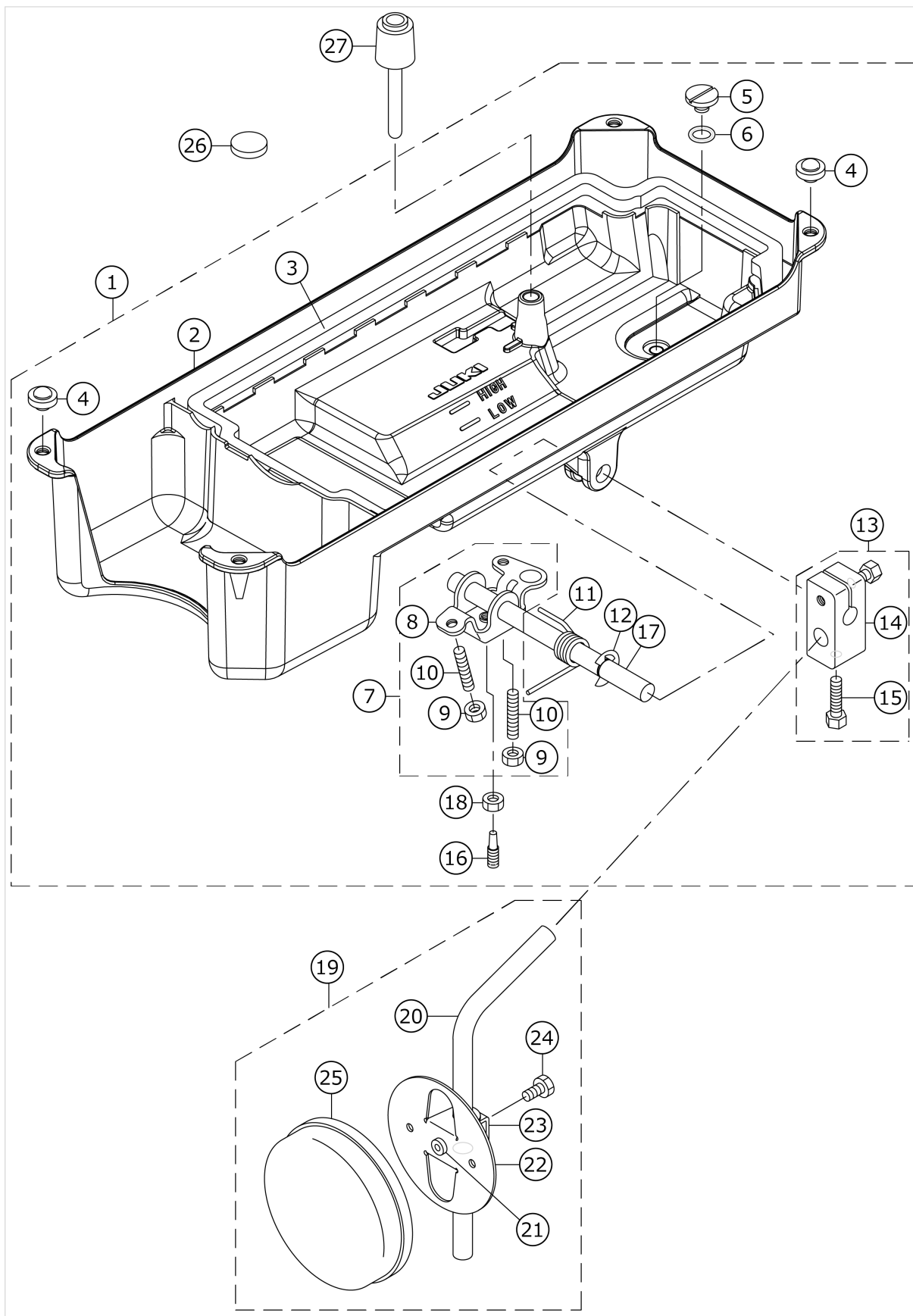
No.	品番	品名	備考	子部品	消耗品	個数
1	22924708	OIL SIGHT WINDOW				1.00
2	RO195240100	RUBBER RING				1.00
3	BT0600402EA	OIL TUBE				0.27
4	11307154	OIL RETURN TUBE ASM.				1.00
5	B3536122000	HOLDER		*		1.00
6	11307204	FELT B		*		1.00
7	11307105	FELT A		*		1.00
8	BT0500300EA	OIL TUBE				0.69
9	SS4120615SP	SCREW 3/16-28 L=6				1.00
10	40156260	OIL REGULATOR SCREW SPRING				1.00
11	11307352	OIL WICK ASM.				1.00
12	22923056	OIL PUMP ASM.				1.00
13	22923312	OIL PUMP INSTALLING BASE		*		1.00
14	22923015	OIL PUMP		*		1.00
15	22923700	IMPELLER		*		1.00
16	SE4301041SR	SCREW D=3 L=10		*		3.00
17	22923205	PUMP BODY COVER		*		1.00
18	22923809	PUMP BODY SUPPORT PLATE		*		1.00
19	22923403	PLUNGER		*		1.00
20	22923601	PLUNGER SPRING		*		1.00
21	22923502	PLUNGER SCREW		*		1.00
22	22923908	HOOK DRIVING SHAFT OILING PIPE		*		1.00
23	SL4030851SF	SCREW M3 L=8		*		3.00
24	SS4150915SP	SCREW 15/64-28 L=9				1.00
25	SS6111010TP	SCREW 11/64-40 L=9.5				1.00
26	22925002	OIL REGULATOR SCREW				1.00
27	11231503	OIL PUMP SUPPORT				1.00
28	22924609	RUBBER JOINT				1.00
29	11221504	OIL TUBE JOINT				1.00
30	11222007	HOLDER				1.00
31	SS6080340SP	SCREW 1/8-44 L=2.9				1.00
32	SQ1150501SD	CONNECTING SCREW				1.00
33	11307006	OIL FELT PRESSER				1.00
34	CQ252000000	OIL WICK				0.30
35	WS0451040KP	SPRING WASHER 4.5X8.5X1				1.00
36	WS0651310KP	SPRING WASHER 6.5X11X1.3				1.00
37	EA9500B0200	CABLE BAND 150				1.00

PSC UNIT



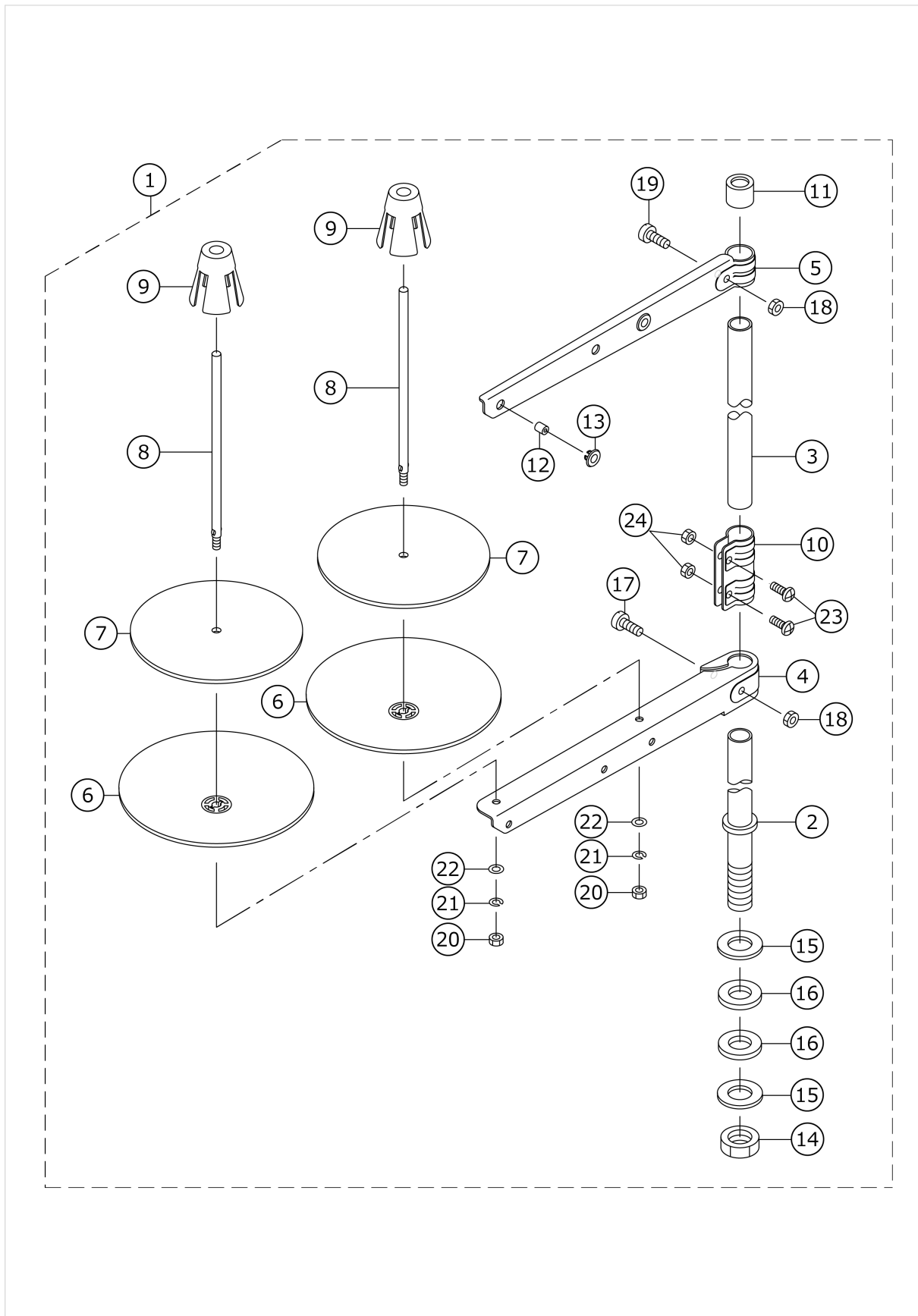
No.	品番	品名	備考	子部品	消耗品	個数
1	40230601	CONTROL_BOX				1.00
2	40183785	SWITCH_DUSTPROOF_COVER_ASSY		*		1.00
3	40141200	AC INPUT CORD ASSY		*		1.00
4	40141201	FLT PCB ASSY		*		1.00
5	40141203	INPUT CHECK CORD ASSY		*		1.00
6	40141204	PWR PCB ASSY		*		1.00
7	40141205	PWR PCB FILM SHEET		*		1.00
8	40141206	RESISTANCE_A_ASSY		*		1.00
9	40141207	DC POWER SUPPLY CORD ASSY		*		1.00
10	40141208	CTL PCB ASSY		*		1.00
11	40141209	PEDAL CORD ASSY		*		1.00
12	40141210	SOL POWER CORD ASSY		*		1.00
13	40141211	SOL SIGNAL CORD ASSY		*		1.00
14	40141212	SOL PCB ASSY		*		1.00
15	40230602	RATING_LABEL_DRAWING		*		1.00
16	40141217	PSC COVER		*		1.00
17	40141214	PANEL COVER ASSY		*		1.00
18	40141215	PANEL COVER		*		1.00
19	40141216	MEMBRANE SWITCH		*		1.00
20	40141213	PNL PCB ASSY		*		1.00
21	40231244	FRAME		*		1.00
22	40157011	CONNECTOR COVER		*		1.00
23	40145540	PRT CORD ASSY		*		1.00
24	40230599	DUSTPROOF COVER PLATE ASSY		*		1.00
25	40236675	COVER_PLATE_ASM.		*		1.00
26	40141227	SLO-BLO FUSE				1.00
27	40141220	AC POWER CORD ASSY				1.00
28	40141219	PEDAL_SENSOR_A_ASSY				1.00
29	40042134	CONNECING_ROD_ASSY				1.00
30	40141223	CORD STAPLE				3.00
31	40141224	SCREW				3.00
32	CM300200001	FINGER INJURY CAUTION LABLE (16)				1.00

OIL RESERVOIR COMPONENTS



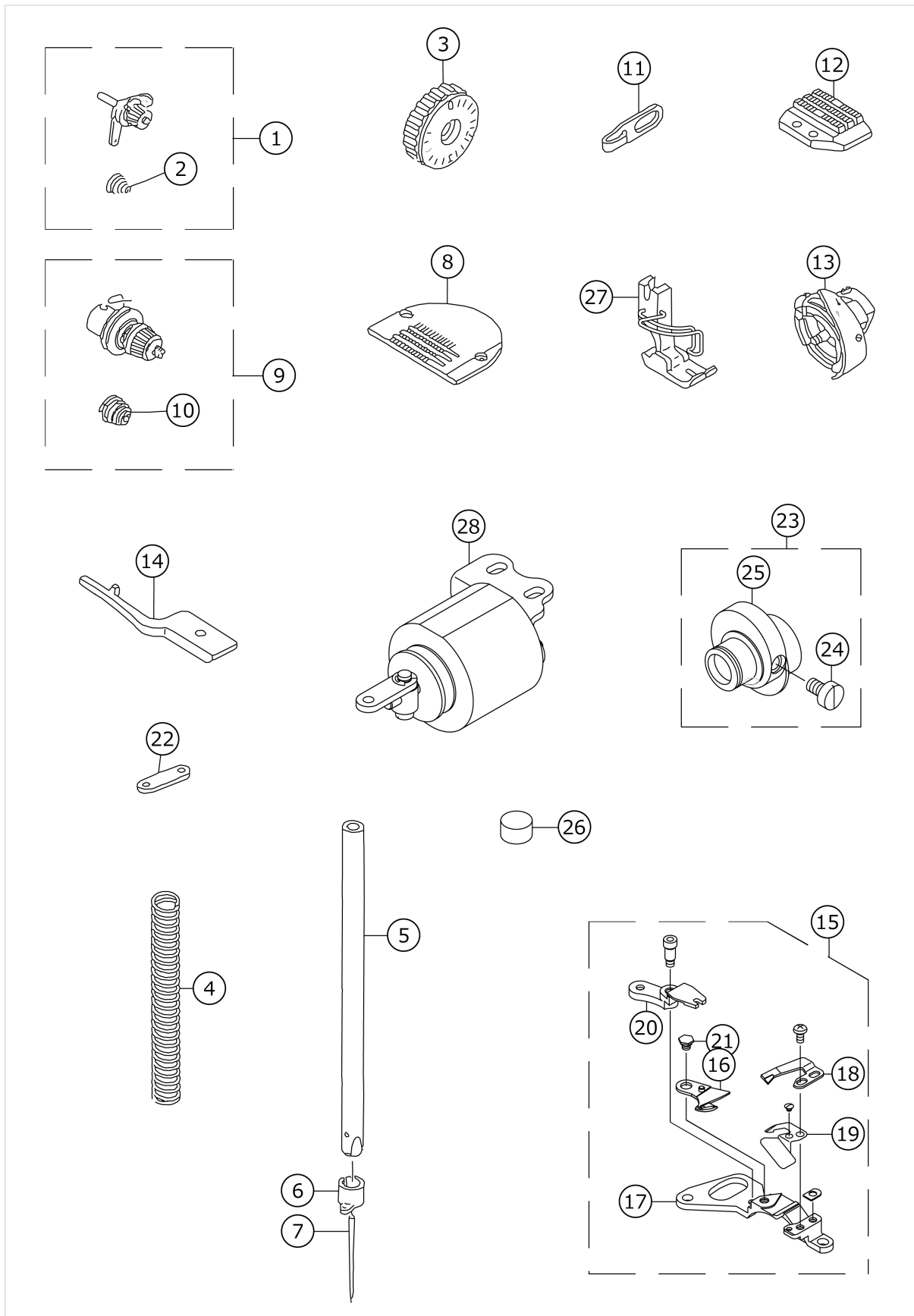
No.	品番	品名	備考	子部品	消耗品	個数
1	40111876	OIL_RESERVER_ASM.				1.00
2	40105821	OIL RESERVOIR		*		1.00
3	22931901	OIL RESERVOIR GASKET		*		1.00
4	B1116210D00	FRAME SUPPORT RUBBER		*		4.00
5	SS6700710SH	SCREW 5/16-24 L=7		*		1.00
6	RO098240100	RUBBER RING		*		1.00
7	22932156	KNEE LIFTER ROTATION ARM ASM.		*		1.00
8	22932107	KNEE LIFTING ROTATING ARM		*		1.00
9	NM6060001SE	NUT M6		*		2.00
10	SM8063012TR	SCREW M6 L=30		*		2.00
11	22932206	SPRING		*		1.00
12	RE1000000K0	E-RING 10		*		1.00
13	22932453	BRACKET ASM.		*		1.00
14	22932404	BRACKET		*		1.00
15	22934707	SCREW		*		2.00
16	40101720	SCREW_M6		*		1.00
17	40101541	KNEE_PRESS_CROSS_SHAFT		*		1.00
18	NM6060001SE	NUT M6		*		1.00
19	22934251	KNEE PAD PLATE ASM.				1.00
20	22934608	KNEE PAD UPRIGHT SHAFT		*		1.00
21	22934400	KNEE PAD PLATE RUBBER		*		1.00
22	22934202	KNEE PAD PLATE		*		1.00
23	22934301	KNEE PAD PLATE SUPPORT		*		1.00
24	SM9061203SE	SCREW M6 L=12		*		1.00
25	22934509	KNEE PAD PLATE COVER		*		1.00
26	B8228125000	OIL RESERVOIR MAGNET				1.00
27	22931703	KNEE LIFTER PUSH ROD				1.00

THREAD STAND COMPONENTS



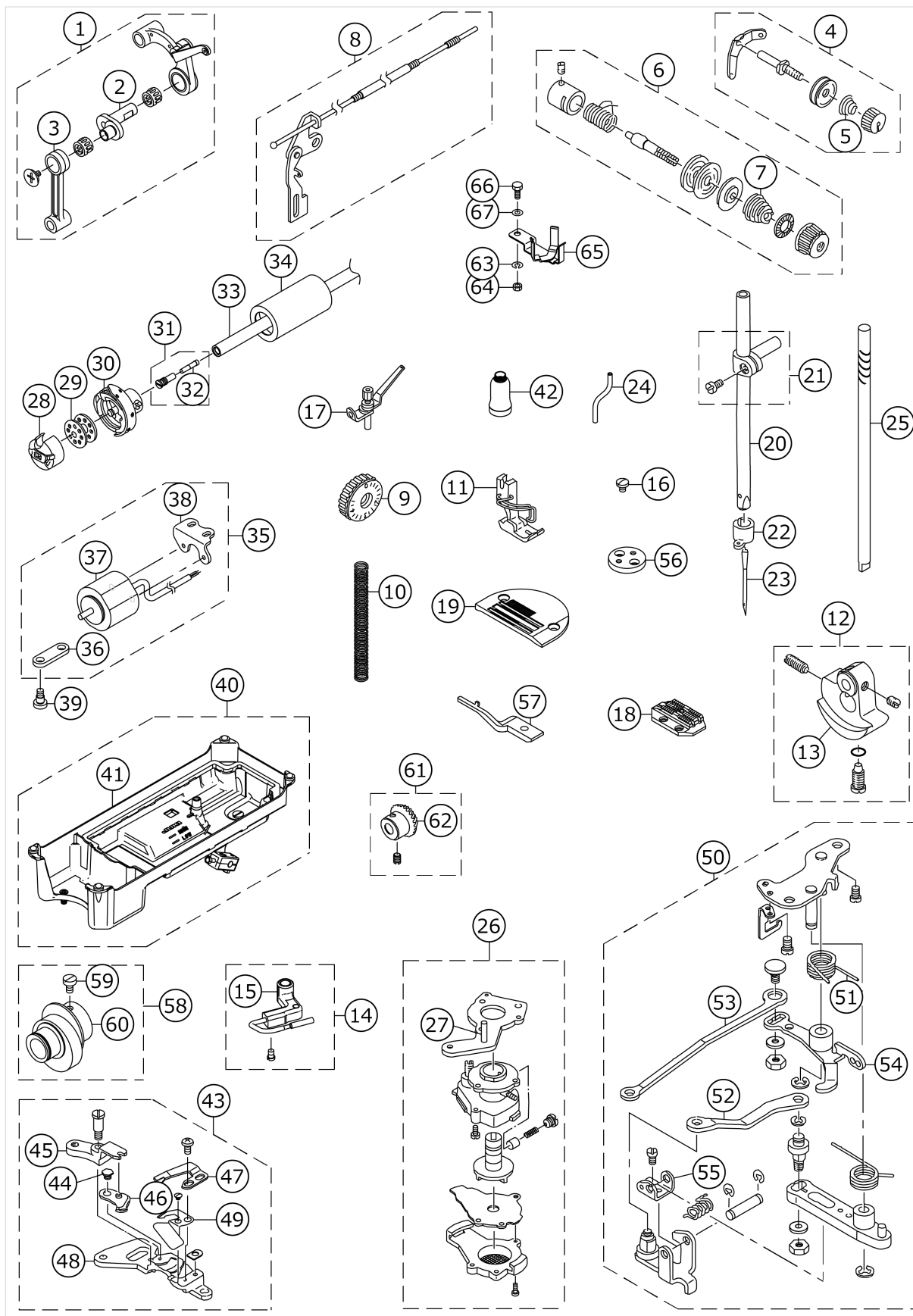
No.	品番	品名	備考	子部品	消耗品	個数
1	40096354	THREAD STAND ASM.				1.00
2	40085784	SPOOL REST ROD LOWER		*		1.00
3	40085785	SPOOL REST ROD UPPER		*		1.00
4	40085786	SPOOL REST ARM LOWER		*		1.00
5	40085787	SPOOL REST ARM UPPER		*		1.00
6	40085788	SPOOL REST		*		2.00
7	40085789	SPOOL REST CUSHION		*		2.00
8	40085790	SPOOL PIN		*		2.00
9	40085791	SPOOL RETAINER		*		2.00
10	40085792	SPOOL REST ROD JOINT		*		1.00
11	40085793	SPOOL REST ROD RUBBER CAP		*		1.00
12	40085794	THREAD GUIDE		*		2.00
13	40085795	THREAD GUIDE BUSHING		*		2.00
14	40096325	SPOOL REST ROD NUT		*		1.00
15	WP1612616SE	WASHER 16X30X2.6		*		2.00
16	40085796	SPOOL REST ROD RUBBER CUSHION		*		2.00
17	40096326	SPOOL REST ARM LOWER SCREW		*		1.00
18	NM6050001SE	NUT M5		*		2.00
19	40096327	SPOOL REST ARM UPPER SCREW		*		1.00
20	NM6050001SE	NUT M5		*		2.00
21	WS0510002KN	SPRING WASHER M5		*		2.00
22	WP0531001SC	WASHER M5		*		2.00
23	SM4051405SE	SCREW M5 L=14		*		2.00
24	NM6050001SE	NUT M5		*		2.00

EXCLUSIVE PARTS FOR DLN-5410NDDH-7



No.	品番	品名	備考	子部品	消耗品	個数
1	22963458	THREAD TENSION ASM.				1.00
2	22963409	THREAD TENSION SPRING		*		1.00
3	11326303	FEED DIAL				1.00
4	B1505552000A	PRESSER SPRING				1.00
5	11320801	NEEDLE BAR				1.00
6	B1418415H00	NEEDLE BAR THREAD GUIDE				1.00
7	MDB100B2100	NEEDLE DBX1 #21				1.00
8	B1109415H0B	THROAT PLATE (H)				1.00
9	22962054	THREAD TENSION ASM.				1.00
10	22962005	THREAD TENSION SPRING		*		1.00
11	11091006	ARM THREAD GUIDE (HA)				1.00
12	11322203	FEED DOG H				1.00
13	11321452	LUBRICATING HOOK ASM.				1.00
14	22962401	POSITIONING FINGER H				1.00
15	11095551	KNIFE UNIT				1.00
16	11409257	MOVING KNIFE J ASM.		*		1.00
17	11095502	KNIFE MOUNT BASE		*		1.00
18	40089755	FIX KNIFE		*		1.00
19	23645401	THREAD GUIDE FOR KNIFE H		*		1.00
20	11095601	KNIFE BRANCH		*		1.00
21	SD0500131TP	HINGE SCREW D=5 H=1.25		*		1.00
22	11094604	CLUTCH LINK				1.00
23	11322450	FEED ECCENTRIC CAM H ASM.				1.00
24	SS6661110SP	SCREW 1/4-40 L=11		*		2.00
25	11322401	FEED ECCENTRIC CAM H		*		1.00
26	B1226552000	ROLLER FELT				1.00
27	B1524041EBO	PRESSER FOOT ASM.				1.00
28	40114665	SOLENOID_UNIT				1.00

EXCLUSIVE PARTS FOR DLN-5410NDDJ-7



No.	品番	品名	備考	子部品	消耗品	個数
1	11308459	THREAD TAKE-UP LEVER COMPL.				1.00
2	11308400	NEEDLE BAR CRANK J		*		1.00
3	11308301	NEEDLE BAR CRANK ROD		*		1.00
4	22963458	THREAD TENSION ASM.				1.00
5	22963409	THREAD TENSION SPRING		*		1.00
6	22962054	THREAD TENSION ASM.				1.00
7	22962005	THREAD TENSION SPRING		*		1.00
8	11308657	THREAD TENSION RELEASE WIRE				1.00
9	11326303	FEED DIAL				1.00
10	B1505552000A	PRESSER SPRING				1.00
11	B1524041E0	PRESSER FOOT ASM.				1.00
12	40057179	COUNTER WEIGHT ASM.				1.00
13	40057178	COUNTER WEIGHT		*		1.00
14	11408655	PICKER ARM ASM.				1.00
15	40131493	PICKER ARM		*		1.00
16	SS7110540SP	SCREW 11/64-40 L=5				2.00
17	D1113126WA0	NEEDLE THREAD GUIDE PIN ASM.				1.00
18	11322203	FEED DOG, H				1.00
19	B1109415H0B	THROAT PLATE (H)				1.00
20	11308103	NEEDLE BAR J				1.00
21	11308251	NEEDLE ROD HOLDER ASM.				1.00
22	B1418415H00	NEEDLE BAR THREAD GUIDE				1.00
23	MDB100B2100	NEEDLE DBX1 #21				1.00
24	BP900000000	VINYL TUBE D=9				0.60
25	11401403	UPRIGHT SHAFT				1.00
26	11404555	LUBRICATING OIL PUMP ASM.				1.00
27	11404605	HOOK DRIVING SHAFT OIL TUBE		*		1.00
28	B1837201SA0	BOBBIN CASE ASM.				1.00
29	40021610	BOBBIN				1.00
30	D1830560EA0	HOOK ASM.				1.00
31	11404753	OIL SEAL SCREW				1.00
32	11404704	OIL WICK		*		1.00
33	11403300	HOOK DRIVING SHAFT				1.00
34	40021613	HOOK DRIVING SHAFT BUSH FRONT				1.00
35	40231641	SOLENOID_UMIT_DOUBLE				1.00
36	11407707	CLUTCH LINK		*		1.00
37	40114564	THREAD_TRIMMER_SOLENOID_H		*		1.00
38	11407608	SOLENOID BASE		*		1.00
39	SD0600452TP	HINGE SCREW D=6 H=4.5				1.00
40	40231642	OIL_RESERVOR_ASM.				1.00
41	40183843	OIL_RESERVOIR_SUB_ASM.		*		1.00
42	B9121012000	OIL CAN				1.00
43	11409554	KNIFE UNIT				1.00
44	SD0500131TP	HINGE SCREW D=5 H=1.25		*		1.00
45	11409703	FEED FORKED		*		1.00
46	11409257	MOVING KNIFE J ASM.		*		1.00
47	40089755	FIX KNIFE		*		1.00
48	11409505	INSTALLING BASE		*		1.00
49	11095403	KNIFE THREAD GUIDE		*		1.00
50	11407053	THREAD TRIMMER DRIVING UNIT				1.00

51	11094406	SPRING		*		1.00
52	11407103	MOVING KNIFE LINK		*		1.00
53	11407202	PICKER LINK		*		1.00
54	11407855	CLUTCH PLATE ASM.		*		1.00
55	11094307	ROLLER ARM BRACKET		*		1.00
56	22902605	RULER STOP SEAT				1.00
57	40149771	POSITIONING FINGER				1.00
58	11322450	FEED ECCENTRIC CAM H ASM.				1.00
59	SS6661110SP	SCREW 1/4-40 L=11		*		2.00
60	11322401	FEED ECCENTRIC CAM H		*		1.00
61	40070530	PINION GEAR ASM.				1.00
62	40070529	PINION GEAR				1.00
63	WS0861410KR	SPRING WASHER 8.6X15X1.4				1.00
64	NM6080721SE	NUT M8				1.00
65	11074408	SUPPORT BASE				1.00
66	SM9082023SE	SCREW M8 L=20				1.00
67	WP0871602SE	WASHER 8.7X18X1.6				1.00

HOW TO MAKE USE OF THIS PARTS LIST

- 1.As to "#01" and "#02" refer to the "Note" given at the bottom of the respective pages.
- 2.Codes on the "Qty" column
 - Each numeral indicates the number of parts required.
 - "0.1" and "2.5" indicate the length (in meters) of the respective parts.
- 3.Parentheses mean that the corresponding part is a subpart that constructs an assembly part.
- 4.Dotted lines on the Figures indicate assembly parts.
- 5.As to the parts with marks of "☆"(Consumable parts)and "◎"(optional parts)on the respectie parts, it is recommended to prepare spares.

1. リストページの# 0 1、# 0 2の印は、ページ下の"注記"の説明を参照下さい。
2. 数量欄の数字は、個数を表し、0. 1、2. 5等の数値は、長さ（単位メートル）を表します。
3. 数量欄の（ ）は、組部品を構成している子部品であることを意味します。
4. イラストページの-----枠は、組構成であることを意味します。
5. リストページの"☆"（消耗部品）、"◎"（オプション部品）の印が付いた部品は、予備を準備しておくことをお奨めします。