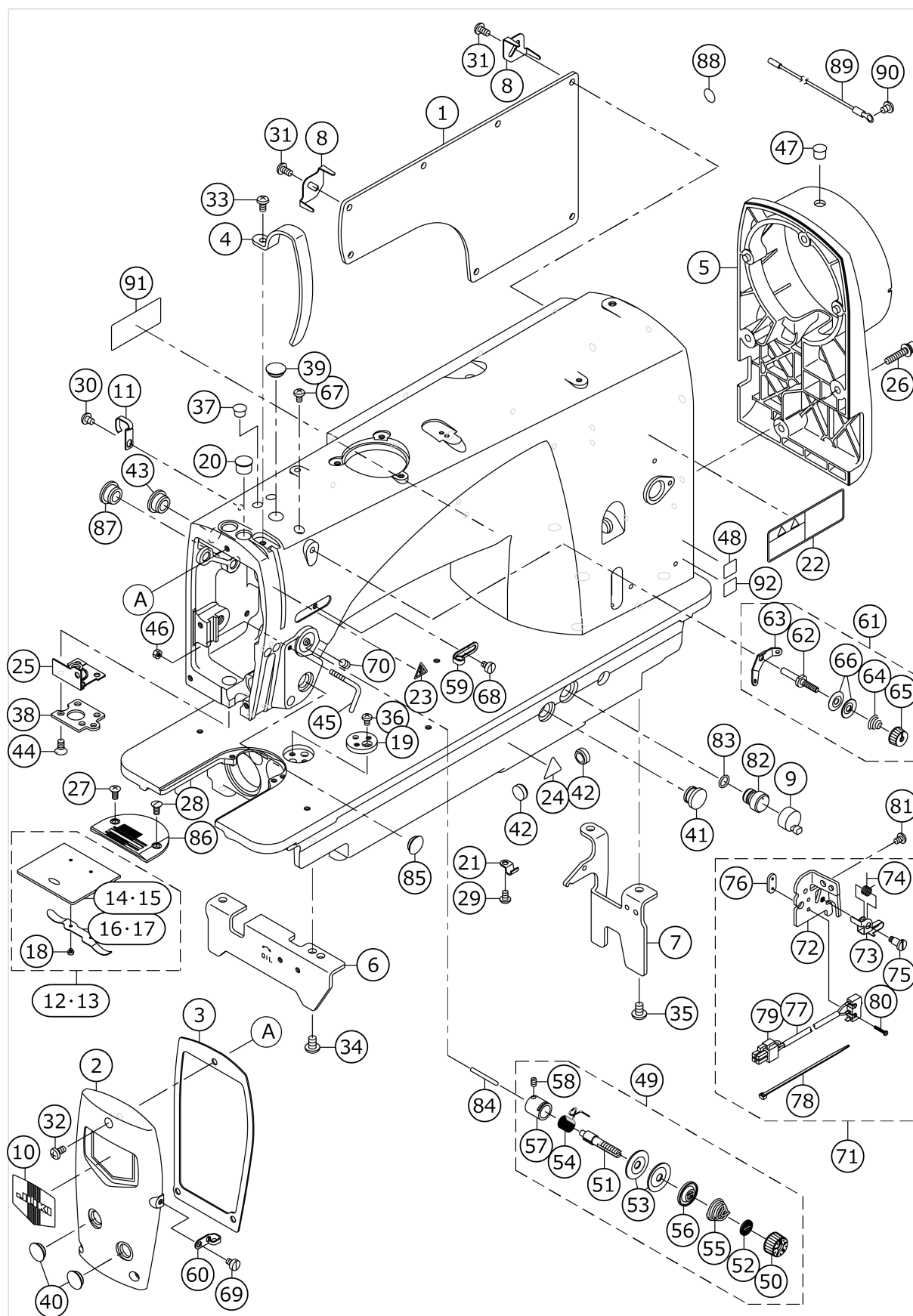


DLN-9010A

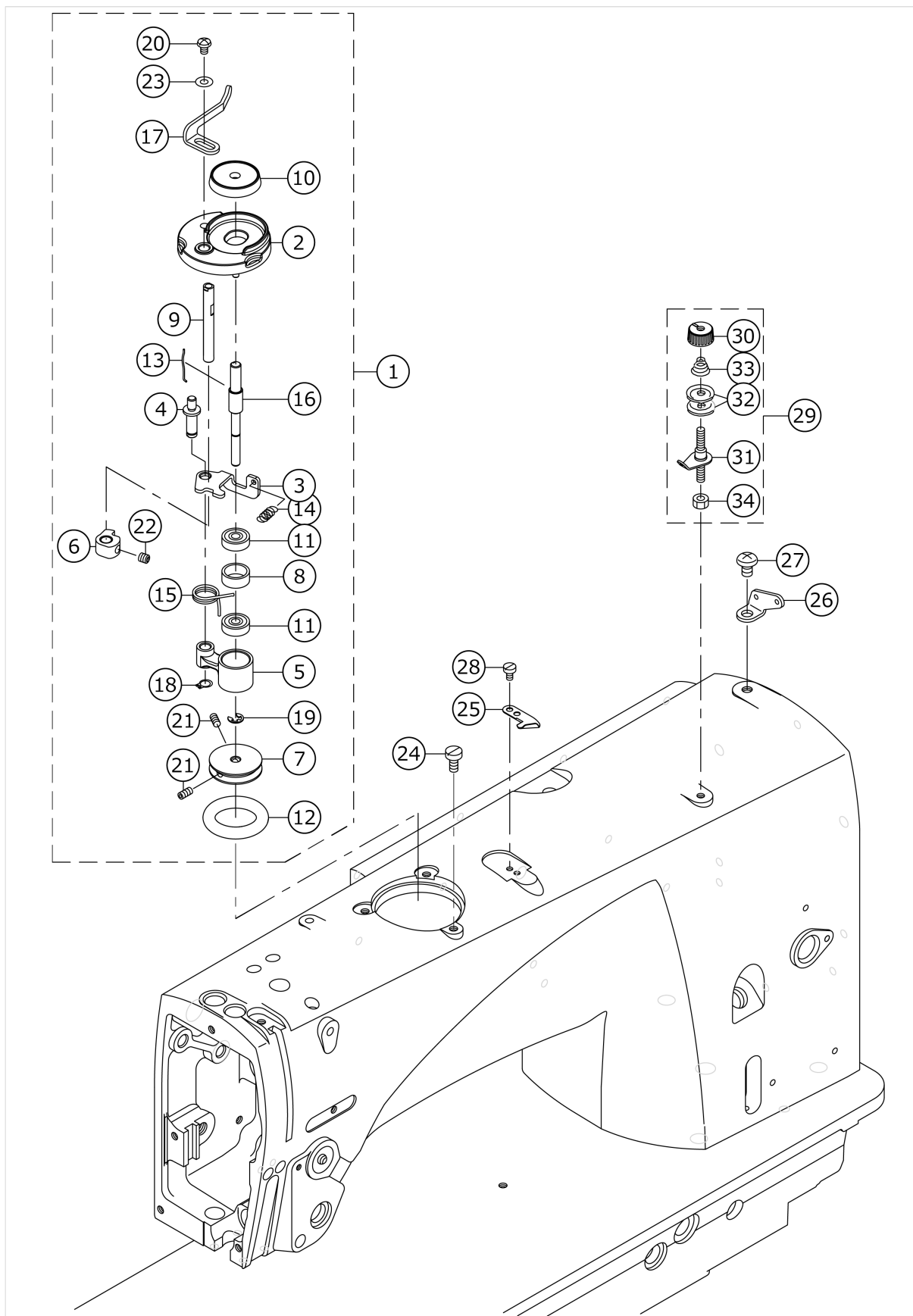
MACHINE FRAME & MISCELLANEOUS COVER COMPONENTS



No.	品番	品名	備考	子部品	消耗品	個数
1	23600208	SIDE PLATE				1.00
2	40000209	FACE PLATE				1.00
3	40000210	FACE PLATE PACKING				1.00
4	23600505	THREAD TAKE-UP LEVER COVER				1.00
5	23600604	PULLEY COVER				1.00
6	23600703	BED STUD A				1.00
7	23600802	BED STUD B				1.00
8	22954705	CORD FIXING METAL FITTING				2.00
9	23601305	AIR-DISCHARGING CAP				1.00
10	22902506	FACE PLATE				1.00
11	40022407	CORD HOLDER				1.00
12	22901250	SLIDE PLATE ASM.	FOR JE,JA			1.00
13	22902753	SLIDE PLATE ASM.	FOR GENERAL EXPORT			1.00
14	22901201	SLIDE PLATE	FOR JE,JA	*		1.00
15	22902704	SLIDE PLATE	FOR GENERAL EXPORT	*		1.00
16	22901300	SLIDE PLATE SPRING	FOR JE,JA	*		1.00
17	22901300	SLIDE PLATE SPRING	FOR GENERAL EXPORT	*		1.00
18	SS6060210SP	SCREW 3/32-56 L=1.9		*		2.00
19	40035589	RULER PLATE				1.00
20	TA1250804R0	RUBBER PLUG				1.00
21	B3538112000	OIL RETURN TUBE HOLDER				1.00
22	CM301300001	SAFETY LABEL				1.00
23	CM300200001	ATTENTION SEAL				1.00
24	CM300200003	ATTENTION LABEL				1.00
25	40000212	PRESSING PLATE PACKING				1.00
26	SL6052592TN	BOLT				4.00
27	SS2110915SP	SCREW 11/64-40 L=8.5				1.00
28	SS2110920TP	SCREW 11/64-40 L=8.5				1.00
29	SS4110715SP	SCREW 11/64-40 L=7				1.00
30	SS4120615SP	SCREW 3/16-28 L=6	FOR DLN-9010SS,ASH (-0B)			1.00
31	SS4120915SP	SCREW 3/16-28 L=9				7.00
32	SS4120915SP	SCREW 3/16-28 L=9				3.00
33	SS4120915SP	SCREW 3/16-28 L=9				1.00
34	SS4150915SP	SCREW 15/64-28 L=9				2.00
35	SS4150915SP	SCREW 15/64-28 L=9				2.00
36	SM4040655SP	SCREW M4 L=6				1.00
37	TA0850604R0	RUBBER PLUG				1.00
38	11300407	PRESSER BAR SUPPORT				1.00
39	TA1250406R0	RUBBER PLUG D=12.5 L=4				1.00
40	TA1250406R0	RUBBER PLUG D=12.5 L=4				2.00
41	TA1250705R0	RUBBER PLUG				1.00
42	TA1270502R0	RUBBER PLUG				2.00
43	TA1470704R0	RUBBER PLUG				1.00
44	SS1120710SP	SCREW 3/16-28 L=6.7				4.00
45	22972608	ARM THREAD GUIDE C				1.00
46	NS6090310SP	NUT 9/64-40				1.00

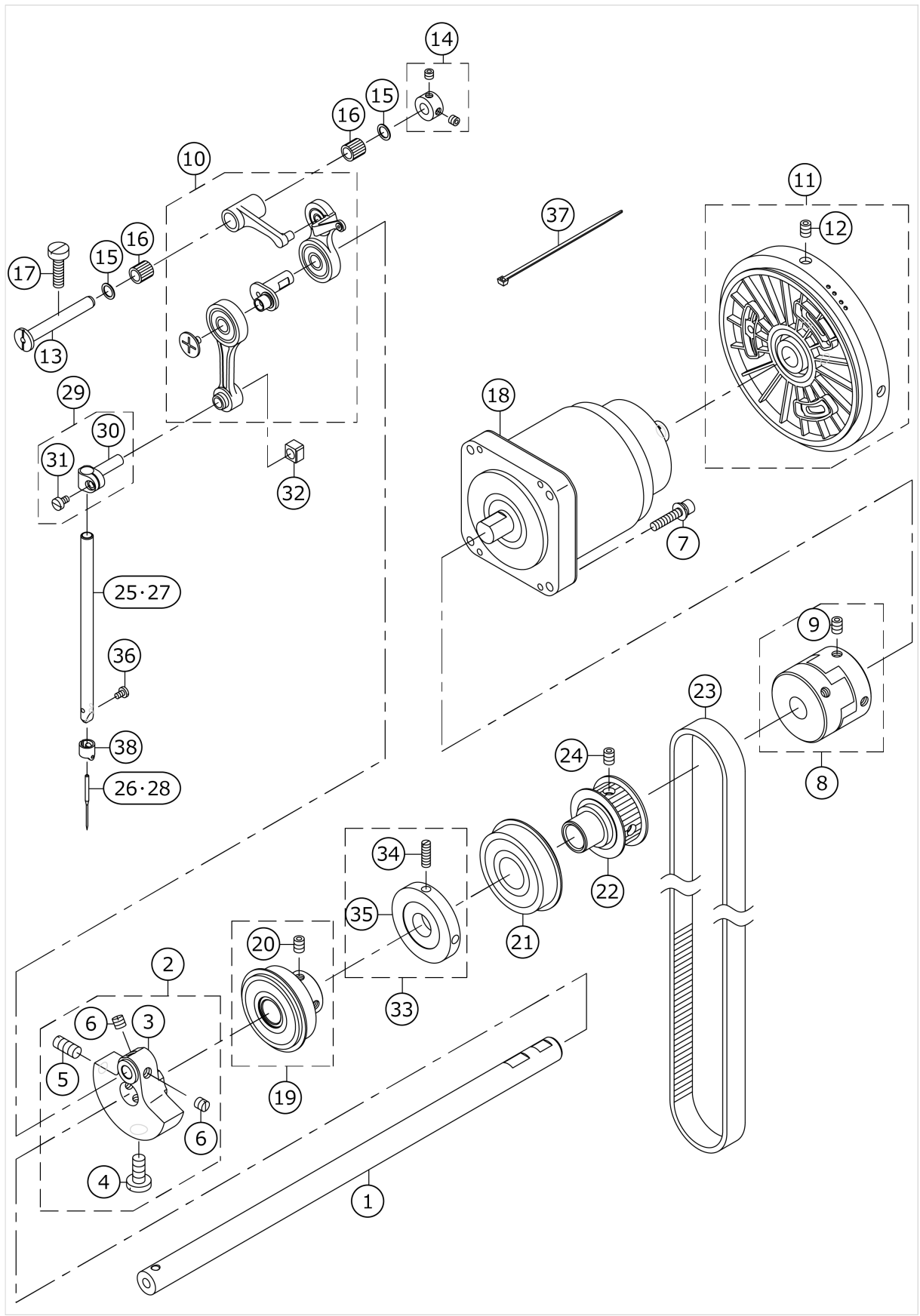
47	TA0950806R0	RUBBER PLUG				1.00
48	CM600100101	WEEE MARK LABEL S	FOR JE			1.00
49	23626054	THREAD TENSION ASM.				1.00
50	23626005	THREAD TENSION NUT		*		1.00
51	22921209	THREAD TENSION POST		*		1.00
52	22921407	ROTATION STOPPER		*		1.00
53	22921506	THREAD TENSION DISK		*		2.00
54	22921605	THREAD TAKE-UP SPRING		*		1.00
55	22921704	THREAD TENSION SPRING, A		*		1.00
56	22921803	DISK STOPPER		*		1.00
57	22945307	THREAD TENSION POST BASE		*		1.00
58	SS8090670SP	SCREW 9/64-40 L=5.5		*		1.00
59	23626104	ARM THREAD GUIDE A				1.00
60	22920607	ARM THREAD GUIDE B				1.00
61	22945463	THREAD TENSION ASM. ,NO.1				1.00
62	22945414	THREAD TENSION POST		*		1.00
63	22945604	THREAD TENSION GUIDE		*		1.00
64	22945505	THREAD TENSION SPRING		*		1.00
65	22945703	THREAD TENSION NUT		*		1.00
66	22945802	THREAD TENSION DISK		*		2.00
67	SS4110715SP	SCREW 11/64-40 L=7				1.00
68	SS6110610TP	SCREW 11/64-40 L=6				1.00
69	SS6110610TP	SCREW 11/64-40 L=6				1.00
70	SS8150710TP	SCREW 15/64-28 L=7				1.00
71	40098777	SAFETY SWITCH ASM.				1.00
72	23638000	SAFETY SWITCH BASE		*		1.00
73	23638109	SAFETY SWITCH ARM		*		1.00
74	23638208	SAFETY SWITCH SPRING		*		1.00
75	23638307	SAFETY SWITCH ARM SHAFT		*		1.00
76	23638406	SAFETY SWITCH NUT		*		1.00
77	40098386	SAFETY_SWITCH_CORD_ASM.		*		1.00
78	EA9500B0100	CABLE BAND		*		1.00
79	HK034610040	HOUSING		*		1.00
80	SM4021201SC	SCREW M2 L=12		*		2.00
81	SS4110615SP	SCREW 11/64-40 L=6				1.00
82	23629900	AIR-DISCHARGING				1.00
83	RO080150200	RUBBER RING				1.00
84	B3118552I00	TENSION RELEASING PIN I				1.00
85	TA1250406R0	RUBBER PLUG D=12.5 L=4				1.00
86	11300308	THROAT PLATE				1.00
87	TA1470704R0	RUBBER PLUG				1.00
88	22901805	GROUND MARK	FOR JE,JA			1.00
89	23601057	EARTH CORD ASM.	FOR JE,JA			1.00
90	SS4120615SP	SCREW 3/16-28 L=6	FOR JE,JA			1.00
91	40094561	SEWING MACHINE LABEL (EU)	FOR JE			1.00
92	40150131	EAC_MARK_LABEL_S	FOR JE			1.00

BOBBIN WINDER COMPONENTS



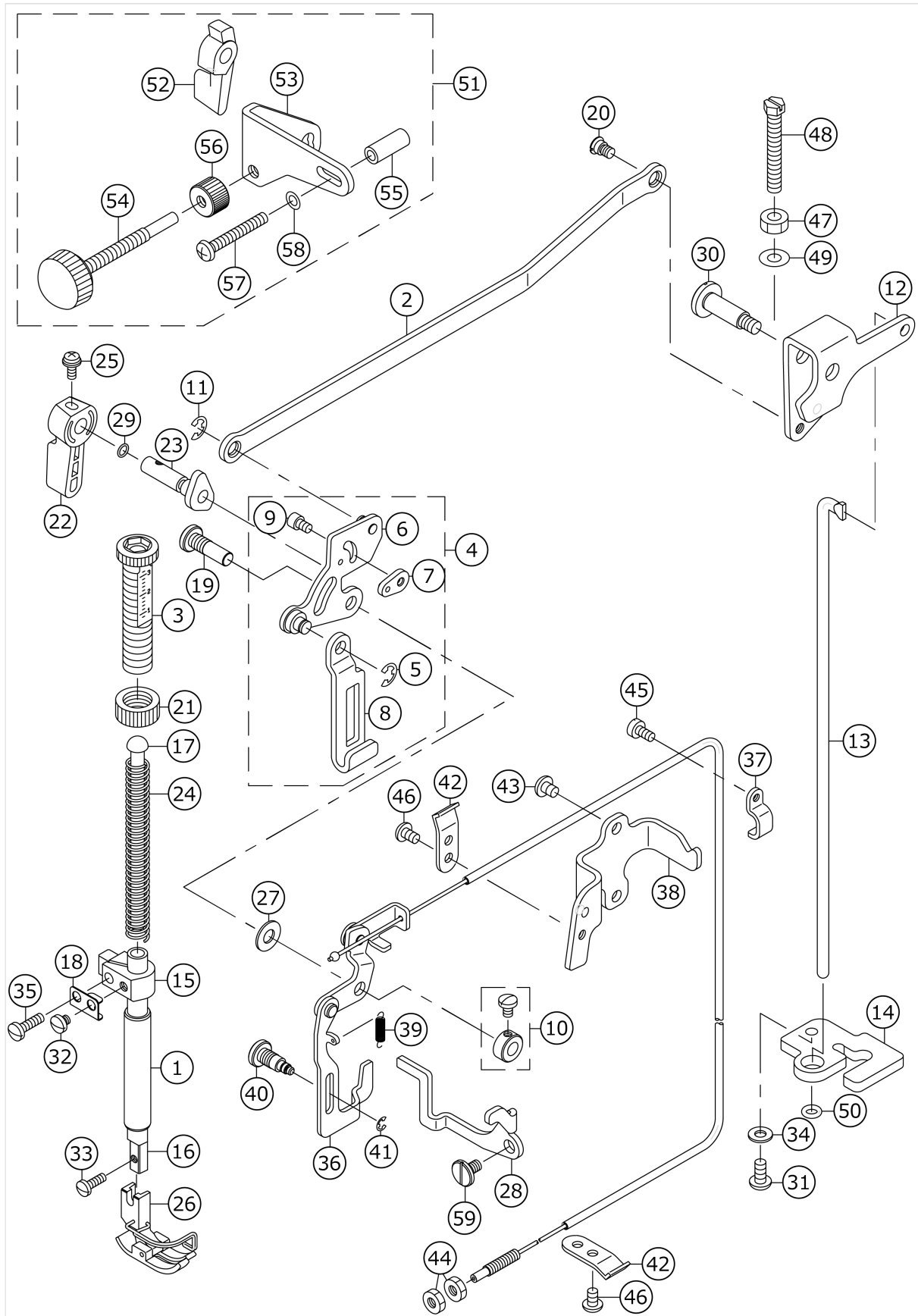
No.	品番	品名	備考	子部品	消耗品	個数
1	40023021	BOBBIN WINDER UNIT				1.00
2	26260109	BTW_BASE		*		1.00
3	26260208	BTW_CAM_PLATE		*		1.00
4	26260307	BTW_BASE_SHAFT		*		1.00
5	26260406	BTW_SHAFT_BASE		*		1.00
6	26260505	BTW_CAM_LEVER		*		1.00
7	26260604	BTW_WHEEL		*		1.00
8	26260802	BTW_BEARING_SPACER		*		1.00
9	26261008	BTW_LEVER_SHAFT		*		1.00
10	26261206	BTW_SPACER		*		1.00
11	26261305	BTW_BEARING		*		2.00
12	26261503	BTW_WHEEL_RUBBER		*		1.00
13	26261602	BOBBIN_SPRING		*		1.00
14	26261701	BTW_SPRING		*		1.00
15	40011144	BTW_TORSION_SPRING		*		1.00
16	40014837	BTW_SHAFT		*		1.00
17	40023022	BTW LEVER		*		1.00
18	RC0560711KP	RETAINING RING		*		1.00
19	RE0400000K0	E-RING 4		*		1.00
20	SM5040655SN	SCREW		*		1.00
21	SM8040802TP	SCREW M4X8		*		2.00
22	SM8050502TP	SCREW M5 L=5		*		1.00
23	WP0450826SC	WASHER 4.5X10X0.8		*		1.00
24	SS6121030SN	SCREW 3/16-28 L=10				3.00
25	10502300	THREAD CUTTER				1.00
26	40023291	THREAD GUIDE NO.1				1.00
27	SS4150915SP	SCREW 15/64-28 L=9				1.00
28	SS6090620TP	SCREW				2.00
29	23636657	BOBBIN THREAD TENSION ASM.				1.00
30	11072402	THREAD TENSION NUT		*		1.00
31	14113450	BOBBIN THREAD TENSION ROD ASM.		*		1.00
32	B3126012000	THREAD TENSION DISK		*		2.00
33	D7133555B00	CONNECTING ROD SPRING		*		1.00
34	NS6110530SP	NUT 11/64-40		*		1.00

MAIN SHAFT & NEEDLE BAR COMPONENTS



No.	品番	品名	備考	子部品	消耗品	個数
1	23604010	MAIN SHAFT				1.00
2	23604168	COUNTER WEIGHT ASM.				1.00
3	23604119	COUNTER WEIGHT		*		1.00
4	SS7681650TP	SCREW 9/32-28 L=16		*		1.00
5	SS8681650TP	SCREW 9/32-28 L=16		*		1.00
6	SS8660610TP	SCREW 1/4-40 L=6		*		2.00
7	SL6052592TN	BOLT				4.00
8	40051473	COUPLING ASM.				1.00
9	SM80608A2TP	SCREW M6 L=8		*		4.00
10	40000270	THREAD TAKE-UP COMPL.				1.00
11	40044906	HAND WHEEL ASM.				1.00
12	SM80608A2TP	SCREW M6 L=8		*		2.00
13	23622400	THREAD TAKE-UP CRANK SHAFT				1.00
14	40010434	THRUST_COLLAR_ASM.				1.00
15	22891204	BEARING SUPPORT				2.00
16	SB307000200	BEARING				2.00
17	SS6151920TP	SCREW 15/64-28 L=19.0				1.00
18	40089196	IPM_MOTOR				1.00
19	23605256	BEARING COMPL.				1.00
20	SM80608A2TP	SCREW M6 L=8		*		2.00
21	SB120000800	BEARING				1.00
22	40039946	SPROCKET ASM.				1.00
23	23607302	TIMING BELT				1.00
24	SM80608A2TP	SCREW M6 L=8				2.00
25	40000221	NEEDLE BAR B	FOR DLN-9010SS (JE)			1.00
26	MC200500900	NEEDLE 134 90	FOR DLN-9010SS (JE)			1.00
27	40000220	NEEDLE BAR A	FOR DLN-9010SS (GENERAL EXPOR T,JA)			1.00
28	MDB100B1400	NEEDLE DBX1 #14	FOR DLN-9010SS (GENERAL EXPOR T,JA)			1.00
29	22906457	NEEDLE BAR HOLDER ASM.				1.00
30	22906408	NEEDLE ROD HOLDER		*		1.00
31	SS6090670TP	SCREW 9/64-40 L=6		*		1.00
32	B1414555000	SLIDE BLOCK				1.00
33	40020454	BTW DRIVING WHEEL ASM.				1.00
34	SM8051610SP	SCREW M5 L=16		*		2.00
35	40020455	BTW DRIVING WHEEL		*		1.00
36	SS7080510TP	SCREW 1/8-44 L=4.5				1.00
37	EA9500B0100	CABLE BAND				2.00
38	B1418552A00	NEEDLE THREAD GUIDE A				1.00

HAND LIFTER & TENSION RELEASE COMPONENTS



No.	品番	品名	備考	子部品	消耗品	個数
1	23609001	PRESSER ROD METAL				1.00
2	40000227	KNEE LIFTING CROSS ROD				1.00
3	23609209	PRESSER SPRING REGULATOR				1.00
4	40000228	LIFTING PLATE ASM.				1.00
5	RE0500000K0	E-RING 5		*		1.00
6	23609456	LIFTING LINK COMPL.		*		1.00
7	23609605	PLATE		*		1.00
8	40000229	LIFTING PLATE		*		1.00
9	SM6040602TP	SCREW M4 L=6		*		1.00
10	CS064061ASP	THRUST COLLAR ASM.				1.00
11	RE0500000K0	E-RING 5				1.00
12	40000230	LIFTING LEVER LINK				1.00
13	23609803	CONNECTING ROD				1.00
14	23609902	CONNECTING ROD GUIDE				1.00
15	40000231	PRESSER BAR GUIDE BRACKET				1.00
16	23610207	PRESSER BAR				1.00
17	23610306	PRESSER GUIDE BAR				1.00
18	40000232	GUIDE BRACKET PLATE				1.00
19	11301702	LINK SHAFT				1.00
20	22908909	HINGE SCREW				1.00
21	22907604	PRESSER SPRING REGULATOR NUT				1.00
22	22907802	HAND LIFTER				1.00
23	40000233	PRESSER LIFTER CAM COMPL.				1.00
24	22907406	PRESSER SPRING				1.00
25	B1521555000	SCREW				1.00
26	D1524415BBC	PRESSER FOOT ASM.				1.00
27	WP0651001SC	WASHER				1.00
28	40000333	THREAD RELEASE LINK				1.00
29	RO037180100	RUBBER RING				1.00
30	GAKA1843000	KNEE LIFTER LINK FULCRUM SHAFT				1.00
31	SS4121015SP	SCREW 3/16-28 L=10				1.00
32	SS7110410SP	SCREW 11/64-40 L=4				1.00
33	SS7091110TP	SCREW 9/64-40 L=10.5				1.00
34	WP0501016SD	WASHER 5X10.5X1				1.00
35	SS7111410TP	SCREW 11/64-40 L=14				1.00
36	40000327	THREAD RELEASE WIRE ASM.				1.00
37	40000334	WIRE GUIDE				1.00
38	40000332	WIRE HOLDER BRACKET				1.00
39	11305901	DIFFERENTIAL PLATE SPRING				1.00
40	11306107	DIFFERENTIAL PLATE SHAFT				1.00
41	RE0300000K0	E-RING 3				1.00
42	22944508	WIRE PRESSER A				2.00
43	SS4120615SP	SCREW 3/16-28 L=6				2.00
44	NS6620310SP	NUT 3/16-32				2.00
45	SS6090810TP	SCREW 9/64-40 L=7.5				1.00
46	SS4110715SP	SCREW 11/64-40 L=7				2.00
47	NS6150310SP	NUT 15/64-28				1.00
48	23610801	BOLT				1.00
49	WP0621016SD	WASHER 6.2X13X1				1.00
50	RO044240100	RUBBER RING				1.00

51	23611056	MINUTE LIFTING DEVICE ASM.	OPTIONAL PARTS			1.00
52	23611106	HAND LIFTER		*		1.00
53	23610504	STOPPER BASE		*		1.00
54	23610652	STOPPER SCREW ASM.		*		1.00
55	11244019	STOPPER COLLAR		*		1.00
56	23610702	STOPPER SCREW NUT		*		1.00
57	11433802	SET SCREW		*		1.00
58	WP0480856SP	WASHER 4.8X8.4X0.8		*		1.00
59	SD0640261SP	HINGE SCREW D=6.35 H=2.6				1.00

No.	品番	品名	備考	子部品	消耗品	個数
1	40033391	ADJUSTING LINK ASM.				1.00
2	40033392	ADJUSTING LINK		*		1.00
3	40033393	ADJUSTING LINK PIN		*		2.00
4	SM8040412TP	SET SCREW M4 L=4		*		4.00
5	40009730	ADJUSTING LINK CONNECTING LINK				1.00
6	40012032	ADJUSTING LINK FULCRUM SHAFT				2.00
7	SS4120915SP	SCREW 3/16-28 L=9				1.00
8	40055585	THRUST COLLAR ASM.				1.00
9	23612716	THRUST COLLAR		*		1.00
10	SS8660612TP	SCREW 1/4-40 L=6		*		2.00
11	23612807	METAL A				1.00
12	40052274	METAL B				1.00
13	23613052	FEED CHANGING SHAFT ARM ASM.,B				1.00
14	23613003	FEED CHANGING SHAFT ARM,B		*		1.00
15	SS6121610SP	SCREW 3/16-28 L=15.5		*		1.00
16	23613102	FEED CHANGING SHAFT ARM B PIN				1.00
17	40013470	FEED ADJUSTING ROD				1.00
18	23613300	FEED ADJUSTING BASE				1.00
19	23613409	FEED ADJUSTING PIN				1.00
20	23613508	ADJUSTING BASE SHAFT METAL				1.00
21	23613607	FEED LEVER				1.00
22	23613706	FEED LEVER SHAFT				1.00
23	23613805	FEED LEVER SHAFT METAL				1.00
24	23613953	FEED LEVER ARM ASM.				1.00
25	SS6121610SP	SCREW 3/16-28 L=15.5		*		1.00
26	40009727	FEED ADJUSTING SPRING				1.00
27	23614308	FEED LEVER SPRING				1.00
28	40023289	SPRING SUSPENSION				1.00
29	22912000	FEED REGULATOR PIN				1.00
30	40011723	FEED DIAL				1.00
31	22952501	BACK LEVER STOPPER				1.00
32	22911804	FEED REGULATOR SCREW				1.00
33	22912109	FEED REGULATOR PIN SPRING				1.00
34	CS111101CSH	THRUST COLLAR ASM.D=11.11 W=10				1.00
35	SS8660330SP	SCREW 1/4-40 L=3.0		*		2.00
36	NS6110310SP	NUT 11/64-40				1.00
37	NS6150310SP	NUT 15/64-28				1.00
38	RE0500000K0	E-RING 5				1.00
39	WS0510002KP	SPRING WASHER 5.1X9.2X1.3				1.00
40	RO092270200	RUBBER RING				1.00
41	SM80608A2TP	SCREW M6 L=8				2.00
42	SS6090670TP	SCREW 9/64-40 L=6				2.00
43	SS6121840SP	SCREW 3/16-28 L=18				1.00
44	SS6121860SP	SCREW 3/16-28 L=18				1.00
45	SS6151920TP	SCREW 15/64-28 L=19.0				2.00
46	23614407	FEED DIAL RUBBER				1.00
47	23630007	TUBE				0.09
48	23612500	FEED CHANGING SHAFT				1.00
49	23612609	FEED CHANGING SHAFT OIL SEAL				1.00
50	40009731	CONNECTING PIN				1.00

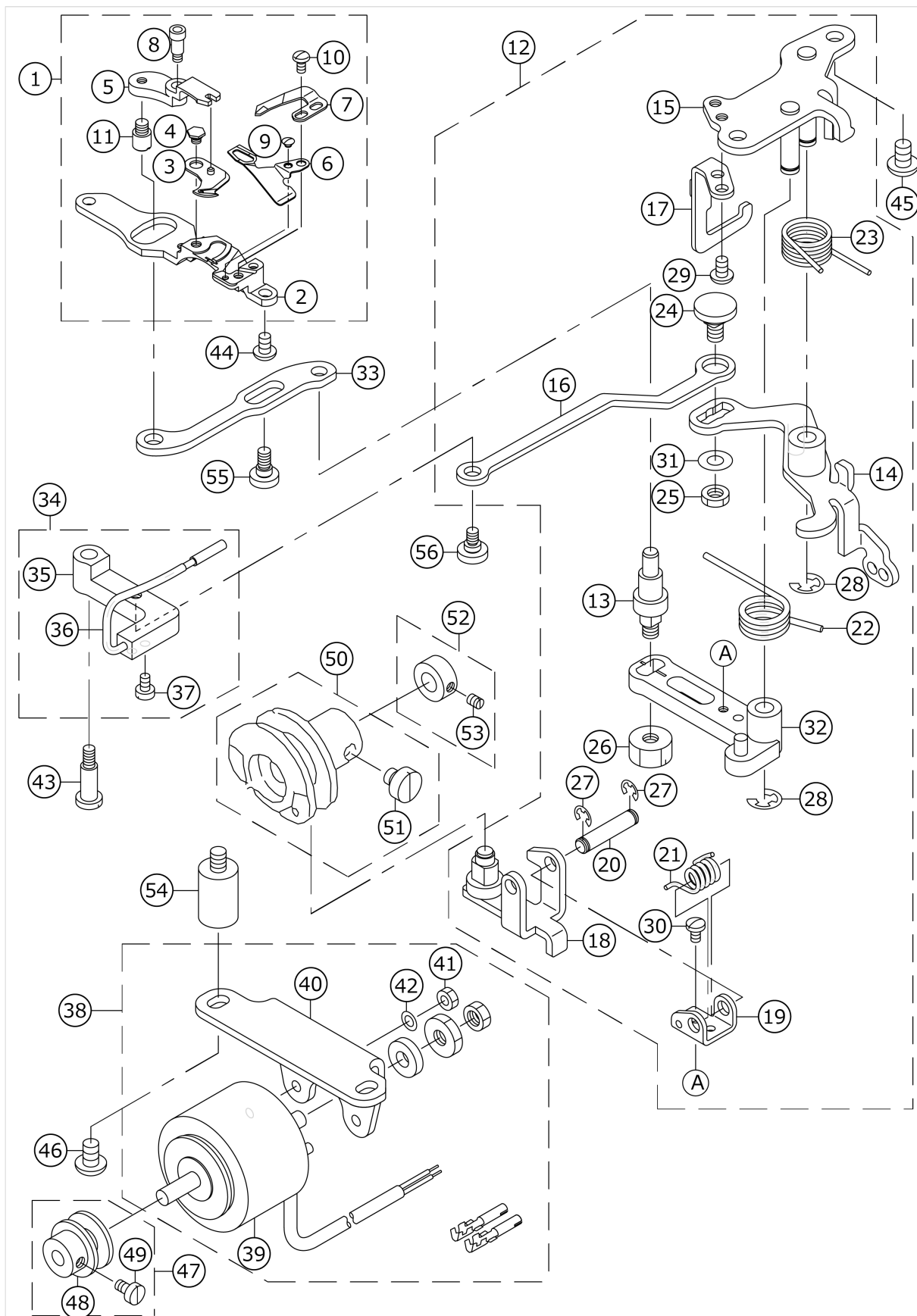
51	40009724	ADJUSTING LINK SPRING				1.00
52	10548501	THREAD TAKE-UP CRANK SPACER				2.00
53	WP0951016SP	WASHER 9.53X15X1				1.00
54	40009789	ADJUSTING LINK SPRING HOOK				1.00
55	40011724	FEED CHANGING SHAFT ARM A ASM.				1.00
56	SS6661110SP	SCREW 1/4-40 L=11		*		1.00
57	40009729	FEED CHANGING SHAFT ARM A		*		1.00
58	SS6661110SP	SCREW 1/4-40 L=11		*		1.00
59	40061560	FEED_CHANGING_BALANCER_ARM_ASM.				1.00
60	SM6061802TP	SCREW M6 L=18		*		1.00
61	40061545	FEED_CHANGING_BALANCER_ARM		*		1.00

No.	品番	品名	備考	子部品	消耗品	個数
1	23616055	FEED ROCKER CAM ASM.				1.00
2	23616006	FEED ROCKER CAM		*		1.00
3	SS8151150TP	SCREW 15/64-28 L=10.5		*		2.00
4	23616105	FEED ROCKER ROD				1.00
5	23616204	FEED ROCKER CAM PLATE				1.00
6	23616303	CONNECTING LINK,A				2.00
7	23616402	CONNECTING LINK,B				2.00
8	23616550	FEED ROCKER ARM ASM.				1.00
9	23616501	FEED ROCKER ARM		*		1.00
10	SS6121610SP	SCREW 3/16-28 L=15.5		*		1.00
11	40000247	FEED ROCKER SHAFT				1.00
12	23616709	FEED ROCKER SHAFT METAL				1.00
13	23616857	FEED ROCKER BASE ARM ASM.				1.00
14	23616808	FEED ROCKER BASE ARM		*		1.00
15	SS7121410TP	SCREW 3/16-28 L=14		*		1.00
16	WP0480856SP	WASHER 4.8X8.4X0.8		*		1.00
17	23616907	FEED ROCKER BASE SHAFT				1.00
18	40000249	FEED BASE COMPL.	OPTIONAL PARTS			1.00
19	22911002	WALKING FOOT PIN B				1.00
20	22911101	WALKING FOOT PIN C				1.00
21	40029963	OIL SEAL				2.00
22	22904155	MAIN SHAFT THRUST COLLAR ASM.				1.00
23	22904106	MAIN SHAFT THRUST COLLAR		*		1.00
24	SS8660610TP	SCREW 1/4-40 L=6		*		2.00
25	D1609415B00	FEED DOG				1.00
26	SS8661012TP	SCREW				2.00
27	SS8661012TP	SCREW				2.00
28	B412352200A	NEEDLE ROLLAR A	SELECTIVE PARTS			1.00
29	B412352200B	NEEDLE ROLLAR B	SELECTIVE PARTS			1.00
30	B412352200C	NEEDLE ROLLAR C	SELECTIVE PARTS			1.00
31	RC0150001KP	RETAINING RING 13.8				1.00
32	SS4080620TP	SCREW 1/8-44 L=6				2.00
33	SS6090620TP	SCREW				1.00
34	SS6090620TP	SCREW				1.00
35	SS6090670TP	SCREW 9/64-40 L=6				2.00
36	SS7110740TP	SCREW 11/64-40 L=7				1.00
37	40000257	FEED DRIVING CAM ASM. 2	OPTIONAL PARTS			1.00
38	40000258	FEED DRIVING CAM 2		*		1.00
39	SS8151150TP	SCREW 15/64-28 L=10.5		*		2.00
40	23618101	FEED DRIVING CAM THRUST BUSH				2.00
41	23618200	FEED DRIVING BASE ARM				1.00
42	23618309	FEED DRIVING CAM PLATE				1.00
43	23618408	FEED DRIVING BASE SHAFT				1.00
44	40011711	FEED DRIVING SHAFT				1.00
45	23618606	BEARING SUPPORT				1.00
46	23618705	OIL SEAL				1.00
47	23618804	OIL SEAL				1.00

48	SB32000060A	BEARING	SELECTIVE PARTS			1.00
49	SB32000060B	BEARING	SELECTIVE PARTS			1.00
50	SB32000060C	BEARING	SELECTIVE PARTS			1.00
51	SB117000400	BEARING				1.00
52	SB120001000	BEARING				1.00
53	SS8661012TP	SCREW				2.00
54	SS6090670TP	SCREW 9/64-40 L=6				2.00
55	SS6110710TP	SCREW 11/64-40 L=6.5				1.00
56	23620008	HOOK SHAFT				1.00
57	23620156	HOOK SHAFT METAL COMPL.				1.00
58	40145927	OIL SEAL				2.00
59	23620354	BEARING SUPPORT ASM.				1.00
60	SS6110650TP	SCREW 11/64-40 L=5.5		*		2.00
61	23620503	GEAR,LARGE				1.00
62	23620701	GEAR,SMALL(A)	SELECTIVE PARTS			1.00
63	23620800	GEAR,SMALL(B)	SELECTIVE PARTS			1.00
64	23620909	GEAR,SMALL(C)	SELECTIVE PARTS			1.00
65	23621006	GEAR,SMALL(D)	SELECTIVE PARTS			1.00
66	40000264	BOBBIN CASE ASM.				1.00
67	40000265	INNER HOOK PRESSER				1.00
68	11141355	HOOK ASM.	FOR DLN-9010SS(JE,JA)			1.00
69	11038650	HOOK ASM.	FOR DLN-9010SS (GENERAL EXPORT)			1.00
70	22890008	HOOK DRIVING SHAFT OIL SEAL				1.00
71	22932909	BOBBIN				1.00
72	40000248	HORIZONTAL FEED SHAFT METAL				1.00
73	23620404	HOOK SHAFT REAR METAL				1.00
74	SS6111010TP	SCREW 11/64-40 L=9.5				1.00
75	23617053	FEED BASE COMPL.				1.00
76	23619158	FEED DRIVING CAM ASM. F	OPTIONAL PARTS			1.00
77	23619109	FEED DRIVING CAM F		*		1.00
78	SS8151150TP	SCREW 15/64-28 L=10.5		*		2.00
79	23621303	HOOK ASM. K	OPTIONAL PARTS			1.00
80	22916555	OIL SEAL SCREW ASM.				1.00
81	22916506	SET SCREW		*		1.00
82	11015906	OIL WICK		*		1.00
83	23618051	FEED DRIVING CAM ASM.				1.00
84	23618002	FEED DRIVING CAM		*		1.00
85	SS8151150TP	SCREW 15/64-28 L=10.5		*		2.00
86	40031608	SPROCKET ASM.				1.00
87	40031607	SPROCKET SUPPORT ASM.		*		1.00
88	40031606	SPROCKET SUPPORT		*		1.00

89	SS8150822TP	SCREW 15/64-28 L=8		*		2.00
90	40031605	SPROCKET		*		1.00
91	SS7112420SP	SCREW 11/64-40 L=24		*		3.00

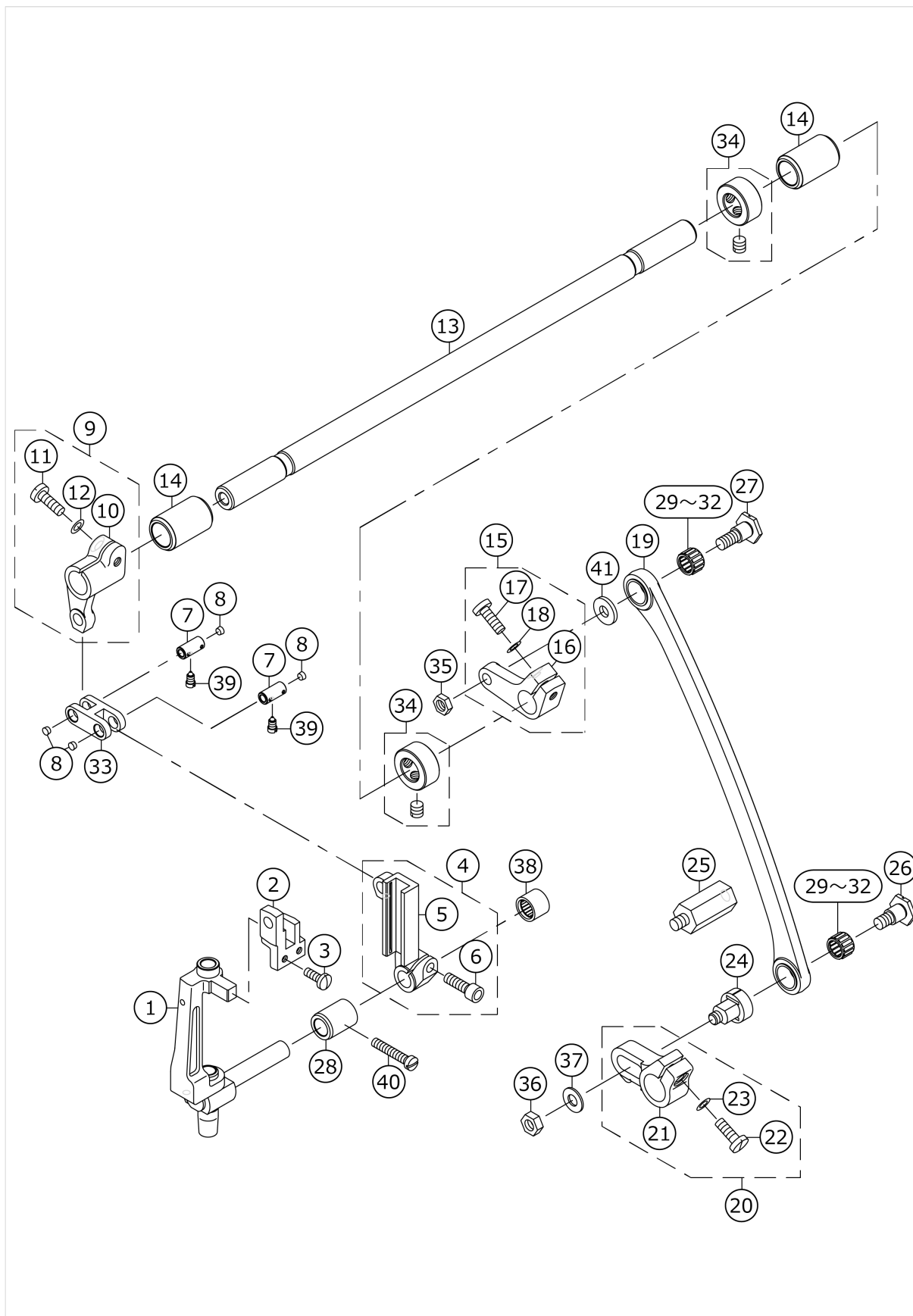
THREAD TRIMMER COMPONENTS



No.	品番	品名	備考	子部品	消耗品	個数
1	40000322	KNIFE UNIT				1.00
2	23623002	KNIFE INSTALLING BASE		*		1.00
3	11313053	MOVING KNIFE ASM.		*		1.00
4	SD0500095TH	HINGE SCREW D=5 H=0.85		*		1.00
5	11232105	FORKED BASE FOR KNIFE		*		1.00
6	40000323	THREAD GUIDE FOR KNIFE		*		1.00
7	40000324	COUNTER KNIFE		*		1.00
8	SD0460703TP	HINGE SCREW D=4.6 H=7		*		1.00
9	SS2060210SP	SCREW 3/32-56 L=2.3		*		1.00
10	SS4080620TP	SCREW 1/8-44 L=6		*		2.00
11	23623903	PIN		*		1.00
12	23623168	THREAD TRIMMER DRIVING UNIT				1.00
13	23623200	MOVING KNIFE LINK PIN		*		1.00
14	23623358	CLUTCH PLATE ASM.		*		1.00
15	23623556	BASE PLATE ASM.		*		1.00
16	23623705	PICKER LINK		*		1.00
17	23623804	DRIVING ARM STOPPER		*		1.00
18	11040953	ROLLER ARM ASM.		*		1.00
19	22949002	ROLLER ARM SEAT		*		1.00
20	22949101	ROLLER FULCRUM SHAFT		*		1.00
21	22949200	ROLLER RETURN SPRING		*		1.00
22	22949309	KNIFE RETURN SPRING B		*		1.00
23	22949408	CLUTCH SPRING		*		1.00
24	22950000	PICKER LINK PIN		*		1.00
25	NS6150310SP	NUT 15/64-28		*		1.00
26	NS6150810SP	NUT 15/64-28		*		1.00
27	RE0400000K0	E-RING 4		*		2.00
28	RE0600000K0	E-RING 6		*		2.00
29	SS4110715SP	SCREW 11/64-40 L=7		*		2.00
30	SS7090610SP	SCREW 9/64-40 L=6		*		1.00
31	WP0621016SH	WASHER		*		1.00
32	23623150	KNIFE DRIVING ARM ASM.		*		1.00
33	23624000	MOVING KNIFE LINK				1.00
34	23624158	PICKER ARM ASM.				1.00
35	23624109	PICKER ARM		*		1.00
36	23624257	THREAD TAKE-UP PICKER ASM.		*		1.00
37	SS6090620TP	SCREW		*		2.00
38	40118553	THREAD_TRIMMER_SOLENOID_ASM.				1.00
39	40118554	THREAD_TRIMMER_SOLENOID		*		1.00
40	23624406	SOLENOID BASE		*		1.00
41	NM6040000SN	NUT M4		*		2.00
42	WP0430800SC	WASHER M4		*		2.00
43	SD0641452TP	HINGE SCREW D=6.35 H=14.5				1.00
44	SS4110715SP	SCREW 11/64-40 L=7				2.00
45	SS4150915SP	SCREW 15/64-28 L=9				2.00
46	SS4150915SP	SCREW 15/64-28 L=9				2.00
47	23624554	DRIVING BLOCK ASM.				1.00
48	23624505	DRIVING BLOCK		*		1.00
49	SS6110710TP	SCREW 11/64-40 L=6.5		*		1.00
50	22950851	THREAD TRIMMER CAM ASM.				1.00

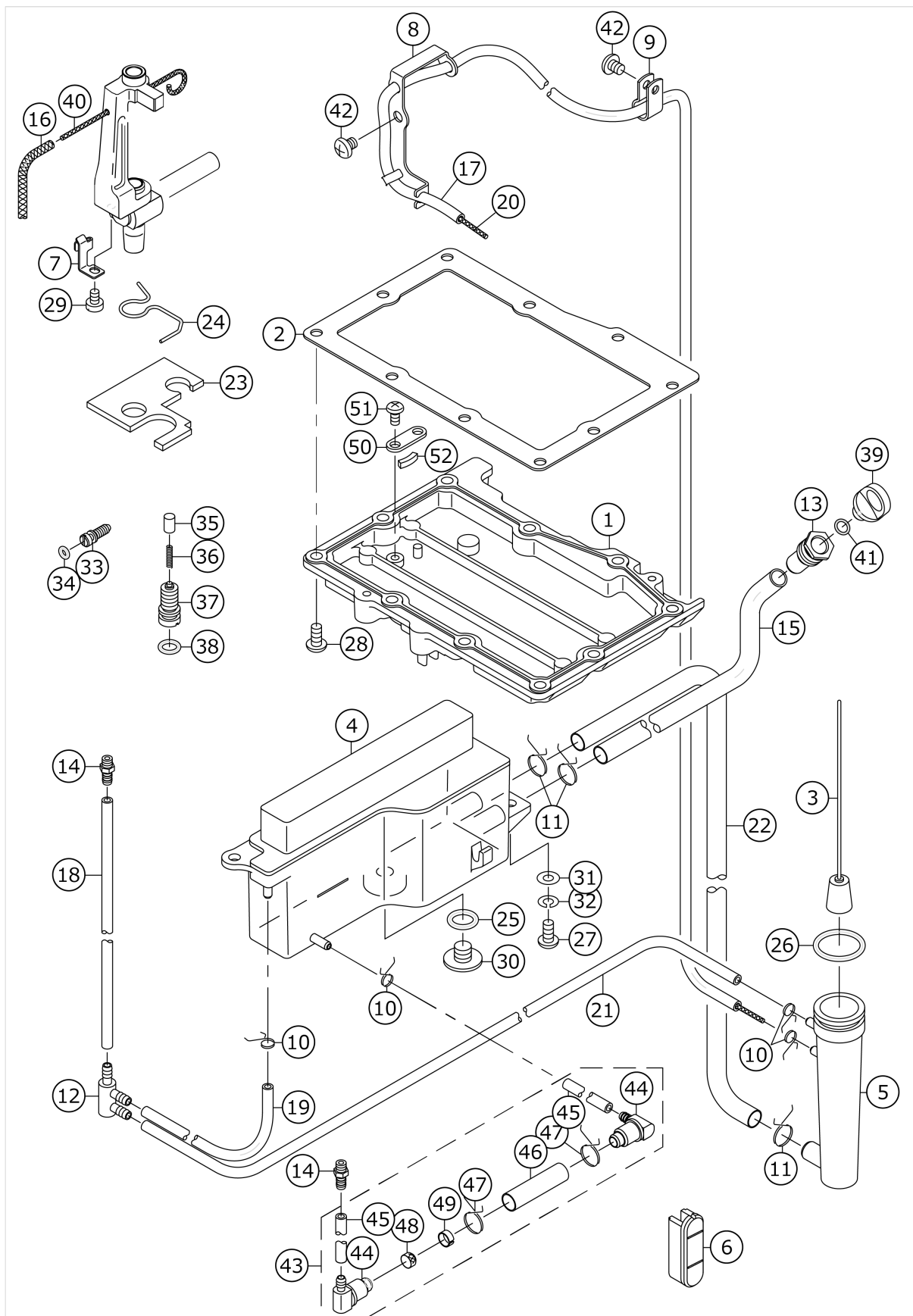
51	SS6660610TP	SCREW 1/4-40 L=6		*		2.00
52	22950950	CAM COLLAR ASM.				1.00
53	SS8110520TP	SCREW 11/64-40 L=4.5		*		1.00
54	40023290	SOLENOID BASE STUD				2.00
55	SD0600321SP	HINGE SCREW D=6 H=3.2				1.00
56	SD0630275SP	HINGE SCREW D=6.35 H=2.7				1.00

NEEDLE BAR FRAME COMPONENTS



No.	品番	品名	備考	子部品	消耗品	個数
1	40000281	ROCKING BASE COMPL.				1.00
2	40000289	ROCKING BASE GUIDE				1.00
3	SS7091110TP	SCREW 9/64-40 L=10.5				2.00
4	40000291	SLIDE BLOCK GUIDE ASM.				1.00
5	40000292	SLIDE BLOCK GUIDE		*		1.00
6	SM6051602TP	SCREW M5X0.8 L=16		*		1.00
7	40000293	LINK PIN				2.00
8	TA0340201R0	PLUG D=3.4X3.9 L=2				4.00
9	40000295	DRIVING CRANK ASM. ,FRONT				1.00
10	40000296	DRIVING CRANK ,FRONT		*		1.00
11	SS7121410TP	SCREW 3/16-28 L=14		*		1.00
12	WP0480856SP	WASHER 4.8X8.4X0.8		*		1.00
13	40000298	NEEDLE FEED SHAFT				1.00
14	40000299	NEEDLE FEED SHAFT METAL				2.00
15	40000301	DRIVING CRANK ASM. ,REAR				1.00
16	40000302	DRIVING CRANK ,REAR		*		1.00
17	SS7121410TP	SCREW 3/16-28 L=14		*		1.00
18	WP0480856SP	WASHER 4.8X8.4X0.8		*		1.00
19	40000304	NEEDLE FEED ROD CPMP.L.				1.00
20	40000307	NEEDLE FEED ARM ASM.				1.00
21	40000308	NEEDLE FEED ARM		*		1.00
22	SS7121410TP	SCREW 3/16-28 L=14		*		1.00
23	WP0480856SP	WASHER 4.8X8.4X0.8		*		1.00
24	40000309	NEEDLE FEED ADJUSTING BLOCK				1.00
25	40000311	NEEDLE FEED ROD STRUT				1.00
26	SD0800801TP	STEP-SCREW D=8 H=8				1.00
27	SD0800802TP	STEP-SCREW D=8 H=8				1.00
28	11214509	BUSHING				1.00
29	B1905541A00	NEEDLE BEARING	SELECTIVE PARTS			2.00
30	B1905541B00	NEEDLE BEARING	SELECTIVE PARTS			2.00
31	B1905541C00	NEEDLE BEARING	SELECTIVE PARTS			2.00
32	B1905541D00	NEEDLE BEARING	SELECTIVE PARTS			2.00
33	B2906415000	DRIVING LINK				1.00
34	CS120101BSH	THRUST COLLAR ASM.				2.00
35	NS6150310SP	NUT 15/64-28				1.00
36	NS6150430SP	NUT 15/64-28				1.00
37	WP0621016SD	WASHER 6.2X13X1				1.00
38	SB309000400	BEARING				1.00
39	SS6090660TP	SCREW 9/64-40 L=6				2.00
40	SS7112420SP	SCREW 11/64-40 L=24				1.00
41	WP0602016SP	WASHER				1.00

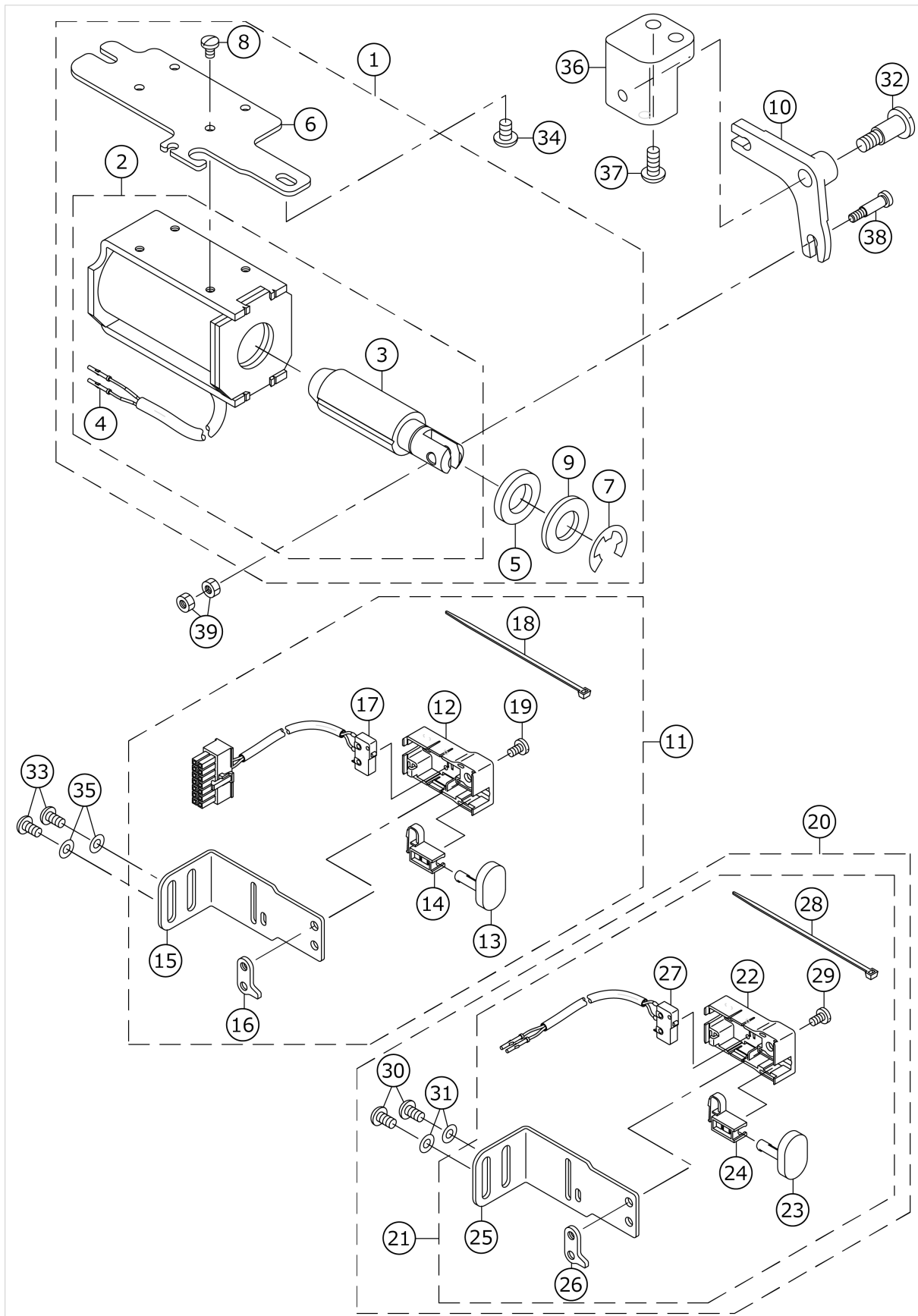
OIL LUBRICATION COMPONENTS



No.	品番	品名	備考	子部品	消耗品	個数
1	40011344	GEAR BOX COVER				1.00
2	23628100	GEAR BOX PACKING				1.00
3	23628357	FLOATER ASM.				1.00
4	23628555	OIL TANK ASM.				1.00
5	23628704	FLOATER CASE				1.00
6	23629108	OIL SIGHT WINDOW				1.00
7	40000339	OIL WICK SUPPORT				1.00
8	40000340	PIPE SUPPORT A				1.00
9	HX00150000C	CABLE CLAMP				1.00
10	23629306	PIPE STOPPER A				4.00
11	23629405	PIPE STOPPER B				3.00
12	23629504	DISTRIBUTOR A				1.00
13	40000343	LUBRICATING INLET				1.00
14	23629801	LUBRICATION CONNECTOR				2.00
15	23630106	TUBE B				0.34
16	23629702	OIL WICK				0.10
17	23630007	TUBE				0.72
18	23630007	TUBE				0.04
19	23630007	TUBE				0.07
20	CQ200000001	OIL WICK				0.80
21	23630007	TUBE				0.38
22	23630106	TUBE B				0.23
23	40000342	FELT				1.00
24	11307006	OIL FELT PRESSER				1.00
25	RO098240100	RUBBER RING				1.00
26	RO195240100	RUBBER RING				1.00
27	SS4121015SP	SCREW 3/16-28 L=10				2.00
28	SS4121015SP	SCREW 3/16-28 L=10				10.00
29	SS6090620TP	SCREW				1.00
30	23630205	SCREW				1.00
31	WP0501016SD	WASHER 5X10.5X1				2.00
32	WS0510002KP	SPRING WASHER 5.1X9.2X1.3				2.00
33	23628209	OIL ADJUSTING SCREW				1.00
34	RO029180100	RUBBER RING				1.00
35	23628803	PLUNGER				1.00
36	23628902	PLUNGER SPRING				1.00
37	23629009	PLUNGER SCREW				1.00
38	RO068190100	RUBBER RING				1.00
39	40000344	LUBRICATING INLET CAP				1.00
40	CQ200000001	OIL WICK				0.25
41	RO048190100	RUBBER RING				1.00
42	SS4120615SP	SCREW 3/16-28 L=6				2.00
43	23630452	OIL FILTER ASM.				1.00
44	23630601	OIL FILTER JOINT		*		2.00
45	23630007	TUBE		*		0.09
46	23630106	TUBE B		*		0.04
47	23629405	PIPE STOPPER B		*		2.00
48	23630403	OIL FILTER		*		1.00
49	23630502	OIL FILTER STOPPER		*		1.00
50	40024644	MAGNET WASHER				1.00

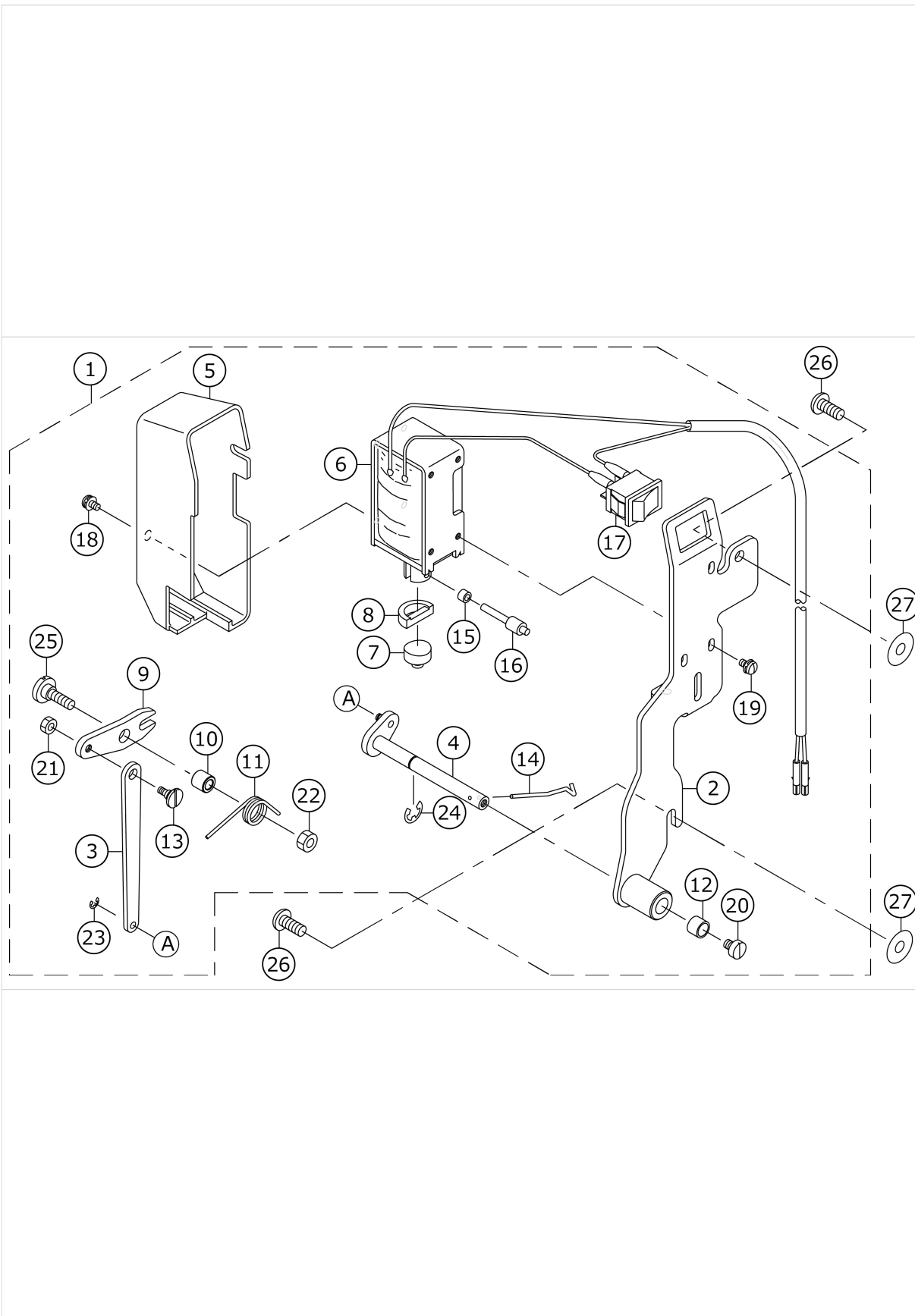
51	ST4040821SS	TAPPING SCREW				1.00
52	11033008	MAGNET A				1.00

AUTOMATIC REVERSE FEED COMPONENTS



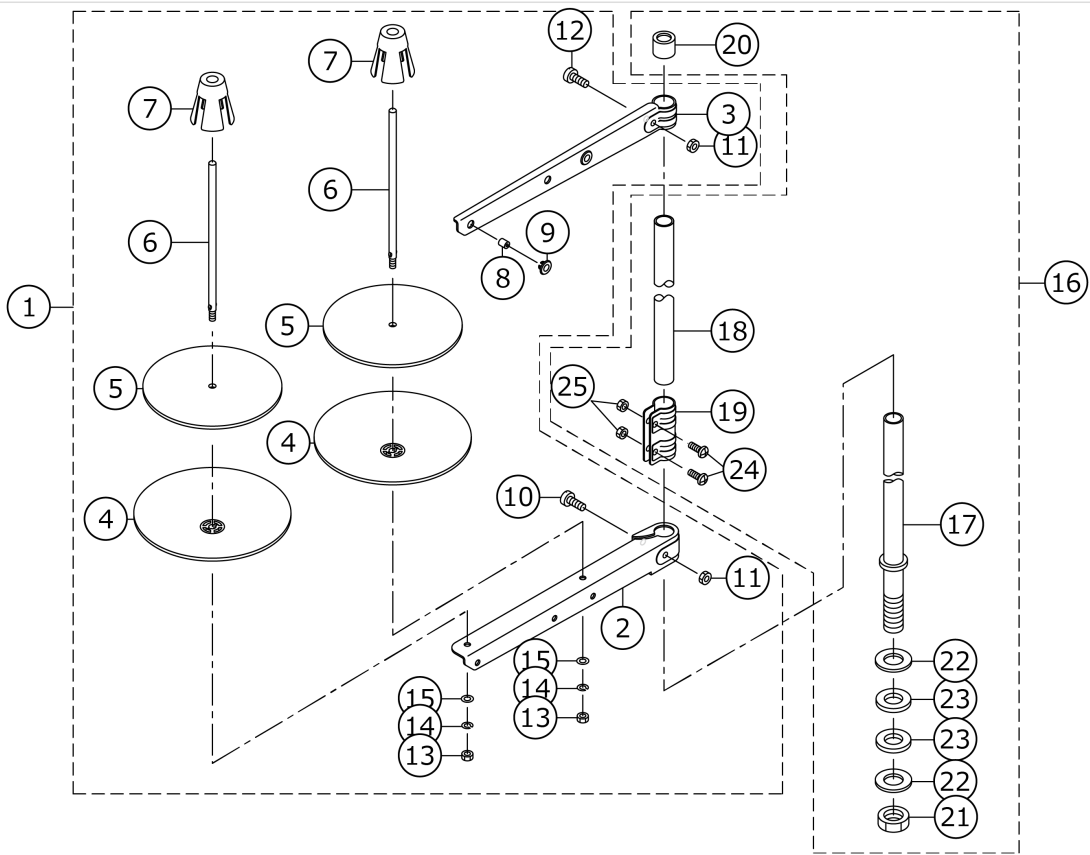
No.	品番	品名	備考	子部品	消耗品	個数
1	40109068	REVERSE FEED SOLENOID BASE ASM.				1.00
2	40109067	REVERSE FEED SOLENOID		*		1.00
3	40108064	REVERSE FEED SOLENOID PLUNGER		*		1.00
4	HK03464000B	PIN CONTACT		*		2.00
5	D2468555B00	RUBBER PLUNGER		*		1.00
6	23631203	REVERSE FEED SOLENOID BASE		*		1.00
7	RE1200000K0	E-RING 12		*		1.00
8	SS7110740TP	SCREW 11/64-40 L=7		*		4.00
9	WP1703001SC	WASHER 17X30X3		*		1.00
10	23631302	REVERSE FEED ARM				1.00
11	40000349	REVERSE FEED SWITCH ASM.				1.00
12	23631708	REVERSE FEED SWITCH COVER		*		1.00
13	23631807	REVERSE FEED SWITCH SHAFT		*		1.00
14	23631906	REVERSE FEED SWITCH SUPPORT		*		1.00
15	40000350	REVERSE FEED SWITCH BASE		*		1.00
16	23632102	REVERSE FEED SWITCH BASE GUIDE		*		1.00
17	23632359	REVERSE FEED CORD ASM.		*		1.00
18	EA9500B0100	CABLE BAND		*		1.00
19	SS7110740TP	SCREW 11/64-40 L=7		*		1.00
20	40000380	OPTIONAL SWITCH WHOLE ASM.	OPTIONAL PARTS			1.00
21	40000381	OPTIONAL SWITCH WHOLE ASM.		*		1.00
22	23631708	REVERSE FEED SWITCH COVER		*		1.00
23	23631807	REVERSE FEED SWITCH SHAFT		*		1.00
24	23631906	REVERSE FEED SWITCH SUPPORT		*		1.00
25	40000350	REVERSE FEED SWITCH BASE		*		1.00
26	23632102	REVERSE FEED SWITCH BASE GUIDE		*		1.00
27	23632250	REVERSE FEED CORD ASM.		*		1.00
28	EA9500B0100	CABLE BAND		*		1.00
29	SS7110740TP	SCREW 11/64-40 L=7		*		1.00
30	SS4120915SP	SCREW 3/16-28 L=9		*		2.00
31	WP0501016SD	WASHER 5X10.5X1		*		2.00
32	SD0951501SP	HINGE SCREW D=9.53 H=15				1.00
33	SS4120915SP	SCREW 3/16-28 L=9				2.00
34	SS4150915SP	SCREW 15/64-28 L=9				2.00
35	WP0501016SD	WASHER 5X10.5X1				2.00
36	40000351	REVERSE FEED BASE				1.00
37	SS4151415SP	SCREW 15/64-28 L=14				2.00
38	22962906	PLUNGER ARM PIN				1.00
39	NS6110350SP	NUT 11/64-40				2.00

WIPER COMPONENTS



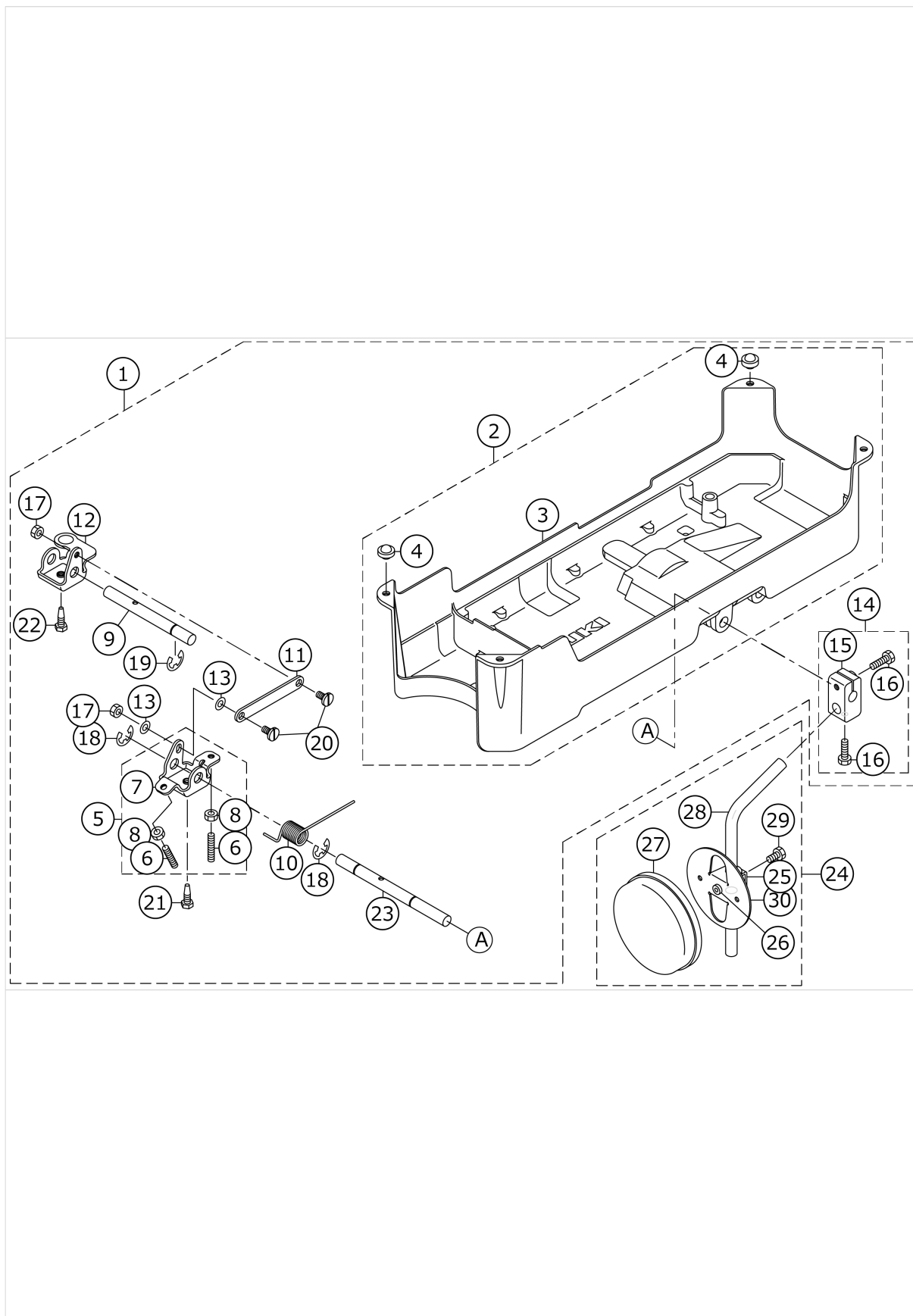
No.	品番	品名	備考	子部品	消耗品	個数
1	40000355	WIPER ASM.				1.00
2	40000356	WIPER BASE COMPL.		*		1.00
3	40000358	WIPER LINK B		*		1.00
4	40000359	WIPER SHAFT COMPL.		*		1.00
5	22955504	WIPER COVER		*		1.00
6	40106938	WIPER SOLENOID ASM.		*		1.00
7	22955900	WIPER RUBBER A		*		1.00
8	22956007	WIPER RUBBER B		*		1.00
9	22956106	WIPER LINK A		*		1.00
10	22956205	WIPER HINGE SCREW COLLAR		*		1.00
11	22956304	WIPER SPRING		*		1.00
12	22956809	WIPER COLLAR		*		1.00
13	22956908	WIPER LINK B HINGE SCREW		*		1.00
14	40000361	WIPER		*		1.00
15	22957203	WIPER LINK COLLAR		*		1.00
16	22957104	WIPER SOLENOID SHAFT		*		1.00
17	HA00600000A	SWITCH		*		1.00
18	SL4030631SC	SCREW M3X6		*		1.00
19	SL4030641SE	SCREW		*		3.00
20	SS6090540SP	SCREW 9/64-40 L=5.0		*		1.00
21	NS6090310SP	NUT 9/64-40		*		1.00
22	NS6110310SP	NUT 11/64-40		*		1.00
23	RE0250000K0	E-RING 2.5		*		1.00
24	RE0500000K0	E-RING 5		*		1.00
25	SD0650321TP	HINGE SCREW D=6.5 H=3.2		*		1.00
26	SS4121215SP	SCREW 3/16-28 L=12				2.00
27	WP0553216SD	WASHER				2.00

THREAD STAND COMPONENTS



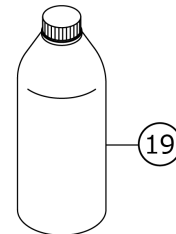
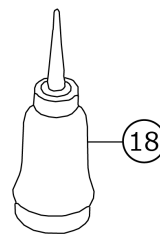
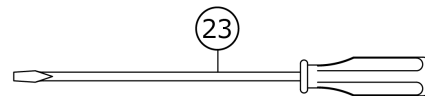
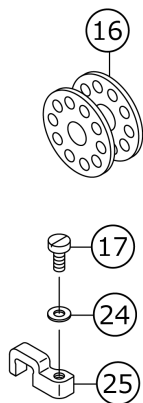
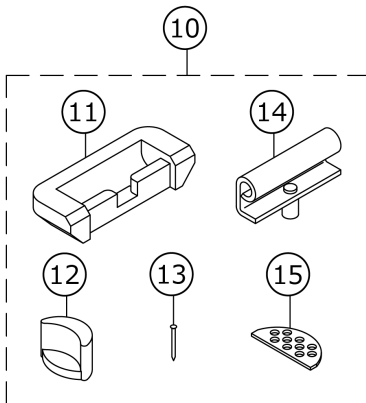
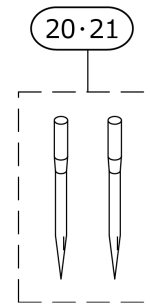
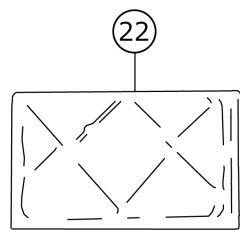
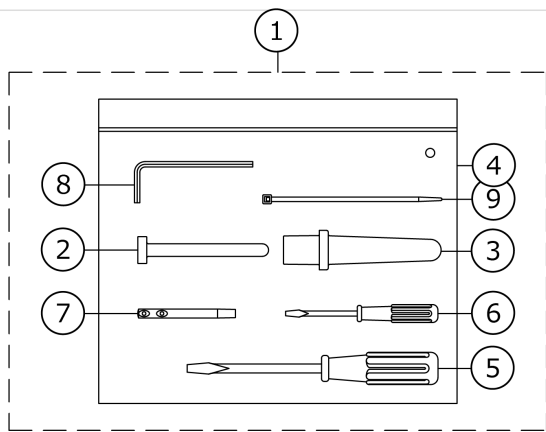
No.	品番	品名	備考	子部品	消耗品	個数
1	40108402	THRED_STAND_B				1.00
2	40085786	SPOOL REST ARM (LOWER)		*		1.00
3	40085787	SPOOL REST ARM (UPPER)		*		1.00
4	40085788	SPOOL REST		*		2.00
5	40085789	SPOOL REST CUSHION		*		2.00
6	40085790	SPOOL PIN		*		2.00
7	40085791	SPOOL RETAINER		*		2.00
8	40085794	THREAD GUIDE		*		2.00
9	40085795	THREAD GUIDE BUSHING		*		2.00
10	40096326	SPOOL REST ARM LOWER SCREW		*		1.00
11	NM6050001SE	NUT M5		*		2.00
12	40096327	SPOOL REST ARM UPPER SCREW		*		1.00
13	NM6050001SE	NUT M5		*		2.00
14	WS0510002KN	SPRING WASHER M5		*		2.00
15	WP0531001SC	WASHER M5		*		2.00
16	40108401	THREAD_STAND_A				1.00
17	40085784	SPOOL REST ROD LOWER		*		1.00
18	40085785	SPOOL REST ROD UPPER		*		1.00
19	40085792	SPOOL REST ROD JOINT		*		1.00
20	40085793	SPOOL REST ROD RUBBER CAP		*		1.00
21	40096325	SPOOL REST ROD NUT		*		1.00
22	WP1612616SE	WASHER 16X30X2.6		*		2.00
23	40085796	SPOOL REST ROD RUBBER CUSHION		*		2.00
24	SM4051405SE	SCREW M5 L=14		*		2.00
25	NM6050001SE	NUT M5		*		2.00

UNDER COVER COMPONENTS



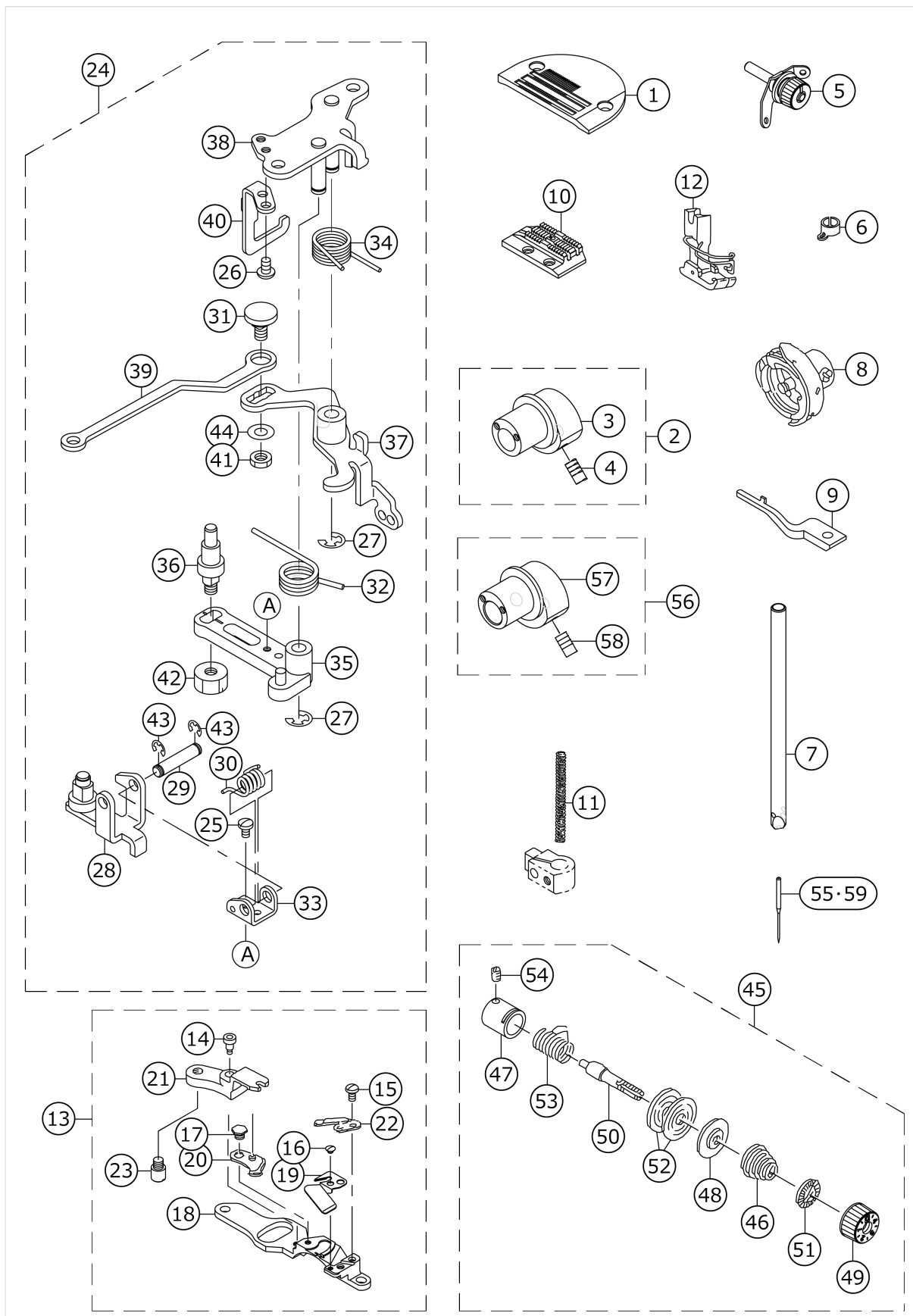
No.	品番	品名	備考	子部品	消耗品	個数
1	40062321	UNDER COVER A ASM.				1.00
2	40062323	UNDER COVER B ASM.	FOR GENERAL EX PORT,JE,JA(TYP E AK)	*		1.00
3	23639008	UNDER COVER		*		1.00
4	B1116210D00	FRAME SUPPORT RUBBER		*		4.00
5	23639156	BRACKET ASM.		*		1.00
6	SM8063012TR	SCREW M6 L=30		*		2.00
7	23639107	BRACKET		*		1.00
8	NM6060001SE	NUT M6		*		2.00
9	23639404	SHAFT		*		1.00
10	23639503	SPRING		*		1.00
11	23639602	CONNECTING ROD		*		1.00
12	23639206	CONNECTING ROT		*		1.00
13	WP0650876SD	WASHER 6.5X13X0.8		*		2.00
14	22932453	BRACKET ASM.		*		1.00
15	22932404	BRACKET		*		1.00
16	SM9062053SR	SCREW M6 L=20		*		2.00
17	NS6150310SP	NUT 15/64-28		*		2.00
18	RE1000000K0	E-RING 10		*		2.00
19	RE1000000K0	E-RING 10		*		1.00
20	SD0720331SP	HINGE SCREW D=7.24 H=3.3		*		2.00
21	SM9061853SR	SCREW M6 L=17.5		*		1.00
22	SM9061853SR	SCREW M6 L=17.5		*		1.00
23	23639305	KNEE PRESS ROD		*		1.00
24	22934251	KNEE PAD PLATE ASM.				1.00
25	22934301	KNEE PAD PLATE SUPPORT		*		1.00
26	22934400	KNEE PAD PLATE RUBBER		*		1.00
27	22934509	KNEE PAD PLATE COVER		*		1.00
28	22934608	KNEE PAD UPRIGHT SHAFT		*		1.00
29	SM9061203SE	SCREW M6 L=12		*		1.00
30	22934202	KNEE PAD PLATE		*		1.00

ACCESSORIE PARTS COMPONENTS



No.	品番	品名	備考	子部品	消耗品	個数
1	40037484	ACCESSORIE BAG ASM.				1.00
2	23639701	KNEE LIFTER PRESSER ROD		*		1.00
3	22931604	FRAME SUPPORT BAR		*		1.00
4	22932800	ACCESSORIE BAG		*		1.00
5	22933105	SCREW DRIVER,MIDDLE		*		1.00
6	22933204	SCREW DRIVER,SMALL		*		1.00
7	22958300	NEEDLE THREAD GUIDE PIN		*		1.00
8	40055591	HEXAGONAL WRENCH KYE		*		1.00
9	EA9500B0100	CABLE BAND		*		1.00
10	22958052	RUBBER HINGE ASM.				1.00
11	22926000	RUBBER CUSHION		*		2.00
12	22958003	FRAME BUBBER CUSHION		*		2.00
13	22926208	NAIL		*		8.00
14	22926356	HINGE COMPL.		*		2.00
15	22926505	WASHER		*		2.00
16	22932909	BOBBIN				1.00
17	SS6121220TP	SCREW 3/16-28 L=11.5				1.00
18	B91210120A0	OILER ASM.				1.00
19	MDFRX1600C0	DEFRIX OIL NO.1(600CC)				1.00
20	MDB100B1402	NEEDLE DBX1#14-2	FOR DLN-9010SS (GENERAL EXPOR T,JA)			1.00
21	MC200500902	NEEDLE 134 #90-2	FOR DLN-9010SS(JE)			1.00
22	40070090	HEAD COVER				1.00
23	22933006	SCREW DRIVER,LARGE				1.00
24	WP0501016SD	WASHER 5X10.5X1				1.00
25	40000290	ROCKING BASE SUPPORT				1.00

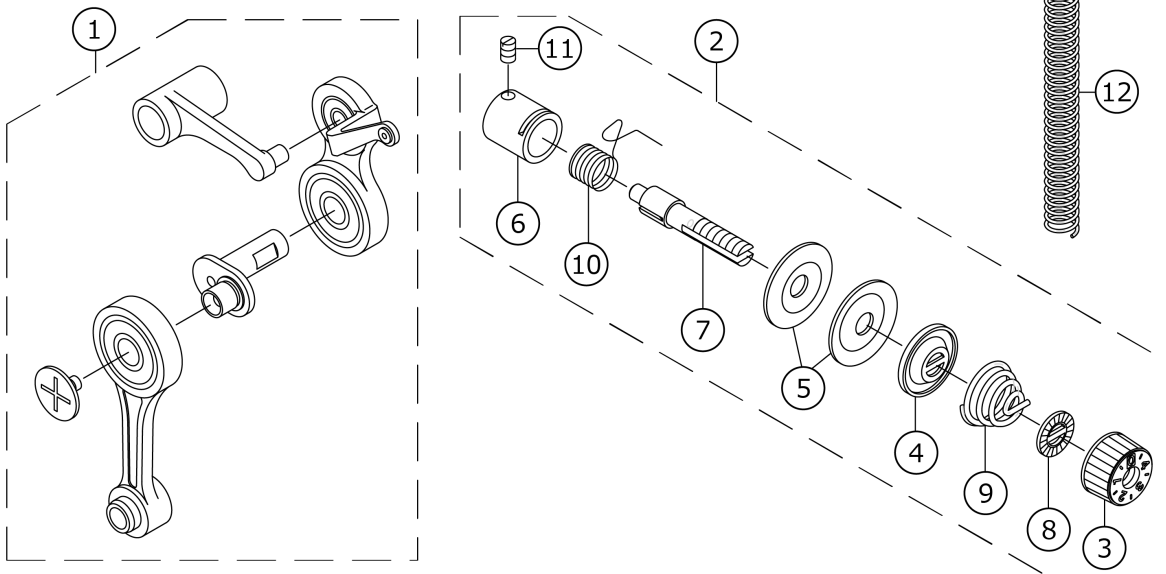
EXCLUSIVE PARTS FOR DLN-9010ASH-WB, -0B



No.	品番	品名	備考	子部品	消耗品	個数
1	B1109415H0B	THROAT PLATE (H)				1.00
2	40000391	VERTICAL FEED CAM ASM. 5	OPTIONAL PARTS			1.00
3	40000392	VERTICAL FEED CAM 5		*		1.00
4	SS8151150TP	SCREW 15/64-28 L=10.5		*		2.00
5	22963458	THREAD TENSION ASM.				1.00
6	40024124	NEEDLE BAR THREAD GUIDE				1.00
7	40000396	NEEDLE BAR H				1.00
8	11321452	LUBRICATING HOOK ASM.				1.00
9	23646003	POSITIONING FINGER H				1.00
10	11322203	FEED DOG, H				1.00
11	B1505552000A	PRESSER SPRING				1.00
12	B1524041EB0	PRESSER FOOT ASM.				1.00
13	23645252	KNIFE UNIT H				1.00
14	SD0460703TP	HINGE SCREW D=4.6 H=7		*		1.00
15	SS4080620TP	SCREW 1/8-44 L=6		*		2.00
16	SS2060210SP	SCREW 3/32-56 L=2.3		*		1.00
17	SD0500131TP	HINGE SCREW D=5 H=1.25		*		1.00
18	23645203	KNIFE INSTALLING BASE H		*		1.00
19	23645401	THREAD GUIDE FOR KNIFE H		*		1.00
20	11409257	MOVING KNIFE J ASM.		*		1.00
21	11095601	KNIFE BRANCH		*		1.00
22	11409604	FIX KNIFE		*		1.00
23	23623903	PIN		*		1.00
24	23623176	THREAD TRIMMER DRIVING UNIT H				1.00
25	SS7090610SP	SCREW 9/64-40 L=6		*		1.00
26	SS4110715SP	SCREW 11/64-40 L=7		*		2.00
27	RE0600000K0	E-RING 6		*		2.00
28	11040953	ROLLER ARM ASM.		*		1.00
29	22949101	ROLLER FULCRUM SHAFT		*		1.00
30	22949200	ROLLER RETURN SPRING		*		1.00
31	22950000	PICKER LINK PIN		*		1.00
32	22949309	KNIFE RETURN SPRING B		*		1.00
33	11094307	ROLLER ARM BRACKET		*		1.00
34	11094406	SPRING		*		1.00
35	23623150	KNIFE DRIVING ARM ASM.		*		1.00
36	23623200	MOVING KNIFE LINK PIN		*		1.00
37	23623358	CLUTCH PLATE ASM.		*		1.00
38	23623556	BASE PLATE ASM.		*		1.00
39	23623705	PICKER LINK		*		1.00
40	23623804	DRIVING ARM STOPPER		*		1.00
41	NS6150310SP	NUT 15/64-28		*		1.00
42	NS6150810SP	NUT 15/64-28		*		1.00
43	RE0400000K0	E-RING 4		*		2.00
44	WP0621016SH	WASHER		*		1.00
45	23626062	THREAD TENSION ASM. ,H				1.00
46	22962005	THREAD TENSION SPRING		*		1.00
47	22945307	THREAD TENSION POST BASE		*		1.00
48	22921803	DISK STOPPER		*		1.00
49	23626005	THREAD TENSION NUT		*		1.00
50	22921209	THREAD TENSION POST		*		1.00

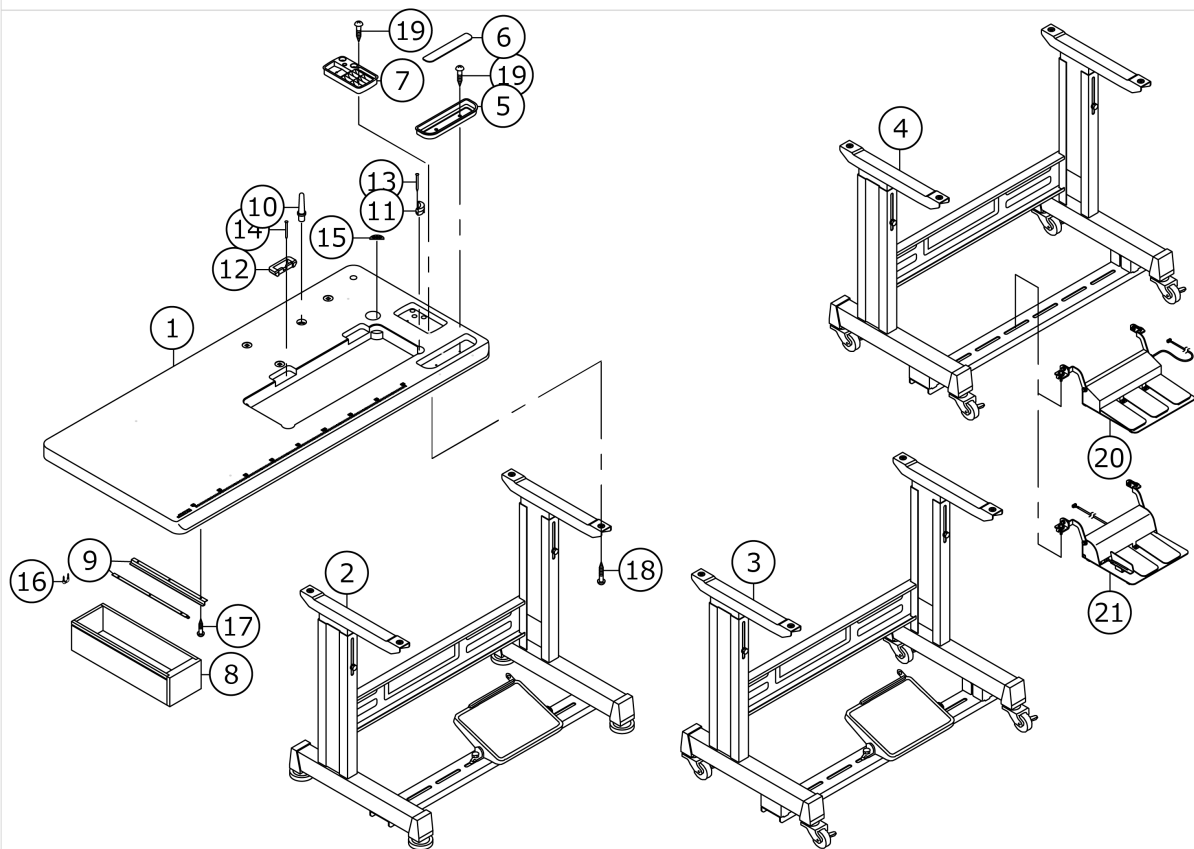
51	22921407	ROTATION STOPPER		*		1.00
52	22921506	THREAD TENSION DISK		*		2.00
53	22921605	THREAD TAKE-UP SPRING		*		1.00
54	SS8090670SP	SCREW 9/64-40 L=5.5		*		1.00
55	MC200501300	NEEDLE 134 NM130	FOR JE			1.00
56	23619059	VERTICAL FEED CAM H ASM.				1.00
57	23619000	VERTICAL FEED CAM H		*		1.00
58	SS8151150TP	SCREW 15/64-28 L=10.5		*		2.00
59	MDB100B2100	NEEDLE DBX1 #21	FOR GENERAL EXPORT,JA			1.00

EXCLUSIVE PARTS FOR DLN-9010ASB-WB, -0B



No.	品番	品名	備考	子部品	消耗品	個数
1	40037439	THREAD TAKE UP COMP.A				1.00
2	23626062	THREAD TENSION ASM. ,H				1.00
3	23626005	THREAD TENSION NUT		*		1.00
4	22921803	DISK STOPPER		*		1.00
5	22921506	THREAD TENSION DISK		*		2.00
6	22945307	THREAD TENSION POST BASE		*		1.00
7	22921209	THREAD TENSION POST		*		1.00
8	22921407	ROTATION STOPPER		*		1.00
9	22962005	THREAD TENSION SPRING		*		1.00
10	22921605	THREAD TAKE-UP SPRING		*		1.00
11	SS8090670SP	SCREW 9/64-40 L=5.5		*		1.00
12	B1505227T00A	PRESSER SPRING T				1.00

TABLE & STAND COMPONENTS



No.	品番	品名	備考	子部品	消耗品	個数
1	23642200	TABLE				1.00
2	11157567	T LEG JUNCTION	FOR JT-D950			1.00
3	11159365	T STAND JUNCTION	FOR JT-D952			1.00
4	11159357	T-STAND ASM.	FOR JT-D95J,-D95K			1.00
5	11156007	CASE				1.00
6	11155801	CASE MAGNET				1.00
7	11155751	CASE ASM. B				1.00
8	11155108	DRAWER				1.00
9	11155207	DRAWER SUPPORT				2.00
10	11073103	RUBBER CUSHION	EXCEPT TYPE AK			1.00
11	11075900	RUBBER SPACER				2.00
12	11075801	RUBBER SPACER				2.00
13	B8210012000	CUSHION SET NAIL				4.00
14	B8210012000	CUSHION SET NAIL				4.00
15	D8226555E00	FRAME RUBBER CUSHION A				2.00
16	D8204555D00	DRAWER STOPPER				1.00
17	SK3311600SE	WOOD SCREW D=3.1 L=16				6.00
18	SK3513200SC	WOOD SCREW D=5.1 L=32				4.00
19	SK3382001SC	WOOD SCREW D=3.8 L=20				4.00
20	GPK700010A0	3-JOINT PEDAL, 70	FOR JT-D95J,-D95K			1.00
21	GPK710010A0	2-PEDAL ASM., 71	FOR JT-D95J,-D95K			1.00

HOW TO MAKE USE OF THIS PARTS LIST

1.Explanation of codes

1)"*"mark.....means this part is changed from the previous parts book.

As to the details of the change, refer to the "List for information of change".

2)"#01".....refer to "Note" explanation at bottom of page.

2.Codes on the "Qty" column

· Each numeral indicates the number of parts required.

· "0.1" and "2.5" indicate the length (in meters) of the respective parts.

3.Parentheses mean that the corresponding part is a subpart that constructs an assembly part.

4.Dotted lines on the Figures indicate assembly parts.

5.As to the parts with marks of "☆"(consumable parts) and "◎"(optional parts)on the respective parts, it is recommended to prepare spares.

1 ."注記"欄の記号説明

1) "*"印.....前回のパーツブックに比較して今回変更された部品を意味します。

変更内容は、"変更情報リスト"を参照してください。

2) "#01".....ページ下の"注記"の説明を参照してください。

2.数量欄の数字は、個数を表し、0.1、2.5等の数値は、長さ（単位メートル）を表します。

3.数量欄の（ ）は、組部品を構成している子部品であることを意味します。

4.イラストページの-----枠は、組構成であることを意味します。

5.リストページの"☆"（消耗部品）、"◎"（オプション部品）の印がついた部品は、予備を準備しておくことをお奨めします。