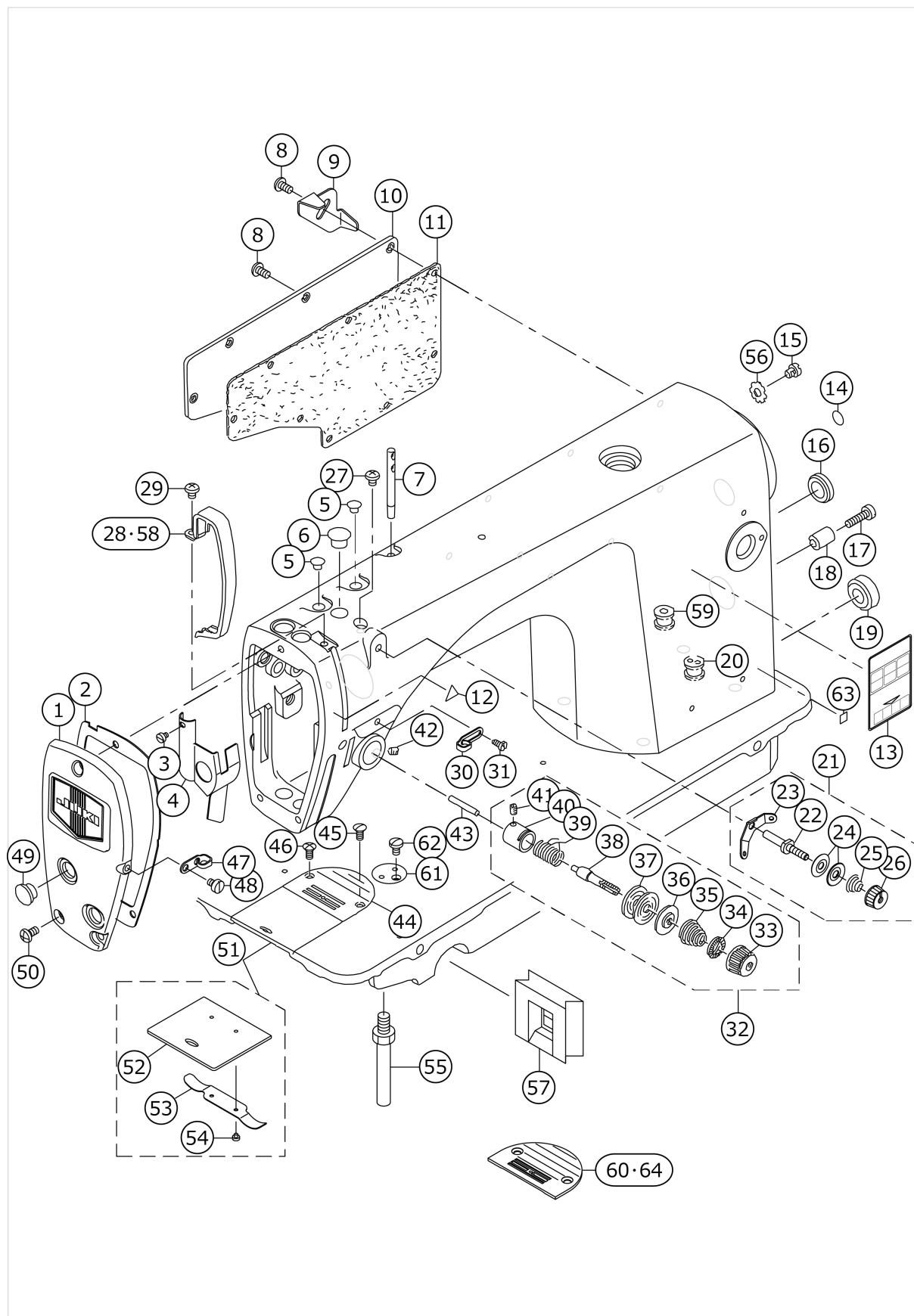


DDL-8700-7

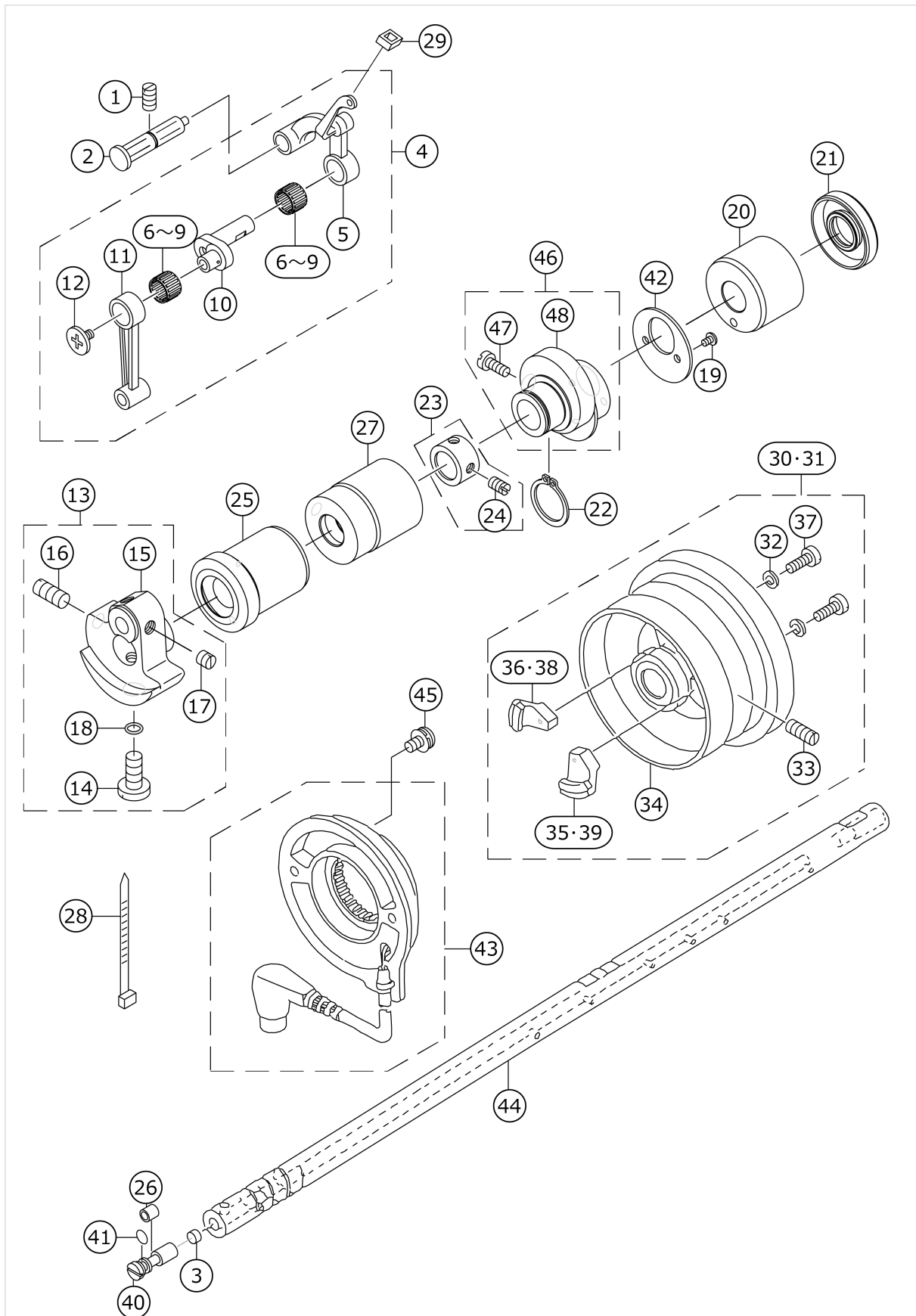
MACHINE FRAME & MISCELLANEOUS COVER COMPONENTS



No.	品番	品名	備考	子部品	消耗品	個数
1	40102097	FACE_PLATE_ASM.				1.00
2	40012126	FACE PLATE PACKING				1.00
3	SS6080410SP	SCREW 1/8-44 L=4				1.00
4	22900757	ARM OIL SHIFLD ASM.				1.00
5	TA0850604R0	RUBBER PLUG				2.00
6	TA1250705R0	RUBBER PLUG				1.00
7	22958300	THREAD GUIDE ROD				1.00
8	SS4120925SP	SCREW 3/16-28 L=9				8.00
9	22954705	CORD HOLDER	EXCEPT DDL-8700-7-00			1.00
10	22900401	SIDE PLATE				1.00
11	40012129	SIDE PLATE PACKING				1.00
12	CM300200001	ATTENTION SEAL				1.00
13	CM301200001	SAFETY LABEL_S				1.00
14	22901805	GROUND MARK				1.00
15	SS4120615SP	SCREW 3/16-28 L=6				1.00
16	TA2000502R0	RUBBER PLUG				1.00
17	SS6121840SP	SCREW 3/16-28 L=18	FOR DDL-8700-7-0B,-WB			1.00
18	22952501	REVERSE FEED LEVER STOPPER	FOR DDL-8700-7-0B,-WB			1.00
19	TA2101002R0	RUBBER PLUG				1.00
20	40111022	MAGNET CORD RUBBER	FOR DDL-8700-7-0B,-WB			1.00
21	22945463	THREAD TENSION ASM.				1.00
22	22945414	THREAD TENSION POST		*		1.00
23	22945604	THREAD TENSION GUIDE		*		1.00
24	22945802	BOBBIN WINDER TENSION DISC		*		2.00
25	22945505	THREAD TENSION SPRING		*		1.00
26	22945703	THREAD TENSION NUT		*		1.00
27	SS4120615SP	SCREW 3/16-28 L=6				1.00
28	22900609	THREAD TAKE-UP LEVER COVER				1.00
29	SS4120615SP	SCREW 3/16-28 L=6				1.00
30	22920508	ARM THREAD GUIDE A				1.00
31	22921001	SCREW				1.00
32	22945356	THREAD TENSION ASM.				1.00
33	22921308	TENSION NUT		*		1.00
34	22921407	ROTATING STOPPER		*		1.00
35	22921704	TENSION SPRING A		*		1.00
36	22921803	THREAD TENSION DISK PRESSER		*		1.00
37	22921506	THREAD TENSION DISK		*		2.00
38	22921209	TENSION POST		*		1.00
39	22921605	THREAD TAKE-UP SPRING		*		1.00
40	22945307	TENSION POST SOCKET		*		1.00
41	SS8090670SP	SCREW 9/64-40 L=5.5		*		1.00
42	SS8150710TP	SCREW 15/64-28 L=7				1.00
43	B3118552E00	TENSION RELEASING				1.00
44	B1109012IOB	THROAT PLATE (I)	FOR JE			1.00
45	SS2110920TP	SCREW 11/64-40 L=8.5				1.00
46	SS2110915SP	SCREW 11/64-40 L=8.5				1.00

47	22920607	ARM THREAD GUIDE B				1.00
48	SS6110610TP	SCREW 11/64-40 L=6				1.00
49	TA1250406R0	RUBBER PLUG D=12.5 L=4				2.00
50	SS4120925SP	SCREW 3/16-28 L=9				3.00
51	22901250	SLIDE PLATE ASM.				1.00
52	22901201	SLIDE PLATE		*		1.00
53	22901300	BED SLIDE SPRING		*		1.00
54	SS6060210SP	SCREW 3/32-56 L=1.9		*		2.00
55	22901003	BED SCREW STUD				4.00
56	WT0530002KS	TOOTHED WASHER D=5.3				1.00
57	22935407	RUBBER PLATE				1.00
58	11415205	THREAD TAKE-UP LEVER COVER(JE)	FOR JE			1.00
59	11030202	RUBBER BUSHING	FOR DDL-8700-7-00			1.00
60	B1109552000	THROAT PLATE	EXCEPT USE IN JAPAN,JE			1.00
61	40099083	RULER STOP SEAT				1.00
62	SS7110720SP	SCREW 11/64-40 L=7				1.00
63	40116677	GOST_SAFTY_LABEL_S	FOR JE			1.00
64	11028008	THROAT PLATE				1.00

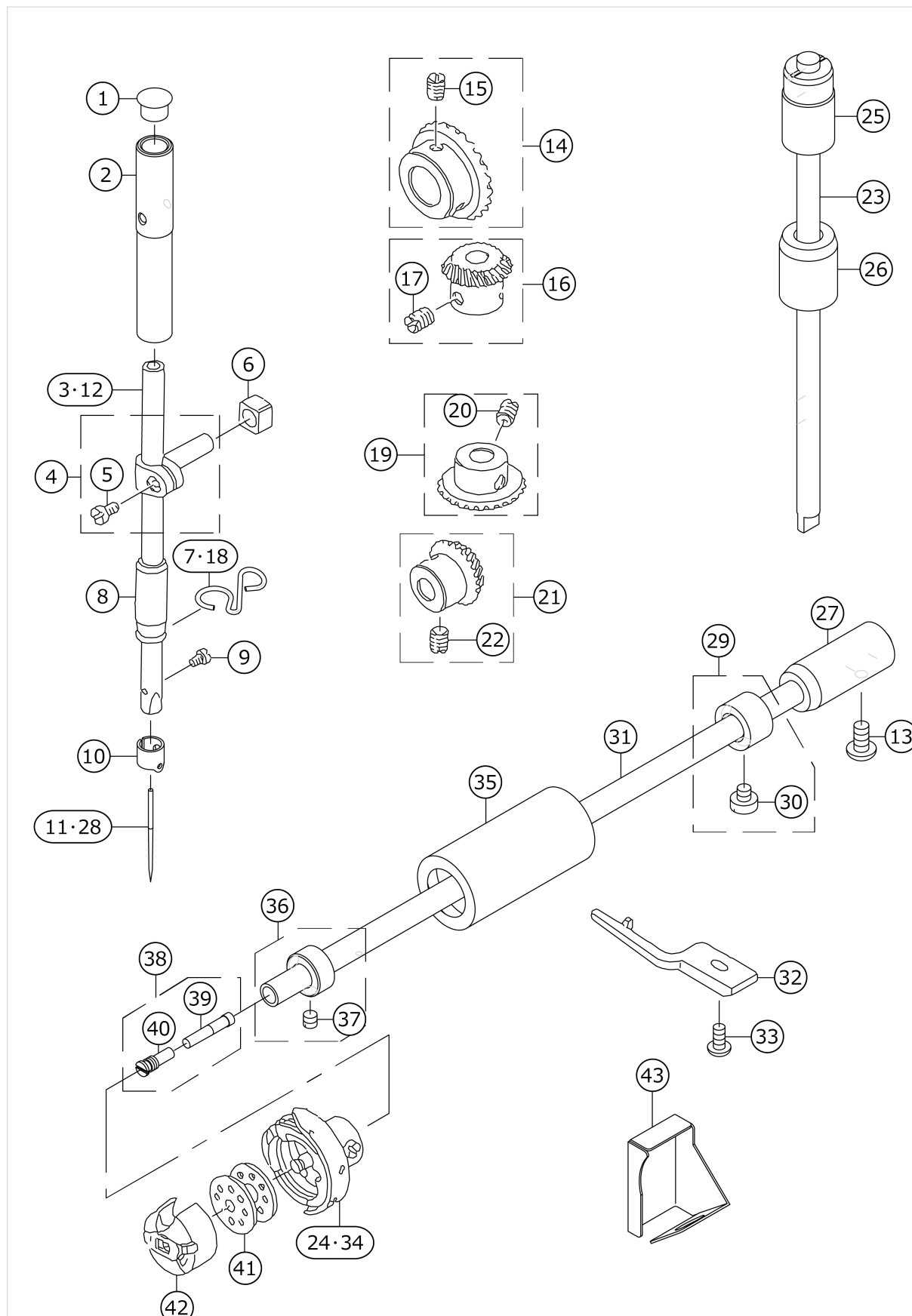
MAIN SHAFT & THREAD TAKE-UP LEVER COMPONENTS



No.	品番	品名	備考	子部品	消耗品	個数
1	SS8151150TP	SCREW 15/64-28 L=10.5				1.00
2	22919559	THREAD TAKE-UP CRANK SHAFT ASM.				1.00
3	11002904	ROLLER FELT				1.00
4	22918072	THREAD TAKE-UP LEVER COMPL.				1.00
5	22918064	THREAD TAKE-UP LEVER ASM.		*		1.00
6	22918403	NEEDLE BEARING A	SELECTIVE PARTS(A ~ D)	*		2.00
7	22918502	NEEDLE BEARING B	SELECTIVE PARTS(A ~ D)	*		2.00
8	22918601	NEEDLE BEARING C	SELECTIVE PARTS(A ~ D)	*		2.00
9	22918700	NEEDLE BEARING D	SELECTIVE PARTS(A ~ D)	*		2.00
10	22918106	NEEDLE BAR CRANK		*		1.00
11	22906606	NEEDLE BAR CRANK ROD		*		1.00
12	22918304	LEFT SCREW		*		1.00
13	40106606	COUNTER_WEIGHT_ASM.				1.00
14	SS7681650TP	SCREW 9/32-28 L=16		*		1.00
15	22903108	COUNTER WEIGHT		*		1.00
16	SS8681650TP	SCREW 9/32-28 L=16		*		1.00
17	SS8660610TP	SCREW 1/4-40 L=6		*		2.00
18	RO044240100	RUBBER RING		*		1.00
19	SS4090615SP	SCREW 9/64-40 L=6				2.00
20	11002409	MAIN SHAFT BUSHING REAR				1.00
21	40105231	OIL SEAL				1.00
22	RC1850001KP	SNAP RING 18.5				1.00
23	22904155	THRUST COLLAR ASM.				1.00
24	SS8660610TP	SCREW 1/4-40 L=6		*		2.00
25	22903207	MAIN SHAFT FRONT BUSHING				1.00
26	B1215552000	OIL ADJUSTING COLLAR				1.00
27	22903306	BUSHING INTERMEDIATE				1.00
28	EA9500B0100	CABLE BAND				1.00
29	22919203	RUBBER				1.00
30	22937064	HAND WHEEL COMPL.				1.00
31	40017623	HAND WHEEL ASM.	FOR SH			1.00
32	WP0450801SD	WASHER 4.5X10X0.8		*		2.00
33	SS8151550SP	SCREW 15/64-28 L=15		*		2.00
34	22937056	HAND WHEEL ASM.		*		1.00
35	22937155	MAGNET FITTING BASE A ASM.		*		1.00
36	22937254	MAGNET FITTING BASE B ASM.		*		1.00
37	SS6111210SP	SCREW 11/64-40 L=12		*		2.00
38	40017625	MAGNET FITTING BASE B ASM.	FOR SH	*		1.00
39	40017624	MAGNET FITTING BASE A ASM.	FOR SH	*		1.00
40	22903900	OIL AMOUNT ADJUSTING PIN				1.00
41	RO029180100	RUBBER RING				1.00
42	22910103	THRUST COLLAR				1.00
43	22937965	DYNAMO STATOR				1.00
44	22903009	MAIN SHAFT				1.00
45	SL4051001MZ	SCREW M5 L=9.6				2.00
46	22910053	FEED DRIVE ECCENTRIC CAM ASM.				1.00

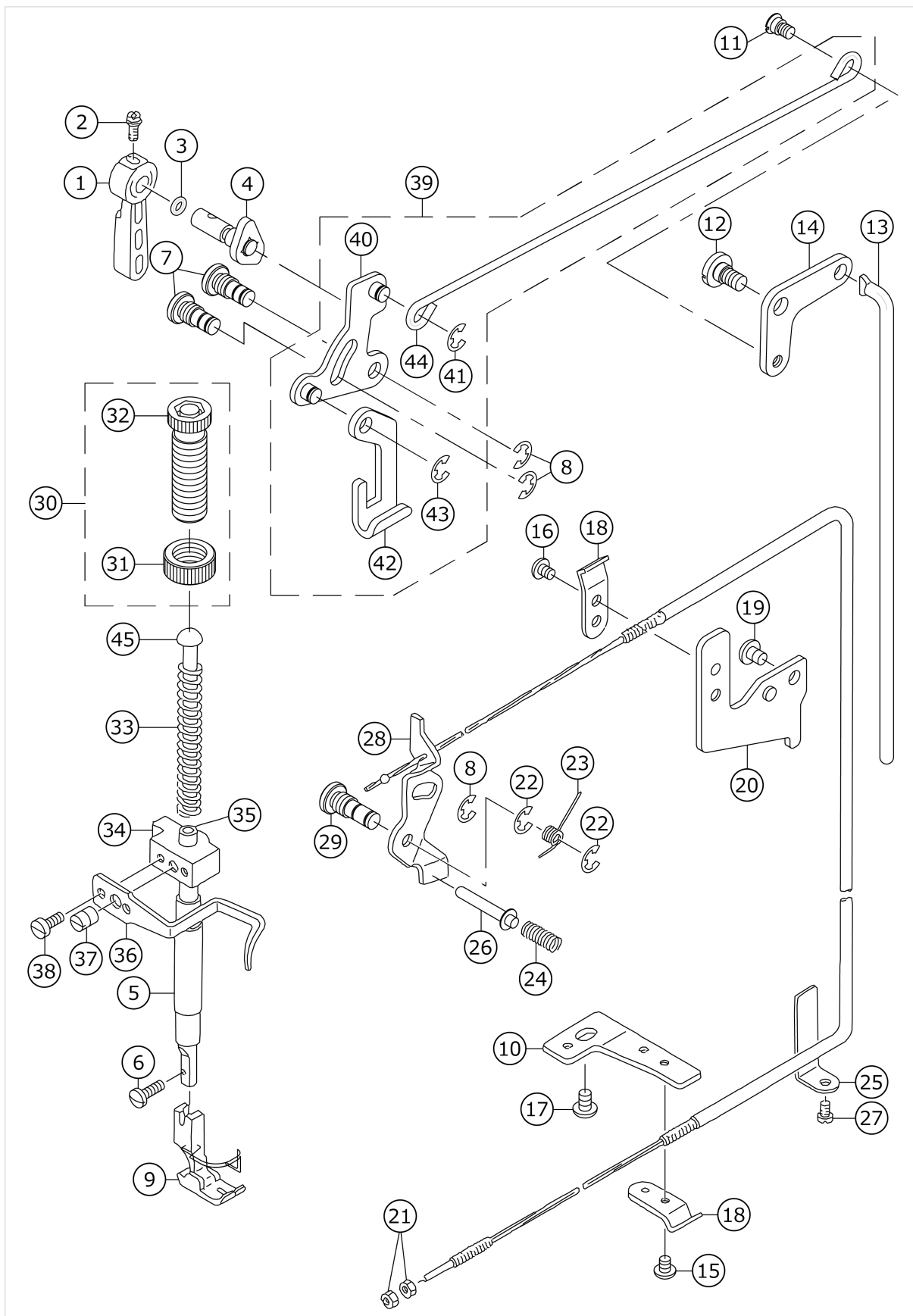
47	S96661110SP	SCREW 1/4-40 L=11		*		2.00
48	22910004	FEED DRIVE ECCENTRIC CAM		*		1.00

NEEDLE BAR, UPRIGHT SHAFT & HOOK DRIVING SHAFT COMPONENTS



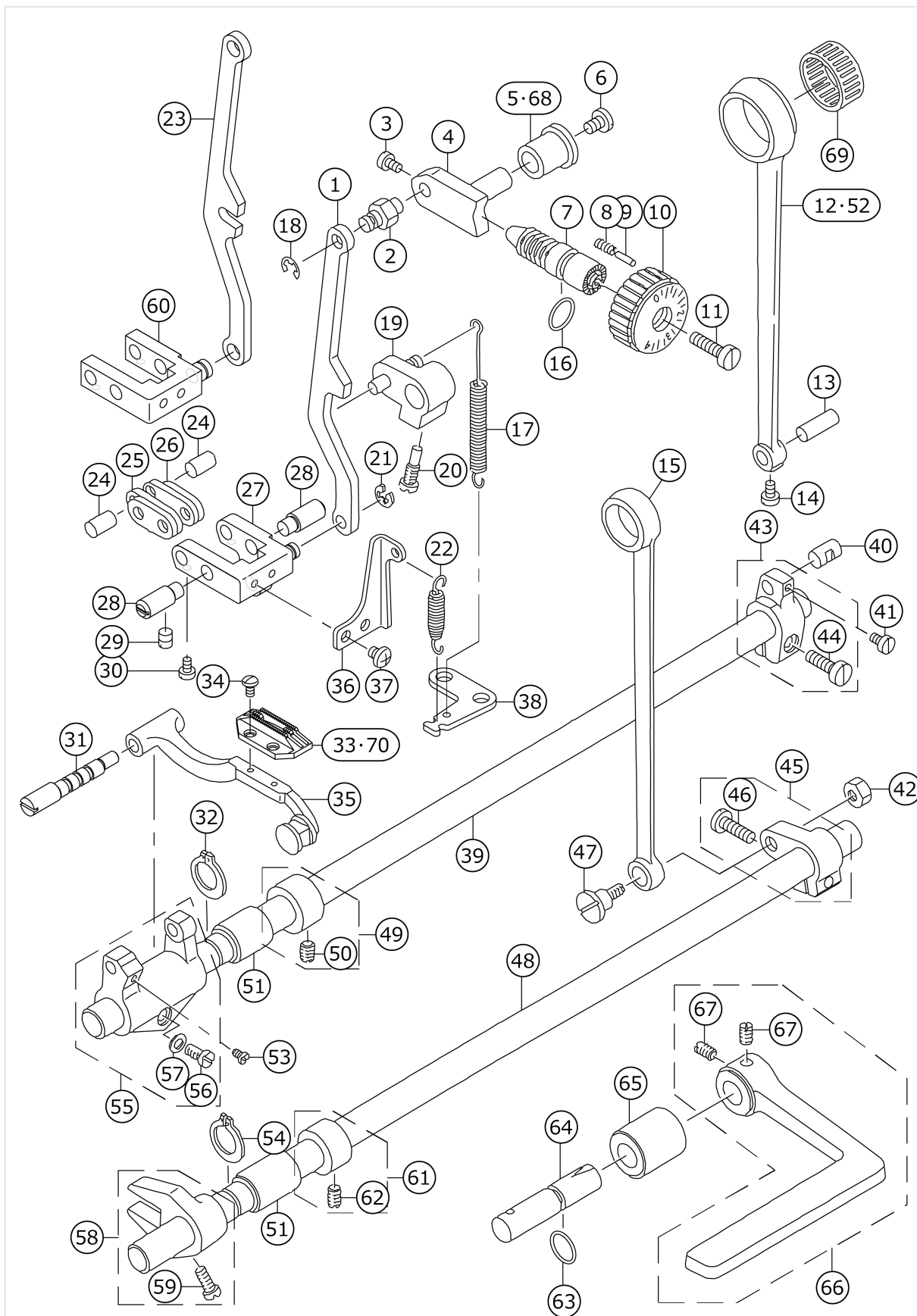
No.	品番	品名	備考	子部品	消耗品	個数
1	TA0850604R0	RUBBER PLUG				1.00
2	22906101	NEEDLE BAR BUSHING UPPER				1.00
3	22939508	NEEDLE BAR				1.00
4	22906457	NEEDLE ROD HOLDER ASM.				1.00
5	SS6090670TP	SCREW 9/64-40 L=6		*		1.00
6	40090058	SLIDE BLOCK				1.00
7	40012444	NEEDLE BAR THREAD GUIDE				1.00
8	22906200	NEEDLE BAR BUSHING LOWER				1.00
9	SS7080510TP	SCREW 1/8-44 L=4.5				1.00
10	22906309	NEEDLE BAR THREAD GUIDE				1.00
11	MDB100B1400	NEEDLE DBX1 #14				1.00
12	22939607	NEEDLE BAR B	FOR JE			1.00
13	SS4120925SP	SCREW 3/16-28 L=9				1.00
14	40090002	UPPER LARGE BEVEL GEAR ASM.				1.00
15	SS8660810TP	SCREW 1/4-40 L=8		*		2.00
16	40090003	UPPER SMALL BEVEL GEAR ASM.				1.00
17	SS8660810TP	SCREW 1/4-40 L=8		*		2.00
18	40012444	NEEDLE BAR THREAD GUIDE	FOR SH			1.00
19	40090004	LOWER LARGE BEVEL GEAR ASM.				1.00
20	SS8660810TP	SCREW 1/4-40 L=8		*		2.00
21	40090005	LOWER SMALL BEVEL GEAR ASM.				1.00
22	SS8660810TP	SCREW 1/4-40 L=8		*		2.00
23	22905004	UPRIGHT SHAFT				1.00
24	11141355	HOOK ASM.	FOR JE			1.00
25	22905103	UPRIGHT SHAFT BUSHING LOWER				1.00
26	22905202	UPRIGHT SHAFT BUSHING LOWER				1.00
27	22916308	BUSHING REAR				1.00
28	MC200500900	NEEDLE 134 90	FOR JE			1.00
29	22917157	THRUST COLLAR ASM.				1.00
30	SS6110420TP	SCREW 11/64-40 L=4.8		*		2.00
31	22916001	LOWER SHAFT				1.00
32	22942502	BOBBIN CASE HOLDER				1.00
33	SS4110915TP	SCREW 11/64-40 L=9				1.00
34	11038650	HOOK ASM.	EXCEPT JE			1.00
35	22916100	LOWER SHAFT FRONT METAL				1.00
36	40101694	THRUST_COLLAR_ASM_FRONT				1.00
37	SS8110410TP	SCREW 11/64-40 L=3.5		*		2.00
38	22916555	OIL SEAL SCREW ASM.				1.00
39	11015906	OIL WICK		*		1.00
40	22916506	OIL SEAL SCREW		*		1.00
41	22932909	BOBBIN				1.00
42	11038759	BOBBIN CASE ASM.				1.00
43	22942601	OIL SHIELD				1.00

HAND LIFTER COMPONENTS



No.	品番	品名	備考	子部品	消耗品	個数
1	22907802	HAND LIFTER				1.00
2	B1521555000	SCREW				1.00
3	RO037180100	RUBBER RING				1.00
4	22908552	HAND LIFTER CAM ASM.				1.00
5	40060989	PRESSER BAR BUSHING LOWER				1.00
6	SS7091110TP	SCREW 9/64-40 L=10.5				1.00
7	22908701	LINK SHAFT				2.00
8	RE0500000K0	E-RING				3.00
9	B15240120BA	PRESSER FOOT ASM.				1.00
10	22944706	WIRE HOLDER BRACKET LOWER				1.00
11	22908909	HINGE SCREW				1.00
12	SD0720331SP	HINGE SCREW D=7.24 H=3.3				1.00
13	22909006	KNEE LIFTER CONNECTING ROD				1.00
14	22908800	LIFTING LEVER LINK				1.00
15	SS4110515SP	SCREW 11/64-40 L=5				1.00
16	SS4110515SP	SCREW 11/64-40 L=5				1.00
17	SS4150915SP	SCREW 15/64-28 L=9	FOR DDL-8700-7-00			1.00
18	22944508	WIRE HOLDER A				2.00
19	SS4120615SP	SCREW 3/16-28 L=6				1.00
20	22944607	WIRE HOLDER BRACKET UPPER				1.00
21	NS6620310SP	NUT 3/16-32				2.00
22	RE0500000K0	E-RING				2.00
23	22920201	TENSION RELEASE RETURN SPRING				1.00
24	22920409	THREAD RELEASE PIN SPRING				1.00
25	22945109	WIRE CABLE HOLDER				1.00
26	22920300	TENSION RELEASE SUPPORTING PIN				1.00
27	SS4120615SP	SCREW 3/16-28 L=6				1.00
28	22944854	THREAD RELEASE WIRE ASM.				1.00
29	22920102	TENSION RELEASE SHAFT				1.00
30	22907554	PRESSER SPRING REG NUT ASM.				1.00
31	22907604	PRESSER ADJUSTING SCREW NUT		*		1.00
32	22907505	PRESSER SPRING REGULATOR		*		1.00
33	22907406	PRESSER ADJUSTING SPRING				1.00
34	22907208	PRESSER BAR GUIDE BRACKET				1.00
35	40017805	PRESSER BAR				1.00
36	22907307	PRESSER BAR THREAD GUIDE				1.00
37	SS8660810TP	SCREW 1/4-40 L=8				1.00
38	SS6090910SP	SCREW 9/64-40 L=9				2.00
39	22908354	KNEE LIFTING CROSS ROD ASM.				1.00
40	22908156	HAND LIFTER LINK		*		1.00
41	RE0500000K0	E-RING		*		1.00
42	22908008	LIFTING LEVER		*		1.00
43	RE0500000K0	E-RING		*		1.00
44	22908305	KNEE LIFTING CROSS ROD		*		1.00
45	22907703	PRESSER GUIDE BAR				1.00

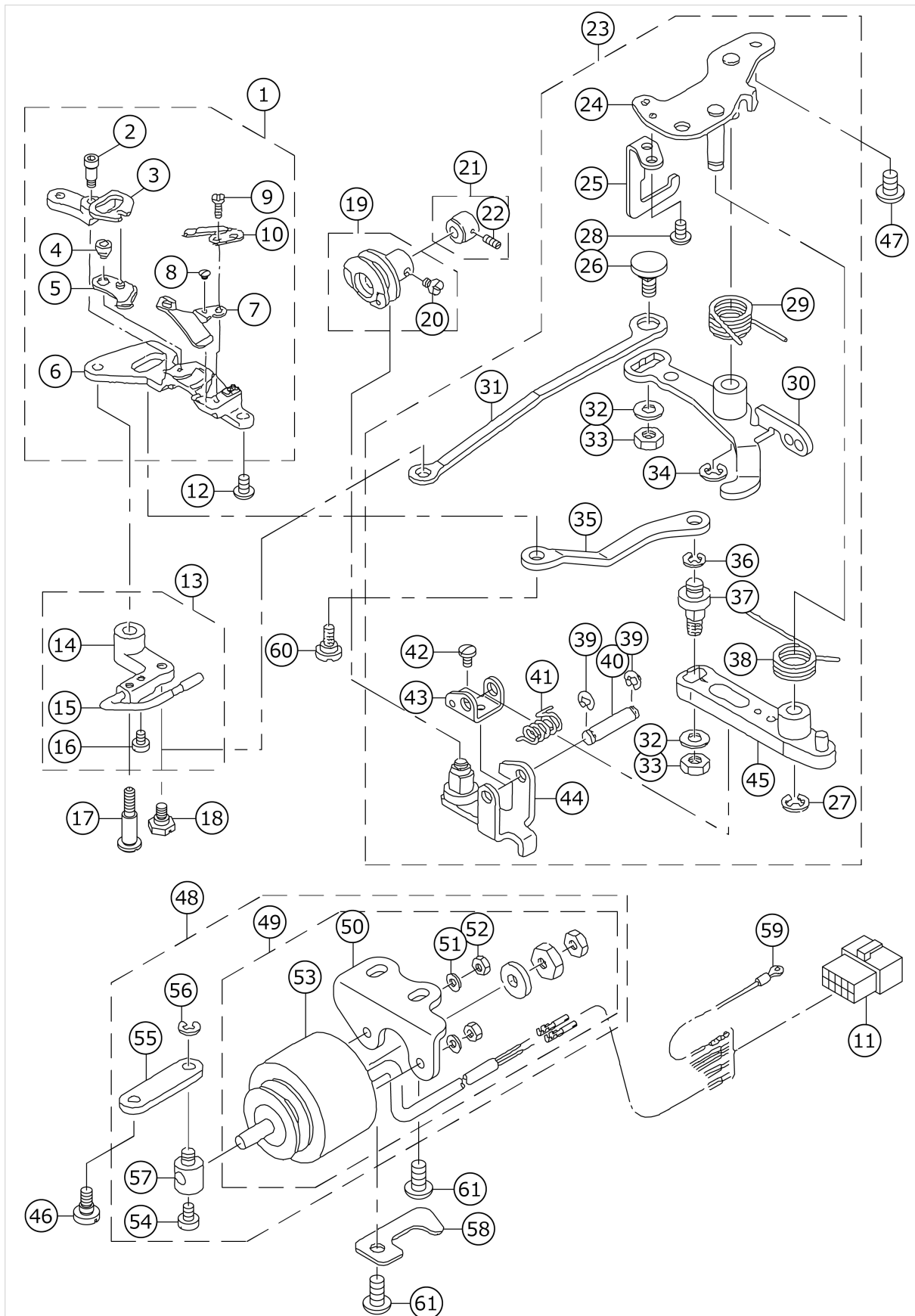
FEED MECHANISM COMPONENTS



No.	品番	品名	備考	子部品	消耗品	個数
1	22941108	FEED ADJUST ROD	FOR DDL-8700-7-0B,-WB			1.00
2	22911507	FEED REGULATOR PIN				1.00
3	SS6090670TP	SCREW 9/64-40 L=6				2.00
4	22911606	FEED REGULATOR				1.00
5	22911705	FEED REGULATOR BUSHING	FOR DDL-8700-7-00			1.00
6	SS7120770SH	SCREW 3/16-28 L=7				1.00
7	22911804	FEED REGULATOR SCREW				1.00
8	22912109	SPRING				1.00
9	22912000	FEED ADJUST PIN				1.00
10	22940506	FEED DIAL				1.00
11	SS6121860SP	SCREW 3/16-28 L=18				1.00
12	22910202	ROCKER SHAFT CONNECTING ROD				1.00
13	22911101	WALKING FOOT PIN C				1.00
14	SS6090620TP	SCREW				1.00
15	22915003	CONNECTING ROD				1.00
16	RO092270200	RUBBER RING				1.00
17	11010311	FEED REVERSE SPRING				1.00
18	RE0500000K0	E-RING				1.00
19	22912257	FEED REVERSE ARM ASM.				1.00
20	22912505	SCREW				1.00
21	RE0500000K0	E-RING				1.00
22	11037405	SPRING				1.00
23	22911408	FEED REGULATOR CONNCTING ROD	FOR DDL-8700-7-00			1.00
24	22910905	WALKING FOOT PIN A				2.00
25	40089548	CONNECTING LINK B				2.00
26	40093417	CONNECTING LINK A				2.00
27	22940951	FEED ADJUST LINK ASM.	FOR DDL-8700-7-0B,-WB			1.00
28	22910806	ADJUSTING LINK FULCRUM SHAFT A				2.00
29	SS8150710TP	SCREW 15/64-28 L=7				2.00
30	SS6090620TP	SCREW				2.00
31	40101462	FEED BASE SHAFT				1.00
32	RC0150001KP	RETAINING RING 13.8				1.00
33	B1613012I00	FEED DOG I	EXCEPT USE IN JAPAN			1.00
34	SS4080620TP	SCREW 1/8-44 L=6				2.00
35	22940753	FEED BAR ASM.				1.00
36	22941306	ADJUSTING LINK SPRING GUIDE				1.00
37	SS4110515SP	SCREW 11/64-40 L=5				2.00
38	22913701	FEED SPRING HOOK				1.00
39	22912901	FEED ROCKER SHAFT				1.00
40	22911002	WALKING FOOT PIN B				1.00
41	SS6090620TP	SCREW				1.00
42	NS6680410SP	NUT 9/32-28				1.00
43	40110379	ASSY_FEED_ROCKER_ARM				1.00
44	SS6121610SP	SCREW 3/16-28 L=15.5		*		1.00
45	40109422	FEED_ARM_ASM				1.00

46	SS7121610SP	SCREW 3/16-28 L=15.5		*		1.00
47	SD1000801SH	HINGE SCREW D=10 H=8				1.00
48	22915201	FEED DRIVING SHAFT				1.00
49	22904155	THRUST COLLAR ASM.				1.00
50	SS8660610TP	SCREW 1/4-40 L=6		*		2.00
51	22913008	FEED ROCKER SHAFT BUSHING				2.00
52	22913800	HORIZONTAL FEED ROD B	FOR JE,JA			1.00
53	SS7110740TP	SCREW 11/64-40 L=7				1.00
54	RC0150001KP	RETAINING RING 13.8				1.00
55	22940654	FEED BAR CRANK ASM.				1.00
56	SS7121410TP	SCREW 3/16-28 L=14		*		1.00
57	WP0480856SP	WASHER 4.8X8.4X0.8		*		1.00
58	22915359	DRIVING SHAFT CRANK ASM.				1.00
59	SS7111120SP	SCREW 11/64-40 L=10.5		*		1.00
60	22910459	WALKING FOOT ADJUSTING LINK	FOR DDL-8700-7-00			1.00
61	22904155	THRUST COLLAR ASM.				1.00
62	SS8660610TP	SCREW 1/4-40 L=6		*		2.00
63	RO078190100	RUBBER RING				1.00
64	40100812	FEED LEVER SHAFT				1.00
65	22912802	FEED LEVER METAL				1.00
66	40102264	FEED_REVER_ASM.				1.00
67	SM8061010TP	SCREW		*		2.00
68	11009800	FEED REGULATOR BUSHING	FOR DDL-8700-7-0B,-WB			1.00
69	22914105	BEARING C	SELECTIVE PART S(FOR JE,JA)			1.00
70	B1613012A00	FEED DOG A	FOR USE IN JAPAN			1.00

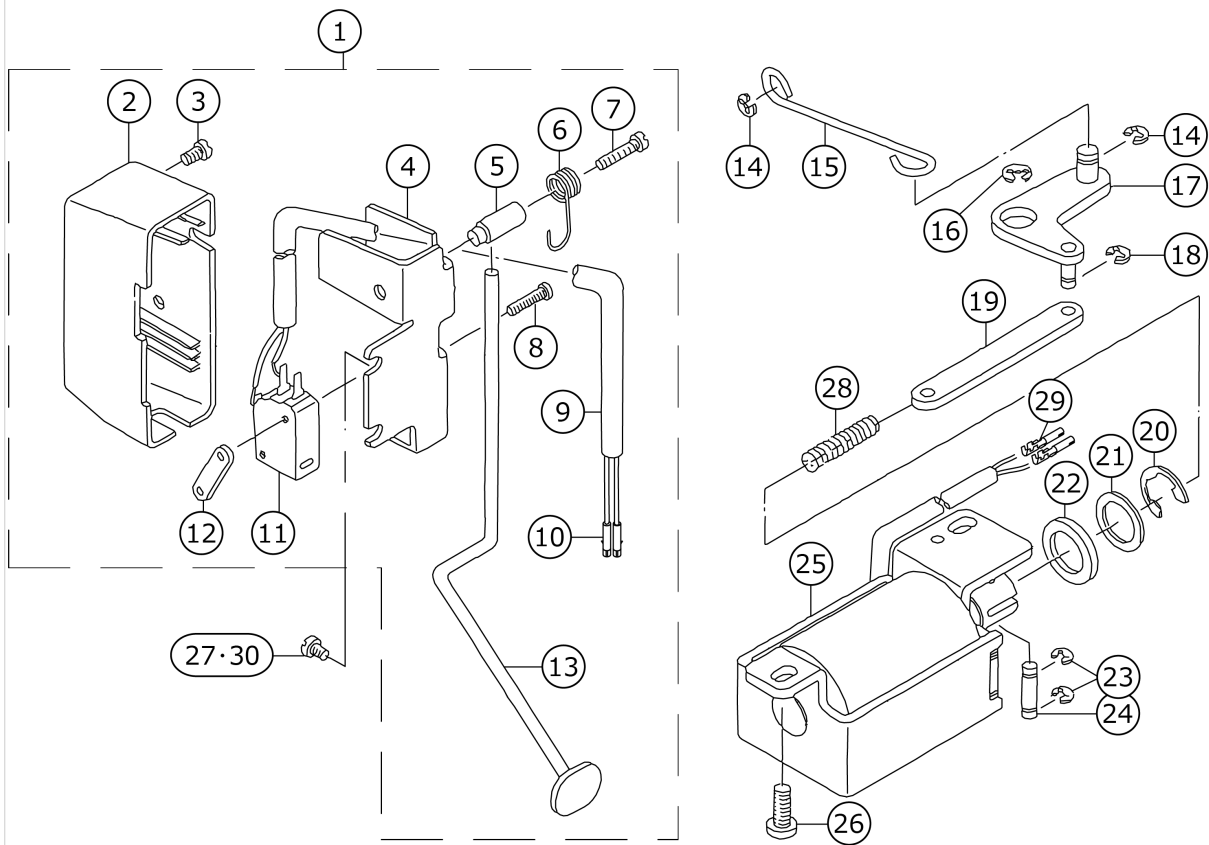
THREAD TRIMMER COMPONENTS



No.	品番	品名	備考	子部品	消耗品	個数
1	11040359	KNIFE UNIT				1.00
2	SD0460703TP	HINGE SCREW D=4.6 H=7		*		1.00
3	11040508	FORKED BASE FOR KNIFE		*		1.00
4	11040409	MOVING KNIFE HINGE SCREW		*		1.00
5	11040052	MOVING KNIFE ASM.		*		1.00
6	11040300	KNIFE MOUNTING BASE		*		1.00
7	11313103	THREAD GUIDE FOR KNIFE		*		1.00
8	SS2060210SP	SCREW 3/32-56 L=2.3		*		1.00
9	SS4080620TP	SCREW 1/8-44 L=6		*		2.00
10	D2406555D0H	COUNTER KNIFE		*		1.00
11	HK034610140	HOUSING 14P				1.00
12	SS4110715SP	SCREW 11/64-40 L=7				1.00
13	22950257	PICKER ARM ASM.				1.00
14	22950208	PICKER ARM		*		1.00
15	22950356	THREAD TAKE-UP PICKER ASM.		*		1.00
16	SS6090510TP	SCREW 9/64-40 L=5.0		*		2.00
17	SD0641451SP	HINGE SCREW D=6.35 H=14.5				1.00
18	SD0630275SP	HINGE SCREW D=6.35 H=2.7				1.00
19	22950851	THREAD TRIMMER CAM ASM.				1.00
20	SS6660610TP	SCREW 1/4-40 L=6		*		2.00
21	22950950	CAM COLLAR ASM.				1.00
22	SS8110520TP	SCREW 11/64-40 L=4.5		*		1.00
23	22949762	THREAD TRIMMER DRIVING UNIT				1.00
24	22949754	BASE PLATE ASM.		*		1.00
25	22950703	DRIVING ARM STOPPE		*		1.00
26	22950000	PICKER LINK PIN		*		1.00
27	RE0600000K0	E-RING 6		*		1.00
28	SS4110715SP	SCREW 11/64-40 L=7		*		2.00
29	22949408	CLUTCH SPRING		*		1.00
30	40087245	CLUTCH PLATE ASM.		*		1.00
31	22950109	PICKER LINK		*		1.00
32	WP0621016SH	WASHER		*		2.00
33	NS6150430SP	NUT 15/64-28		*		2.00
34	RE0600000K0	E-RING 6		*		1.00
35	22948301	MOVING KNIFE LINK		*		1.00
36	RE0500000K0	E-RING		*		1.00
37	22948400	MOVING KNIFE LINK PIN		*		1.00
38	22949309	KNIFE RETURN SPRING B		*		1.00
39	RE0400000K0	E-RING 4		*		2.00
40	22949101	ROLLER FULCRUM SHAFT		*		1.00
41	22949200	ROLLER FULCRUM SPRING		*		1.00
42	SS7090610SP	SCREW 9/64-40 L=6		*		1.00
43	22949002	ROLLER ARM BRACKET		*		1.00
44	11040953	ROLLER ARM ASM.		*		1.00
45	11040854	KNIFE DRIVING ARM ASM.		*		1.00
46	SD0600361SP	HINGE SCREW D=6 H=3.6				1.00
47	SS4150915SP	SCREW 15/64-28 L=9				2.00
48	22951164	SOLENOID UNIT				1.00
49	40106930	THREAD TRIMMER SOLENOID ASM.		*		1.00
50	22951404	SOLENOID BASE		*		1.00

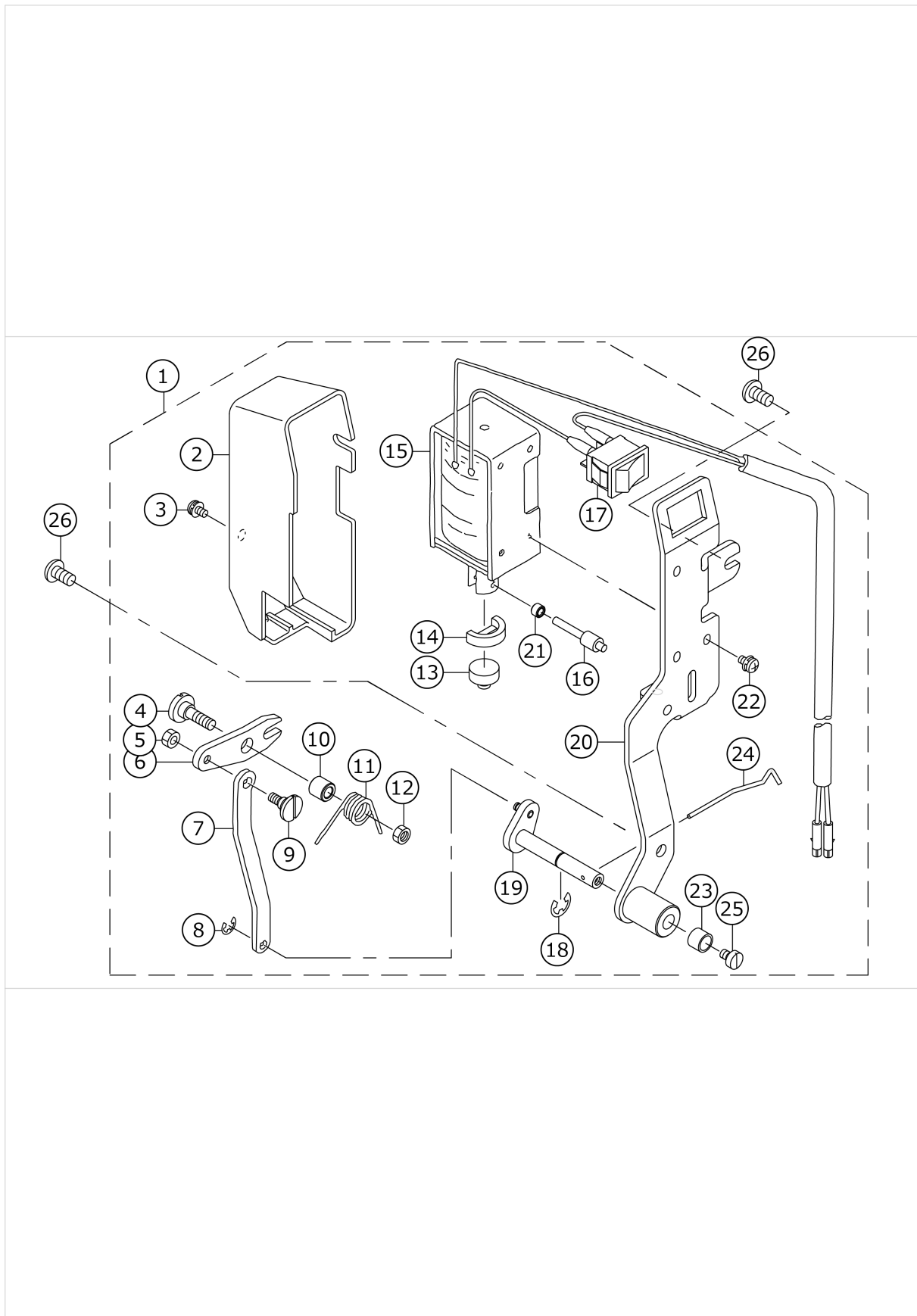
51	WS0410002KR	SPRING WASHER M4		*		2.00
52	NM6040001SE	NUT M4		*		2.00
53	40106931	THREAD TRIMMER SOLENOID		*		1.00
54	SS6110710TP	SCREW 11/64-40 L=6.5		*		1.00
55	22949903	CLUTCH LINK		*		1.00
56	RE0500000K0	E-RING		*		1.00
57	22951008	SOLENOID PIN		*		1.00
58	22924807	TUBE HOLDER LOWER				1.00
59	22951552	GROUND WIRE ASM.				1.00
60	SD0640631TP	HINGE SCREW D=6.35 H=6.3				1.00
61	SS4151215SP	SCREW 15/64-28 L=12				2.00

AUTOMATIC REVERSE FEED COMPONENTS



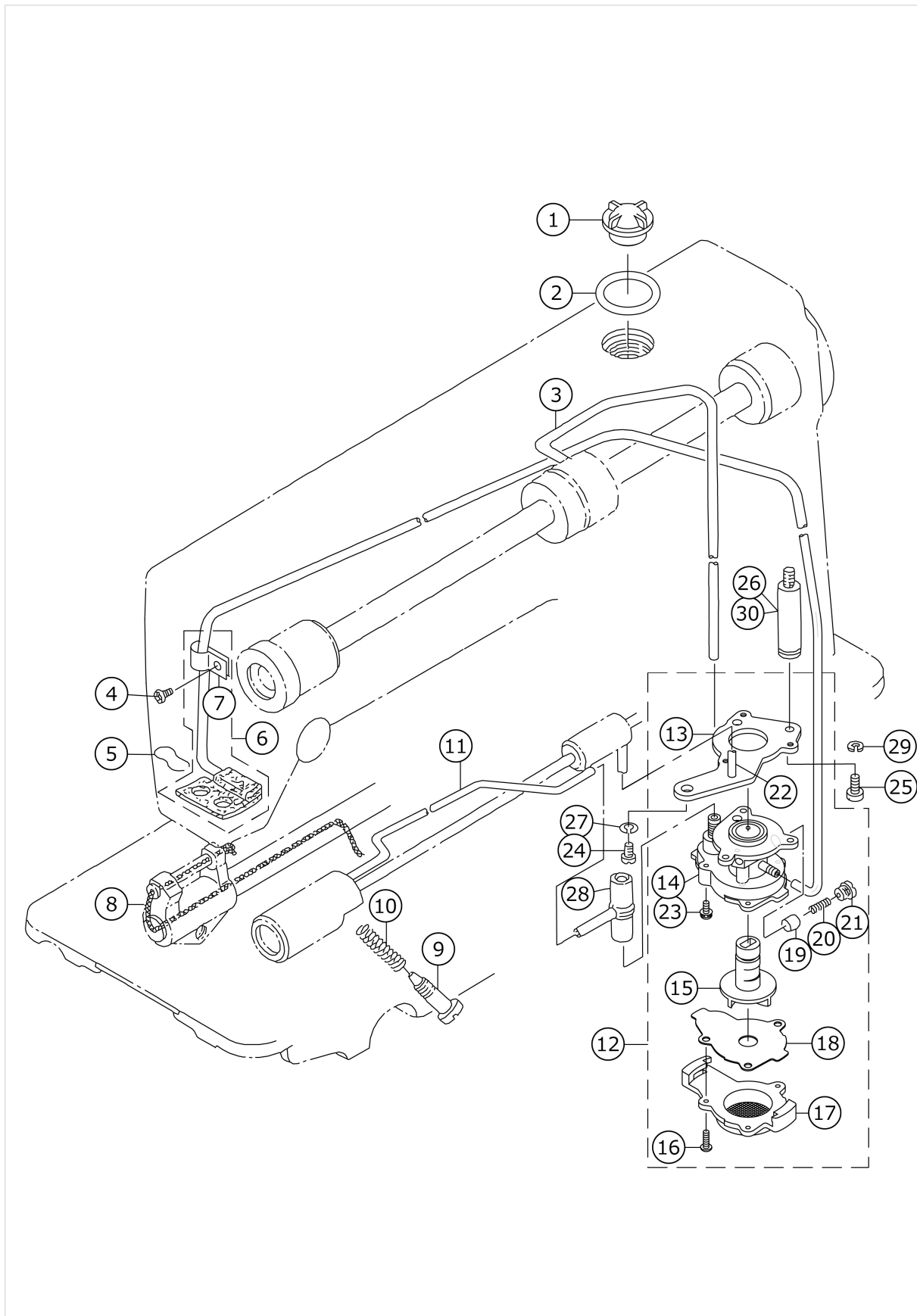
No.	品番	品名	備考	子部品	消耗品	個数
1	22954150	REVERSE FEED SWITCH ASM.				1.00
2	22954606	REVERSE FEED SWITCH COVER		*		1.00
3	SM4040655SP	SCREW M4 L=6		*		1.00
4	22954101	REVERSE FEED SWITCH BASE		*		1.00
5	22954200	REVERSE FEED SWITCH SHAFT		*		1.00
6	22954309	REVERSE FEED SWITCH SPRING		*		1.00
7	SM4041655SP	SCREW M4 L=16		*		1.00
8	SM4031501SC	SCREW M3 L=15		*		2.00
9	HW500070000	2-CORE CABTYRE CORD		*		1.31
10	HK03464000B	PIN CONTACT		*		2.00
11	HA001900000	MICROSWITCH		*		1.00
12	22954408	SWITCH HOLDING PLATE		*		1.00
13	22954507	REVERSE FEED SWITCH LEVER		*		1.00
14	RE0500000KP	E-RING 5				2.00
15	22953806	REVERSE FEED CONNECTING SHAFT				1.00
16	RE0900000K0	E-RING 9				1.00
17	22953657	CONNECTING ARM ASM.				1.00
18	RE0400000KP	E-RING 4				1.00
19	22953905	REVERSE FEED CONNECTING LINK				1.00
20	RE1200000K0	E-RING 12				1.00
21	WP1602616SZ	WASHER 16X24X2.6				1.00
22	D2468555B00	RUBBER PLUNGER				1.00
23	RE0400000K0	E-RING 4				2.00
24	22953509	PLUNGER ARM PIN				1.00
25	40085585	REVERSE FEED SOLENOID ASM.				1.00
26	SS4151215SP	SCREW 15/64-28 L=12				2.00
27	SS4120915SP	SCREW 3/16-28 L=9				1.00
28	22954002	PLUNGER SPRING				1.00
29	HK03464000B	PIN CONTACT				2.00
30	SS4120615SP	SCREW 3/16-28 L=6	FOR DDL-8700-7-0B			1.00

WIPER COMPONENTS



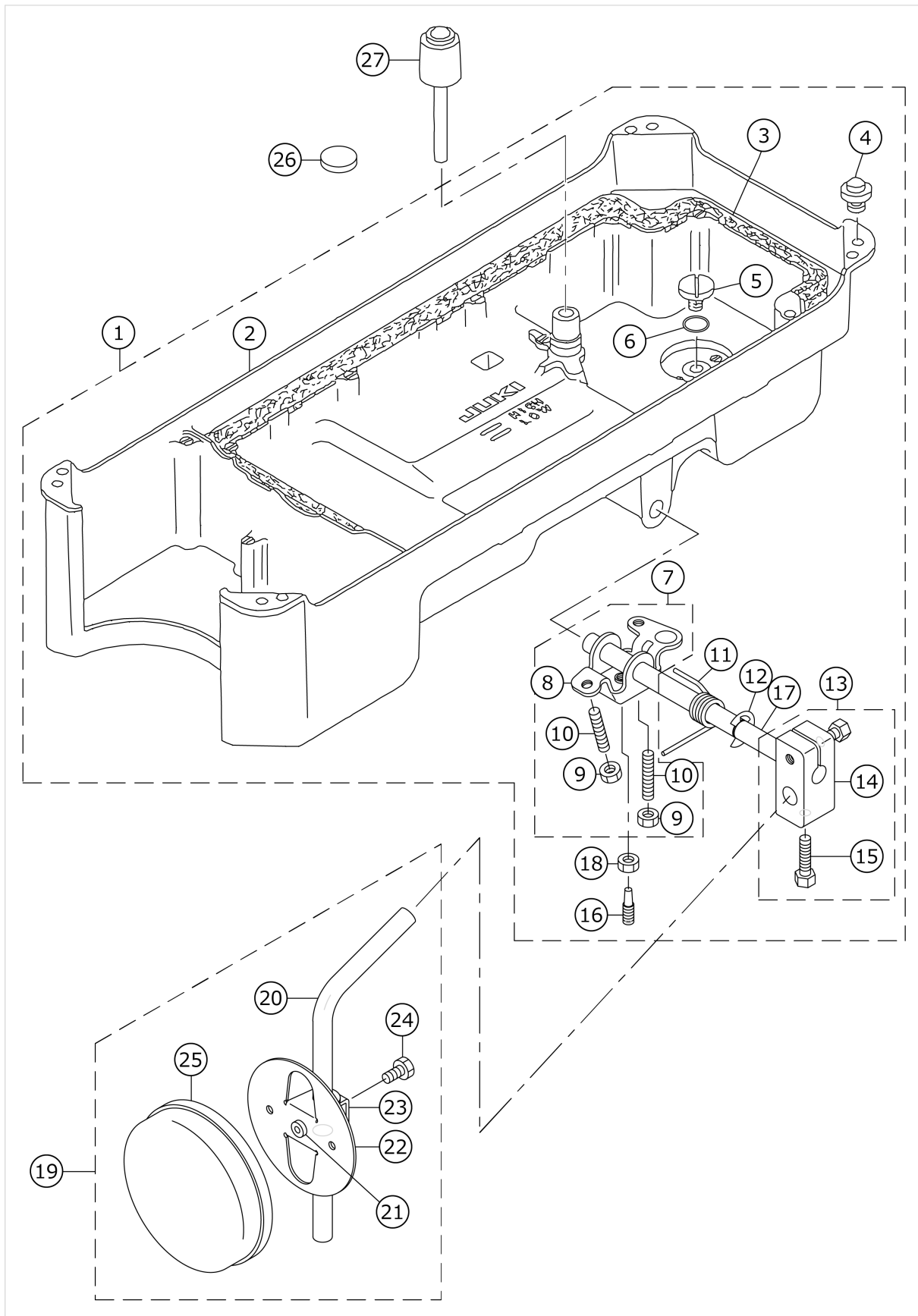
No.	品番	品名	備考	子部品	消耗品	個数
1	22955553	WIPER ASM.				1.00
2	22955504	WIPER COVER		*		1.00
3	SL4030631SC	SCREW M3X6		*		1.00
4	SD0650321TP	HINGE SCREW D=6.5 H=3.2		*		1.00
5	NS6090310SP	NUT 9/64-40		*		1.00
6	22956106	WIPER LINK A		*		1.00
7	22956403	WIPER LINK B		*		1.00
8	RE0250000K0	E-RING 2.5		*		1.00
9	22956908	WIPER LINK B HINGE SCREW		*		1.00
10	22956205	WIPER HINGE SCREW COLLAR		*		1.00
11	22956304	WIPER SPRING		*		1.00
12	NS6110310SP	NUT 11/64-40		*		1.00
13	22955900	WIPER RUBBER A		*		1.00
14	22956007	WIPER RUBBER B		*		1.00
15	40106936	WIPER SOLENOID ASM.		*		1.00
16	22957104	WIPER SOLENOID SHAFT		*		1.00
17	HA00600000A	SWITCH		*		1.00
18	RE0500000K0	E-RING		*		1.00
19	40041419	WIPER LINK C ASM.		*		1.00
20	11110152	WIPER BASE ASM.		*		1.00
21	22957203	WIPER LINK COLLAR		*		1.00
22	SL4030641SE	SCREW		*		3.00
23	22956809	WIPER COLLAR		*		1.00
24	22957005	WIPER		*		1.00
25	SS6090540SP	SCREW 9/64-40 L=5.0		*		1.00
26	SS4120915SP	SCREW 3/16-28 L=9				2.00

OIL LUBRICATION COMPONENTS



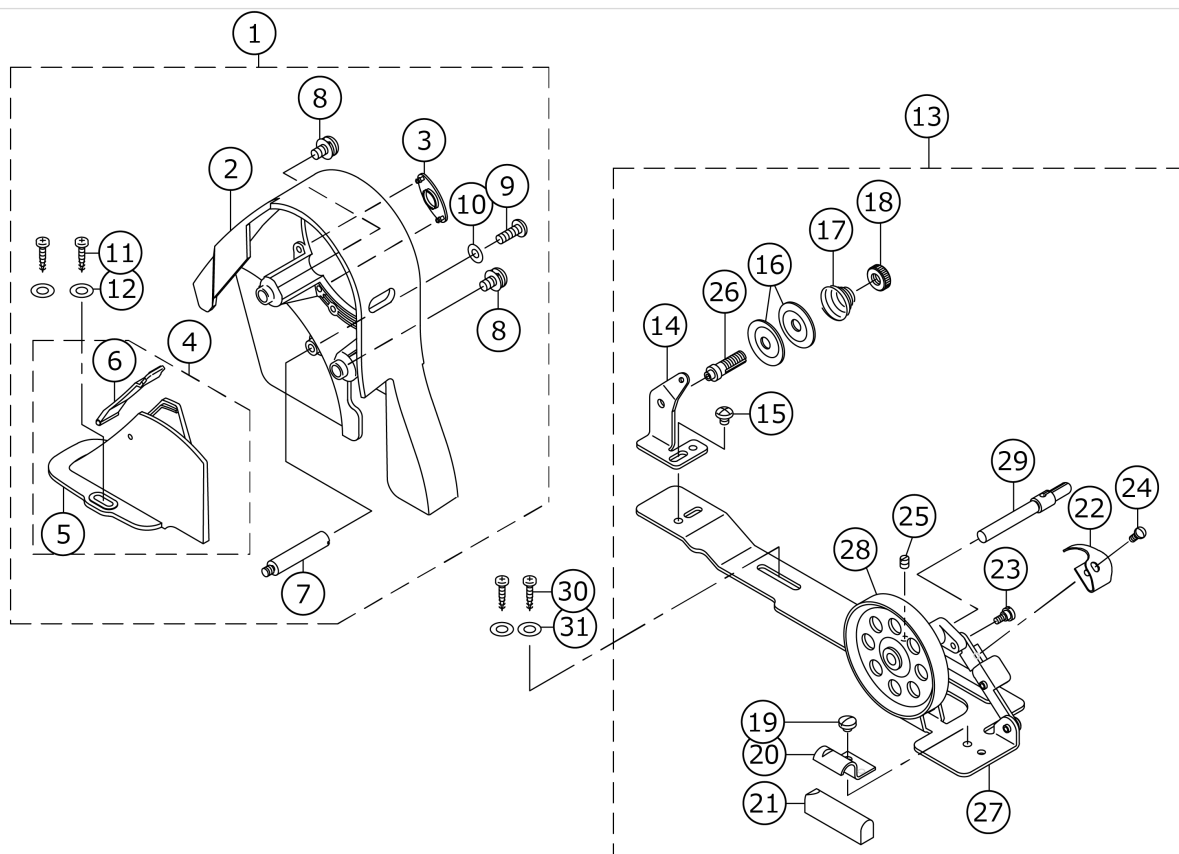
No.	品番	品名	備考	子部品	消耗品	個数
1	22924708	OIL SIGHT WINDOW				1.00
2	RO195240100	RUBBER RING				1.00
3	22924401	MAIN SHAFT OIL TUBE				1.00
4	SS4120615SP	SCREW 3/16-28 L=6				1.00
5	22925101	OIL FELT PRESSER				1.00
6	22924153	OIL RETURN TUBE ASM.				1.00
7	22924302	HOLDER		*		1.00
8	CQ252000000	OIL WICK				0.30
9	22925002	OIL ADJUSTING SCREW				1.00
10	22924906	SPRING				1.00
11	22924500	OIL TUBE				1.00
12	22923056	LUBRICATING OIL PUMP ASM.				1.00
13	22923312	OIL PUMP INSTALLING BASE		*		1.00
14	22923015	OIL PUMP		*		1.00
15	22923700	OIL PUMP IMPELLER		*		1.00
16	SE4301041SR	SCREW D=3 L=10		*		3.00
17	22923205	LUBRICATING OIL PUMP COVER		*		1.00
18	22923809	OIL PUMP IMPELLER COVER		*		1.00
19	22923403	PLUNGER		*		1.00
20	22923601	PLUNGER SPRING		*		1.00
21	22923502	PLUNGER SCREW		*		1.00
22	22923908	HOOK DRIVING SHAFT OIL TUBE		*		1.00
23	SL4030851SF	SCREW M3 L=8		*		3.00
24	SS4150915SP	SCREW 15/64-28 L=9				1.00
25	SS6111010TP	SCREW 11/64-40 L=9.5				1.00
26	22947105	OIL PUMP SUPPORT	FOR DDL-8700-7-0B,-WB			1.00
27	WS0651310KP	SPRING WASHER 6.5X11X1.3	FOR DDL-8700-7-0B,-WB			1.00
28	22924609	RUBBER JOINT				1.00
29	WS0451040KP	SPRING WASHER 4.5X8.5X1	FOR DDL-8700-7-0B,-WB			1.00
30	22924005	OIL PUMP SUPPORT	FOR DDL-8700-7-00			1.00

OIL RESERVOIR COMPONENTS



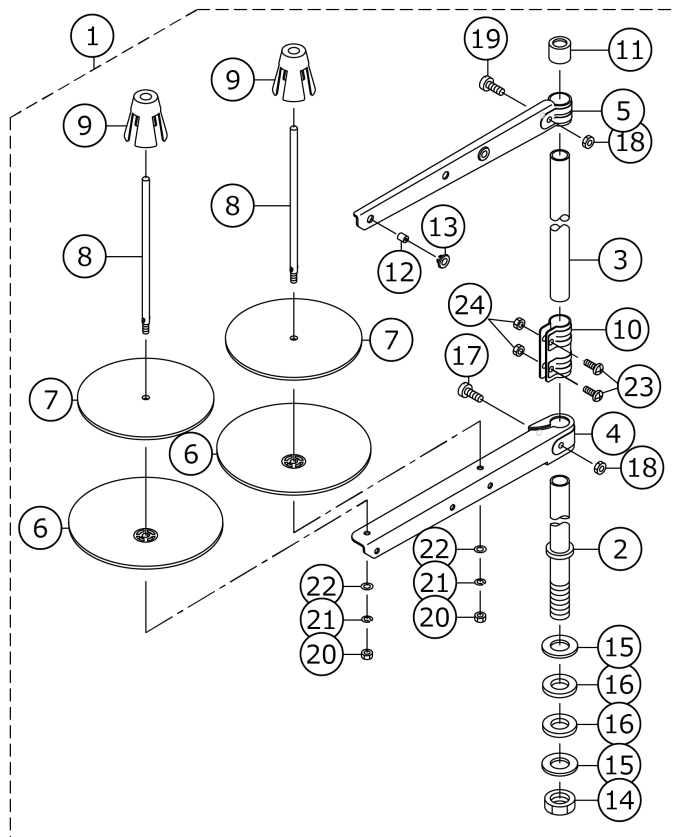
No.	品番	品名	備考	子部品	消耗品	個数
1	22931851	OIL RESERVOIR ASM.				1.00
2	22931802	OIL RESERVOIR		*		1.00
3	22931901	OIL RESERVOIR GASKET		*		1.00
4	22932008	RUBBER CUSHION		*		4.00
5	SS6700710SH	SCREW 5/16-24 L=7		*		1.00
6	RO098240100	RUBBER RING		*		1.00
7	22932156	KNEE LIFTER ROTATION ARM ASM.		*		1.00
8	22932107	KNEE LIFTING ROTATING ARM		*		1.00
9	NM6060001SE	NUT M6		*		2.00
10	SM8063012TR	SCREW M6 L=30		*		2.00
11	22932206	SPRING		*		1.00
12	RE1000000K0	E-RING 10		*		1.00
13	22932453	BRACKET ASM.		*		1.00
14	22932404	VERTICAL SHAFT FITTING ARM		*		1.00
15	22934707	SCREW		*		2.00
16	40101720	SCREW_M6		*		1.00
17	22932305	KNEE PRESS CROSS SHAFT		*		1.00
18	NM6060001SE	NUT M6		*		1.00
19	22934251	KNEE PAD PLATE ASM.				1.00
20	22934608	KNEE PAD UPRIGHT SHAFT		*		1.00
21	22934400	KNEE PAD PLATE RUBBER		*		1.00
22	22934202	KNEE PAD PLATE		*		1.00
23	22934301	KNEE PAD PLATE SUPPORT		*		1.00
24	SM9061203SE	SCREW M6 L=12		*		1.00
25	22934509	KNEE PAD PLATE COVER		*		1.00
26	B8228125000	OIL RESERVOIR MAGNET				1.00
27	22931703	KNEE LIFTER PUSH ROD				1.00

BELT COVER & BOBBIN COMPONENTS



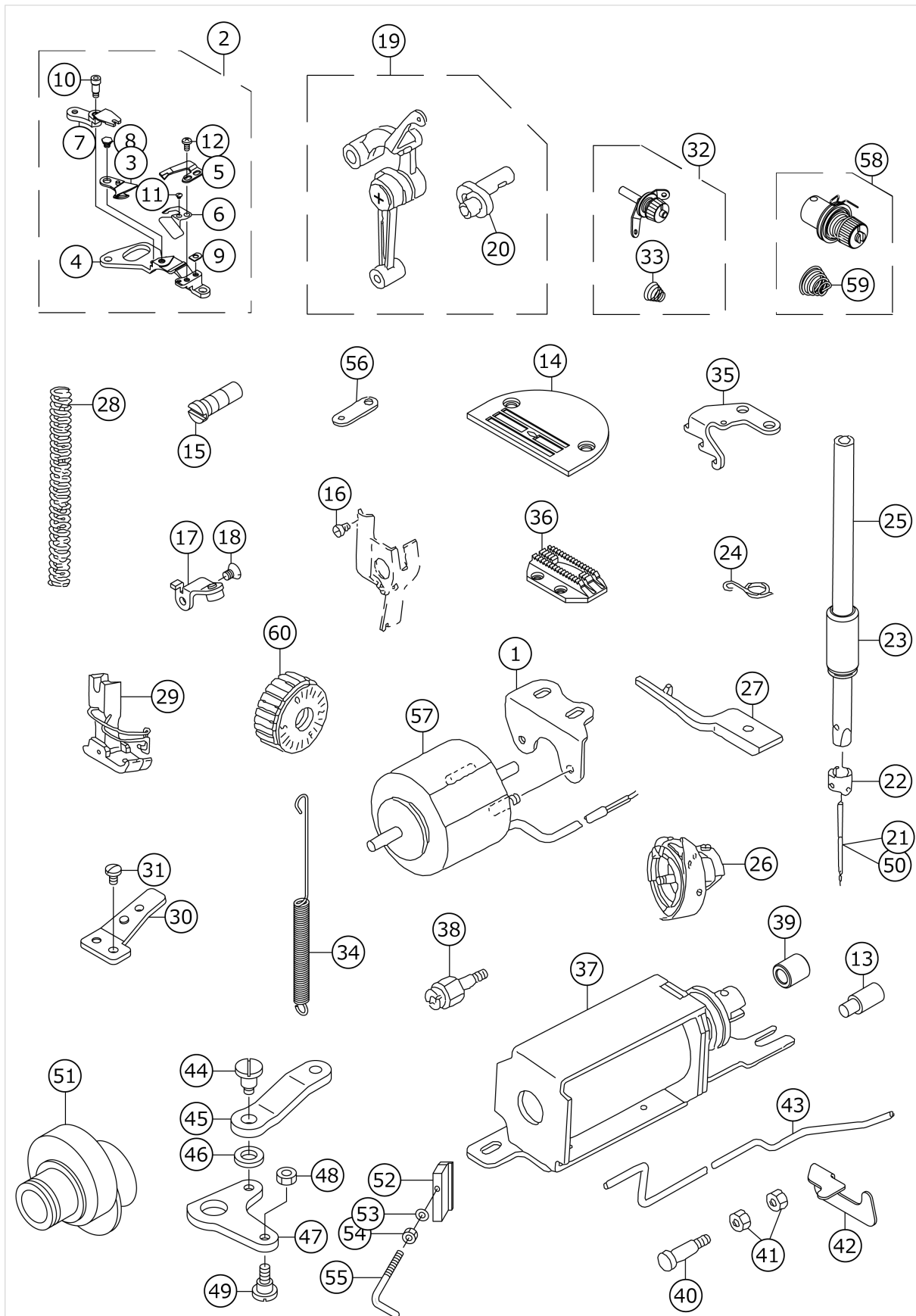
No.	品番	品名	備考	子部品	消耗品	個数
1	22933451	BELT COVER ASM.				1.00
2	22933402	BELT COVER A		*		1.00
3	22933501	BELT COVER A CAP		*		1.00
4	22933659	BELT COVER B COMPL.		*		1.00
5	22933600	BELT COVER B		*		1.00
6	22933758	BELT COVER B CAP ASM.		*		1.00
7	22933907	BELT COVER SUPPORT		*		1.00
8	22934004	BELT COVER A SCREW		*		2.00
9	SS4121415SP	SCREW 3/16-28 L=14		*		1.00
10	WP0501016SD	WASHER 5X10.5X1		*		1.00
11	SK3412000SC	WOOD SCREW D=4.1 L=20		*		2.00
12	WP0450826SC	WASHER 4.5X10X0.8		*		2.00
13	22927354	BOBBIN WINDER COMPL.				1.00
14	22928501	THREAD TENSION BRACKET		*		1.00
15	SS4110515SP	SCREW 11/64-40 L=5		*		1.00
16	22928907	THREAD TENSION DISK		*		2.00
17	22929004	THREAD TENSION SPRING		*		1.00
18	22928808	THREAD TENSION NUT		*		1.00
19	SS7110350SP	SCREW 11/64-40 L=3.5		*		1.00
20	22928402	RUBBER BRAKE PRESSER PLATE		*		1.00
21	22928303	RUBBER BRAKE		*		1.00
22	22928105	POSITIONING FINGER		*		1.00
23	SD0490261SP	HINGE SCREW D=4.9 H=2.6		*		1.00
24	SS7081310SP	SCREW 1/8-44 L=12.5		*		1.00
25	SS8110510SP	SCREW 11/64-40 L=5		*		1.00
26	22928709	THREAD TENSION BRACKET		*		1.00
27	22927305	BOBBIN BASE		*		1.00
28	22927404	BOBBIN PULLEY		*		1.00
29	22927602	BOBBIN WINDER POST		*		1.00
30	SK3412000SC	WOOD SCREW D=4.1 L=20				2.00
31	WP0450826SC	WASHER 4.5X10X0.8				2.00

THREAD STAND COMPONENTS



No.	品番	品名	備考	子部品	消耗品	個数
1	40096354	THREAD STAND ASM.				1.00
2	40085784	SPOOL REST ROD LOWER		*		1.00
3	40085785	SPOOL REST ROD UPPER		*		1.00
4	40085786	SPOOL REST ARM LOWER		*		1.00
5	40085787	SPOOL REST ARM UPPER		*		1.00
6	40085788	SPOOL REST		*		2.00
7	40085789	SPOOL REST CUSHION		*		2.00
8	40085790	SPOOL PIN		*		2.00
9	40085791	SPOOL RETAINER		*		2.00
10	40085792	SPOOL REST ROD JOINT		*		1.00
11	40085793	SPOOL REST ROD RUBBER CAP		*		1.00
12	40085794	THREAD GUIDE		*		2.00
13	40085795	THREAD GUIDE BUSHING		*		2.00
14	40096325	SPOOL REST ROD NUT		*		1.00
15	WP1612616SE	WASHER 16X30X2.6		*		2.00
16	40085796	SPOOL REST ROD RUBBER CUSHION		*		2.00
17	40096326	SPOOL REST ARM LOWER SCREW		*		1.00
18	NM6050001SE	NUT M5		*		2.00
19	40096327	SPOOL REST ARM UPPER SCREW		*		1.00
20	NM6050001SE	NUT M5		*		2.00
21	WS0510002KN	SPRING WASHER M5		*		2.00
22	WP0531001SC	WASHER M5		*		2.00
23	SM4051405SE	SCREW M5 L=14		*		2.00
24	NM6050001SE	NUT M5		*		2.00

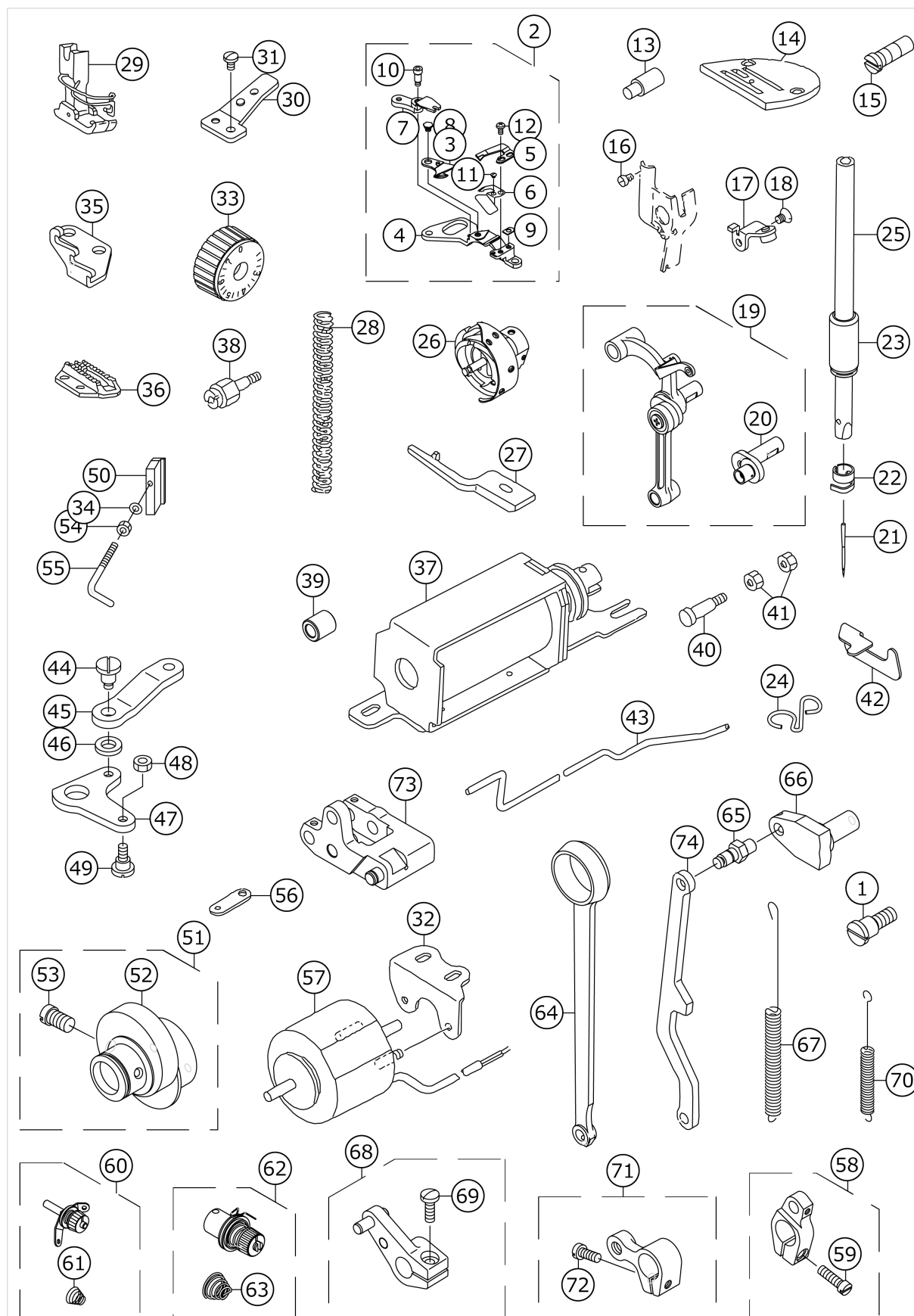
EXCLUSIVE PARTS FOR DDL-8700H-7



No.	品番	品名	備考	子部品	消耗品	個数
1	11094901	SOLENOID BASE				1.00
2	11095551	KNIFE UNIT				1.00
3	11409257	MOVING KNIFE J ASM.		*		1.00
4	11095502	KNIFE MOUNT BASE		*		1.00
5	40089755	FIX KNIFE		*		1.00
6	11095403	KNIFE THREAD GUIDE		*		1.00
7	11095601	KNIFE BRANCH		*		1.00
8	SD0500131TP	HINGE SCREW D=5 H=1.25		*		1.00
9	D2404555B00	COUNTER KNIFE SPACER		*		1.00
10	SD0460703TP	HINGE SCREW D=4.6 H=7		*		1.00
11	SS2060210SP	SCREW 3/32-56 L=2.3		*		1.00
12	SS4080620TP	SCREW 1/8-44 L=6		*		2.00
13	40010395	ADJUSTING LINK FULCRUM SHAFT B	FOR DDL-8700H-7-0B,-WB			1.00
14	11400801	THROAT PLATE J				1.00
15	B1213552000A	OIL ADJUSTING PIN				1.00
16	SS6080320SP	SCREW 1/8-44 L=2.5				1.00
17	11095254	LEVER STOPPER ASM.	FOR DDL-8700H-7-0B,-WB			1.00
18	SS1120710SP	SCREW 3/16-28 L=6.5	FOR DDL-8700H-7-0B,-WB			1.00
19	11091659	LINK THREAD TAKE-UP LEVER ASM.				1.00
20	11091600	NEEDLE BAR CRANK H		*		1.00
21	MDB100B2100	NEEDLE DBX1 #21				1.00
22	B1418415H00	NEEDLE BAR THREAD GUIDE				1.00
23	22970313	NEEDLE BAR BUSHING LOWER				1.00
24	40023223	NEEDLE BAR THREAD GUIDE				1.00
25	22970206	NEEDLE BAR				1.00
26	11092251	LUBRICATING HOOK ASM.				1.00
27	11093804	POSITIONING FINGER H				1.00
28	B1505552000A	PRESSER SPRING				1.00
29	D1524555EBL	PRESSER FOOT ASM.				1.00
30	22962807	WIRE PRESSER PLATE (LOWER) B	FOR DDL-8700H-7-0B,-WB			1.00
31	SS7110740TP	SCREW 11/64-40 L=7	FOR DDL-8700H-7-0B,-WB			1.00
32	22963458	THREAD TENSION ASM.				1.00
33	22963409	THREAD TENSION SPRING		*		1.00
34	40080725	ADJUSTING LINK SPRING				1.00
35	22970602	FEED SPRING HOOK				1.00
36	11403003	FEED J				1.00
37	11096658	SOLENOID MOUNTING BASE ASM.	FOR DDL-8700H-7-0B,-WB			1.00
38	11231503	OIL PUMP SUPPORT	FOR DDL-8700H-7-0B,-WB			1.00
39	22962609	REVERSE FEED BASE COLLAR	FOR DDL-8700H-7-0B,-WB			1.00
40	22962906	PLUNGER ARM PIN	FOR DDL-8700H-7-0B,-WB			1.00
41	NS6110420SP	NUT 11/64-40	FOR DDL-8700H-7-0B,-WB			2.00

42	22962708	TUBE HOLDER LOWER	FOR DDL-8700H-7-0B,-WB			1.00
43	11094109	OIL TUBE				1.00
44	SD0700711TP	HINGE SCREW D=7 H=7.1	FOR DDL-8700H-7-0B,-WB			1.00
45	22962500	SOLENOID CONNECTING LINK H	FOR DDL-8700H-7-0B,-WB			1.00
46	WP0722316SH	WASHER	FOR DDL-8700H-7-0B,-WB			1.00
47	11101508	REVERSE FEED LINK	FOR DDL-8700H-7-0B,-WB			1.00
48	NS6110420SP	NUT 11/64-40	FOR DDL-8700H-7-0B,-WB			1.00
49	SD0700451TP	HINGE SCREW D=7 H=4.5	FOR DDL-8700H-7-0B,-WB			1.00
50	MC200501300	NEEDLE 134 NM130	FOR JE			1.00
51	22962351	FEED DRIVE ECCENTRIC CAM ASM.				1.00
52	11403805	THREAD GUIDE C FITTING PLATE				1.00
53	WP0371016SD	WASHER 3.7X8X1				1.00
54	NS6090310SP	NUT 9/64-40				1.00
55	22972608	ARM THREAD GUIDE C				1.00
56	11094604	CLUTCH LINK				1.00
57	11096500	THREAD TRIMMER SOLENOID				1.00
58	22962054	THREAD TENSION ASM.				1.00
59	22962005	THREAD TENSION SPRING		*		1.00
60	40101726	FEED_DIAL				1.00

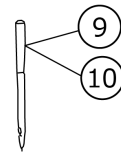
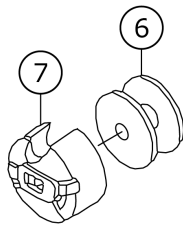
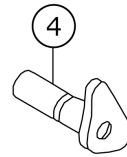
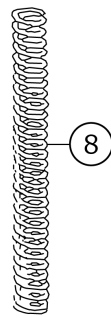
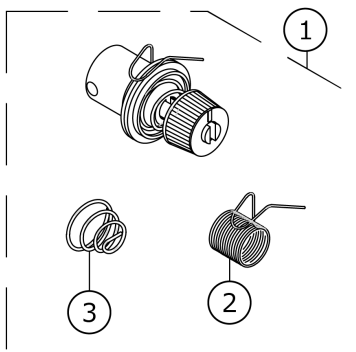
EXCLUSIVE PARTS FOR DDL-8700J-7



No.	品番	品名	備考	子部品	消耗品	個数
1	40031249	HINGE SCREW				1.00
2	11095551	KNIFE UNIT				1.00
3	11409257	MOVING KNIFE J ASM.		*		1.00
4	11095502	KNIFE MOUNT BASE		*		1.00
5	40089755	FIX KNIFE		*		1.00
6	23645401	THREAD GUIDE FOR KNIFE H		*		1.00
7	11095601	KNIFE BRANCH		*		1.00
8	SD0500131TP	HINGE SCREW D=5 H=1.25		*		1.00
9	D2404555B00	COUNTER KNIFE SPACER		*		1.00
10	SD0460703TP	HINGE SCREW D=4.6 H=7		*		1.00
11	SS2060210SP	SCREW 3/32-56 L=2.3		*		1.00
12	SS4080620TP	SCREW 1/8-44 L=6		*		2.00
13	40010395	ADJUSTING LINK FULCRUM SHAFT B				1.00
14	11062007	THROAT PLATE A				1.00
15	B1213552000A	OIL ADJUSTING PIN				1.00
16	SS6080320SP	SCREW 1/8-44 L=2.5				1.00
17	11095254	LEVER STOPPER ASM.				1.00
18	SS1120710SP	SCREW 3/16-28 L=6.5				1.00
19	11062858	LINK THREAD TAKE-UP LEVER ASM.				1.00
20	11062809	NEEDLE BAR CRANK		*		1.00
21	MDP500B2100	NEEDLE DPX5 #21				1.00
22	22970404	NEEDLE BAR THREAD HOOK				1.00
23	22970313	NEEDLE BAR BUSHING LOWER				1.00
24	40012444	NEEDLE BAR THREAD GUIDE				1.00
25	22970206	NEEDLE BAR				1.00
26	40035058	HOOK ASM.				1.00
27	22942502	INNER HOOK PRESSER				1.00
28	B1505552000A	PRESSER SPRING				1.00
29	40064839	PRESSER FOOT ASM.				1.00
30	22962807	WIRE PRESSER PLATE (LOWER) B				1.00
31	SS7110740TP	SCREW 11/64-40 L=7				1.00
32	11094901	SOLENOID BASE				1.00
33	40039674	FEED DIAL				1.00
34	WP0371016SD	WASHER 3.7X8X1				1.00
35	22970602	FEED SPRING HOOK				1.00
36	11062601	FEED DOG				1.00
37	11096658	SOLENOID MOUNTING BASE ASM.				1.00
38	11231503	OIL PUMP SUPPORT				1.00
39	22962609	REVERSE FEED BASE COLLAR				1.00
40	22962906	PLUNGER ARM PIN				1.00
41	NS6110420SP	NUT 11/64-40				2.00
42	22962708	TUBE HOLDER LOWER				1.00
43	11094109	OIL TUBE				1.00
44	SD07007111TP	HINGE SCREW D=7 H=7.1				1.00
45	22962500	SOLENOID CONNECTING LINK H				1.00
46	WP0722316SH	WASHER				1.00
47	11101508	REVERSE FEED LINK				1.00
48	NS6110420SP	NUT 11/64-40				1.00
49	SD0700451TP	HINGE SCREW D=7 H=4.5				1.00
50	11403805	THREAD GUIDE C FITTING PLATE				1.00

51	22970552	FEED ECCENTRIC CAM ASM.				1.00
52	22970503	FEED ECCENTRIC CAM L		*		1.00
53	22972806	FEED ECCENTRIC CAM SETSCREW		*		2.00
54	NS6090310SP	NUT 9/64-40				1.00
55	22972608	ARM THREAD GUIDE C				1.00
56	11094604	CLUTCH LINK				1.00
57	11096500	THREAD TRIMMER SOLENOID				1.00
58	22970859	HORIZONTAL FEED ARM ASM.				1.00
59	SS6121610SP	SCREW 3/16-28 L=15.5		*		1.00
60	22963458	THREAD TENSION ASM.				1.00
61	22963409	THREAD TENSION SPRING		*		1.00
62	22962054	THREAD TENSION ASM.				1.00
63	22962005	THREAD TENSION SPRING		*		1.00
64	22970701	HORIZONTAL FEED ROD				1.00
65	22971204	FEED REGULATOR BASE PIN				1.00
66	22971303	FEED REGULATOR BASE				1.00
67	11302619	SPRING				1.00
68	22971550	FEED LEVER ARM ASM.				1.00
69	SS7121410TP	SCREW 3/16-28 L=14		*		1.00
70	22971709	FEED REVERSE SPRING				1.00
71	22972251	VERTICAL FEED ARM ASM.				1.00
72	SS6121610SP	SCREW 3/16-28 L=15.5		*		1.00
73	40031240	FEED ADJUST LINK ASM.				1.00
74	40031244	FEED ADJUST ROD				1.00

EXCLUSIVE PARTS FOR DDL-8700A-7



No.	品番	品名	備考	子部品	消耗品	個数
1	40011503	THREAD TENSION ASM.				1.00
2	40054784	THREAD TAKE-UP SPRING		*		1.00
3	40054785	THREAD TENSION SPRING		*		1.00
4	11092558	HAND LIFTER CAM ASM.				1.00
5	D1524555DBA	PRESSER FOOT ASM.				1.00
6	22964001	BOBBIN A				1.00
7	B18370120A0	BOBBIN CASE ASM.				1.00
8	B1505227T00A	PRESSER SPRING T				1.00
9	MC200500650	NEEDLE 134 NM65	FOR JE			1.00
10	MDA100B0900	NEEDLE DAX1 #9				1.00

LIST FOR INFORMATION OF CHANGE (1)

As to the place changed, refer to the corresponding Rev.No.
 When previous parts(Obsoleted part)and new parts(Added parts)are
 not interchangeable with each other:
 In this case, even obsoleted parts(D.)can be ordered with the
 obsoleted part number, so select the parts with changed dates and
 place your orders.

変更箇所は、該当Rev.No.版をご参照ください。

部品の互換性がない変更の場合は、削除された品番でも、ご注文できます。

29347002

No.1307-09・・・Rev.No.

*A:Added parts追加部品/D:Obsoleted parts削除部品/E:Erratum訂正

* Rev. No.	Page 頁	Ref. No.	Parts No. 品番	* Rev. No.	Page 頁	Ref. No.	Parts No. 品番
D 08	2	1	229-02159	A 09	2	1	401-02097
D 08	2	8	SS-4120915-SP	A 09	2	8	SS-4120925-SP
D 08	2	20	400-93432	A 09	2	20	401-11022
D 08	2	50	SS-4120915-SP	A 09	2	50	SS-4120925-SP
D 08	2	61	229-02605	A 09	2	61	400-99083
D 08	2	62	SS-7110540-SP	A 09	2	62	SS-7110720-SP
D 08	2	63	WP-0501016-SD				
				A 09	2	63	401-16677
D 08	2	64	SS-4121215-SP				
D 08	2	66	M6008-350-AAL				
D 08	2	67	M6008-350-AAA				
D 08	2	68	M6008-350-AAF				
D 08	4	4	110-39070	A 09	4	4	229-18072
D 08	4	5	110-39062	A 09	4	5	229-18064
D 08	4	6	B1905-541-B00	A 09	4	6	229-18403
				A 09	4	7	229-18502
				A 09	4	8	229-18601
				A 09	4	9	229-18700
D 08	4	7	110-05204	A 09	4	10	229-18106
D 08	4	8	B1408-552-000	A 09	4	11	229-06606
D 08	4	9	B1903-552-000	A 09	4	12	229-18304
D 08	4	10	229-03157	A 09	4	13	401-06606
D 08	4	21	110-02508	A 09	4	21	401-05231
D 08	6	1	229-01409	A 09	6	1	TA-0850604-R0
D 08	6	12	B1307-155-0C0				
D 08	6	13	B1306-155-0B0				
D 08	6	14	B1305-012-0A0	A 09	6	14	400-90002
D 08	6	16	B1306-155-0A0	A 09	6	16	400-90003
D 08	6	18	B1307-155-0B0				
D 08	6	19	B1307-155-0A0	A 09	6	19	400-90004
D 08	6	21	B1308-155-0A0	A 09	6	21	400-90005
D 08	6	36	229-17058	A 09	6	36	401-01694
D 08	6	45	SS-4120915-SP	A 09	6	13	SS-4120925-SP
D 08	10	31	229-40803	A 09	10	31	401-01462
D 08	10	43	229-10350	A 09	10	43	401-10379
D 08	10	45	229-15151	A 09	10	45	401-09422

HOW TO MAKE USE OF THIS PARTS LIST

1.Explanation of codes

1)"*"mark.....means this part is changed from the previous parts book.

As to the details of the change, refer to the "List for information of change".

2)"#01".....refer to "Note" explanation at bottom of page.

2.Codes on the "Qty" column

· Each numeral indicates the number of parts required.

· "0.1" and "2.5" indicate the length (in meters) of the respective parts.

3.Parentheses mean that the corresponding part is a subpart that constructs an assembly part.

4.Dotted lines on the Figures indicate assembly parts.

1."注記"欄の記号説明

1) "*"印.....前回のパーツブックに比較して今回変更された部品を意味します。

変更内容は、"変更情報リスト"を参照してください。

2) "#01".....ページ下の"注記"の説明を参照してください。

2.数量欄の数字は、個数を表し、0.1、2.5等の数値は、長さ（単位メートル）を表します。

3.数量欄の（ ）は、組部品を構成している子部品であることを意味します。

4.イラストページの-----枠は、組構成であることを意味します。