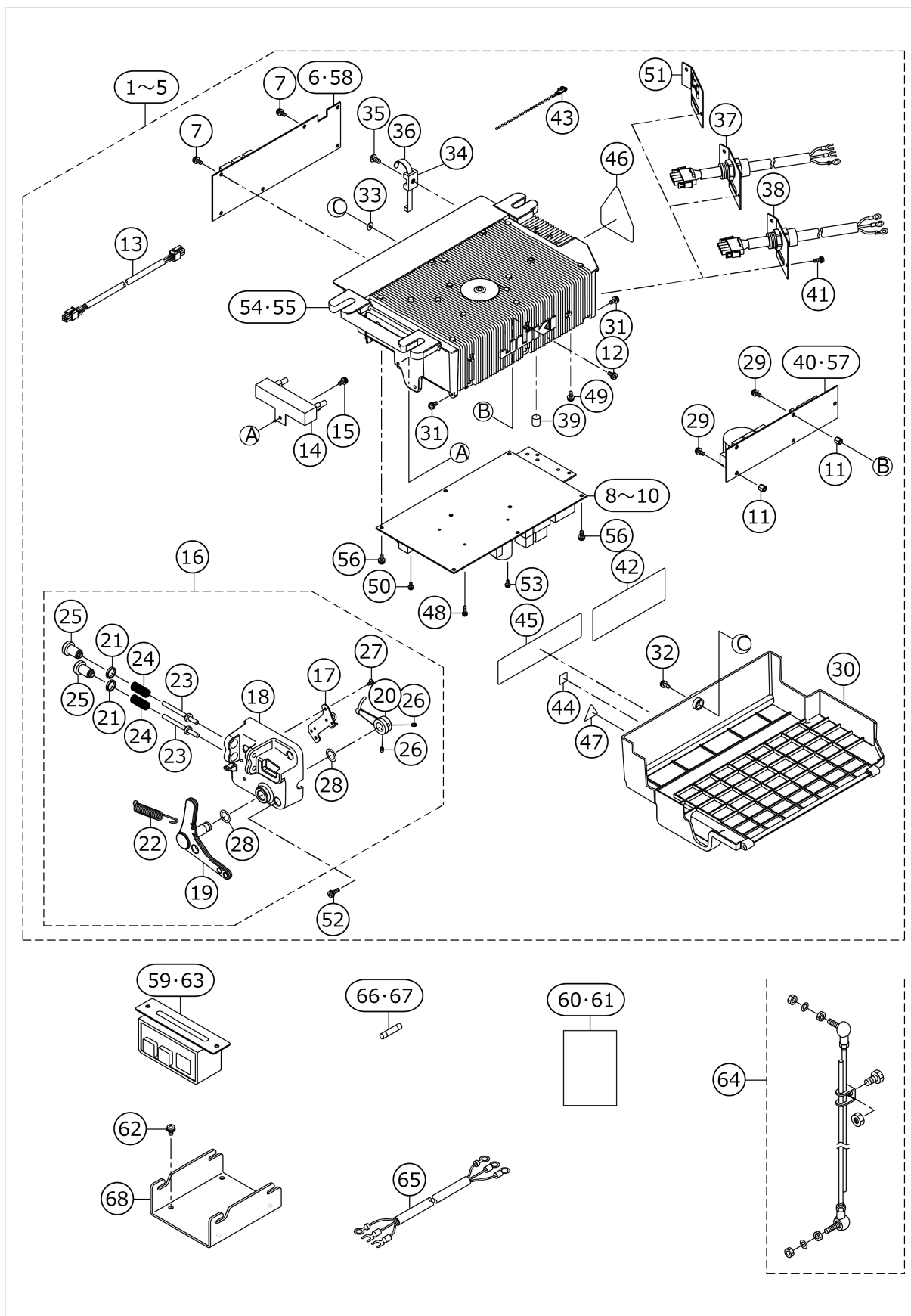


SC-922/M51N

SC-922 (M51 IS USED.)

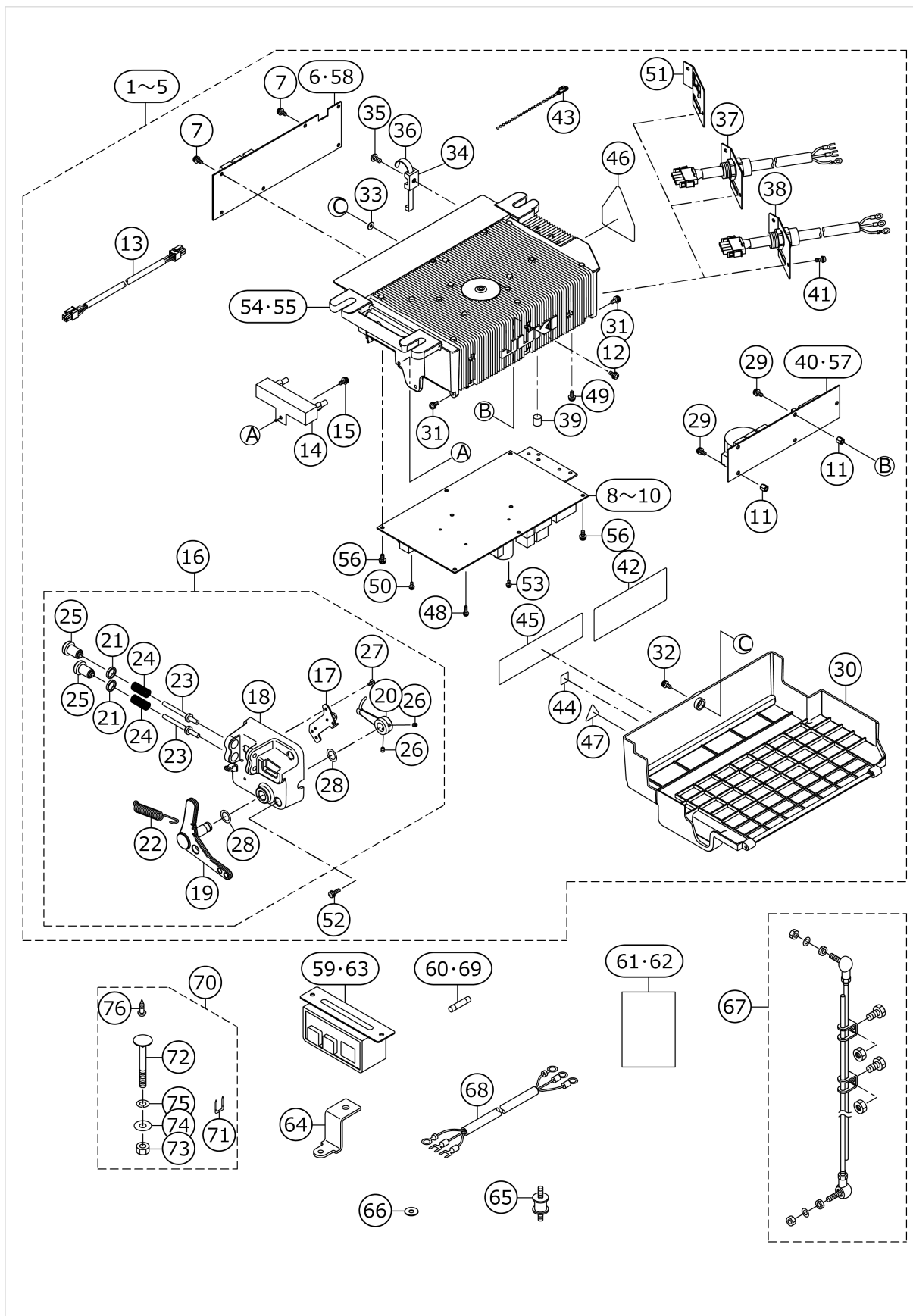


No.	品番	品名	備考	子部品	消耗品	個数
1	40101488	SC-922 1PHASE 220-240V CE PFL NO-OPT	FOR 1-PHASE 220 ~ 240V CE PF			1.00
2	40101489	SC-922 1PHASE 220-240V PFL NO-OPT	FOR 1-PHASE 220 ~ 240V PFL			1.00
3	40101490	SC-922 3PHASE 200-240V PFL NO-OPT	FOR 3-PHASE 200 ~ 240V PFL			1.00
4	40101491	SC-922 3PHASE 200-240V PFL NO-OPT JA	FOR 3-PHASE 200 ~ 240V PFL J			1.00
5	40101492	SC-922 1PHASE 100-120V PFL NO-OPT JA_LA	FOR 1-PHASE 100 ~ 120V PFL J A LA			1.00
6	40101476	CTL PCB ASSY		*		1.00
7	SL4041081SC	SCREW M4 L=10		*		6.00
8	40101485	PWR-CE PCB ASSY	FOR 1-PHASE 220 ~ 240V CE PF	*		1.00
9	40101479	PWR-S PCB ASSY	FOR 1-PHASE 220 ~ 240V PFL	*		1.00
10	40101482	PWR-T PCB ASSY	FOR 3-PHASE 200 ~ 240V PFL,3-PHASE 200 ~ 240V PFL JA,1-PHASE 100 ~ 120V PFL JA LA	*		1.00
11	40088311	STUD	FOR 1-PHASE 220 ~ 240V CE PFL,3-PHASE 200 ~ 240V PFL,3-PHASE 200 ~ 240V PFL JA,1-PHASE 100 ~ 120V PFL JA LA	*		5.00
12	SL4041081SC	SCREW M4 L=10	FOR 1-PHASE 220 ~ 240V CE PFL,3-PHASE 200 ~ 240V PFL,3-PHASE 200 ~ 240V PFL JA,1-PHASE 100 ~ 120V PFL JA LA	*		5.00
13	40087153	DC POWER SUPPLY CORD ASSY		*		1.00
14	40087154	RESISTANCE A ASSY		*		1.00
15	SL4041091SC	SCREW M4 L=10		*		1.00
16	40087155	PEDAL SENSOR A ASSY		*		1.00
17	40087159	SENSOR COIL HOLD A ASSY		*		1.00
18	40042130	PEDAL SENSOR BASE		*		1.00
19	40087156	PEDAL LEVER A		*		1.00
20	40042133	PEDAL LEVER B		*		1.00
21	40006202	ADJUST NUT		*		2.00
22	40006207	FRONT SPRING		*		1.00
23	40006208	SPRING SHAFT A		*		2.00

24	40049426	SPRING C		*		2.00
25	40006212	ADJUST SCREW		*		2.00
26	SM8040612TP	SCREW M4 L=6		*		2.00
27	SV4030601SR	SCREW M3 L=6		*		2.00
28	40088315	THRUST COLLAR		*		2.00
29	SL4040681SC	COMBINATION SCREW M4X8		*		5.00
30	40087167	UNDER COVER		*		1.00
31	40087157	HINGE SCREW		*		2.00
32	SL4041681SC	SCREW M4 L=16		*		1.00
33	M8002430000	STOPPER		*		1.00
34	KX000000210	SADDLE TYPE TIE MOUNT		*		1.00
35	SM4051001SC	SCREW M5 L=10		*		1.00
36	KX000000230	RELEASIBLE CABLE TIE		*		1.00
37	40088035	POWER SUPPLY PLATE ASSY CE	FOR 1-PHASE 22 0 ~ 240V CE PF	*		1.00
38	40089563	POWER SUPPLY PLATE ASSY LA	FOR 1-PHASE 10 0 ~ 120V PFL J A LA	*		1.00
39	40088316	RUBBER CUSHION		*		2.00
40	40087139	FLT-T PCB ASSY	FOR 3-PHASE 20 0 ~ 240V PFL,3 -PHASE 200 ~ 2 40V PFL JA,1-P HASE 100 ~ 120 V PFL JA LA	*		1.00
41	SL4041081SC	SCREW M4 L=10		*		2.00
42	CM300100402	VOLTAGE DANGER LABEL(SMALL)	FOR 3-PHASE 20 0 ~ 240V PFL,3 -PHASE 200 ~ 2 40V PFL JA,1-P HASE 100 ~ 120 V PFL JA LA	*		1.00
43	KX000000280	BEAD BAND		*		2.00
44	CM600100101	WEEE MARK LABEL S	FOR 1-PHASE 22 0 ~ 240V CE PF	*		1.00
45	CM300100302	VOLTAGE DANGER LABEL(SMALL)	FOR 1-PHASE 22 0 ~ 240V CE PF	*		1.00
46	CM300400602	VOLTAGE CAUTION LABEL L=25		*		1.00
47	CM300100003	VOLTAGE WARNING LABEL(25)	FOR 1-PHASE 22 0 ~ 240V PFL	*		1.00
48	SL4031081SC	SCREW M3 L=10		*		2.00
49	SL4040881SC	SCREW M4 L=8		*		3.00
50	SL4030881SC	SCREW M3 L=8		*		1.00
51	40087168	HOUSING PLATE A	FOR 1-PHASE 22 0 ~ 240V PFL,3 -PHASE 200 ~ 2 40V PFL,3-PHAS E 200 ~ 240V P	*		1.00
52	SL4041491SC	SCREW 4 L=14		*		3.00
53	SL4030881SC	SCREW M3 L=8	FOR 1-PHASE 22 0 ~ 240V PFL	*		1.00

54	40087166	FRAME B	FOR 1-PHASE 22 0 ~ 240V CE PF L,3-PHASE 200 240V PFL,3-P HASE 200 ~ 240 V PFL JA,1-PHA SE 100 ~ 120V PFL JA LA	*		1.00
55	40087165	FRAME A	FOR 1-PHASE 22 0 ~ 240V PFL	*		1.00
56	SL4041081SC	SCREW M4 L=10		*		10.00
57	40162977	FLT-CE PCB ASSY	FOR 1-PHASE 22 0 ~ 240V CE PF	*		1.00
58	40162974	CTL_PCB_ASSY_CE	FOR 1-PHASE 22 0 ~ 240V CE PF	*		1.00
59	40089414	AC POWER SUPPLY CORD D	FOR 3-PHASE 20 0 ~ 240V PFL J			1.00
60	40091952	EC DECLARATION (BOX)	FOR 1-PHASE 22 0 ~ 240V CE PF			1.00
61	CM600100201	WEEE INFORMATION SHEET	FOR 1-PHASE 22 0 ~ 240V CE PF			1.00
62	SL4051091SC	SCREW M5X0.8 L=10				4.00
63	40102693	AC POWER SUPPLY CORD C	FOR 1-PHASE 22 0 ~ 240V PFL			1.00
64	M4501471AA0	CONNECTING ROD A ASM.				1.00
65	M6102461DAA	AC INPUT CABLE ASM.(CE)	FOR 1-PHASE 22 0 ~ 240V CE PF			1.00
66	KF000000080	SLO-BLO FUSE				1.00
67	KF000000030	SLO-BLO FUSE				1.00
68	40099916	BOX HANGER				1.00

SC-922 (DIRECT MOTOR IS USED.)

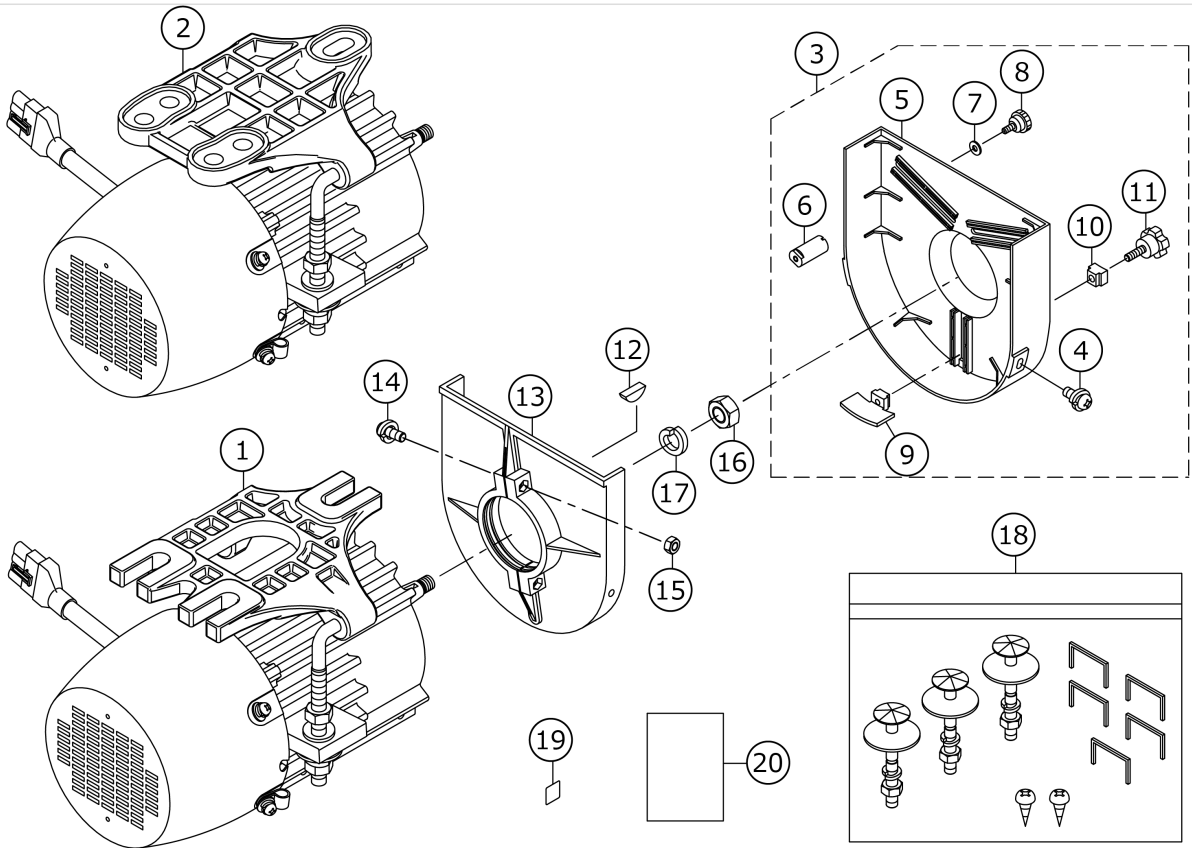


No.	品番	品名	備考	子部品	消耗品	個数
1	40126245	SC-922 DD 1P 220-240V CE PFL NO-OPT	FOR 1-PHASE 22 0 ~ 240V CE PF			1.00
2	40126246	SC-922 DD 1P 220-240V PFL NO-OPT	FOR 1-PHASE 22 0 ~ 240V PFL			1.00
3	40126247	SC-922 DD 3P 200-240V PFL NO-OPT	FOR 3-PHASE 20 0 ~ 240V PFL			1.00
4	40126248	SC-922 DD 3P 200-240V PFL NO-OPT JA	FOR 3-PHASE 20 0 ~ 240V PFL J			1.00
5	40126249	SC-922 DD 1P 100-120V PFL NO-OPT JA_LA	FOR 1-PHASE 10 0 ~ 120V PFL J A_LA			1.00
6	40101476	CTL PCB ASSY		*		1.00
7	SL4041081SC	SCREW M4 L=10		*		6.00
8	40101485	PWR-CE PCB ASSY	FOR 1-PHASE 22 0 ~ 240V CE PF	*		1.00
9	40101479	PWR-S PCB ASSY	FOR 1-PHASE 22 0 ~ 240V PFL	*		1.00
10	40101482	PWR-T PCB ASSY	FOR 3-PHASE 20 0 ~ 240V PFL,3 -PHASE 200 ~ 2 40V PFL JA,1-P HASE 100 ~ 120 V PFL JA_LA	*		1.00
11	40088311	STUD	FOR 1-PHASE 22 0 ~ 240V CE PF L,3-PHASE 200 240V PFL,3-P HASE 200 ~ 240 V PFL JA,1-PHA SE 100 ~ 120V PFL JA_LA	*		5.00
12	SL4041081SC	SCREW M4 L=10	FOR 1-PHASE 22 0 ~ 240V CE PF L,3-PHASE 200 240V PFL,3-P HASE 200 ~ 240 V PFL JA,1-PHA SE 100 ~ 120V PFL JA_LA	*		5.00
13	40087153	DC POWER SUPPLY CORD ASSY		*		1.00
14	40087154	RESISTANCE A ASSY		*		1.00
15	SL4041091SC	SCREW M4 L=10		*		1.00
16	40087155	PEDAL SENSOR A ASSY		*		1.00
17	40087159	SENSOR COIL HOLD A ASSY		*		1.00
18	40042130	PEDAL SENSOR BASE		*		1.00
19	40087156	PEDAL LEVER A		*		1.00
20	40042133	PEDAL LEVER B		*		1.00
21	40006202	ADJUST NUT		*		2.00
22	40006207	FRONT SPRING		*		1.00
23	40006208	SPRING SHAFT A		*		2.00

24	40049426	SPRING C		*		2.00
25	40006212	ADJUST SCREW		*		2.00
26	SM8040612TP	SCREW M4 L=6		*		2.00
27	SV4030601SR	SCREW M3 L=6		*		2.00
28	40088315	THRUST COLLAR		*		2.00
29	SL4040681SC	COMBINATION SCREW M4X8		*		5.00
30	40087167	UNDER COVER		*		1.00
31	40087157	HINGE SCREW		*		2.00
32	SL4041681SC	SCREW M4 L=16		*		1.00
33	M8002430000	STOPPER		*		1.00
34	KX000000210	SADDLE TYPE TIE MOUNT		*		1.00
35	SM4051001SC	SCREW M5 L=10		*		1.00
36	KX000000230	RELEASIBLE CABLE TIE		*		1.00
37	40088035	POWER SUPPLY PLATE ASSY CE	FOR 1-PHASE 22 0 ~ 240V CE PF	*		1.00
38	40089563	POWER SUPPLY PLATE ASSY LA	FOR 1-PHASE 10 0 ~ 120V PFL J A_LA	*		1.00
39	40088316	RUBBER CUSHION		*		2.00
40	40087139	FLT-T PCB ASSY	FOR 3-PHASE 20 0 ~ 240V PFL,3 -PHASE 200 ~ 2 40V PFL JA,1-P HASE 100 ~ 120 V PFL JA_LA	*		1.00
41	SL4041081SC	SCREW M4 L=10		*		2.00
42	CM300100402	VOLTAGE DANGER LABEL(SMALL)	FOR 3-PHASE 20 0 ~ 240V PFL,3 -PHASE 200 ~ 2 40V PFL JA,1-P HASE 100 ~ 120 V PFL JA_LA	*		1.00
43	KX000000280	BEAD BAND		*		2.00
44	CM600100101	WEEE MARK LABEL S	FOR 1-PHASE 22 0 ~ 240V CE PF	*		1.00
45	CM300100302	VOLTAGE DANGER LABEL(SMALL)	FOR 1-PHASE 22 0 ~ 240V CE PF	*		1.00
46	CM300400602	VOLTAGE CAUTION LABEL L=25		*		1.00
47	CM300100003	VOLTAGE WARNING LABEL(25)	FOR 1-PHASE 22 0 ~ 240V PFL	*		1.00
48	SL4031081SC	SCREW M3 L=10		*		2.00
49	SL4040881SC	SCREW M4 L=8		*		3.00
50	SL4030881SC	SCREW M3 L=8		*		1.00
51	40087168	HOUSING PLATE A	FOR 1-PHASE 22 0 ~ 240V PFL,3 -PHASE 200 ~ 2 40V PFL,3-PHAS E 200 ~ 240V P	*		1.00
52	SL4041491SC	SCREW 4 L=14		*		3.00
53	SL4030881SC	SCREW M3 L=8	FOR 1-PHASE 22 0 ~ 240V PFL	*		1.00

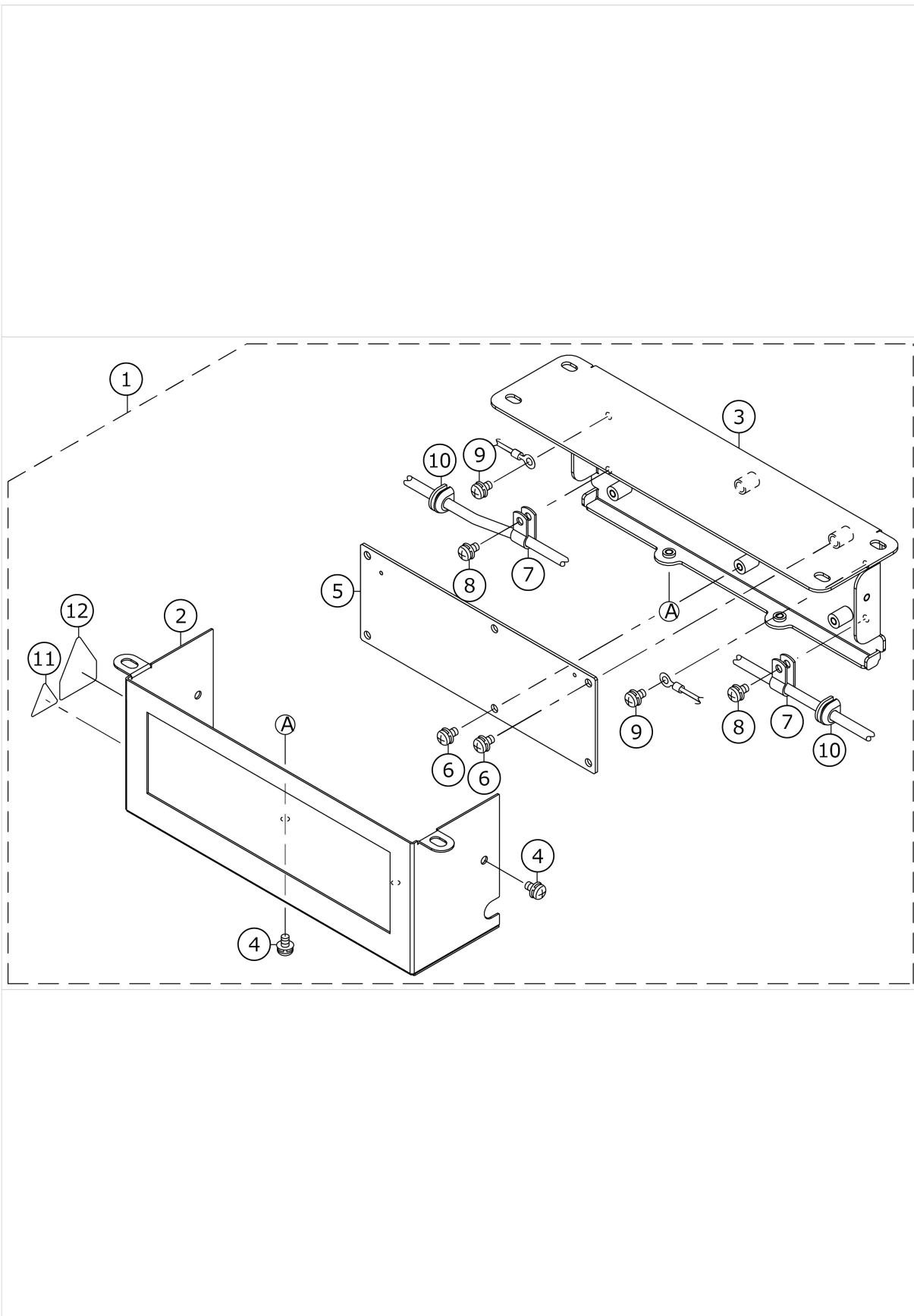
54	40087166	FRAME B	FOR 1-PHASE 22 0 ~ 240V CE PF L,3-PHASE 200 240V PFL,3-P HASE 200 ~ 240 V PFL JA,1-PHA SE 100 ~ 120V PFL JA_LA	*		1.00
55	40087165	FRAME A	FOR 1-PHASE 22 0 ~ 240V PFL	*		1.00
56	SL4041081SC	SCREW M4 L=10		*		10.00
57	40162977	FLT-CE PCB ASSY	FOR 1-PHASE 22 0 ~ 240V CE PF	*		1.00
58	40162974	CTL_PCB_ASSY_CE	FOR 1-PHASE 22 0 ~ 240V CE PF	*		1.00
59	40102979	AC POWER SUPPLY CORD F	FOR 3-PHASE 20 0 ~ 240V PFL J			1.00
60	KF000000030	SLO-BLO FUSE				1.00
61	40117054	EC DECLARATION (BOX)	FOR 1-PHASE 22 0 ~ 240V CE PF			1.00
62	CM600100201	WEEE INFORMATION SHEET	FOR 1-PHASE 22 0 ~ 240V CE PF			1.00
63	40102693	AC POWER SUPPLY CORD C	FOR 1-PHASE 22 0 ~ 240V PFL			1.00
64	40074444	CONTROL BOX BRACKET				3.00
65	40084716	RUBBER MOUNTING				3.00
66	WP0621036SP	WASHER				3.00
67	40088314	CONNECING ROD ASSY				1.00
68	M6102461DAA	AC INPUT CABLE ASM.(CE)	FOR 1-PHASE 22 0 ~ 240V CE PF			1.00
69	KF000000080	SLO-BLO FUSE				1.00
70	M4401471AA0	BOX ACCESSORIE PART A ASM.				1.00
71	MAO11532000	CORD STAPLE		*		5.00
72	MTSHJ100003	BOLT		*		3.00
73	NM6080002SC	NUT M8		*		3.00
74	WP0851846SC	WASHER 8.5X22.0X1.8		*		3.00
75	WS0820002KR	SPRING WASHER M8		*		3.00
76	SK3512001SE	WOOD SCREW D=5.1 L=20		*		2.00

M51N



No.	品番	品名	備考	子部品	消耗品	個数
1	40102020	M51N MOTOR UNIT B	EXCEPT CE			1.00
2	40102021	M51N MOTOR UNIT C	FOR CE			1.00
3	40018509	M50 MOTOR BELT COVER ASSY				1.00
4	40018574	SCREW		*		2.00
5	40018514	PULLEY COVER A		*		1.00
6	40018568	SUPPORTING ROD		*		1.00
7	40018569	WASHER		*		1.00
8	40018570	SCREW		*		1.00
9	40018571	DROPPING PLATE		*		1.00
10	40018572	DROPPING PAD		*		1.00
11	40018573	SCREW		*		1.00
12	40018578	KEY				1.00
13	40018567	PULLEY COVER B				1.00
14	40018575	SCREW				2.00
15	40018576	NUT				2.00
16	40018580	NUT				1.00
17	40018579	WASHER				1.00
18	40018582	MOUNTING BOLT ASM.				1.00
19	CM600100101	WEEE MARK LABEL S	FOR CE			1.00
20	CM600100201	WEEE INFORMATION SHEET	FOR CE			1.00

REACTOR BOX 1P (FOR CE)



No.	品番	品名	備考	子部品	消耗品	個数
1	40161412	REACTOR_BOX_ASSY_1P				1.00
2	40161413	REACTOR_BOX_COVER_A_ASSY		*		1.00
3	40161414	REACTOR BOX BASE		*		1.00
4	SL4040881SC	SCREW M4 L=8		*		4.00
5	40161421	REACTOR PCB ASSY 1P		*		1.00
6	SL4040881SC	SCREW M4 L=8		*		6.00
7	HX00150000B	CABLE CLAMP		*		2.00
8	SL4040881SC	SCREW M4 L=8		*		2.00
9	SL4040881SC	SCREW M4 L=8		*		2.00
10	M1013110000	CORD BUSH A		*		2.00
11	CM300100003	VOLTAGE WARNING LABEL (25)		*		1.00
12	CM300400602	VOLTAGE CAUTION LABEL L=25		*		1.00

HOW TO MAKE USE OF THIS PARTS LIST

1.As to "#01" and "#02" refer to the "Note" given at the bottom of the respective pages.

2.Codes on the "Qty" column

- Each numeral indicates the number of parts required.
- "0.1" and "2.5" indicate the length (in meters) of the respective parts.

3.Parentheses mean that the corresponding part is a subpart that constructs an assembly part.

4.Dotted lines on the Figures indicate assembly parts.

1. リストページの# 0 1、# 0 2の印は、ページ下の“注記”の説明を参照下さい。

2. 数量欄の数字は、個数を表し、0. 1、2. 5等の数値は、長さ（単位メートル）を表します。

3. 数量欄の（ ）は、組部品を構成している子部品であることを意味します。

4. イラストページの-----枠は、組構成であることを意味します。