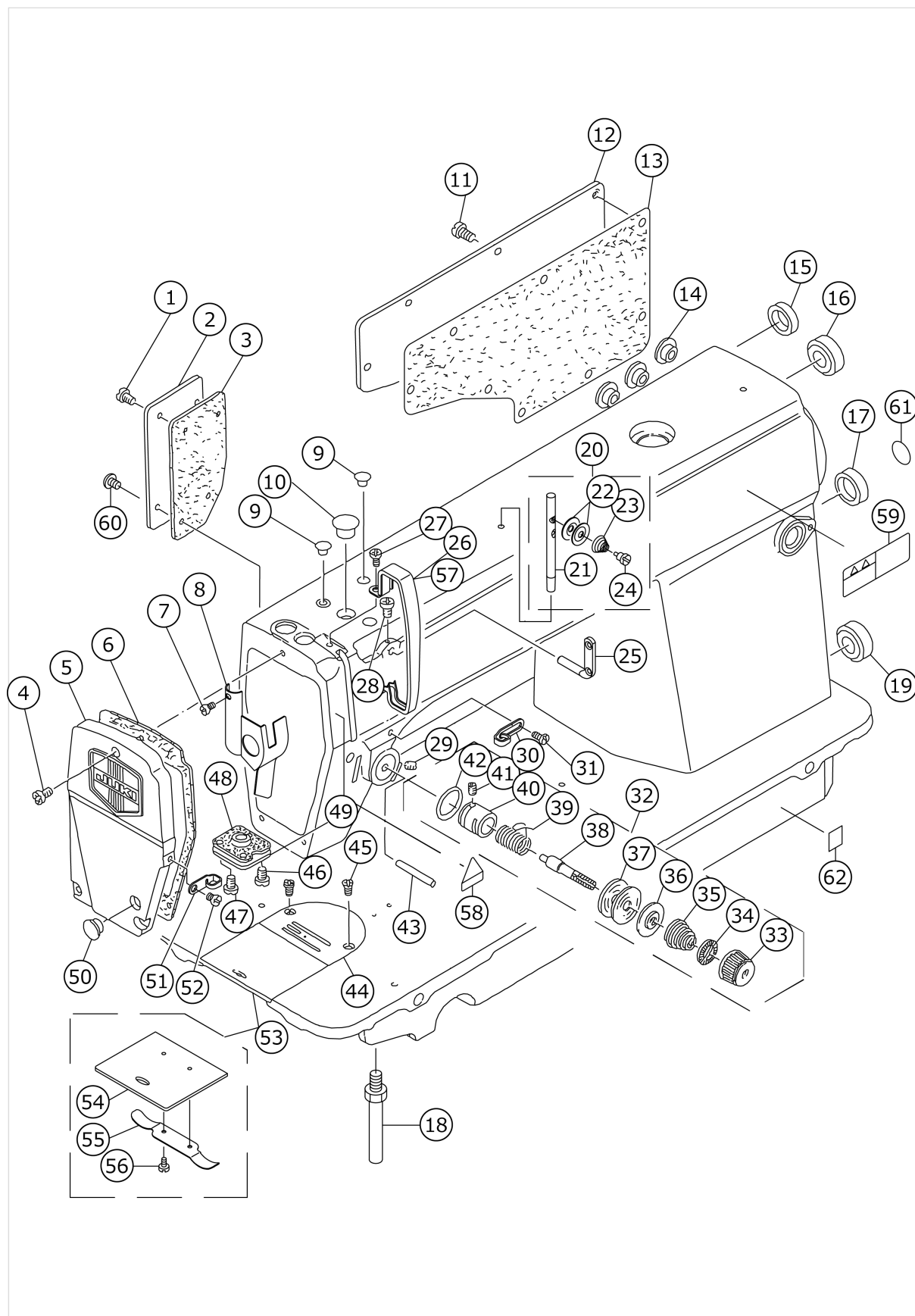


DLU-5490N SERIES

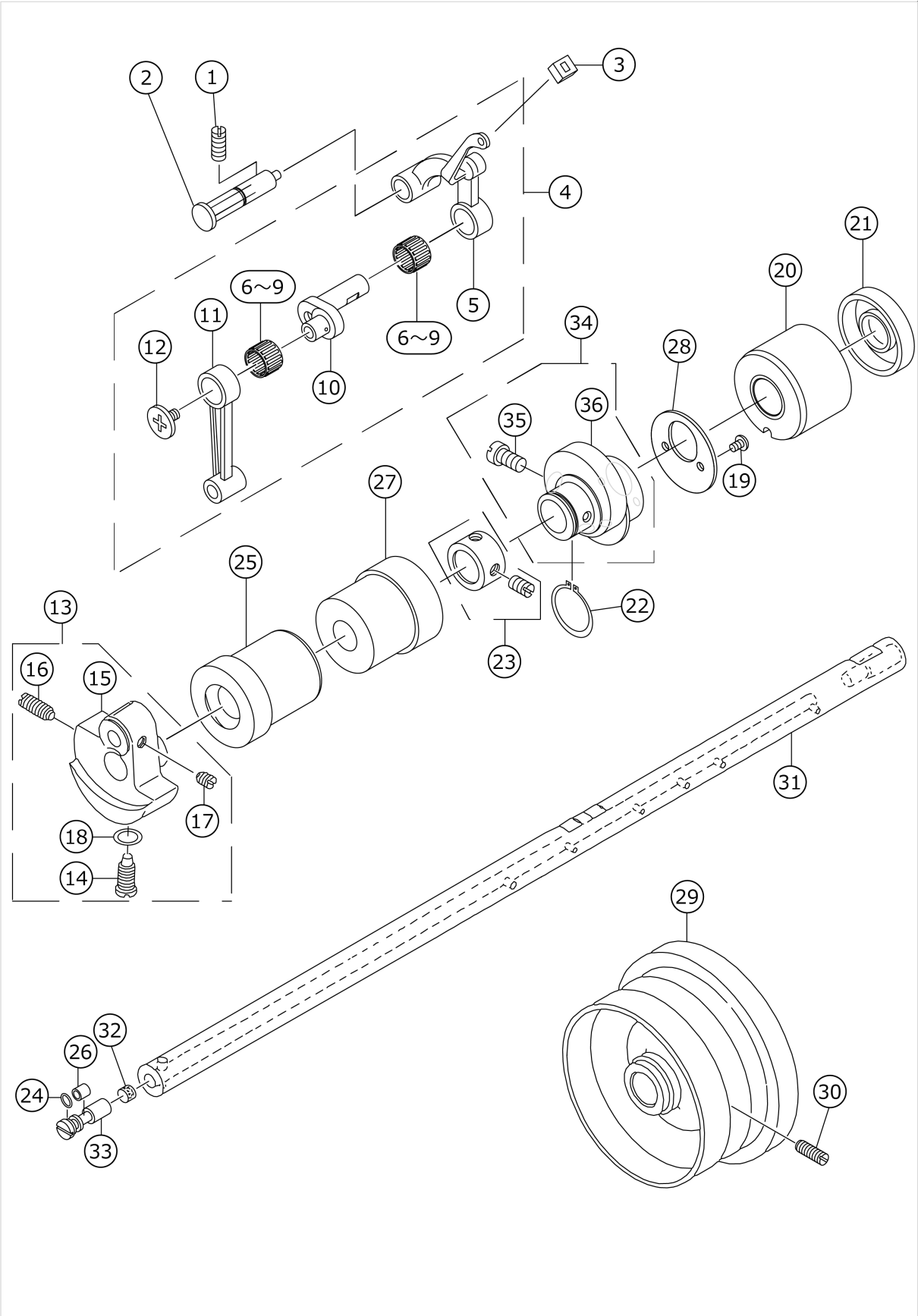
MACHINE FRAME & MISCELLANEOUS COVER COMPONENTS



No.	品番	品名	備考	子部品	消耗品	個数
1	SS4120915SP	SCREW 3/16-28 L=9				3.00
2	11255809	SIDE COVER				1.00
3	11200607	GASKET				1.00
4	SS4121015SP	SCREW 3/16-28 L=10				3.00
5	11255650	FACE PLATE ASM.				1.00
6	11200201	GASKET				1.00
7	SS6080410SP	SCREW 1/8-44 L=4				1.00
8	22900757	FACE PLATE OIL SHIELD ASM.				1.00
9	TA0850604R0	RUBBER PLUG				2.00
10	TA1250705R0	RUBBER PLUG				1.00
11	SS4120915SP	SCREW 3/16-28 L=9				8.00
12	22900401	WINDOW PLATE				1.00
13	11003308	GASKET				1.00
14	TA1470704R0	RUBBER PLUG				3.00
15	TA1470702R0	RUBBER PLUG				1.00
16	TA2101002R0	RUBBER PLUG				1.00
17	TA2000502R0	RUBBER PLUG				1.00
18	22901003	BED SCREW STUD				4.00
19	TA2101002R0	RUBBER PLUG				1.00
20	22932552	NEEDLE THREAD GUIDE PIN ASM.				1.00
21	22932503	THREAD GUIDE ROD		*		1.00
22	22932602	THREAD GUIDE DISK		*		2.00
23	22932701	THREAD GUIDE DISK SPRING		*		1.00
24	SD0380552SL	HINGE SCREW D=3.8 H=5.5		*		1.00
25	22920706	TWO EYELET				1.00
26	22900609	THREAD TAKE-UP LEVER COVER				1.00
27	SS4120615SP	SCREW 3/16-28 L=6				1.00
28	SS4120615SP	SCREW 3/16-28 L=6				1.00
29	SS8150710TP	SCREW 15/64-28 L=7				1.00
30	22920508	ARM THREAD GUIDE A				1.00
31	22921001	SCREW				1.00
32	11257359	THREAD TENSION ASM.				1.00
33	22921308	THREAD TENSION NUT		*		1.00
34	22921407	ROTATION STOPPER		*		1.00
35	22921704	THREAD TENSION SPRING A		*		1.00
36	22921803	DISK STOPPER		*		1.00
37	22921506	THREAD TENSION DISK		*		2.00
38	22921209	THREAD TENSION POST		*		1.00
39	22921605	THREAD TAKE-UP SPRING		*		1.00
40	11220209	TENSION POST SOCKET		*		1.00
41	SS8090410SP	SCREW 9/64-40 L= 3.5		*		1.00
42	RO133170100	RUBBER RING		*		1.00
43	B3118552C00	TENSION RELEASE PIN C				1.00
44	B1109450B0B	THROAT PLATE B				1.00
45	SS2110915SP	SCREW 11/64-40 L=8.5				2.00
46	11200805	PRESSER BAR SUPPORT SCREW B				1.00
47	SS1120710SP	SCREW 3/16-28 L=6.5				2.00
48	11200409	GASKET				1.00
49	11200300	PRESSER BAR SUPPORT				1.00
50	TA1250406R0	RUBBER PLUG D=12.5 L=4				1.00

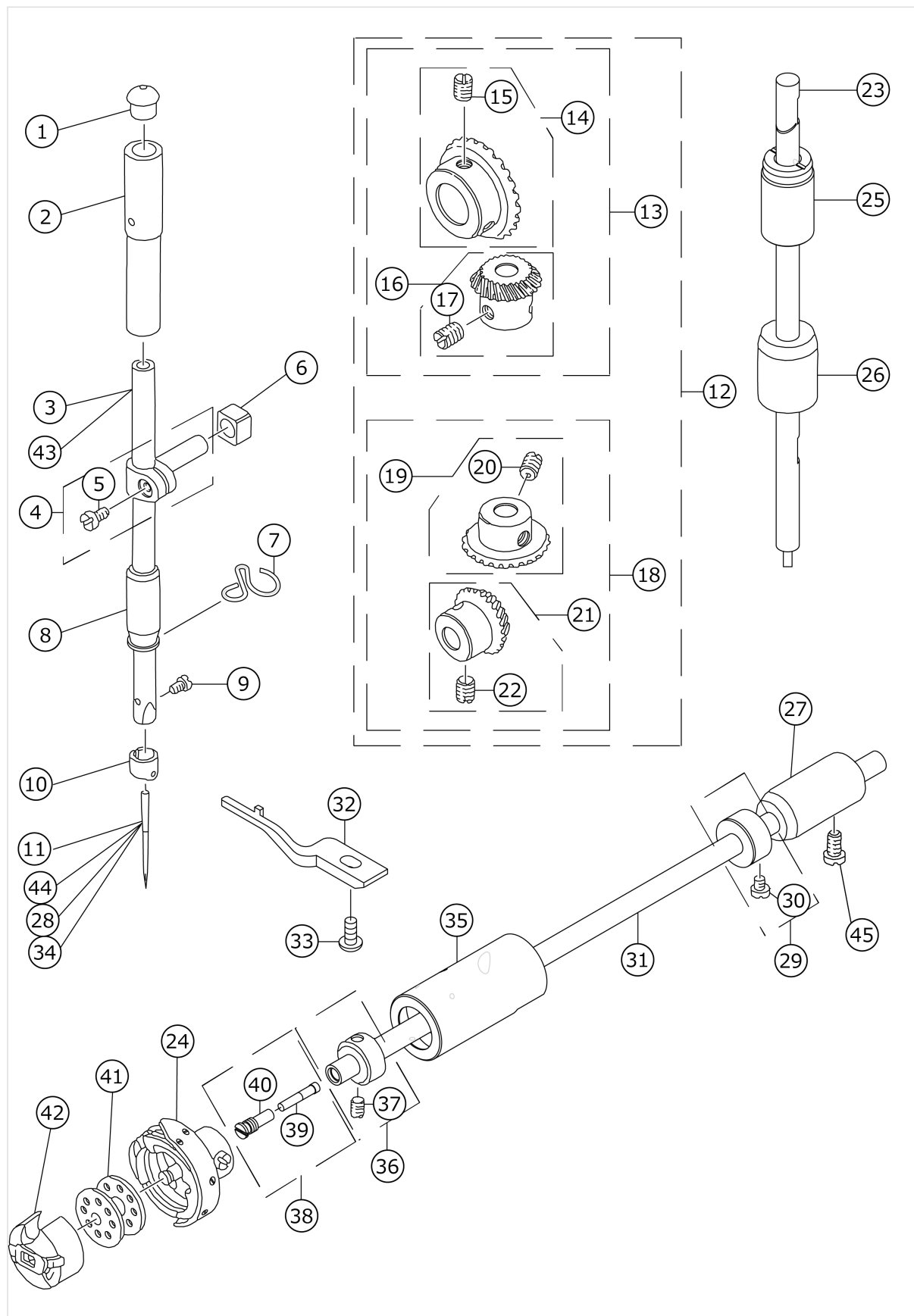
51	22920607	ARM THREAD GUIDE B				1.00
52	SS6110610TP	SCREW 11/64-40 L=6				1.00
53	22901250	SLIDE PLATE ASM.				1.00
54	22901201	SLIDE PLATE		*		1.00
55	22901300	SLIDE PLATE SPRING		*		1.00
56	SS6060210SP	SCREW 3/32-56 L= 1.9		*		2.00
57	11415205	THREAD TAKE-UP LEVER COVER(JE)	FOR JE			1.00
58	CM300200001	ATTENTION SEAL				1.00
59	CM301300001	SAFETY LABEL				1.00
60	SS4120615SP	SCREW 3/16-28 L=6				1.00
61	10004109	GROUND MARK				1.00
62	40116677	GOST_SAFTY_LABEL_S	FOR JE			1.00

MAIN SHAFT & THREAD TAKE-UP LEVER COMPONENTS



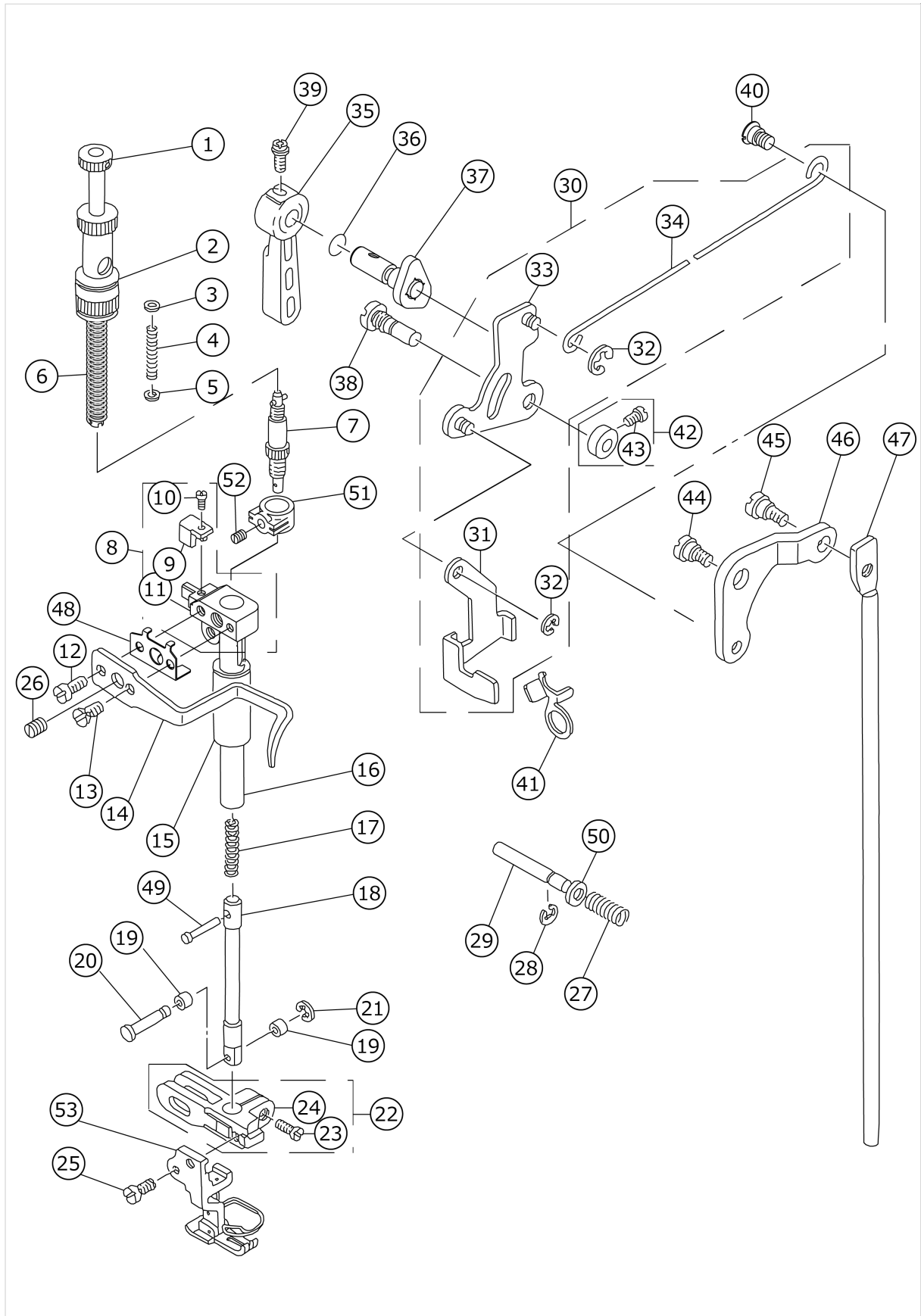
No.	品番	品名	備考	子部品	消耗品	個数
1	SS8151150TP	SCREW 15/64-28 L=10.5				1.00
2	11017357	THREAD TAKE-UP CRANK SHAFT ASM.				1.00
3	22919203	OIL PROTECTING RUBBER				1.00
4	22918072	THREAD TAKE-UP LEVER COMPL.				1.00
5	22918064	THREAD TAKE-UP LEVER ASM.		*		1.00
6	22918403	NEEDLE BEARING A	SELECTIVE PART	*		2.00
7	22918502	NEEDLE BEARING B	SELECTIVE PART	*		2.00
8	22918601	NEEDLE BEARING C	SELECTIVE PART	*		2.00
9	22918700	NEEDLE BEARING D	SELECTIVE PART	*		2.00
10	22918106	NEEDLE BAR CRANK		*		1.00
11	22906606	NEEDLE BAR CRANK ROD		*		1.00
12	22918304	LEFT SCREW		*		1.00
13	40095789	COUNTER WEIGHT_LU ASM.				1.00
14	SS7681650TP	SCREW 9/32-28 L=16		*		1.00
15	11202173	COUNTERWEIGHT ASM.		*		1.00
16	SS8681650TP	SCREW 9/32-28 L=16		*		1.00
17	SS8660610TP	SCREW 1/4-40 L=6		*		2.00
18	RO044240100	RUBBER RING		*		1.00
19	SS4090615SP	SCREW 9/64-40 L=6				2.00
20	11002409	MAIN SHAFT BUSHING REAR				1.00
21	40105231	OIL SEAL				1.00
22	RC1850001KP	SNAP RING 18.5				1.00
23	22904155	MAIN SHAFT THRUST COLLAR ASM.				1.00
24	RO029180100	RUBBER RING				1.00
25	11202207	MAIN SHAFT BUSHING FRONT				1.00
26	B1215552000	OIL ADJUSTING COLLAR				1.00
27	11202306	BUSHING INTERMEDIATE				1.00
28	22910103	THRUST COLLAR				1.00
29	11071305	HAND WHEEL				1.00
30	SS8151550SP	SCREW 15/64-28 L=15				2.00
31	11202009	MAIN SHAFT				1.00
32	B1226552000	ROLLER FELT				1.00
33	B1213552000A	OIL ADJUSTING PIN				1.00
34	22910053	FEED DRIVE ECCENTRIC CAM ASM.				1.00
35	SS6661110SP	SCREW 1/4-40 L=11		*		2.00
36	22910004	FEED DRIVE ECCENTRIC CAM		*		1.00

NEEDLE BAR, UPRIGHT SHAFT & HOOK DRIVING SHAFT COMPONENTS



No.	品番	品名	備考	子部品	消耗品	個数
1	22901409	NEEDLE BAR UPPER BUSH CAP				1.00
2	22906101	NEEDLE BAR BUSHING UPPER				1.00
3	11035003	NEEDLE BAR				1.00
4	22906457	NEEDLE BAR HOLDER ASM.				1.00
5	SS6090670TP	SCREW 9/64-40 L=6		*		1.00
6	40090058	SLIDE BLOCK				1.00
7	22920805	NEEDLE BAR THREAD GUIDE				1.00
8	22906200	NEEDLE BAR BUSHING LOWER				1.00
9	SS7080510TP	SCREW 1/8-44 L=4.5				1.00
10	11226016	NEEDLE BAR THREAD GUIDE				1.00
11	MDB100B1400	NEEDLE DBX1 #14				1.00
12	B13061550C0	GEAR & PINION ASM.				1.00
13	B13061550B0	GEAR & PINION ASM. UPPER		*		1.00
14	B13050120A0	GEAR ASM.		*		1.00
15	SS8660810TP	SCREW 1/4-40 L=8		*		2.00
16	B13061550A0	PINION ASM.		*		1.00
17	SS8660810TP	SCREW 1/4-40 L=8		*		2.00
18	B13071550B0	GEAR & PINION ASM. LOWER		*		1.00
19	B13071550A0	GEAR ASM. LARGE		*		1.00
20	SS8660810TP	SCREW 1/4-40 L=8		*		2.00
21	B13081550A0	PINION ASM.		*		1.00
22	SS8660810TP	SCREW 1/4-40 L=8		*		2.00
23	22905004	UPRIGHT SHAFT				1.00
24	B18301270A0	HOOK ASM.				1.00
25	11203106	BUSHING UPPER				1.00
26	11004207	UPRIGHT SHAFT BUSHING LOWER				1.00
27	22916308	HOOK DRIVING SHAFT BUSH REAR				1.00
28	MC200500750	NEEDLE 134 NM75	FOR JE			1.00
29	CS079101ASH	THRUST COLLAR ASM. D=7.94 W=10				1.00
30	SS6110420TP	SCREW 11/64-40 L=4.8		*		2.00
31	22916001	HOOK DRIVING SHAFT				1.00
32	22916407	BOBBIN CASE POSITIONING FINGER				1.00
33	SS4110915TP	SCREW 11/64-40 L=9				1.00
34	MDP500B1400	NEEDLE DPX5 #14	FOR JO			1.00
35	22916100	HOOK DRIVING SHAFT BUSH FRONT				1.00
36	CS079073ASH	THRUST COLLAR ASM.				1.00
37	SS8110410TP	SCREW 11/64-40 L= 3.5		*		2.00
38	22916555	OIL SEAL SCREW ASM.				1.00
39	22916605	OIL WICK		*		1.00
40	22916506	SET SCREW		*		1.00
41	22932909	BOBBIN				1.00
42	B18370120A0	BOBBIN CASE ASM.				1.00
43	11141207	NEEDLE BAR	FOR JE,JO			1.00
44	MDB100B1100	NEEDLE DBX1 #11	FOR USE IN JAPAN			1.00
45	SS4120915SP	SCREW 3/16-28 L=9				1.00

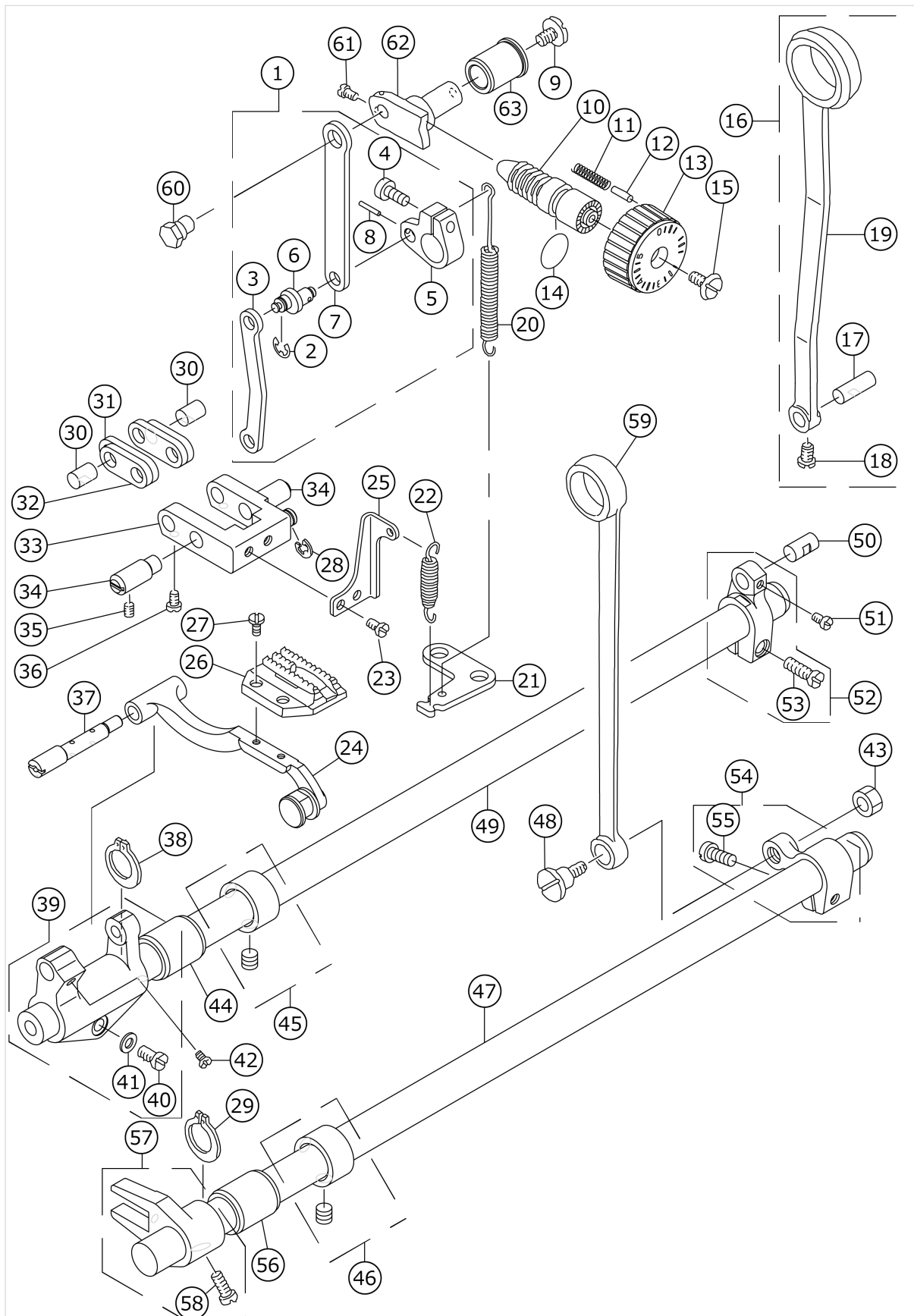
HAND LIFTER COMPONENTS



No.	品番	品名	備考	子部品	消耗品	個数
1	11204559	PRESSER SPRING REGULATOR ASM.				1.00
2	11204609	NUT				1.00
3	WP0650816SP	WASHER				1.00
4	11205002	GUIDE BAR SPRING				1.00
5	WP0661016SP	WASHER				1.00
6	22907406	PRESSER SPRING				1.00
7	11217353	CAP ASM.				1.00
8	11204161	PRESSER ROD HOLDER ASM.				1.00
9	11204211	BRACKET GUIDE		*		1.00
10	SS4080620TP	SCREW 1/8-44 L=6		*		1.00
11	11204112	PRESSER BAR GUIDE BRACKET		*		1.00
12	SS7110910TP	SCREW 11/64-40 L= 8.5				1.00
13	SS6090910SP	SCREW 9/64-40 L=9				1.00
14	22907307	THREAD GUIDE				1.00
15	11204401	BUSHING				1.00
16	11204013	PRESSER BAR				1.00
17	11217601	WALKING FOOT SPRING				1.00
18	11217015	DRIVING BAR				1.00
19	11217213	ROLLER				2.00
20	11217114	ROLLER SHAFT				1.00
21	RC0260415KP	SNAP RING				1.00
22	11215258	PRESSER BAR BASE ASM.				1.00
23	SS6121220TP	SCREW 3/16-28 L=11.5		*		1.00
24	11215209	PRESSER BAR BASE		*		1.00
25	SS6121220TP	SCREW 3/16-28 L=11.5				1.00
26	SS8660610TP	SCREW 1/4-40 L=6				1.00
27	22920409	THREAD RELEASE PIN SPRING				1.00
28	RE0400000K0	E-RING 4				1.00
29	11220001	PIN				1.00
30	11205150	LIFTING PLATE				1.00
31	11205101	LIFTING LEVER		*		1.00
32	RE0500000K0	E-RING		*		2.00
33	22908156	LIFTING LINK ASM.		*		1.00
34	22908305	KNEE LIFTER SIDE ROD		*		1.00
35	22907802	HAND LIFTER				1.00
36	RO037180100	RUBBER RING				1.00
37	22908552	HAND LIFTER CAM ASM.				1.00
38	11205218	LIFTING LEVER LINK SHAFT				1.00
39	B1521555000	SCREW				1.00
40	22908909	HINGE SCREW				1.00
41	11220100	TENSION RELEASE PLATE				1.00
42	CS064061ASP	THRUST COLLAR ASM.				1.00
43	SS7090620TP	SCREW 9/64-40 L=6.1		*		1.00
44	SD0720331SP	HINGE SCREW D= 7.24 H= 3.3				1.00
45	SD0600322SD	HINGE SCREW D=6 H=3.2				1.00
46	11205309	LIFTING LEVER LINK				1.00
47	11205408	CONNECTING ROD				1.00
48	11204302	BRACKET PLATE				1.00
49	11216918	DRIVING BAR PIN				1.00
50	11220308	THRUST WASHER				1.00

51	11205507	PRESSER ROD STOPPER				1.00
52	SS8110422TP	SCREW 11/64-40 L=4				1.00
53	B1524491BB0	PRESSER FOOT ASM. B				1.00

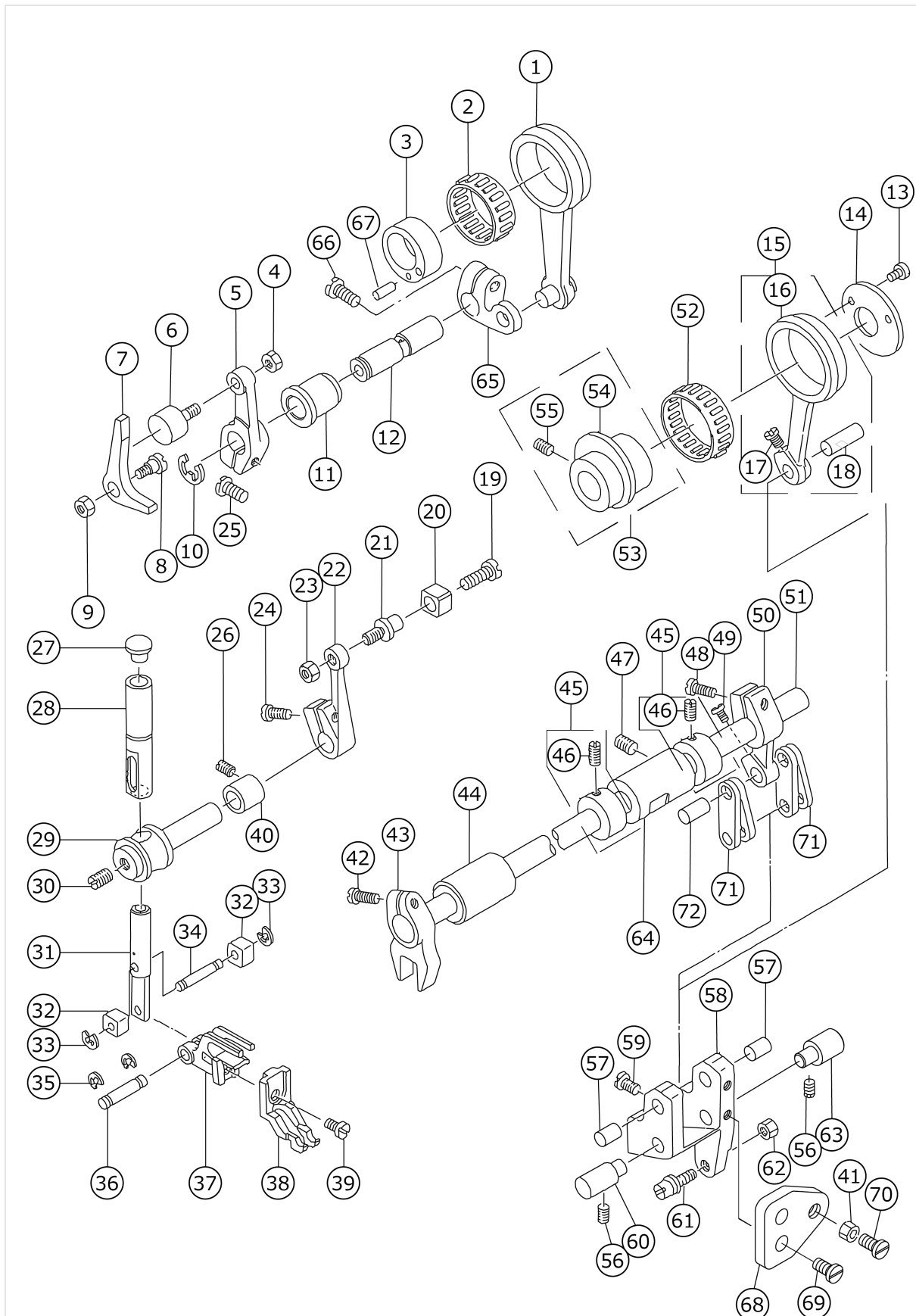
FEED MECHANISM COMPONENTS



No.	品番	品名	備考	子部品	消耗品	個数
1	11206463	FEED CHANGING ARM ASM.				1.00
2	RE0500000K0	E-RING		*		1.00
3	11206208	CONNECTING ROD B		*		1.00
4	SS6121220TP	SCREW 3/16-28 L=11.5		*		1.00
5	11206505	FEED DRIVING LINK		*		1.00
6	11206604	FEED DRIVING LINK PIN		*		1.00
7	11206109	CONNECTING ROD A		*		1.00
8	11207107	DRIVING LINK STOPPER PIN		*		1.00
9	SS7120770SH	SCREW 3/16-28 L=7				1.00
10	22911804	FEED REGULATOR SCREW				1.00
11	22912109	FEED REGULATOR PIN SPRING				1.00
12	22912000	FEED REGULATOR PIN				1.00
13	22911903	FEED DIAL				1.00
14	RO092270200	RUBBER RING				1.00
15	SS6121860SP	SCREW 3/16-28 L=18				1.00
16	40080424	CONNECTING ROD ASM.				1.00
17	22911101	WALKING FOOT PIN C		*		1.00
18	SS6090620TP	SCREW		*		1.00
19	11206000	CONNECTING ROD		*		1.00
20	11010311	FEED REVERSE SPRING				1.00
21	22913701	FEED SPRING HOOK				1.00
22	11037405	SPRING				1.00
23	SS7110510SP	SCREW 11/64-40 L=5				2.00
24	22971857	FEED BASE ASM.				1.00
25	40071856	ADJUSTING LINK SPRING GUIDE				1.00
26	B1613450A00	FEED DOG A				1.00
27	SS4080620TP	SCREW 1/8-44 L=6				2.00
28	RE0500000K0	E-RING				1.00
29	RC0150001KP	RETAINING RING 13.8				1.00
30	22910905	WALKING FOOT PIN A				2.00
31	40089548	CONNECTING LINK B				2.00
32	40093417	CONNECTING LINK A				2.00
33	22910459	FEED ADJUSTING LINK ASM.				1.00
34	22910806	ADJUST LINK FULCRUM SHAFT A				2.00
35	SS8150710TP	SCREW 15/64-28 L=7				2.00
36	SS6090620TP	SCREW				2.00
37	22940803	FEED BAR SHAFT				1.00
38	RC0150001KP	RETAINING RING 13.8				1.00
39	22940654	FEED ROCKER ASM.				1.00
40	SS7121410TP	SCREW 3/16-28 L=14		*		1.00
41	WP0480856SP	WASHER 4.8X8.4X0.8		*		1.00
42	SS7110740TP	SCREW 11/64-40 L=7				1.00
43	NS6680410SP	NUT 9/32-28				1.00
44	22913008	FEED ROCKER SHAFT BUSHING				1.00
45	22904155	MAIN SHAFT THRUST COLLAR ASM.				1.00
46	22904155	MAIN SHAFT THRUST COLLAR ASM.				1.00
47	22915201	FEED DRIVING SHAFT				1.00
48	SD1000801SH	HINGE SCREW D=10 H=8				1.00
49	22912901	FEED ROCKER SHAFT				1.00
50	22911002	WALKING FOOT PIN B				1.00

51	SS6090620TP	SCREW				1.00
52	22910350	FEED ROCKER SHAFT CRANK ASM.				1.00
53	SS6121610SP	SCREW 3/16-28 L=15.5		*		1.00
54	22915151	FEED ARM COMPL.				1.00
55	SS7121610SP	SCREW 3/16-28 L=15.5		*		1.00
56	22913008	FEED ROCKER SHAFT BUSHING				1.00
57	22915359	DRIVING SHAFT CRANK ASM.				1.00
58	SS7111120SP	SCREW 11/64-40 L=10.5		*		1.00
59	22915003	CONNECTING ROD				1.00
60	11206307	FEED REGULATOR PIN				1.00
61	SS6090670TP	SCREW 9/64-40 L=6				2.00
62	11206406	FEED REGULATOR				1.00
63	22911705	FEED REGULATOR BUSHING				1.00

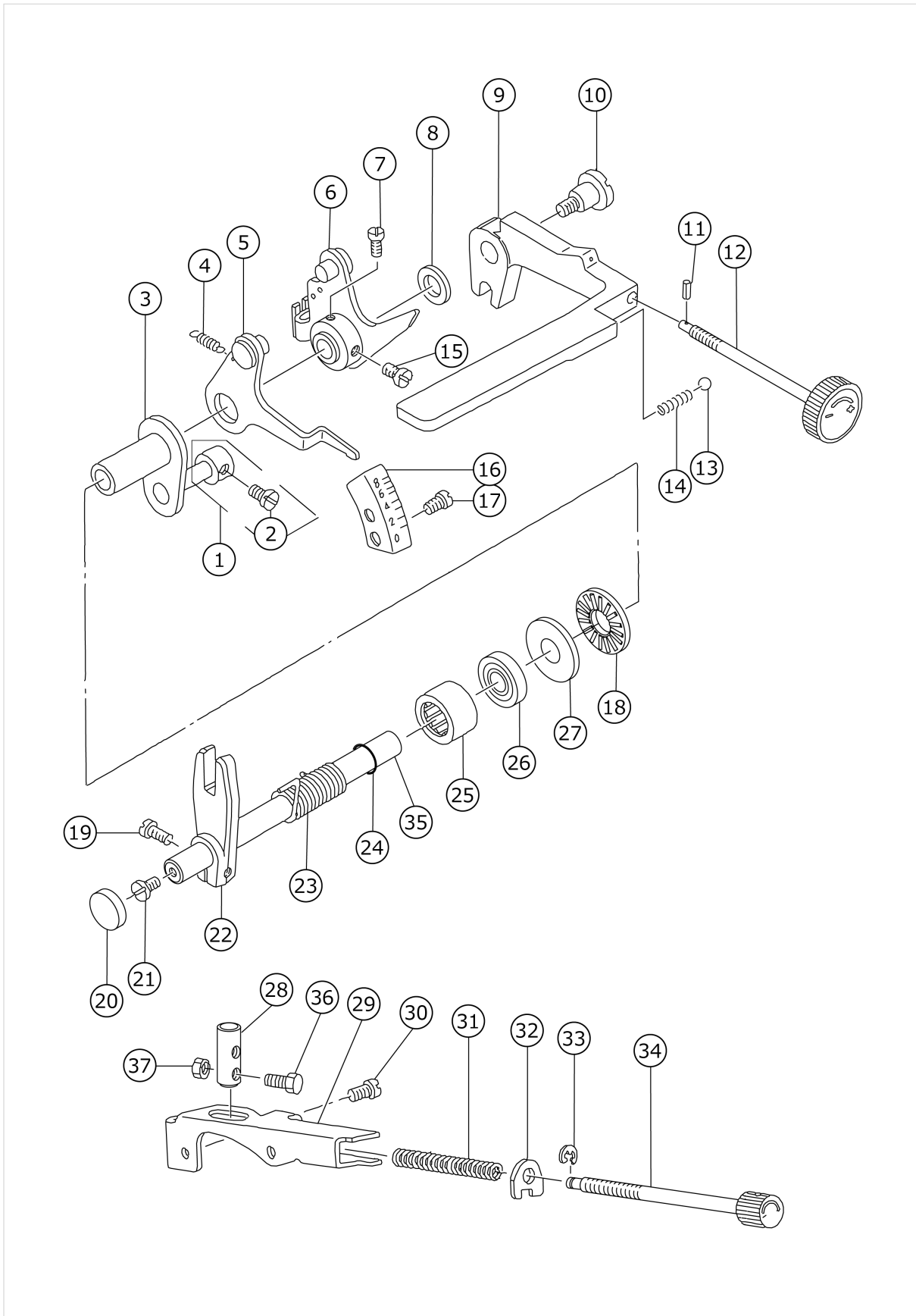
TOP FEED MECHANISM COMPONENTS (1)



No.	品番	品名	備考	子部品	消耗品	個数
1	11216157	WALKING FOOT DRIVING ROD ASM.				1.00
2	B1609804B00	NEEDLE BEARING				1.00
3	11216009	WALKING FOOT DRIVING CAM				1.00
4	NM6040001SD	NUT M4				1.00
5	11216603	DRIVING ARM FRONT				1.00
6	11216702	DRIVING ROLLER				1.00
7	11216801	DRIVING PRESSER ARM				1.00
8	SD0640451TP	HINGE SCREW D=6.35 H=4.5				1.00
9	NS6620310SP	NUT 3/16-32				1.00
10	RE0700000K0	E-RING 7				1.00
11	11216504	DRIVING SHAFT BUSHING				1.00
12	11216405	WALKING FOOT DRIVING SHAFT				1.00
13	SS6090630SP	SCREW 9/64-40 L=6				2.00
14	11210119	THRUST COLLAR				1.00
15	40078218	WALKING FOOT DRIVING ROD ASM.				1.00
16	11210200	WALKING FOOT DRIVING ROD		*		1.00
17	SS7090910TP	SCREW 9/64-40 L= 8.5		*		1.00
18	22911101	WALKING FOOT PIN C		*		1.00
19	SS7110570SP	SCREW 11/64-40 L= 4.8				1.00
20	11214301	ROLLER				1.00
21	11214202	WALING FOOT HORIZONTAL LOWER				1.00
22	11214103	FEED ROCKER SHAFT CRANK LOWER				1.00
23	NS6120310SP	NUT 3/16-28				1.00
24	SS6121220TP	SCREW 3/16-28 L=11.5				1.00
25	SS6121250TP	SCREW 3/16-28 L=11.5				1.00
26	SS8120410SP	SCREW 3/16-28 L=3.8				1.00
27	TA0850604R0	RUBBER PLUG				1.00
28	11214608	FEED ROCKER BAR BUSHING				1.00
29	11214400	FEED ROCKER SHAFT				1.00
30	SS8150410SP	SCREW 15/64-28 L=4				1.00
31	11214756	HORIZONTAL BAR ASM.				1.00
32	11215118	ROLLER				2.00
33	RC0330415KP	SNAP RING				2.00
34	11215019	ROLLER SHAFT				1.00
35	RC0330415KP	SNAP RING				2.00
36	11214806	PIN				1.00
37	11214905	WALKING FOOT MOUNT				1.00
38	B3026490B00	WALKING FOOT B				1.00
39	SS6110610TP	SCREW 11/64-40 L=6				1.00
40	11214509	BUSHING				1.00
41	NS6110310SP	NUT 11/64-40				1.00
42	SS6121220TP	SCREW 3/16-28 L=11.5				1.00
43	11214004	FEED ROCKER SHAFT CRANK UPPER				1.00
44	11211000	ROCK SHAFT BUSHING FRONT				1.00
45	CS120101BSH	THRUST COLLAR ASM.				2.00
46	SS8660410SP	SCREW 1/4-40 L= 4.2		*		4.00
47	SS8120740SP	SCREW 3/16-28 L=7				1.00
48	SS6121220TP	SCREW 3/16-28 L=11.5				1.00
49	SS7090910SP	SCREW 9/64-40 L= 8.5				1.00
50	11210705	WALKING FOOT ARM				1.00

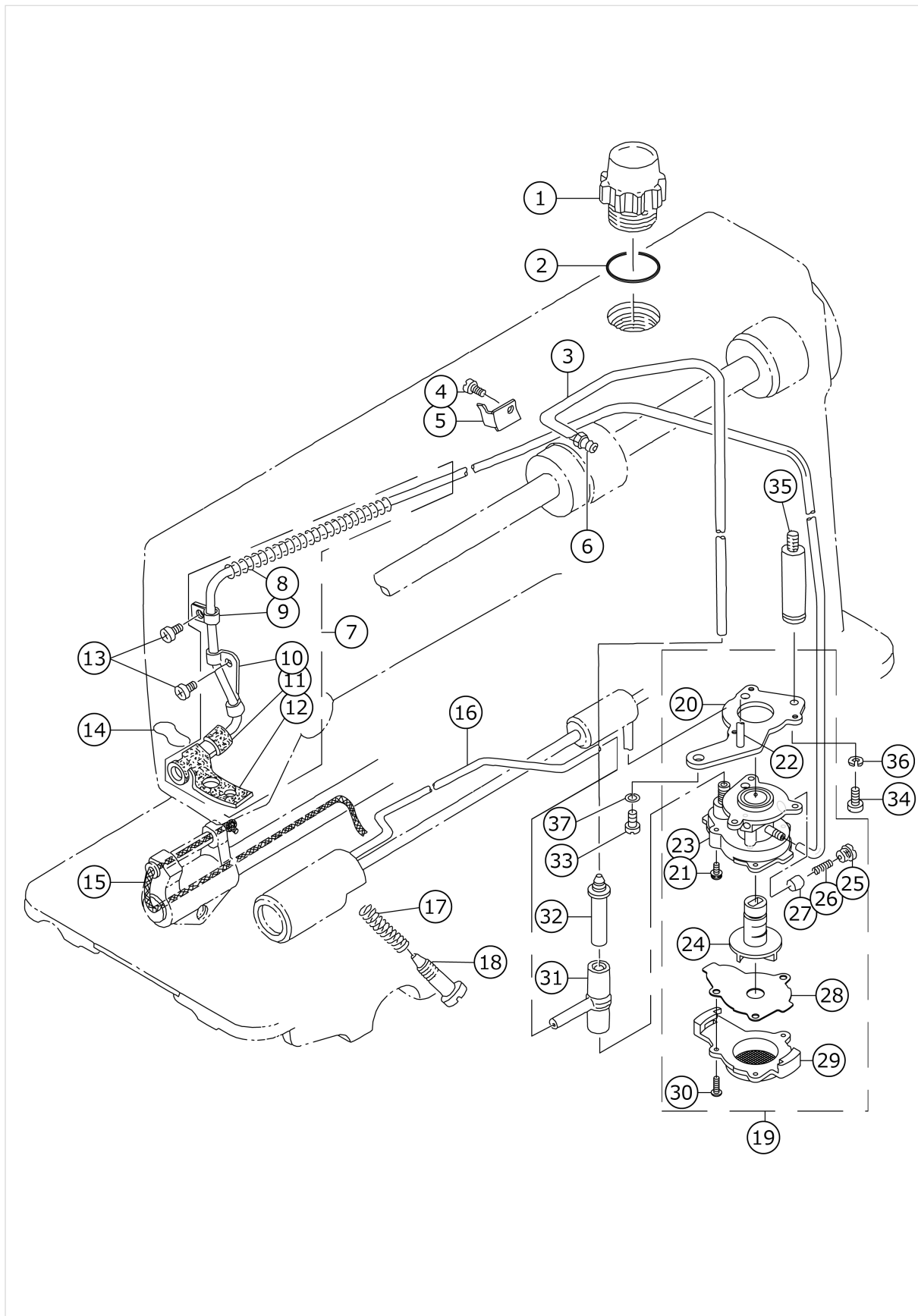
51	11210804	WALKING FOOT ROCK SHAFT				1.00
52	B412352200B	NEEDLE ROLLAR				1.00
53	11210051	LEVEL CAM ASM.				1.00
54	11210002	CAM		*		1.00
55	SS8660530TP	SCREW 1/4-40 L= 4.5		*		2.00
56	SS8120740SP	SCREW 3/16-28 L=7				2.00
57	22910905	WALKING FOOT PIN A				2.00
58	11210325	WALKING FOOT ADJUSTING LINK				1.00
59	SS7090910SP	SCREW 9/64-40 L= 8.5				2.00
60	11210507	WALKING FOOT FULCRUM SHAFT A				1.00
61	11210408	WALKING FOOT ADJUSTING PIN				1.00
62	NS6620310SP	NUT 3/16-32				1.00
63	11210614	FULCRUM SHAFT B				1.00
64	11210903	ROCK SHAFT BUSHING REAR				1.00
65	11216306	DRIVING ARM REAR				1.00
66	SS6121220TP	SCREW 3/16-28 L=11.5				1.00
67	B3016450000A	PIN				1.00
68	11213311	ADJUSTING LINK STOPPER PLATE				1.00
69	SS7110910TP	SCREW 11/64-40 L= 8.5				2.00
70	SS7111410TP	SCREW 11/64-40 L=14				1.00
71	11008703	WALKING FOOT LINK				4.00
72	22911002	WALKING FOOT PIN B				1.00

TOP FEED MECHANISM COMPONENTS (2)



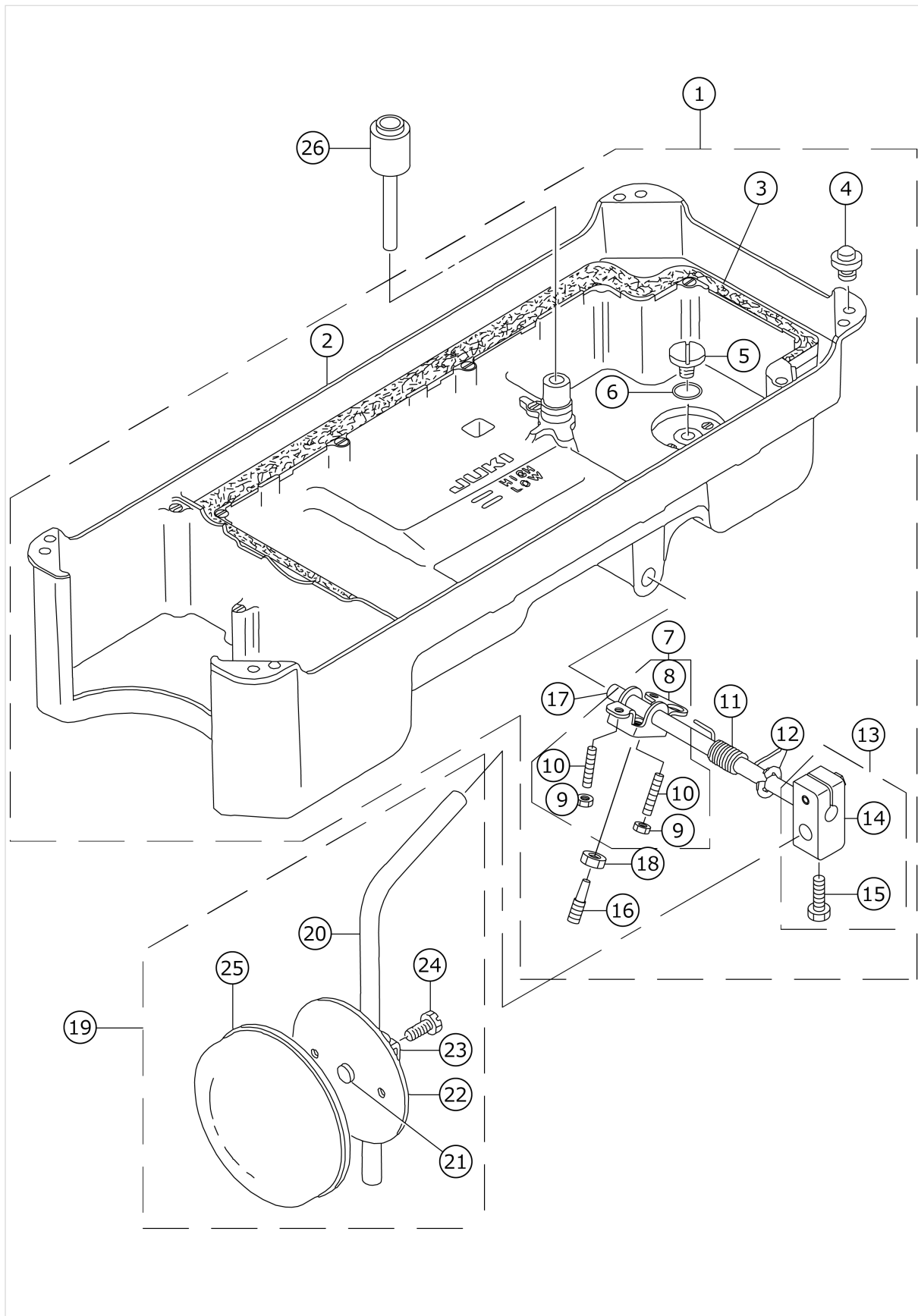
No.	品番	品名	備考	子部品	消耗品	個数
1	CS070061ASD	THRUST COLLAR ASM.				1.00
2	SS6090510SP	SCREW 9/64-40 L=5		*		1.00
3	11206653	REVERSE FEED BUSHING ASM.				1.00
4	11212909	STOPPER INDICATOR SPRING				1.00
5	11212156	STOPPER INDICATOR ASM.				1.00
6	11211455	WALKING FOOT LEVER COLLAR ASM.				1.00
7	SS6110820TP	SCREW 11/64-40 L=8				1.00
8	WP0600816SP	WASHER				1.00
9	11256708	REVERSE FEED CONTROL LEVER				1.00
10	SD1000701TP	HINGE SCREW D=10 H=7				1.00
11	PS0150065KP	SPRING PIN 1.5X6				1.00
12	11211851	ADJUSTING SHAFT ASM.				1.00
13	B3037470000	BALL				1.00
14	B2920490000	SPRING				1.00
15	SS6111030TP	SCREW 11/64-40 L=9.7				1.00
16	11213006	WALKING FOOT GRADUATION PLATE				1.00
17	SS4120615SP	SCREW 3/16-28 L=6				2.00
18	B1211980000	UPPER SHAFT THRUST BEARING				1.00
19	SS6121250TP	SCREW 3/16-28 L=11.5				1.00
20	TA1750502R0	RUBBER PLUG D=17.5 L=5				1.00
21	SS7620750SP	SCREW 3/16-32 L= 6.5				1.00
22	11211109	WALKING FOOT ADJUSTING ARM				1.00
23	11211307	ADJUSTING LINK SPRING				1.00
24	RO069180100	RUBBER RING				1.00
25	B1644490000	NEEDLE BEARING				1.00
26	B1641490000	OIL SEAL				1.00
27	B1242980000	THRUST WASHER SMALL				1.00
28	11212610	STOPPER PIN				1.00
29	11212206	STOPPER BASE				1.00
30	SS4120615SP	SCREW 3/16-28 L=6				2.00
31	11212701	STOPPER SPRING				1.00
32	11212800	STOPPER WASHER				1.00
33	RE0320000K0	E-RING 3.2				1.00
34	11212354	STOPPER SCREW ASM.				1.00
35	11211208	WALKING FOOT LEVER SHAFT				1.00
36	SS9111113TP	SCREW 11/64-40 L=11				1.00
37	NS6110310SP	NUT 11/64-40				1.00

OIL LUBRICATION COMPONENTS



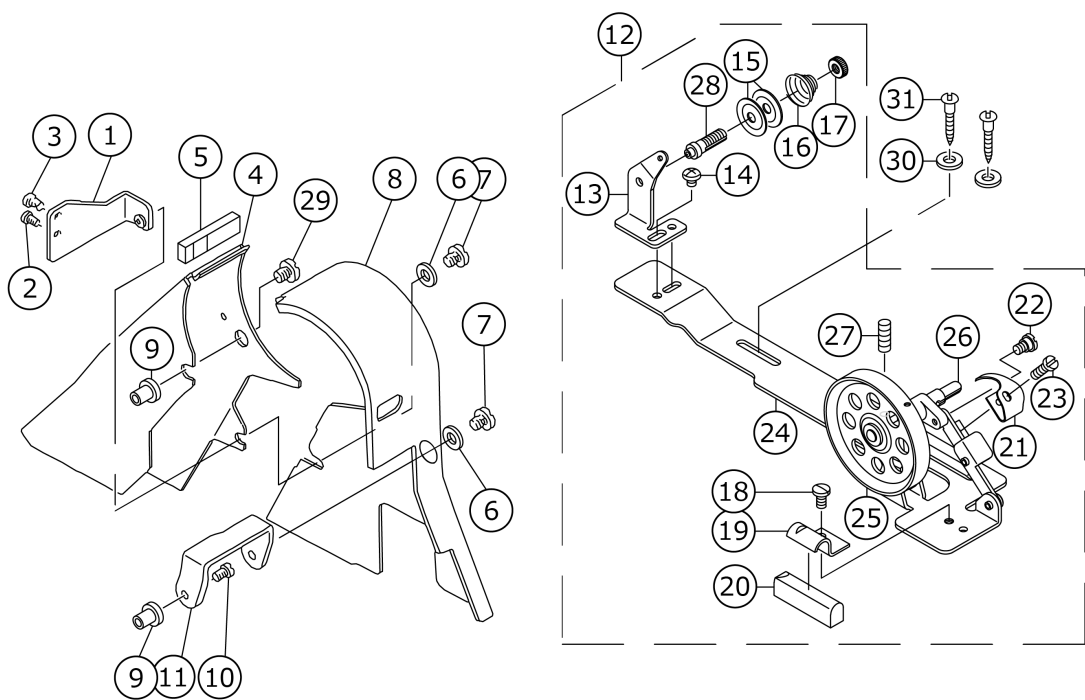
No.	品番	品名	備考	子部品	消耗品	個数
1	22924708	OIL SIGHT WINDOW				1.00
2	RO195240100	RUBBER RING				1.00
3	BT0600402EA	OIL TUBE				0.30
4	SS6080340SP	SCREW 1/8-44 L=2.9				1.00
5	11222007	HOLDER				1.00
6	SQ1150501SD	CONNECTING SCREW				1.00
7	11221652	OIL TUBE ASM.				1.00
8	B3404122000	SPRING		*		1.00
9	B3536122000	HOLDER		*		1.00
10	11221801	HOLDER A		*		1.00
11	11221702	FELT B		*		1.00
12	11221603	FELT A		*		1.00
13	SS4120615SP	SCREW 3/16-28 L=6				2.00
14	11221900	OIL FELT PRESSER				1.00
15	CQ252000000	OIL WICK				0.30
16	22924500	HOOK OIL TUBE				1.00
17	22924906	OIL REGULATOR SCREW SPRING				1.00
18	22925002	OIL REGULATOR SCREW				1.00
19	22923056	OIL PUMP ASM.				1.00
20	22923312	OIL PUMP INSTALLING BASE		*		1.00
21	SL4030851SF	SCREW M3 L=8		*		3.00
22	22923908	HOOK DRIVING SHAFT OILING PIPE		*		1.00
23	22923015	OIL PUMP		*		1.00
24	22923700	IMPELLER		*		1.00
25	22923502	PLUNGER SCREW		*		1.00
26	22923601	PLUNGER SPRING		*		1.00
27	22923403	PLUNGER		*		1.00
28	22923809	PUMP BODY SUPPORT PLATE		*		1.00
29	22923205	PUMP BODY COVER		*		1.00
30	SE4301041SR	SCREW D=3 L=10		*		3.00
31	22924609	RUBBER JOINT				1.00
32	11221504	OIL TUBE JOINT				1.00
33	SS4150915SP	SCREW 15/64-28 L=9				1.00
34	SS6111010TP	SCREW 11/64-40 L= 9.5				1.00
35	22924005	PUMP BODY STRUT				1.00
36	WS0451040KP	SPRING WASHER 4.5X8.5X1				1.00
37	WS0651310KP	SPRING WASHER 6.5X11X1.3				1.00

OIL RESERVOIR COMPONENTS



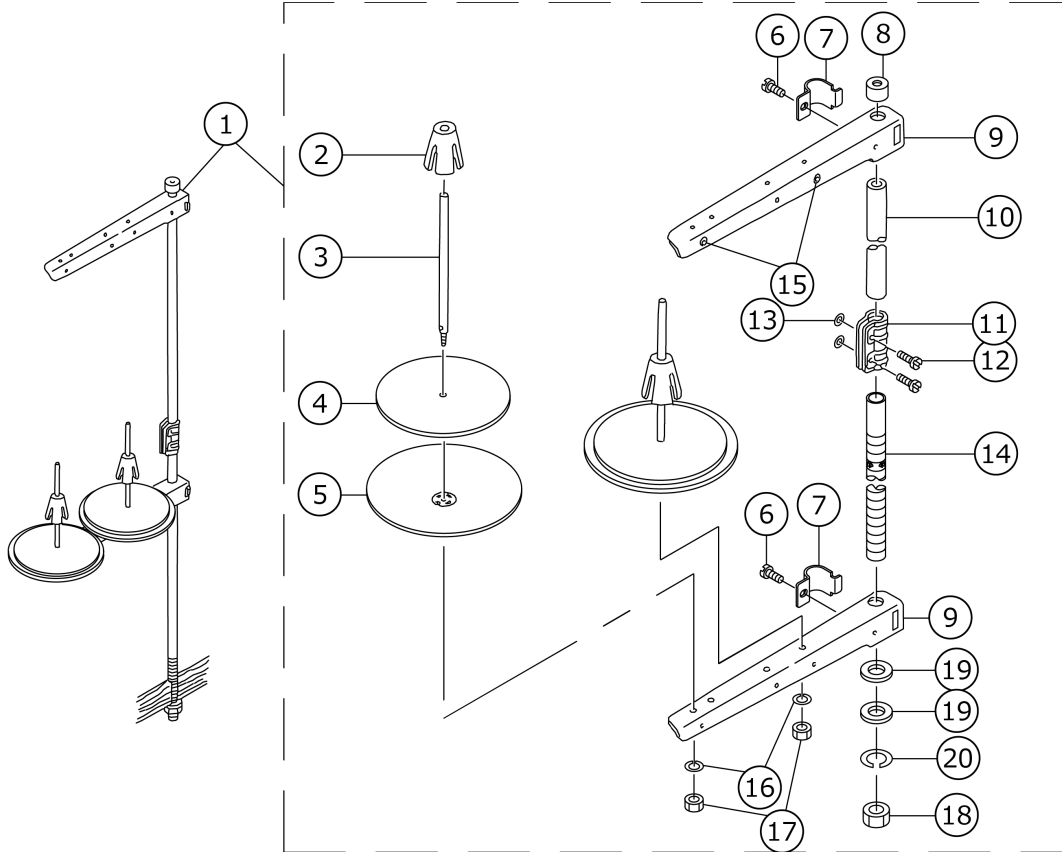
No.	品番	品名	備考	子部品	消耗品	個数
1	11047057	OIL RESERVOIR ASM.				1.00
2	11023017	OIL RESERVOIR		*		1.00
3	11024700	GASKET		*		1.00
4	11047107	RUBBER CUSHION		*		4.00
5	SS6700710SH	SCREW 5/16-24 L=7		*		1.00
6	RO098240100	RUBBER RING		*		1.00
7	22932156	KNEE LIFTER ROTATION ARM ASM.		*		1.00
8	22932107	KNEE LIFTER ROTATION ARM		*		1.00
9	NM6060001SE	NUT M6		*		2.00
10	SM8063012TR	SCREW M6 L=30		*		2.00
11	22932206	SPRING		*		1.00
12	RE1000000K0	E-RING 10		*		1.00
13	22932453	BRACKET ASM.		*		1.00
14	22932404	BRACKET		*		1.00
15	22934707	BRACKET SCREW		*		2.00
16	40101720	SCREW_M6		*		1.00
17	22932305	KNEE PRESS CROSS SHAFT		*		1.00
18	NM6060001SE	NUT M6		*		1.00
19	11023751	KNEE PRESS PLATE ASM.				1.00
20	B3419122000	KNEE LIFTER PLATE ROD		*		1.00
21	11024403	RUBBER		*		1.00
22	11023702	KNEE PRESS PLATE		*		1.00
23	11023801	KNEE PRESS PLATE HOLDER		*		1.00
24	SM9061203SE	SCREW M6 L=12		*		1.00
25	B3431552000A	KNEE PRESS PLATE COVER		*		1.00
26	11024304	KNEE PRESS LIFTER ROD				1.00

BELT COVER & BOBBIN WINDER COMPONENTS



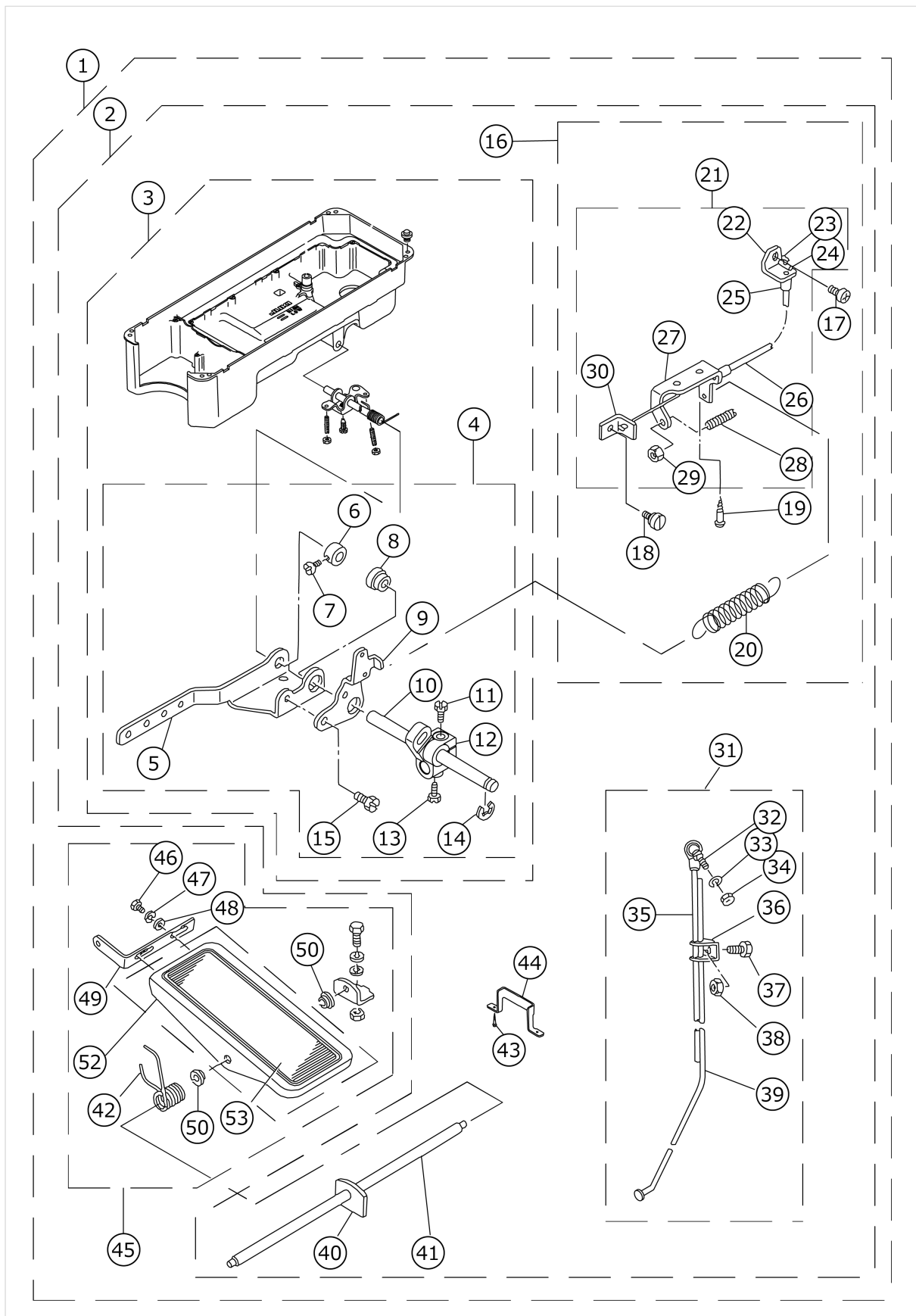
No.	品番	品名	備考	子部品	消耗品	個数
1	11222601	BELT COVER STAY A				1.00
2	SS4120915SP	SCREW 3/16-28 L=9				1.00
3	SS4150915SP	SCREW 15/64-28 L=9				1.00
4	11258308	BELT COVER A				1.00
5	11222908	COVER FELT				1.00
6	WP0480856SP	WASHER 4.8X8.4X0.8				2.00
7	SS7110710SP	SCREW 11/64-40 L=7				2.00
8	11258407	BELT COVER B				1.00
9	11023603	BELT COVER COLLAR				2.00
10	SS7701510SP	SCREW 5/16-24 L=15				1.00
11	11222700	BELT COVER STAY B				1.00
12	22927354	BOBBIN WINDER COMPL.				1.00
13	22928501	THREAD TENSION POST BASE		*		1.00
14	SS4110515SP	SCREW 11/64-40 L=5		*		1.00
15	22928907	THREAD TENSION DISK		*		2.00
16	22929004	THREAD TENSION SPRING		*		1.00
17	22928808	NUT		*		1.00
18	SS7110350SP	SCREW 11/64-40 L=3.5		*		1.00
19	22928402	CONTROL RUBBER HOLDING PLATE		*		1.00
20	22928303	CONTROL RUBBER		*		1.00
21	22928105	BOBBIN PRESSER		*		1.00
22	SD0490261SP	HINGE SCREW D=4.9 H=2.6		*		1.00
23	SS7081310SP	SCREW 1/8-44 L=12.5		*		1.00
24	22927305	BOBBIN WINDER BASE		*		1.00
25	22927404	BOBBIN WINDER		*		1.00
26	22927602	BOBBIN WINDER SPINDLE		*		1.00
27	SS8110510SP	SCREW 11/64-40 L=5		*		1.00
28	22928709	THREAD TENSION POST		*		1.00
29	SS7701010SP	SCREW 5/16-24 L=10				1.00
30	WP0450826SC	WASHER 4.5X10X0.8				2.00
31	SK3412000SC	WOOD SCREW D=4.1 L=20				2.00

THREAD STAND COMPONENTS



No.	品番	品名	備考	子部品	消耗品	個数
1	22930358	THREAD STAND ASM.				1.00
2	22931109	SPOOL RETAINER		*		2.00
3	22931000	SPOOL PIN		*		2.00
4	22930903	SPOOL REST CUSHION		*		2.00
5	22930804	SPOOL REST		*		2.00
6	SM6061610SC	SCREW M6 L=16		*		2.00
7	22930705	THREAD GUIDE ARM JOINT		*		2.00
8	22931406	SPOOL REST ROD RUBBER CAP		*		1.00
9	22930507	SPOOL REST ARM		*		2.00
10	22930408	SPOOL REST ROD UPPER		*		1.00
11	22931307	SPOOL REST ROD JOINT		*		1.00
12	SM4051405SE	SCREW M5 L=14		*		2.00
13	NM6050001SE	NUT M5		*		2.00
14	22930309	SPOOL REST ROD LOWER		*		1.00
15	22931208	THREAD GUIDE		*		2.00
16	WS0510002KN	SPRING WASHER		*		2.00
17	NM6050001SE	NUT M5		*		2.00
18	NM6160511SE	NUT M16X1.5		*		1.00
19	WP1612616SE	WASHER 16.1X30X2.6		*		2.00
20	WS1643202KR	SPRING WASHER		*		1.00

PF-6: PEDAL/KNEE PRESSER-CONTROLLED GATHERING MECHANISM (SPECIAL ORDER PARTS)



No.	品番	品名	備考	子部品	消耗品	個数
1	GPF060200B0	PF-6: MECHANISH ASM. B				1.00
2	GPF060200A0	PF-6: MECHANISH ASM. A		*		1.00
3	11245156	OIL RESERVOIR		*		1.00
4	GPF070500A0	GATHERING MECHANISM		*		1.00
5	11245305	PEDAL CONNECTING ARM		*		1.00
6	CS1111019SH	THRUST COLLAR D=11.11 W=10		*		1.00
7	SS8660530TP	SCREW 1/4-40 L= 4.5		*		4.00
8	GPF01012000	SLEEVE		*		1.00
9	11245404	DRIVING ARM		*		1.00
10	11245206	KNEE PRESSER LIFTING SHAFT		*		1.00
11	SS9151540SR	SCREW 15/64-28 L=15		*		1.00
12	22983902	FITTING ARM		*		1.00
13	SS9151160CP	SCREW 15/64-28 L=10.5		*		1.00
14	RE1000000K0	E-RING 10		*		1.00
15	SS9661120CP	SCREW 1/4-40 L=10.5		*		1.00
16	GPF060300BA	WIRE ASM.		*		1.00
17	SS4120915SP	SCREW 3/16-28 L=9		*		1.00
18	SD0640241SP	HINGE SCREW D= 6.35 H= 2.4		*		1.00
19	SK3482500SC	WOOD SCREW D=4.8 L=25		*		2.00
20	B3417552000	LIFTING LEVER LINK SPRING		*		1.00
21	11245552	WIRE ASM.		*		1.00
22	11245701	WIRE TUBE SUPPORT PLATE		*		1.00
23	GPF01005000	WIRE STOPPER		*		2.00
24	GPF01004000	WIRE ROLL PIN		*		1.00
25	GPF01003000	WIRE TUBE GUIDE		*		2.00
26	GPF01002000	WIRE TUBE		*		1.00
27	11245602	STOPPER		*		1.00
28	SS8153010SR	SCREW 15/64-28 L=30		*		1.00
29	NS6150430SP	NUT 15/64-28		*		1.00
30	GPF01008000	WIRE SUPPORTER		*		1.00
31	GPF010150C0	CONNECTING ROD ASM.		*		1.00
32	D7117555BA0	JOINT BAR A ASM.		*		1.00
33	WS0641560KR	SPRING WASHER 6.4X11.9X1.5		*		1.00
34	NM6060001SE	NUT M6		*		1.00
35	D7115555B0B	CONNECTING ROD (B)		*		1.00
36	B7114012000	MOTOR CONNECTING ROD		*		1.00
37	SM9081423SE	SCREW M8 L=14		*		1.00
38	NM6080721SE	NUT M8		*		1.00
39	GPF01015000	CONNECTING ROD LOWER		*		1.00
40	GPF06017000	PEDAL SHAFT BRACKET		*		1.00
41	GPF01016000	PEDAL SHAFT		*		1.00
42	11245800	SPRIG		*		1.00
43	SK3311600SB	WOOD SCREW D=3.1 L=16		*		2.00
44	GPF01011000	WIRE TUBE GUIDE		*		1.00
45	GPF060600B0	PEDAL ASM.		*		1.00
46	SM9061203SE	SCREW M6 L=12		*		2.00
47	WS0621210KR	SPRING WASHER 6.2X11.4X1.2		*		2.00
48	WP0671016SE	WASHER 6.7X13X1		*		2.00
49	GPF06080000	PEDAL ADJUSTING PLATE		*		1.00
50	D8113555B00	PEDAL BUSHING		*		2.00

51	GPF060600A0	PEDAL ASM.		*		1.00
52	GPF06060000	PEDAL		*		1.00
53	GPF06070000	PEDAL MAT		*		1.00

HOW TO MAKE USE OF THIS PARTS LIST

1.Explanation of codes

1)"*"mark.....means this part is changed from the previous parts book.

As to the details of the change, refer to the "List for information of change".

2)"#01".....refer to "Note" explanation at bottom of page.

2.Codes on the "Qty" column

· Each numeral indicates the number of parts required.

· "0.1" and "2.5" indicate the length (in meters) of the respective parts.

3.Parentheses mean that the corresponding part is a subpart that constructs an assembly part.

4.Dotted lines on the Figures indicate assembly parts.

1."注記"欄の記号説明

1) "*"印.....前回のパーツブックに比較して今回変更された部品を意味します。

変更内容は、"変更情報リスト"を参照してください。

2) "#01".....ページ下の"注記"の説明を参照してください。

2.数量欄の数字は、個数を表し、0.1、2.5等の数値は、長さ（単位メートル）を表します。

3.数量欄の（ ）は、組部品を構成している子部品であることを意味します。

4.イラストページの-----枠は、組構成であることを意味します。